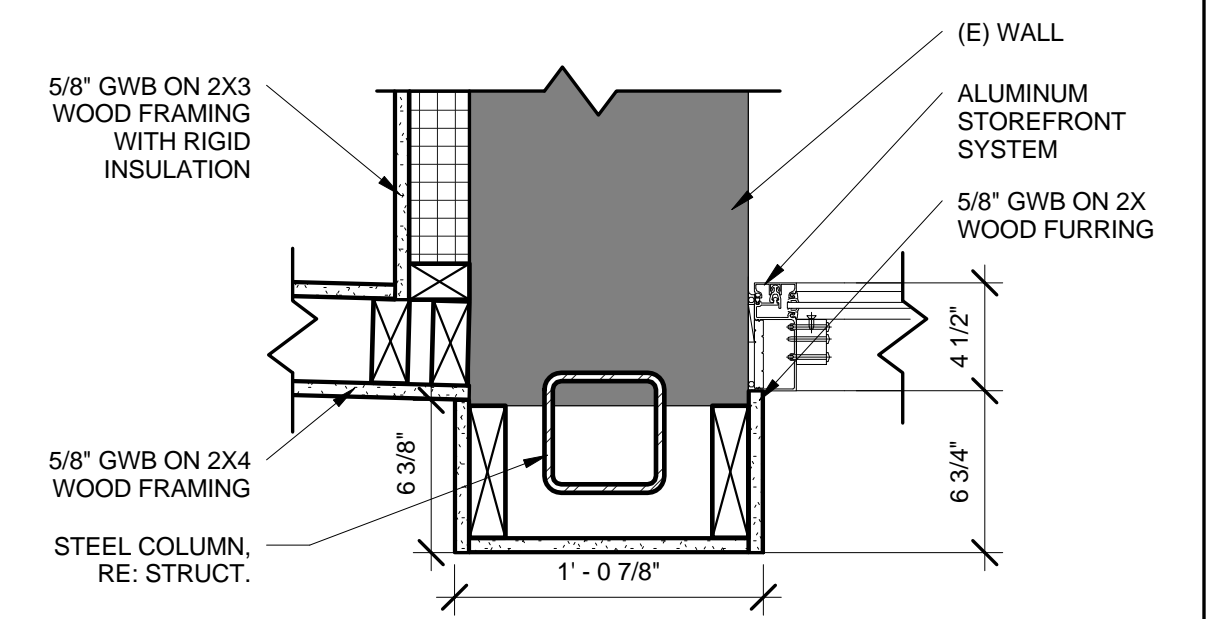




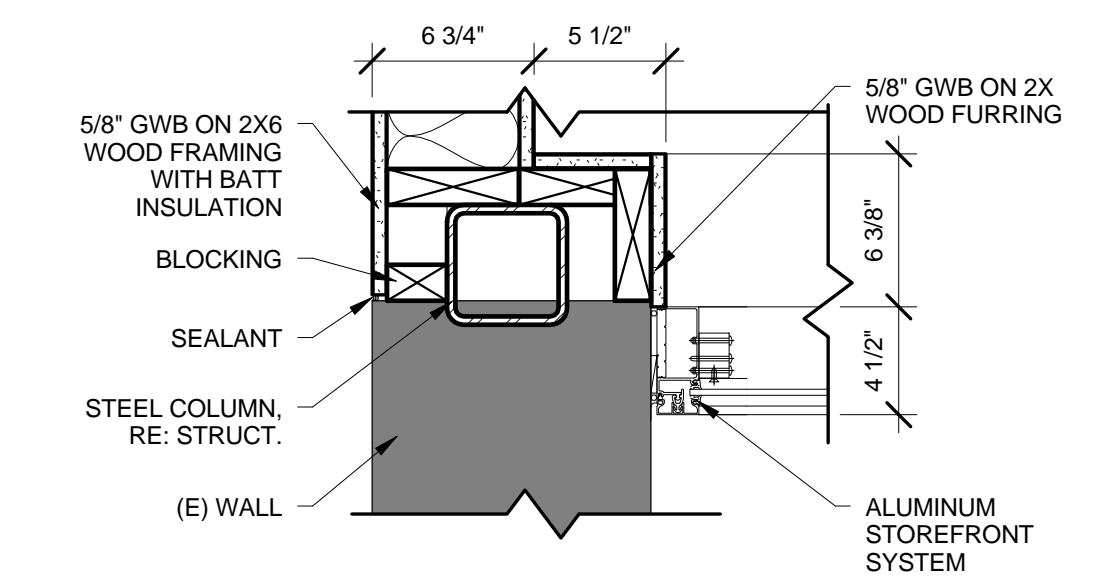
49 DARTMOUTH STREET  
 PORTLAND, MAINE 04101  
 207-775-1059  
 www.pdtarchts.com

**COPYRIGHT**  
 PDT Architects  
 Reuse or reproduction of the  
 contents of this document is not  
 permitted without written  
 permission of PDT Architects.

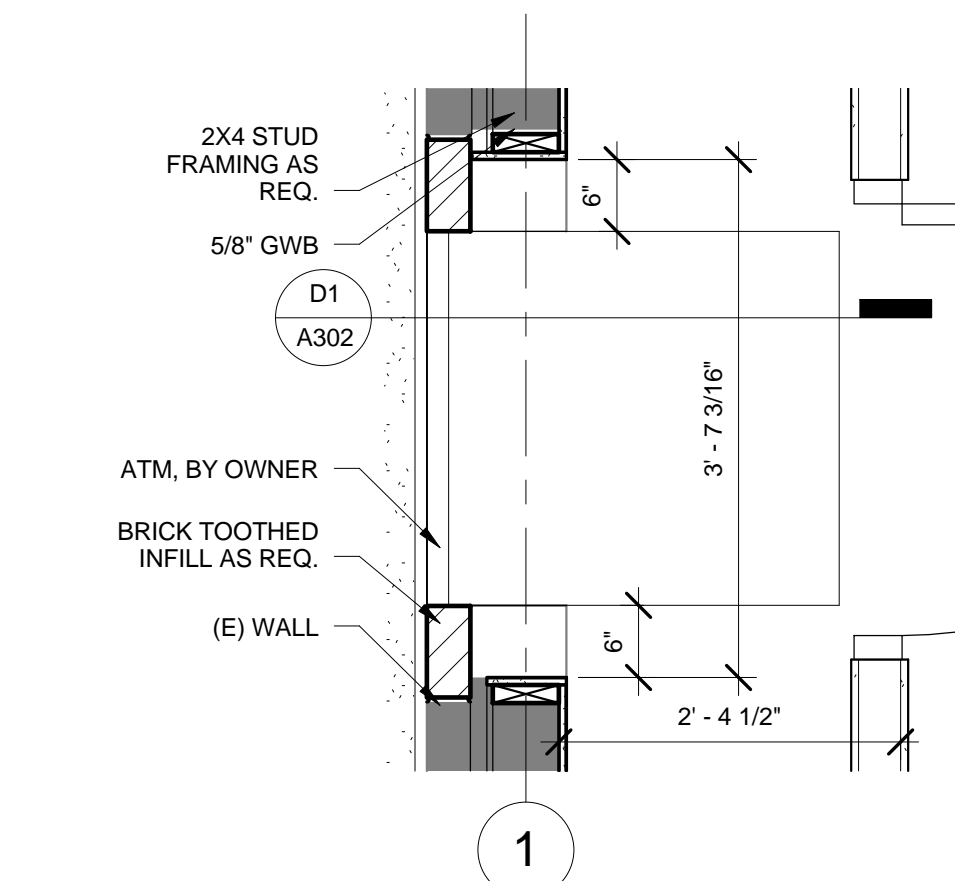
TruChoice FCU - 272 Park Avenue  
 272 Park Ave  
 Portland Maine 04041



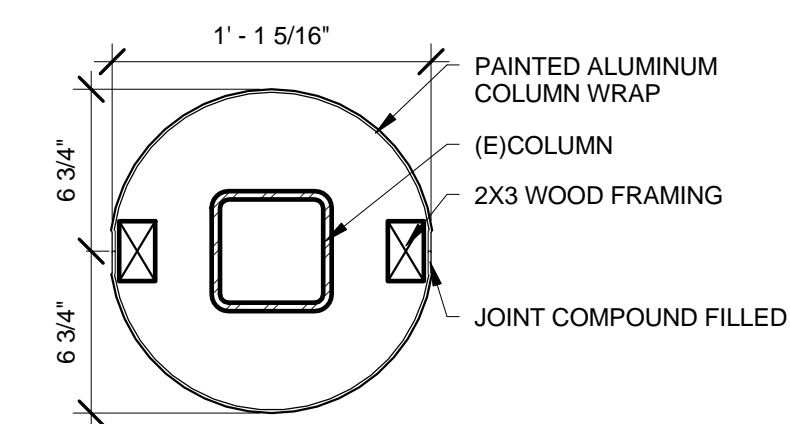
**D1** INTERIOR WALL AND ALUMINUM STOREFRONT @ EXISTING WALL  
 1 1/2" = 1'-0"



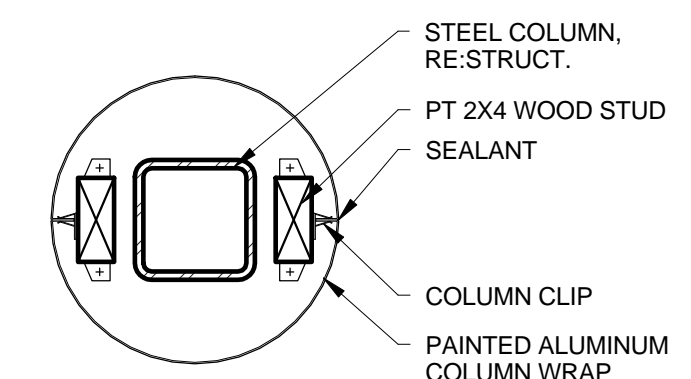
**C1** INFILL WALL AND ALUMINUM STOREFRONT @ EXISTING WALL  
 1 1/2" = 1'-0"



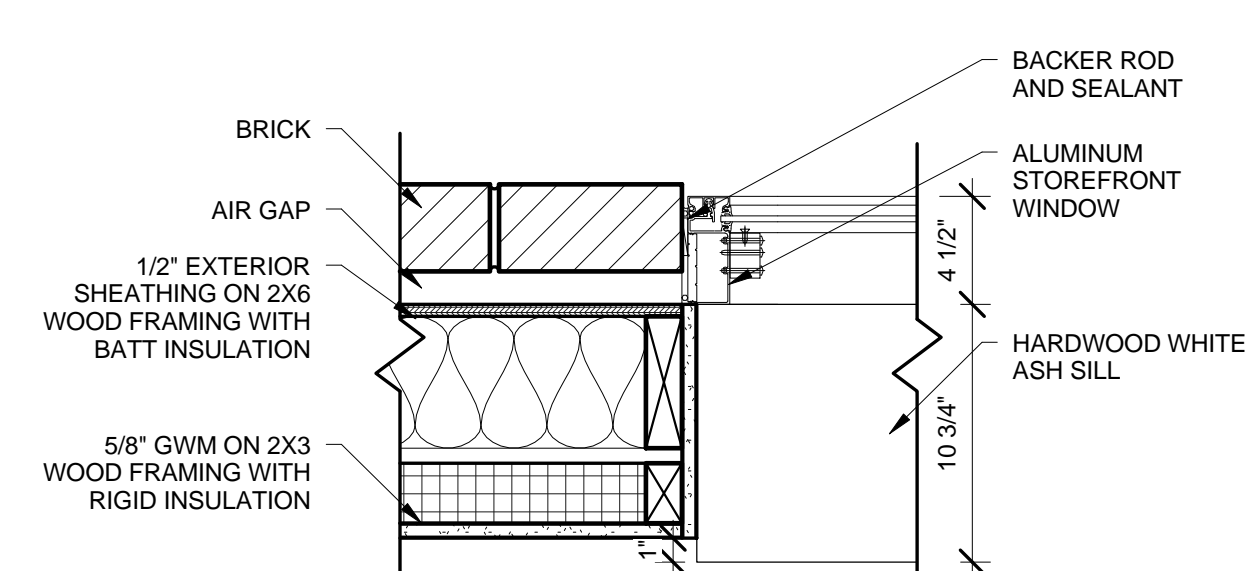
**C2** PLAN DETAIL @ DRIVE-THRU ATM  
 3/4" = 1'-0"



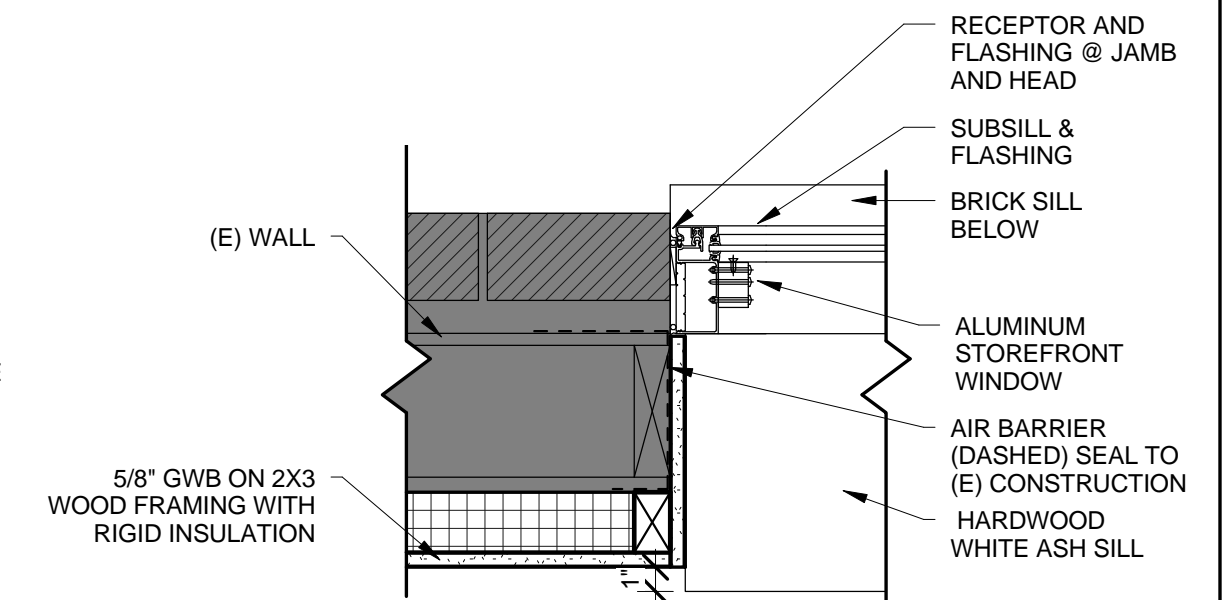
**B2** INTERIOR COLUMN WRAP  
 1 1/2" = 1'-0"



**B1** EXTERIOR COLUMN WRAP  
 1 1/2" = 1'-0"



**A2** WINDOW @ INFILL WALL  
 1 1/2" = 1'-0"



**A1** WINDOW @ EXISTING WALL  
 1 1/2" = 1'-0"

JOB NO.  
12042

DRWN. Author  
CHK. Checker

SCALE:  
As indicated

ISSUE  
04/26/2013

TITLE  
PLAN DETAILS

SHEET  
A403