



49 DARTMOUTH STREET
PORTLAND, MAINE 04101
207-775-1059
www.pdtarch.com

COPYRIGHT
PDT Architects
Reuse or reproduction of the
contents of this document is not
permitted without written
permission of PDT Architects.

TruChoice FCU - 272 Park Avenue
272 Park Ave
Portland Maine 04041

JOB NO.
12042

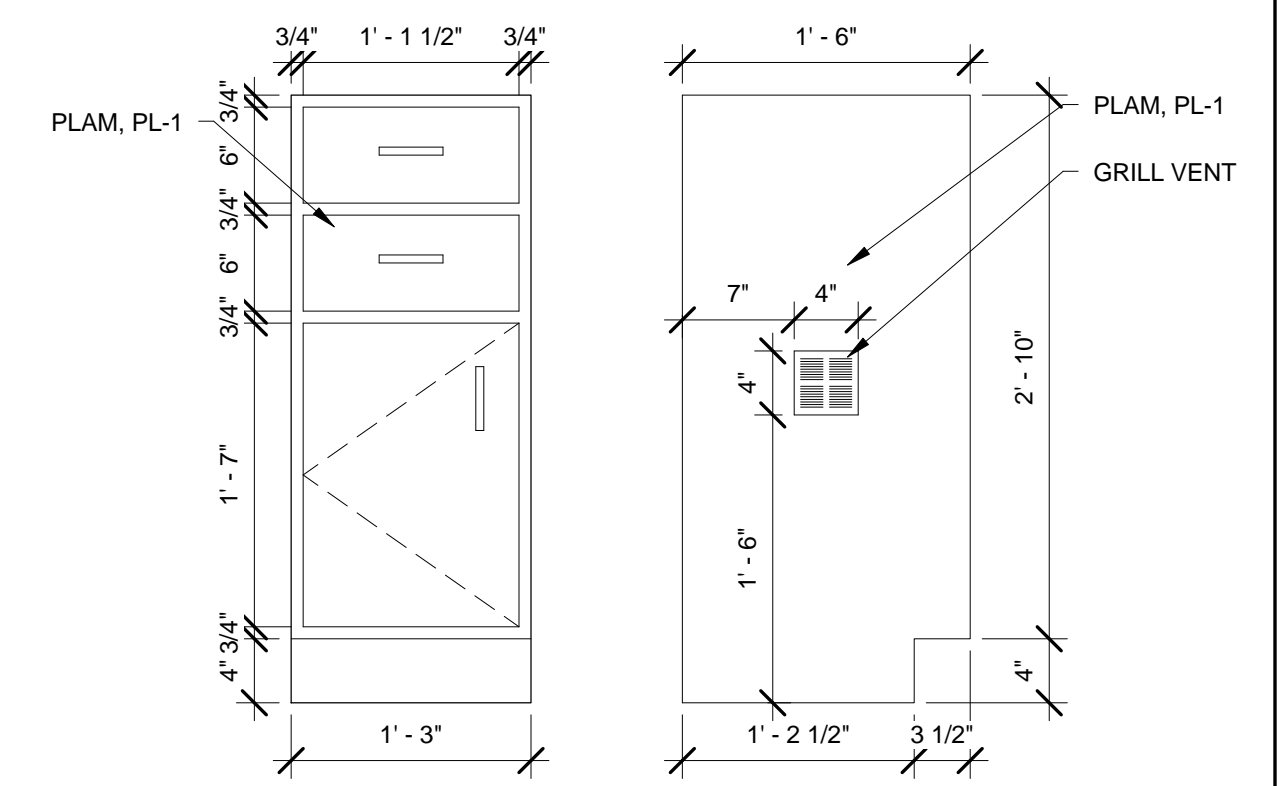
DRWN. JRB
CHK. BMC

SCALE:
As indicated

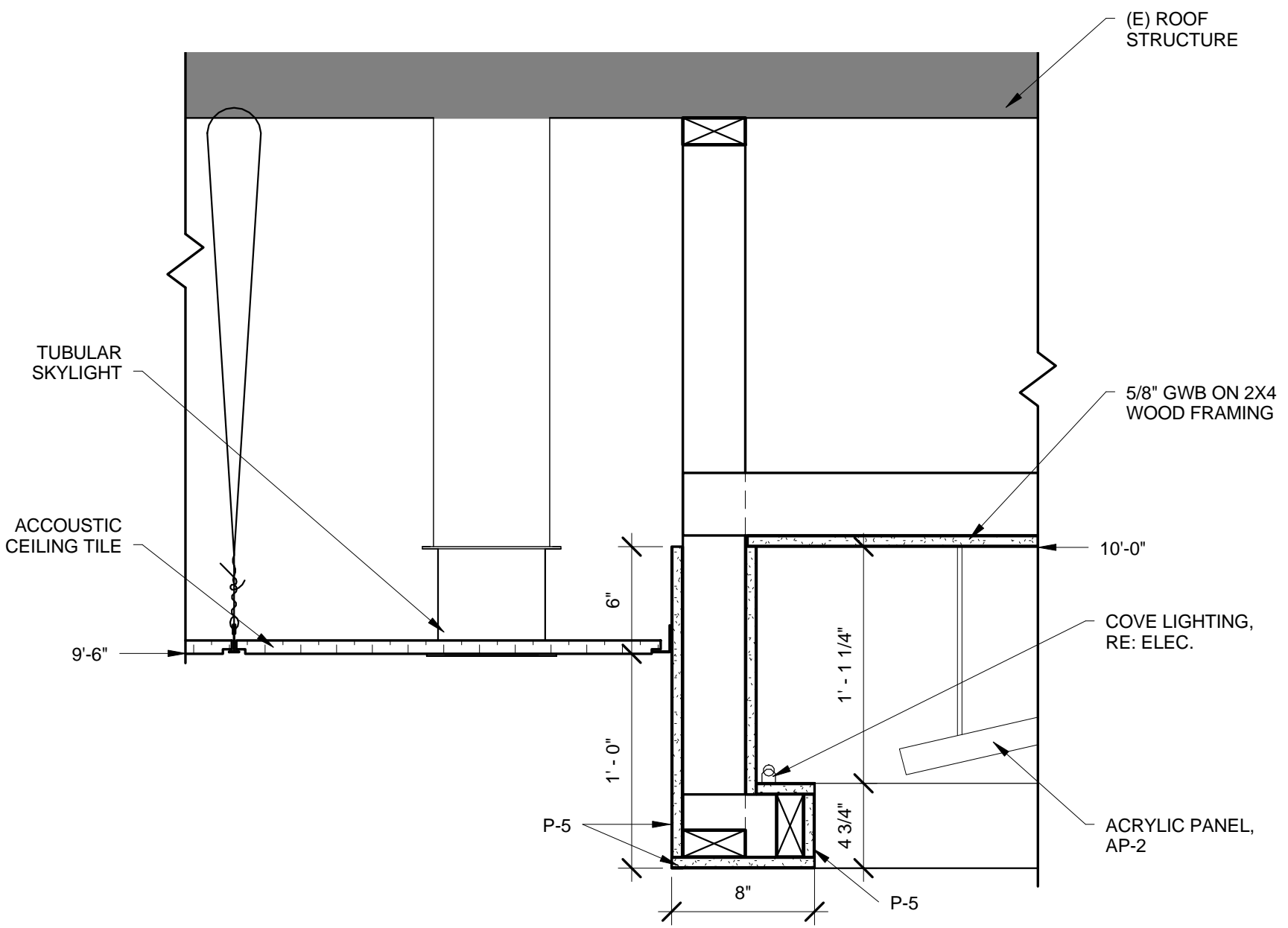
ISSUE
04/26/2013

TITLE
INTERIOR DETAILS

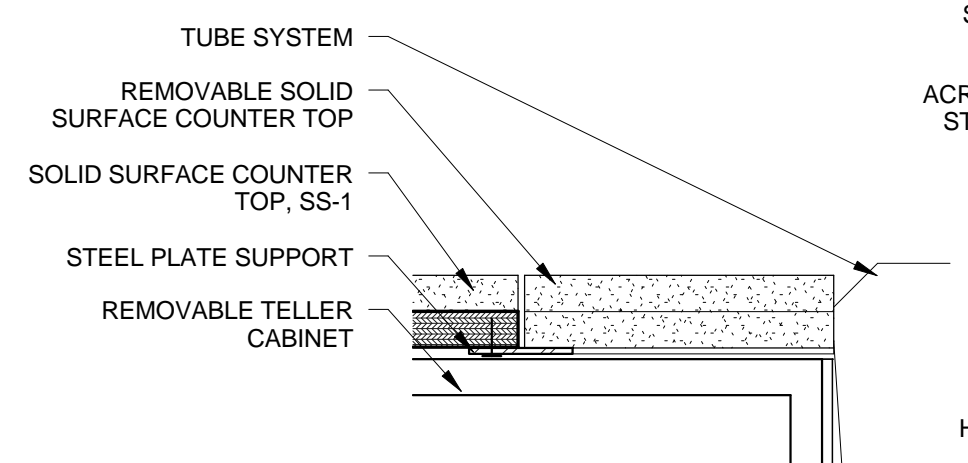
SHEET
A402



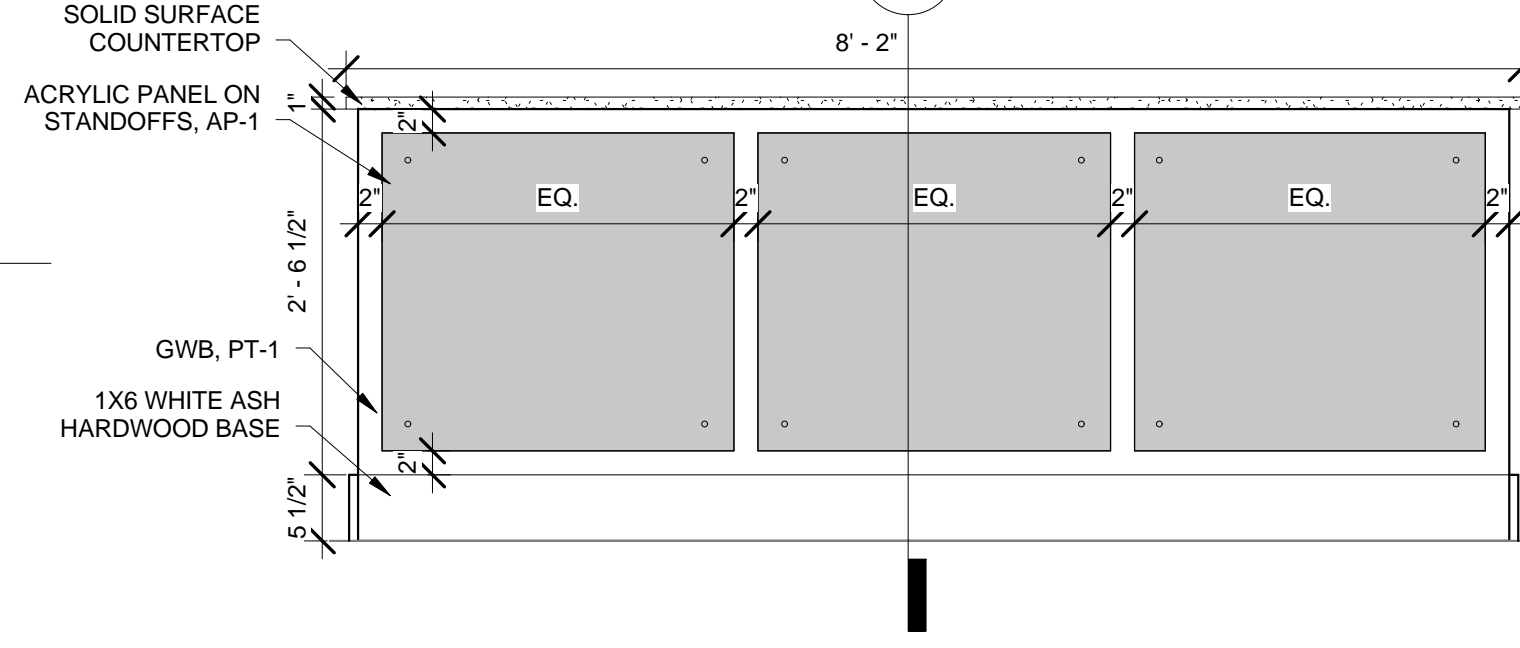
D1 TYP. TELLER CABINET
1" = 1'-0"



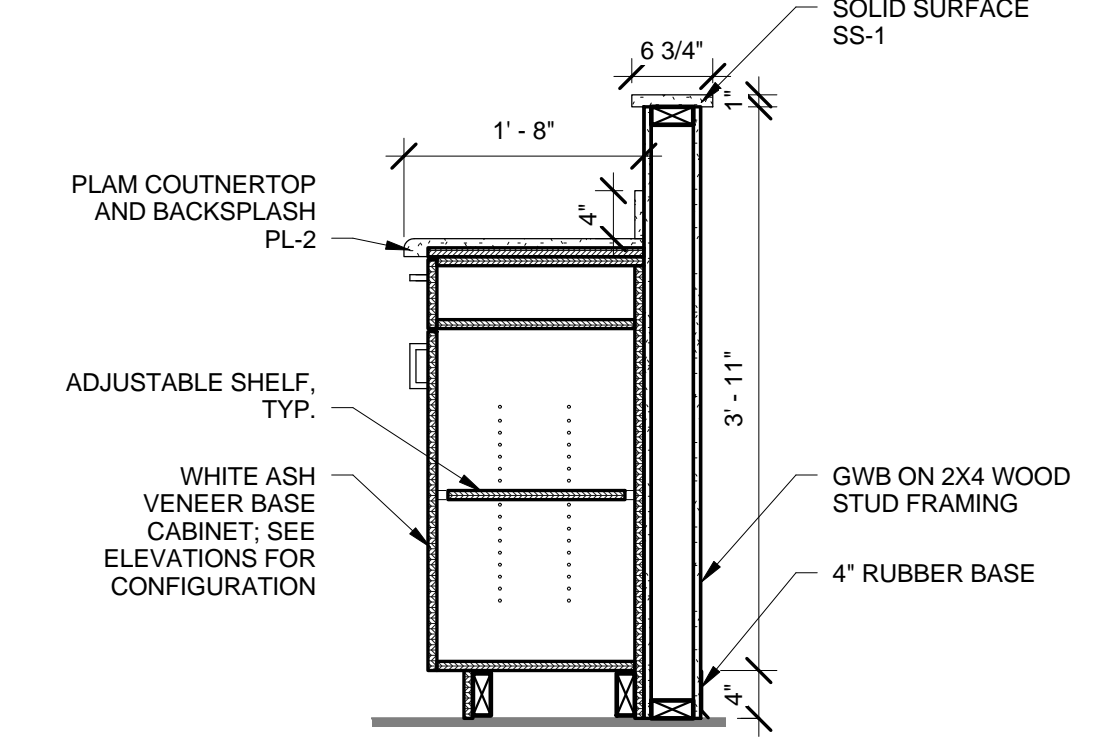
D5 SECTION DETAIL @ COVE
1 1/2" = 1'-0"



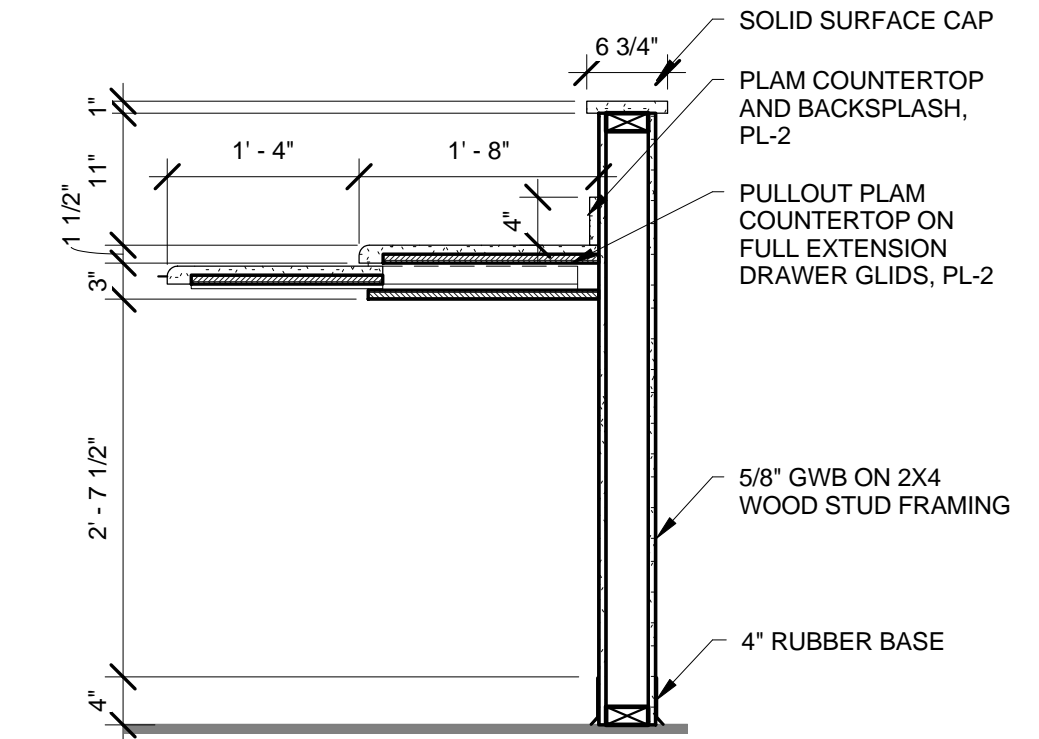
C3 SECTION @ REMOVABLE COUNTERTOP
3" = 1'-0"



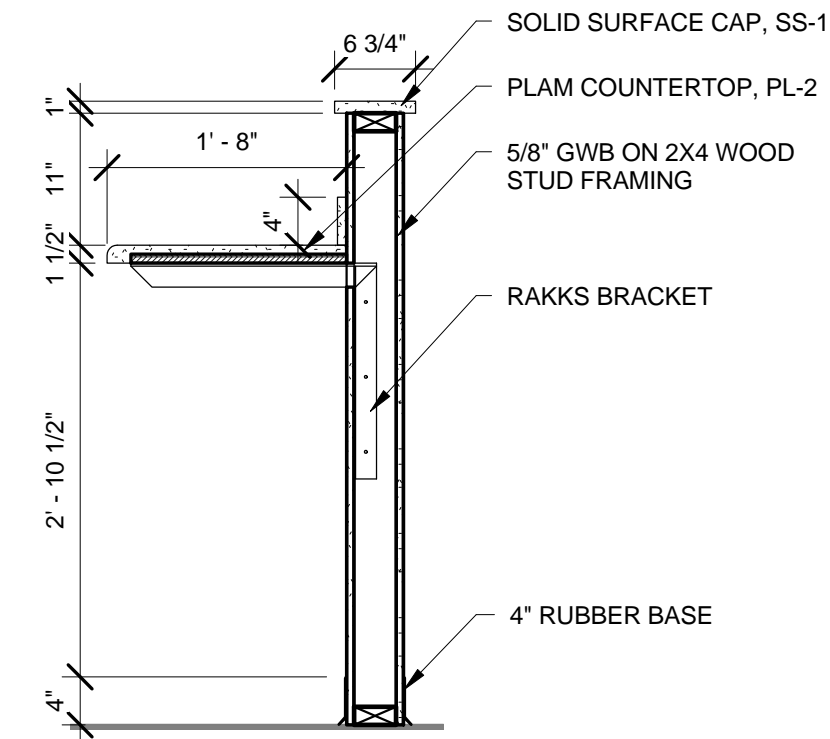
C2 ELEVATION - CHECK WRITING STAND BACK
3/4" = 1'-0"



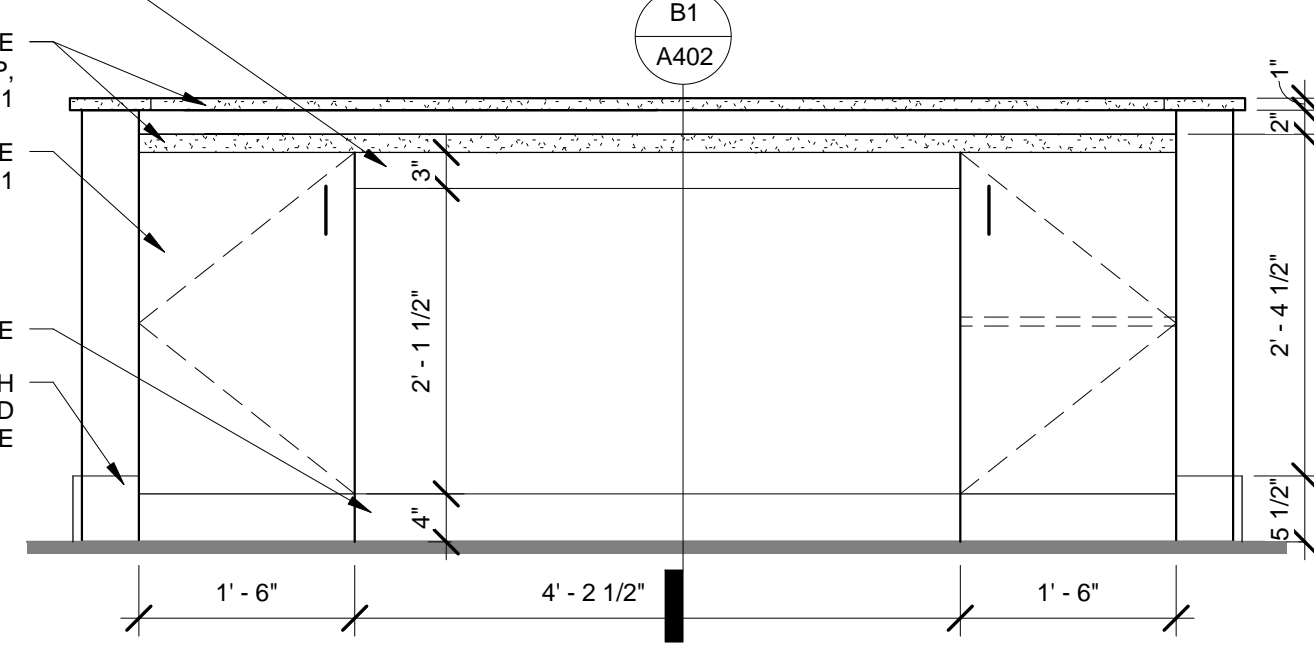
C1 SECTION @ TELLER BACK COUNTER CABINET
3/4" = 1'-0"



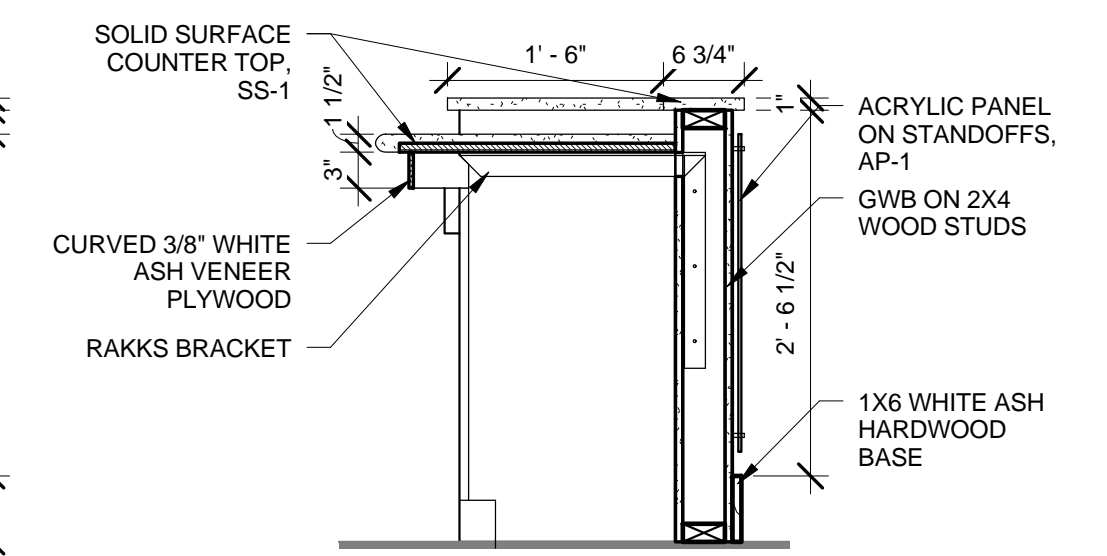
B4 SECTION @ PULL OUT COUNTER
3/4" = 1'-0"



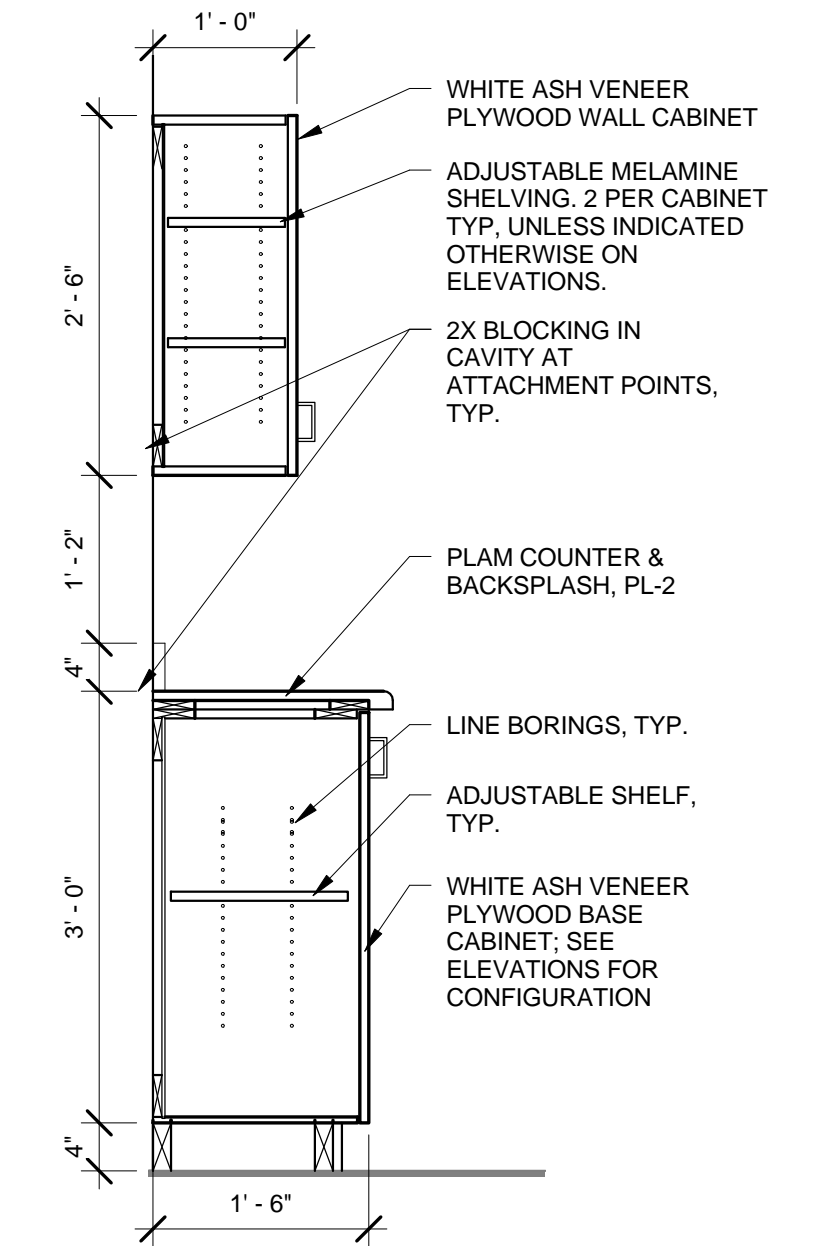
B3 SECTION @ TELLER BACK COUNTER
3/4" = 1'-0"



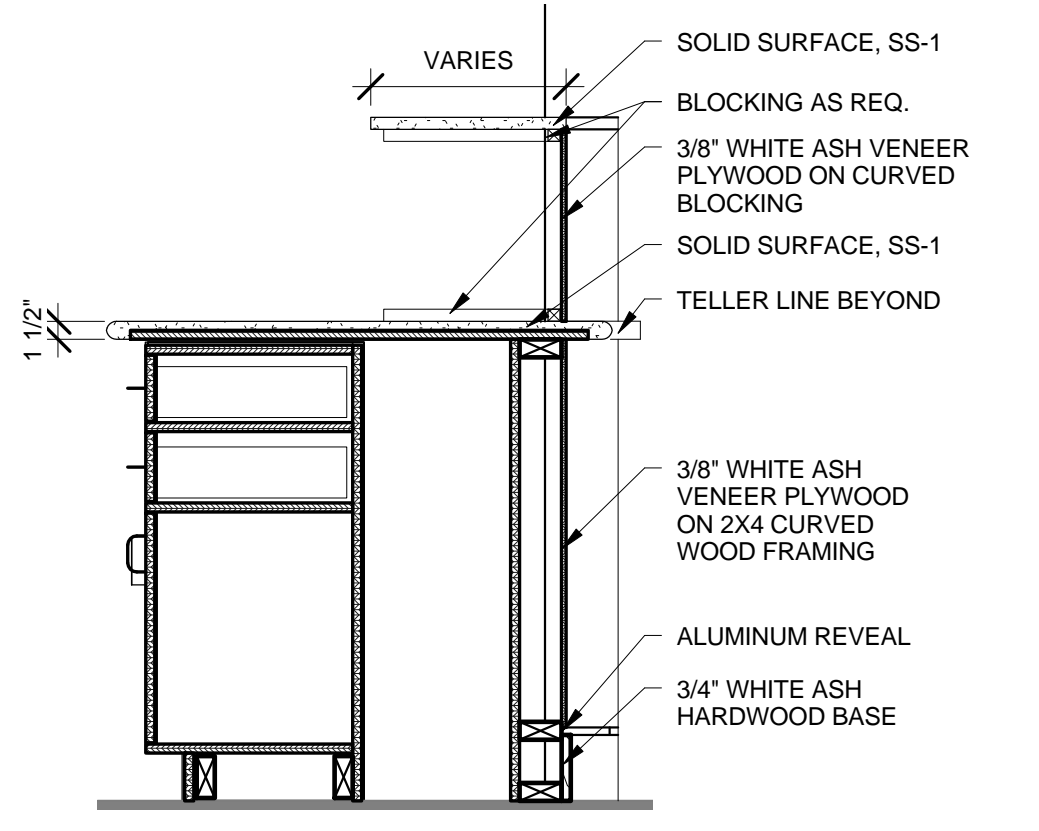
B2 ELEVATION - CHECK WRITING STAND
3/4" = 1'-0"



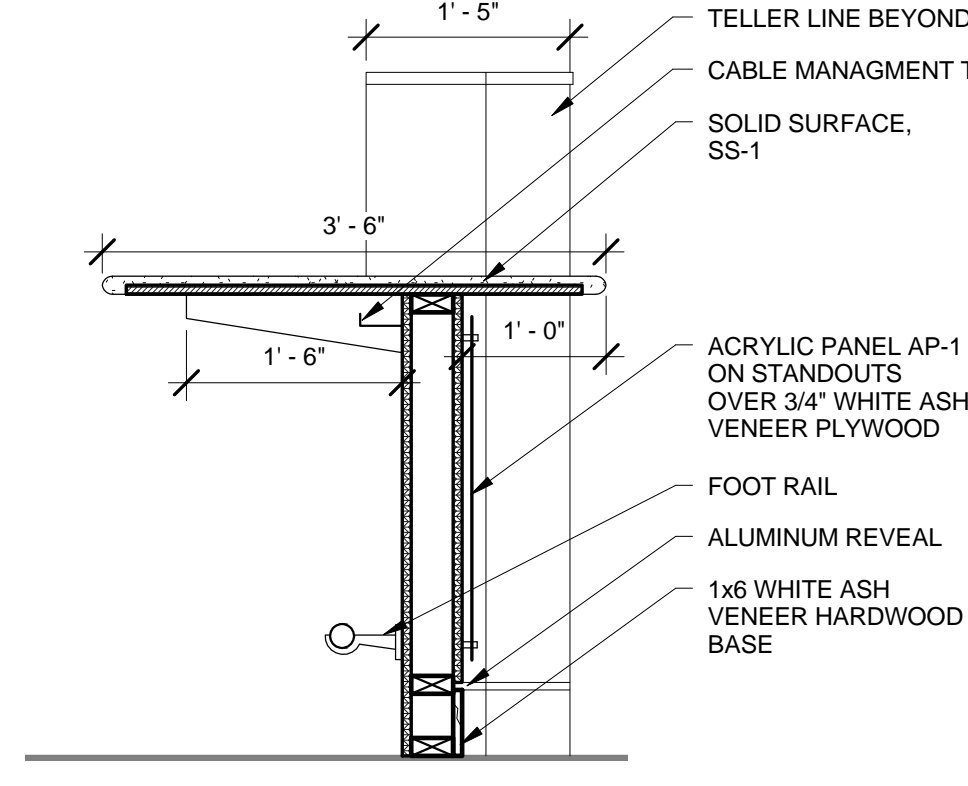
B1 SECTION - CHECK WRITING STAND
3/4" = 1'-0"



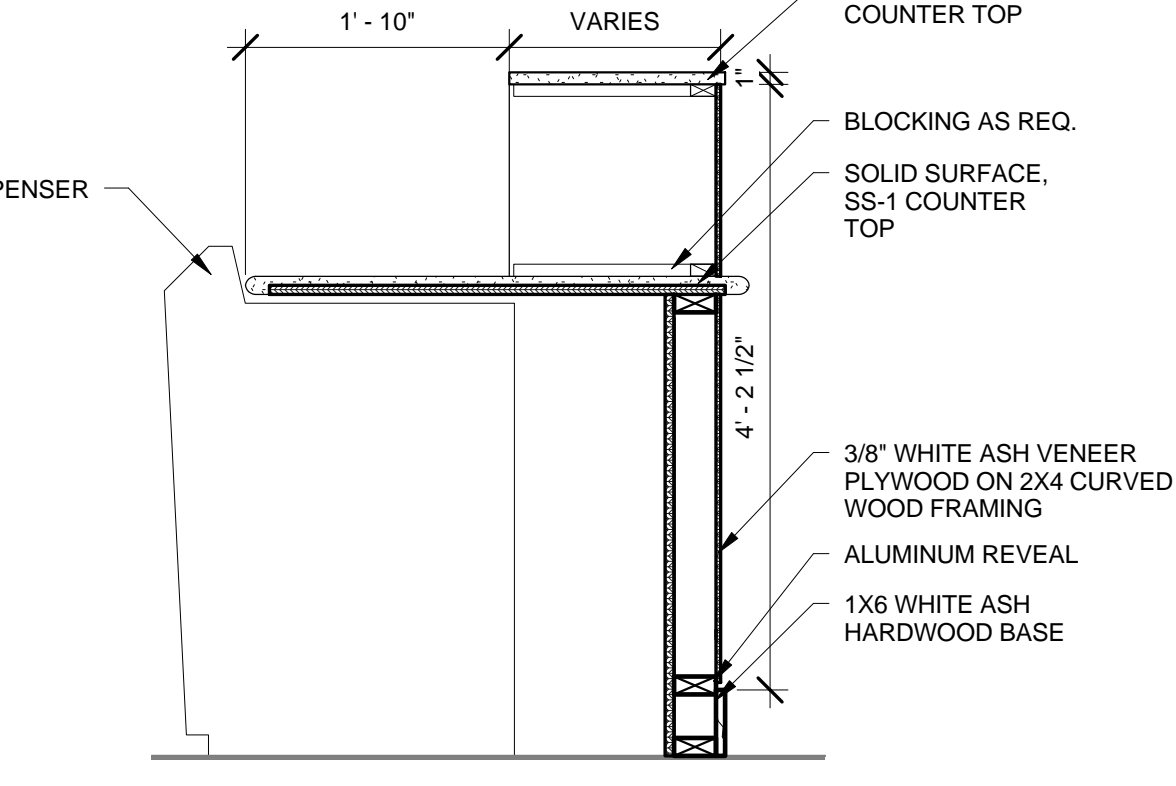
A5 SECTION @ BACK COUNTER
3/4" = 1'-0"



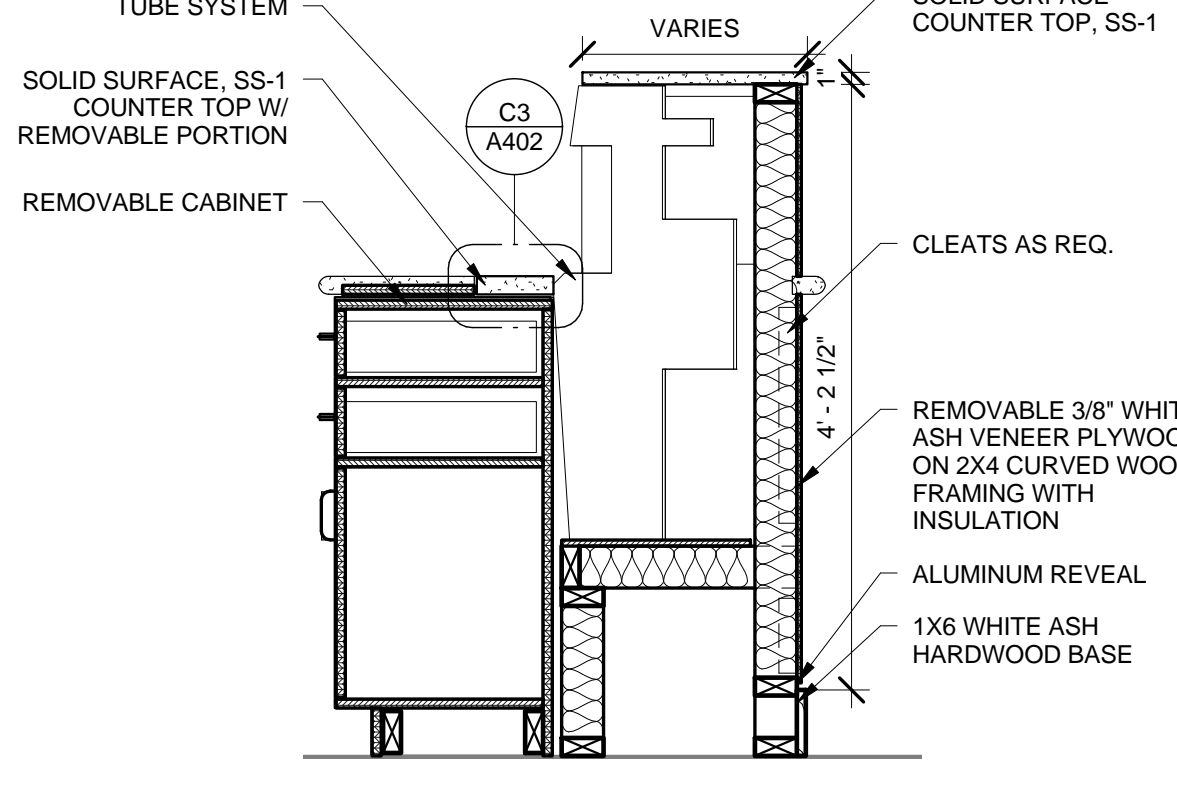
A4 SECTION @ TELLER LINE AT CASH DRAWER
3/4" = 1'-0"



A3 SECTION @ TELLER LINE AT TELLER STATION
3/4" = 1'-0"



A2 SECTION @ TELLER LINE AT CASH DISPENSER
3/4" = 1'-0"



A1 SECTION @ TELLER LINE AT DRIVE THRU TUBES
3/4" = 1'-0"