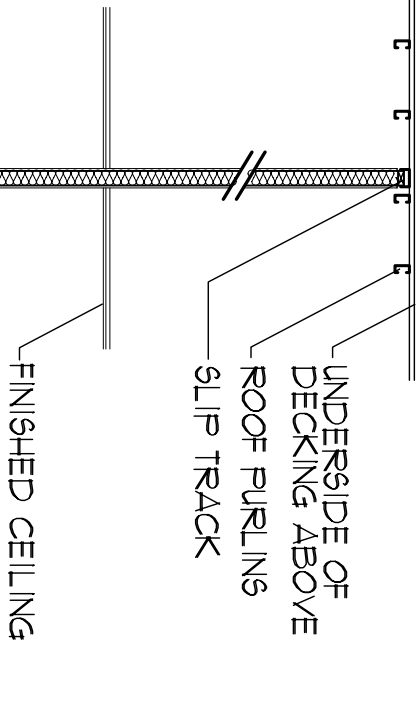
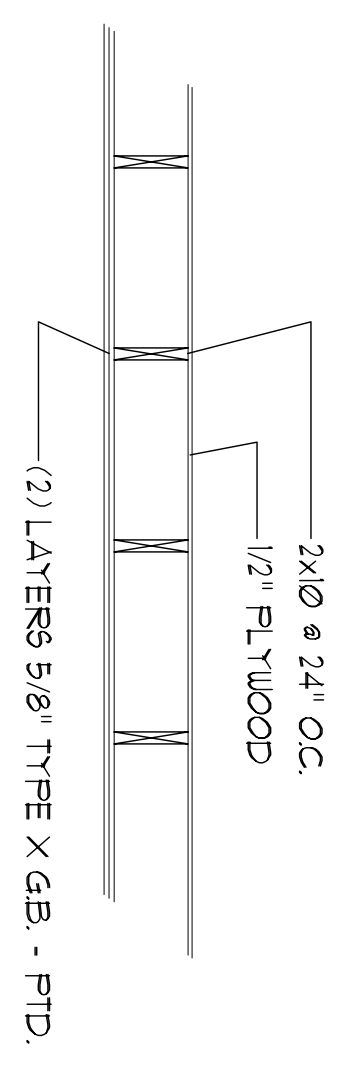


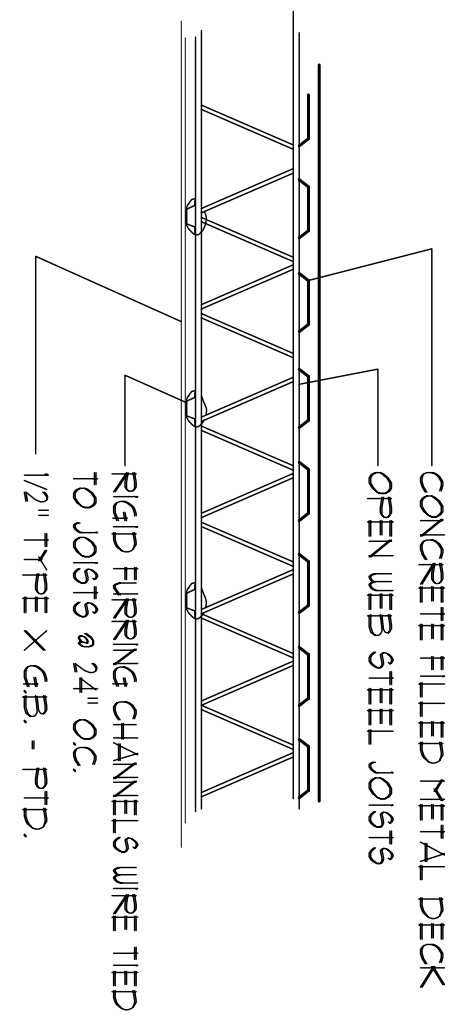
3 TYPICAL NON-RATED WALL
SCALE: 1/4" = 1'-0"



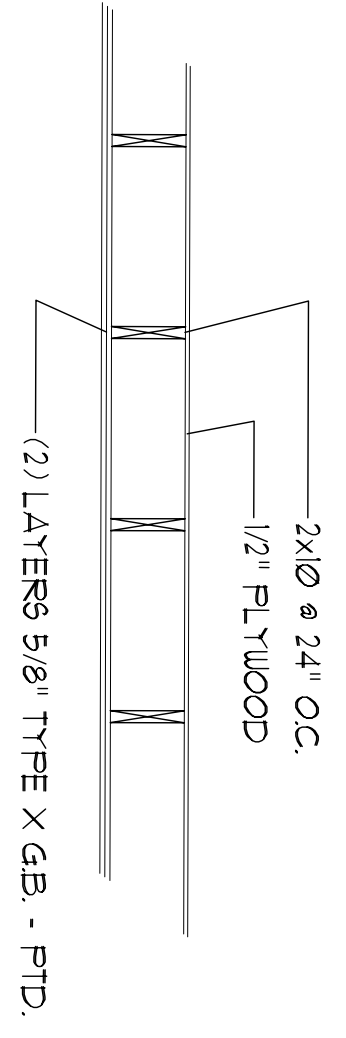
4 TYPICAL (1) HR. RATED WALL
SCALE: 1/4" = 1'-0"



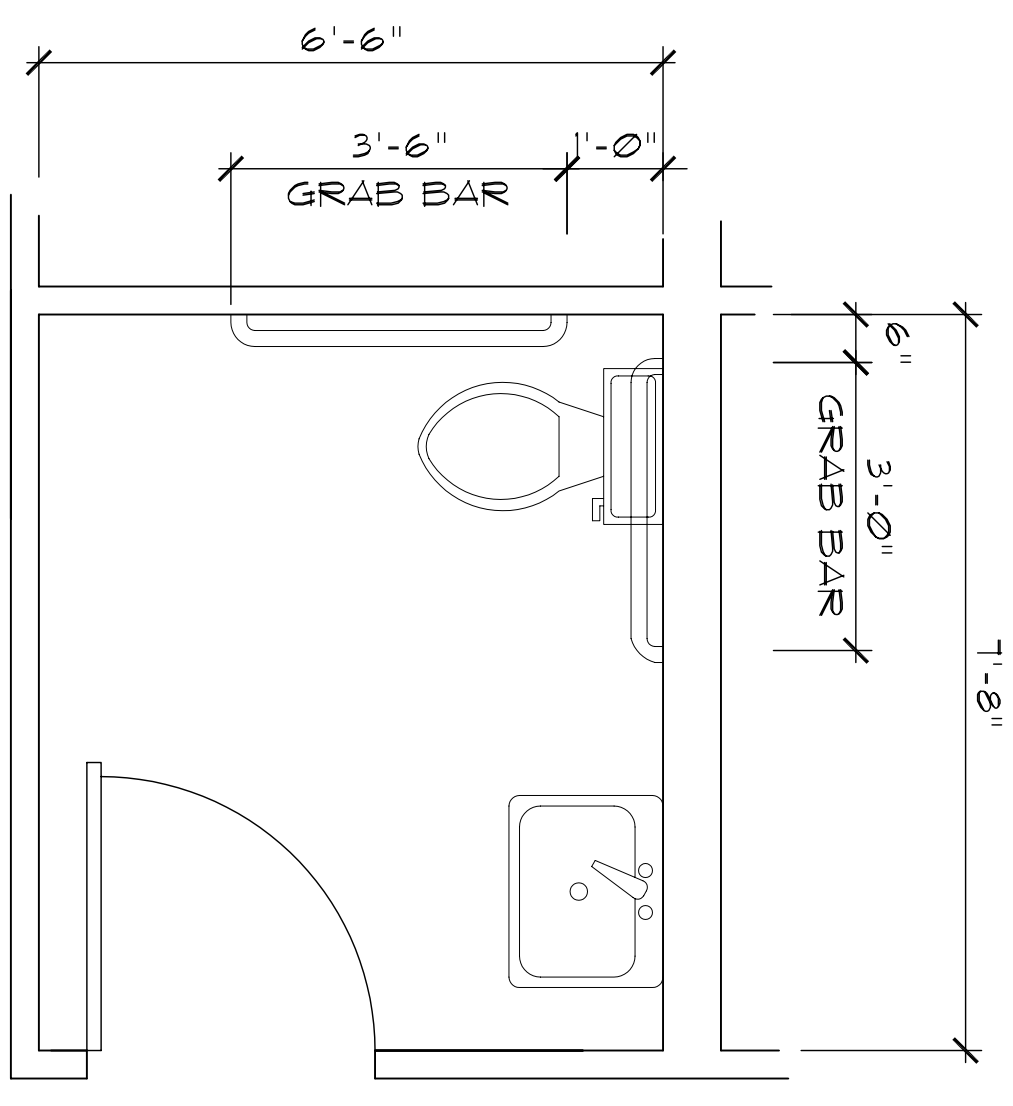
5 (1) HR. CEILING - GA FILE NO. FC 5406
SCALE: 1/2" = 1'-0"



6 (1) HR. CEILING - GA FILE NO. FC 1110
SCALE: 1/2" = 1'-0"

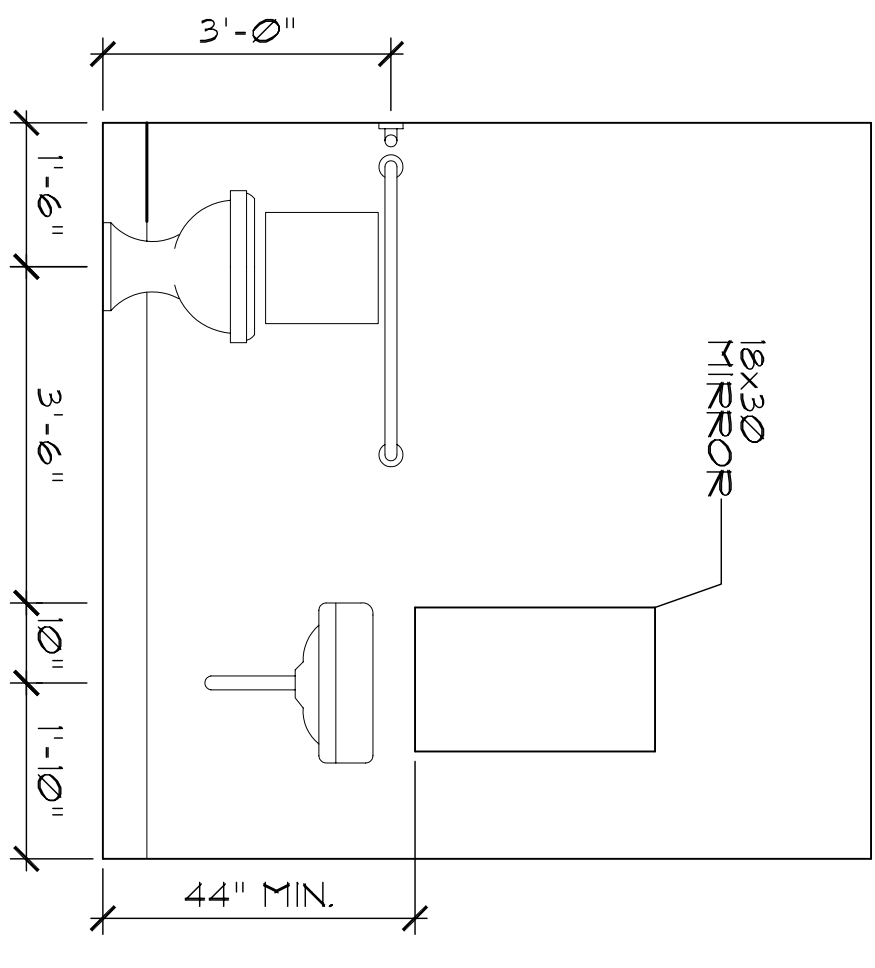


7 (1) HR. CEILING - GA FILE NO. RC 2601
SCALE: 1/2" = 1'-0"

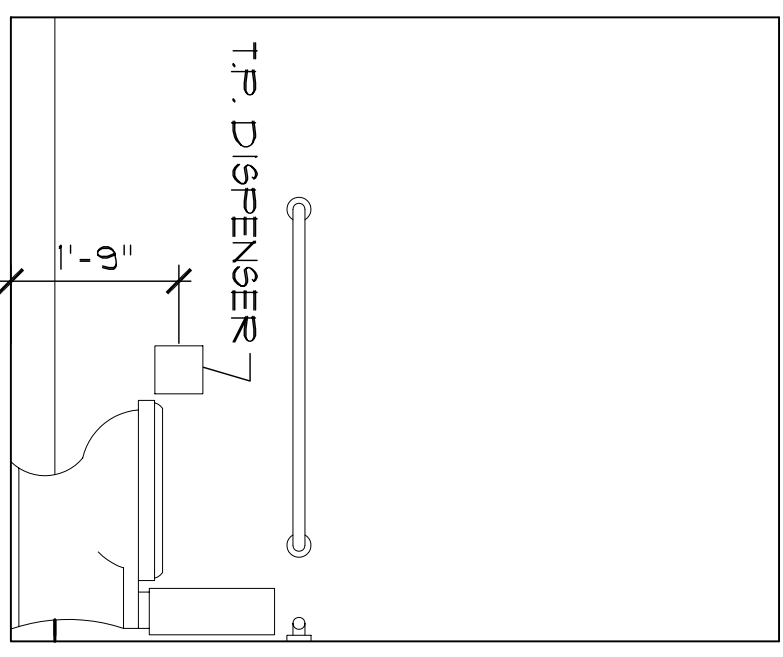


PLAN

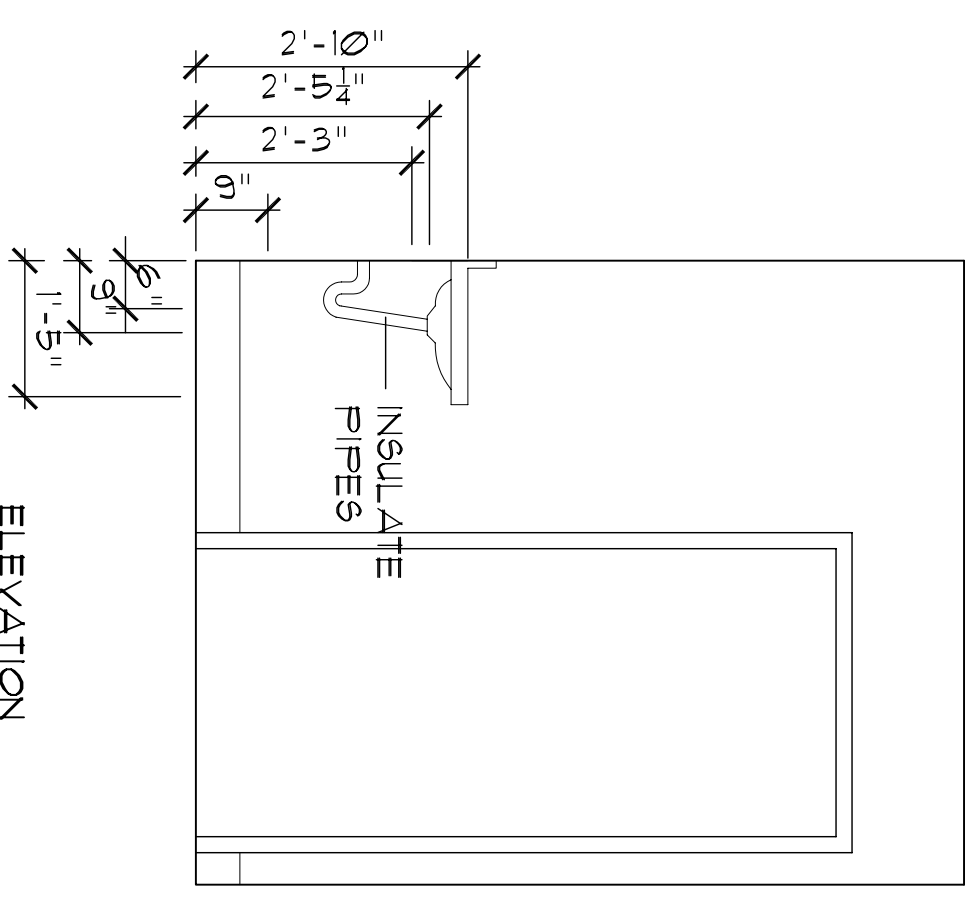
1 H.C. TOILETS 201 & 208 - PLAN & ELEVATIONS
SCALE: 1/2" = 1'



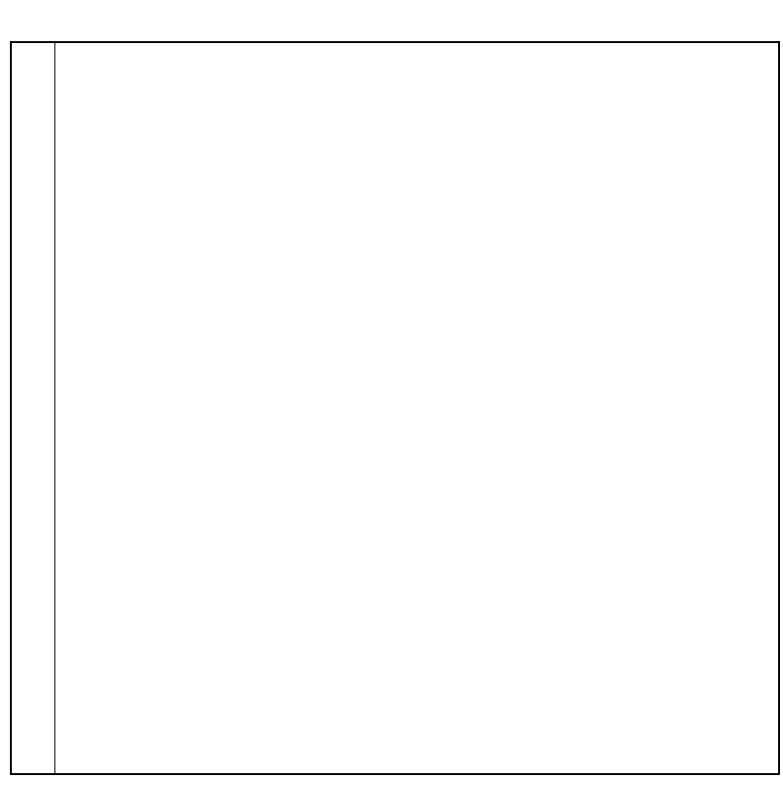
ELEVATION



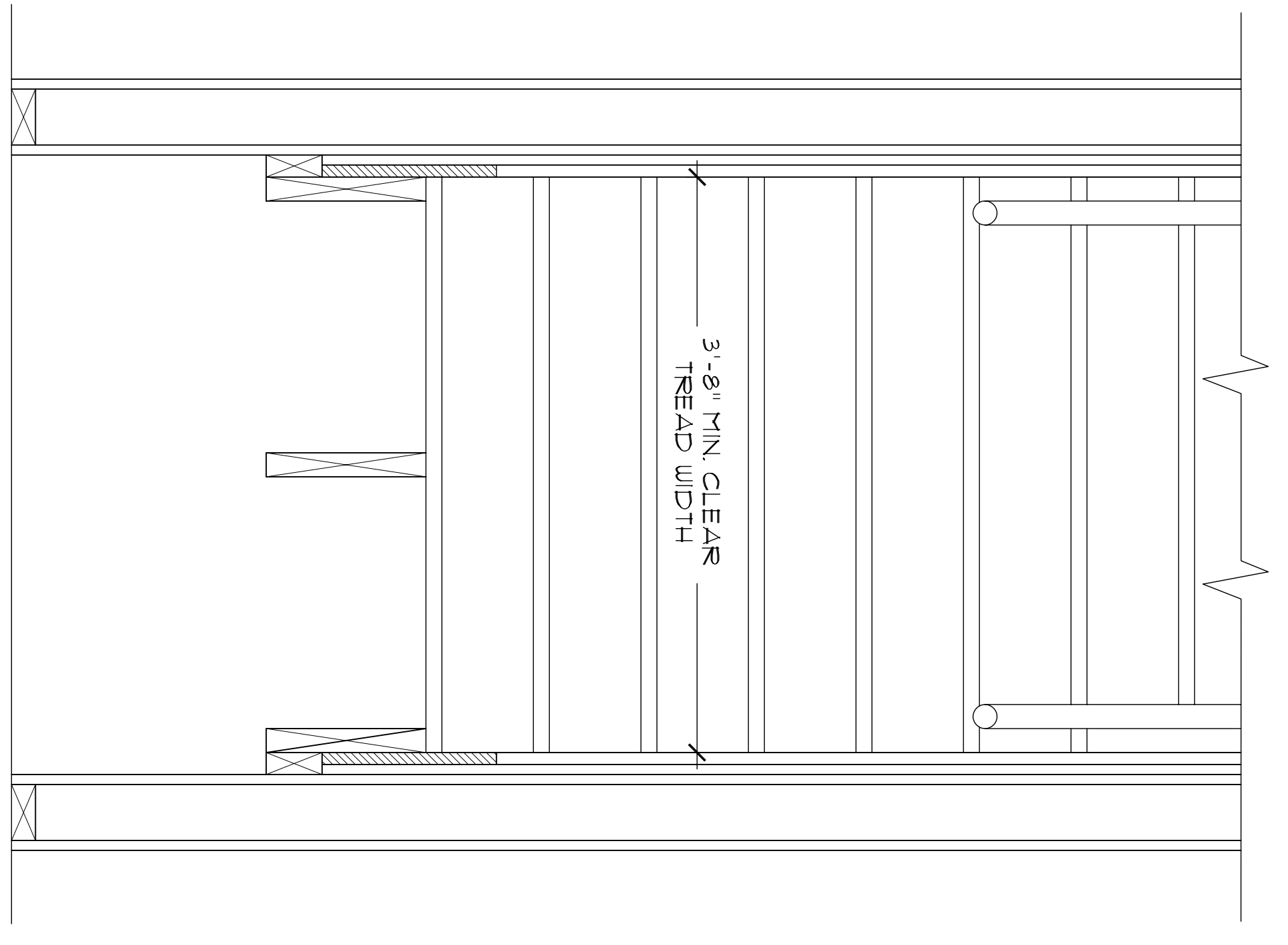
ELEVATION



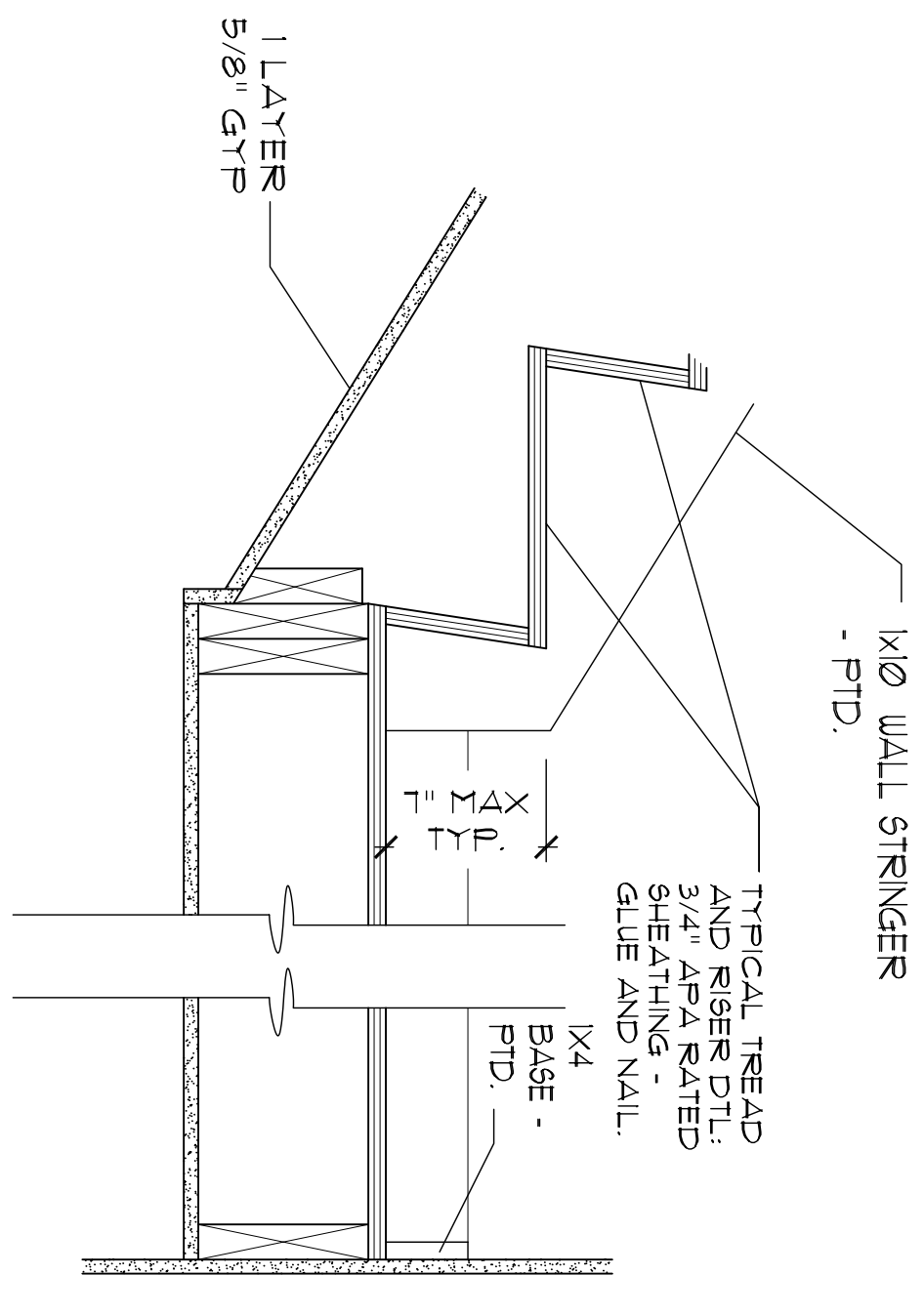
ELEVATION



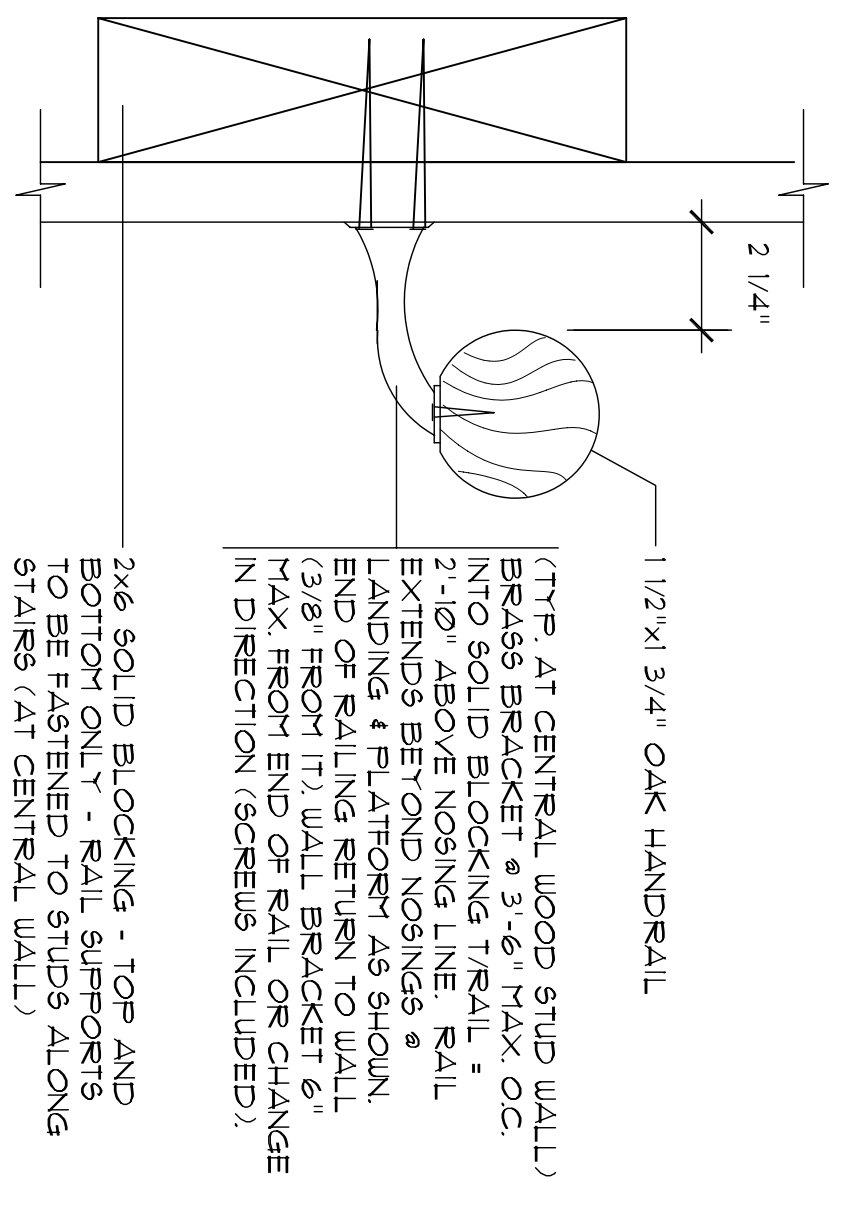
ELEVATION



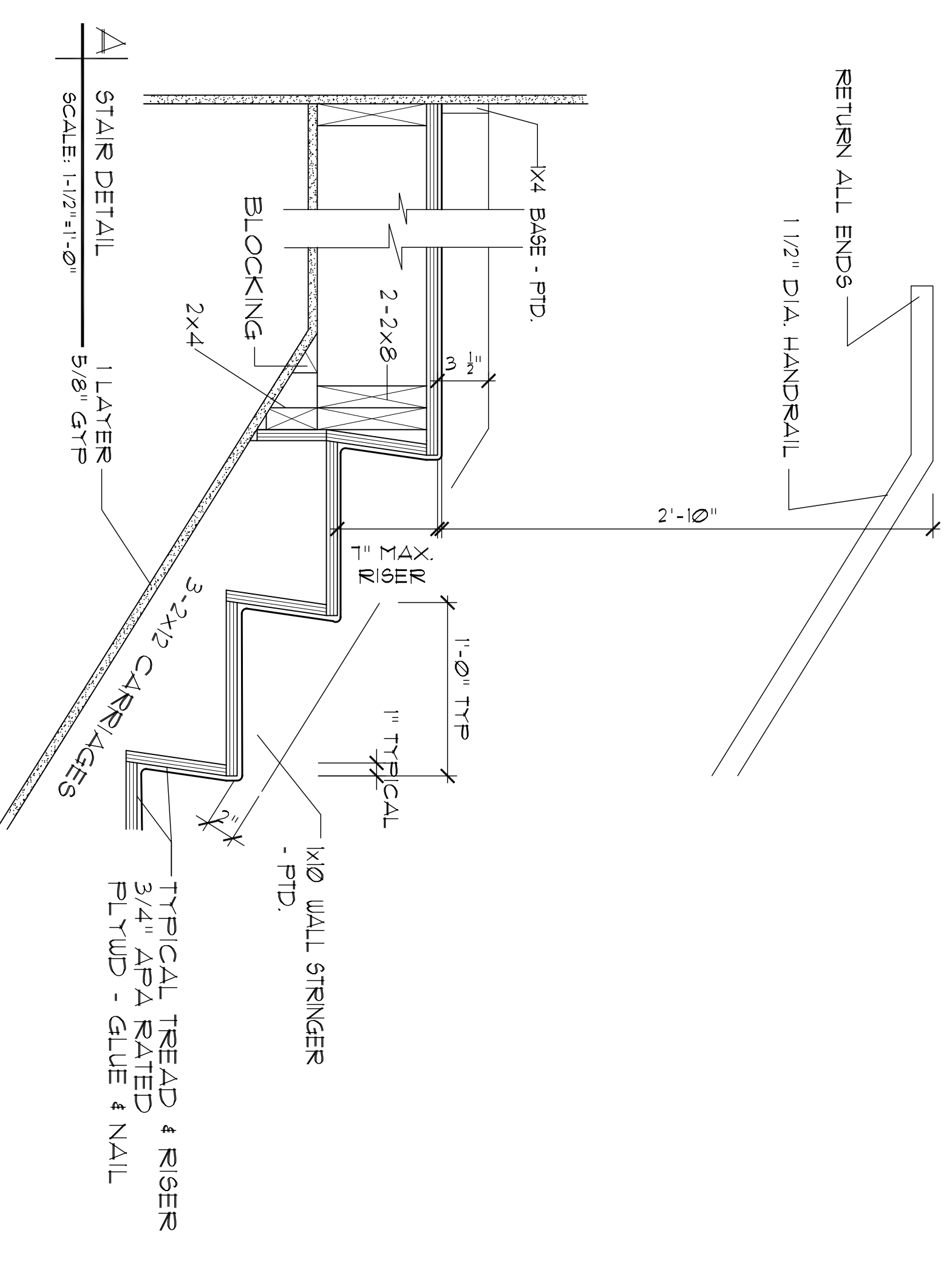
C STAIR SECTION
SCALE: 1-1/2" = 1'-0"



B STAIR DETAIL
SCALE: 1-1/2" = 1'-0"



D STAIR HANDRAIL DETAIL
SCALE: 3" = 1'-0"



A STAIR DETAIL
SCALE: 1-1/2" = 1'-0"

2 STAIR 100 - DETAILS
SCALE: AS NOTED

NOTE: STAIR 100 - 15 EQUAL RISERS; RISER NOT TO EXCEED 1".

Drawing: DETAILS

Date: 12/18/06

Scale: As Noted

Project: INTERIOR OFFICE FIT-UP
106 GILMAN STREET
PORTLAND, MAINE 04102

Architect: ARCHETYPE, P.A. ARCHITECTS
INTERIOR RESOURCES
48 Union Wharf Portland, Maine 04101
(207) 772-6022 Fax (207) 772-4056

Owner: SHALOM HOUSE, INC.
P.O. BOX 560
PORTLAND, MAINE 04112