

SERVICE & DISTRIBUTION FEEDERS & PANELBOARD SCHEDULE																				
PANELBOARD		BRANCH CIRCUIT BREAKERS					MAINS				SUPPLY FEEDERS				SUB FEED LUGS	NOTES				
D'S'G'N	MOUNT'G	USED	SPARE	SPACE	POLE 1-150Q	AMPS	TOTAL BKR'S	TOTAL POLES	AMPS	ENTRY	PHASE	WIRE	VOLTS	D'S'G'N			No. WIRES	SIZE WIRES	INSUL'N	CONDUIT
LOAD CENTERS P1-P24	FLUSH			SEE TYPICAL LOAD CENTER SCHEDULE					100	MLO	1	3	208/120	F-XX	3	#1 #6	XHHW THW	1 1/2"	-	③
HP1	FLUSH								400	LUG	3	4	208/120	F-HP1	8	#3/0 #6	XHHW THW	(2)-2"	-	①
HP2	FLUSH								125	LUG	3	4	208/120	F-HP2	4	#1/0 #6	XHHW THW	(1)-2"	-	①
HP3	FLUSH								125	LUG	3	4	208/120	F-HP3	4	#1/0 #6	XHHW THW	(1)-2"	-	①
CB-ELEV	SURFACE								125	CB	3	4	208/120	F-ELEV	4	#1/0 #6	XHHW THW	2"	-	②
MDP	SURFACE			SEE MAIN DISTRIBUTION RISER DIAGRAM					1200	CB	3	4	208/120	F-MDP	12	500MCM	XHHW THW	3-4"	-	
														GND-R	1	#1/0	ANY	3/4"	-	⑤
														GND-WM	1	#1/0	ANY	3/4"	-	⑥
														GND-BS	1	#1/0	ANY	3/4"	-	⑦

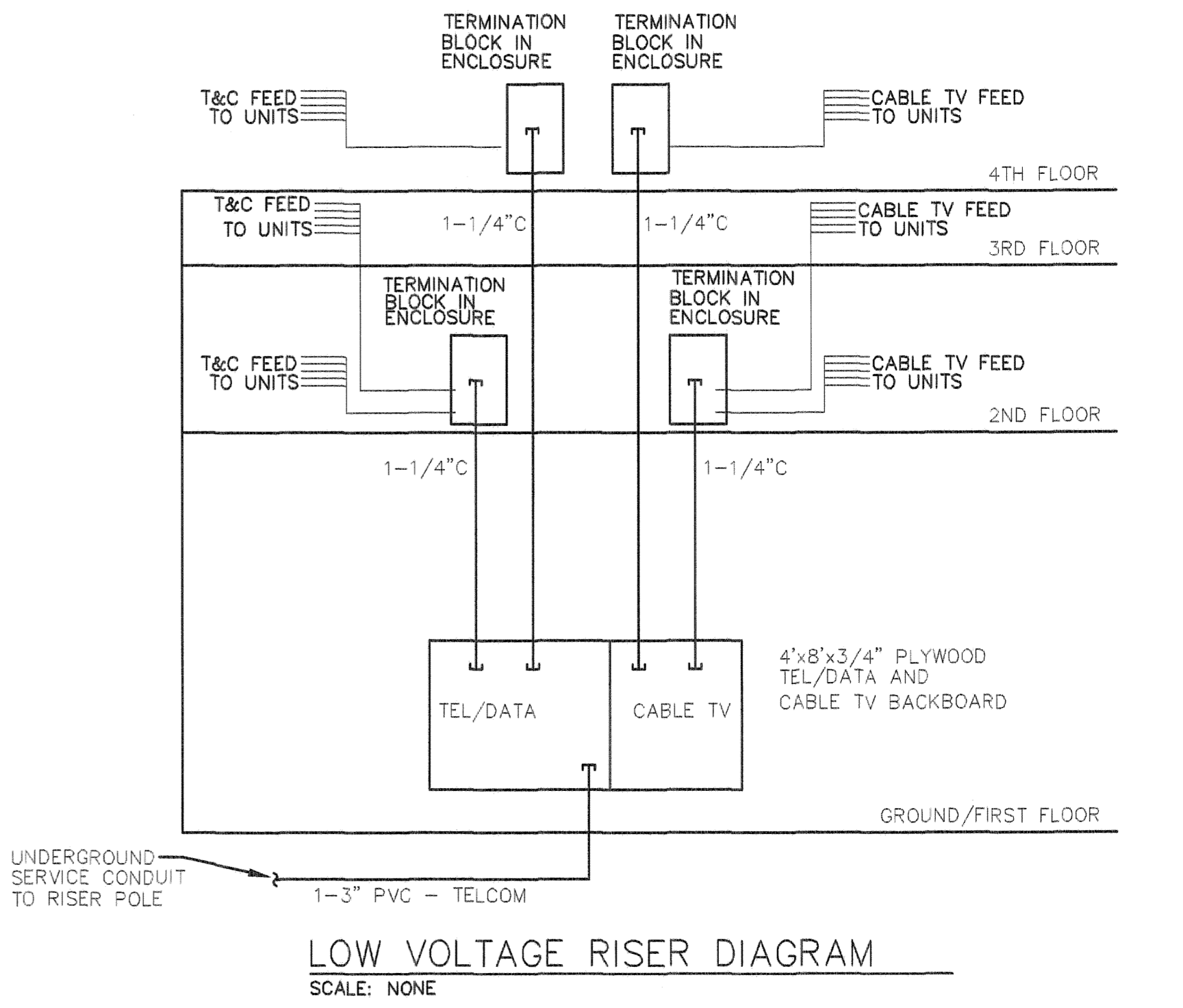
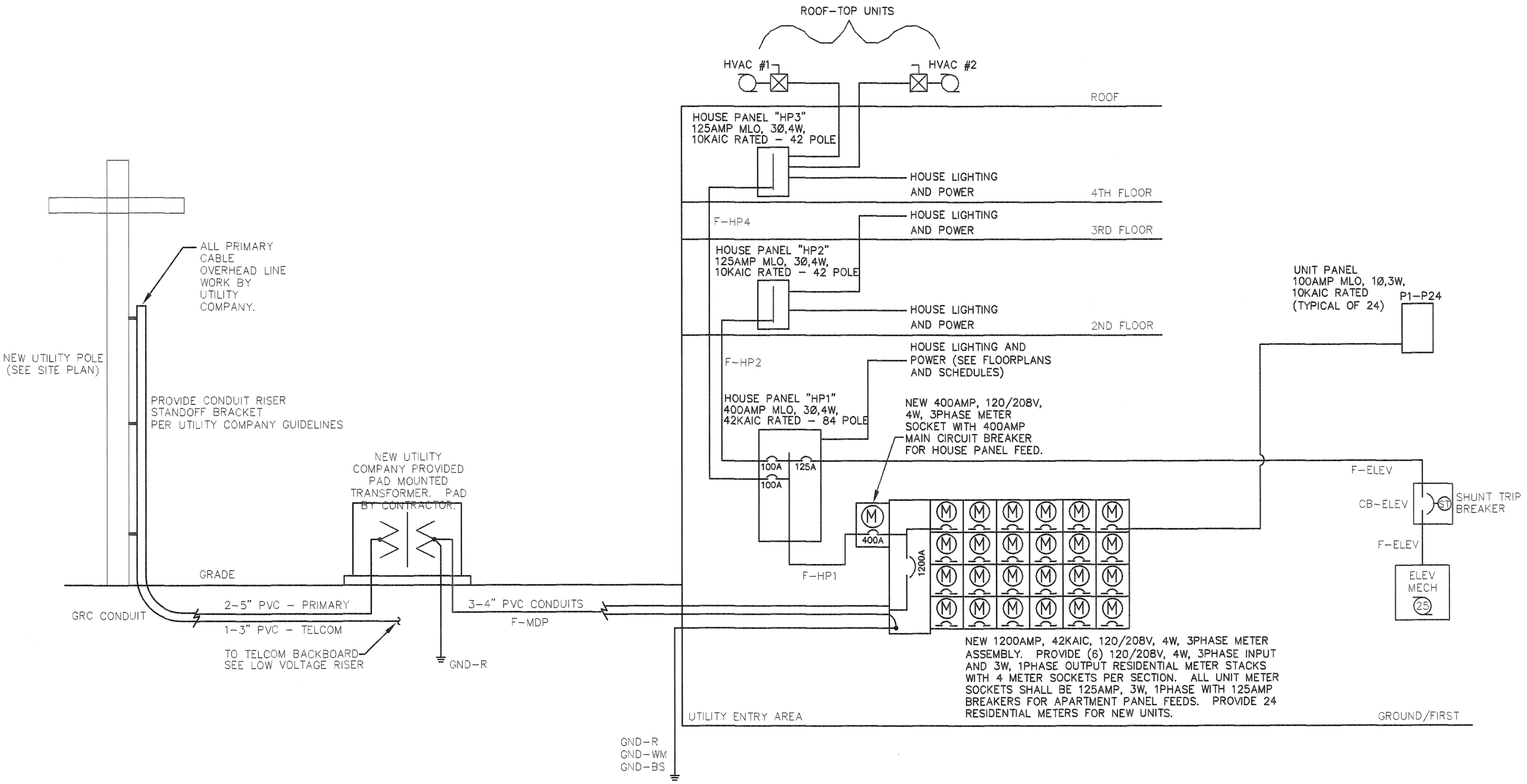
- PANELBOARD NOTES**
- ① QB PANELBOARD, BOLT-ON BREAKERS
  - ② SHUNT TRIP BREAKER, WIRE TO HEAT DETECTORS IN ELEVATOR SHAFT, SEE FIRE ALARM RISER FOR DETAILS.
  - ③ PROVIDE SCHEDULED FEEDERS FOR ALL FEEDERS LESS THAN 150 FEET IN LENGTH
  - ④ PROVIDE SCHEDULED FEEDERS FOR ALL FEEDERS GREATER THAN 150 FEET IN LENGTH
  - ⑤ 3/4"x10'-0" COPPERWELD GROUND ROD, DRIVE VERTICALLY TO 2'-0" BELOW FINISH GRADE, CADWELD GROUND CONDUCTOR AND BOND TO SERVICE NEUTRAL.
  - ⑥ BOND STREET SIDE OF WATER MAIN TO SERVICE NEUTRAL.
  - ⑦ BOND BUILDING STEEL TO SERVICE NEUTRAL.

**APARTMENT LOAD CENTER (TYPICAL OF 24)**  
100AMP 120/208V, 1Ø, 3W  
NORMAL BRANCH MOUNTING: RECESSED

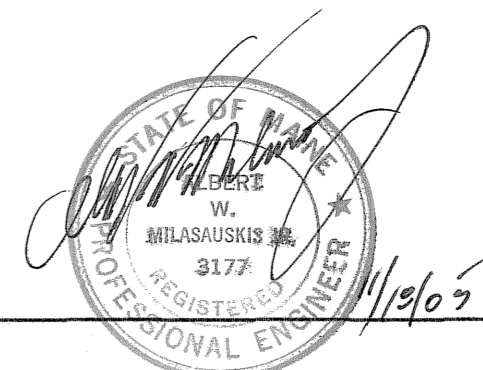
LOAD DESCRIPTION	CB PHASE	CB NO.	PHASE	CIR. NO.	CB PHASE	LOAD DESCRIPTION
BEDROOM	20/1	1	A	2	50	ELECTRIC RANGE
BEDROOM	20/1	3	B	4	2	
BEDROOM LIGHTING	20/1	5	A	6	20/1	REFRIGERATOR RECEPTACLE
BATHROOM	20/1	7	B	8	20/1	KITCHEN RECEPTACLE
A.C. RECEPTACLE	20/1	9	A	10	20/1	KITCHEN RECEPTACLE
LIVING RECEPTACLE	20/1	11	B	12	20/1	DISPOSER RECEPTACLE
LIVING RECEPTACLE	20/1	13	A	14	20/1	DISHWASHER RECEPTACLE
LIVING LIGHTING	20/1	15	B	16	20/1	SPACE
SMOKE DETECTORS	20/1	17	A	18	-	SPACE
SPACE	-	19	B	20	-	SPACE

INTERRUPTING CAPACITY: 10KAIC RMS SYM  
MAIN: 100 AMP M.L.O.

\* ARC FAULT CIRCUIT INTERRUPTING BREAKERS  
\*\* LOCATE RECEPTACLE NEXT TO L.R. WINDOWS FOR DUCTED A.C. UNIT.



NOTE: BOTH SYSTEMS SHALL HAVE CONSOLIDATION POINT (VOICE, DATA, COAX) IN EACH UNIT AND THEN TO TERMINATION BLOCK IN ENCLOSURES ON 2ND AND 4TH FLOORS. THEY ARE SEPERATED HERE TO INDICATE SEPERATE SYSTEMS. ALL TELEPHONE AND COMPUTER CABLING SHALL BE CAT5E AND CABLE TV SHALL BE RG6.



**FOR BIDDING**  
11/18/05