

PLUMBING FIXTURE SCHEDULE

TAG	TYPE	BRANCH		SIZES		REMARKS	MTG HGT TO RIM (OR AS NOTED)
		CW	HW	V	W		
P-1	WATER CLOSET-REGULAR	1/2"	-	2"	3"	FL MTD, PRESSURE ASSISTED SIPHON JET, ROUND BOWL, TANK TYPE, 14" RIM HGT, COMMERCIAL WEIGHT CLOSED FRONT POLYSTYRENE SEAT WITH COVER.	-----
P-1B	WATER CLOSET-BF	1/2"	-	2"	3"	FL MTD, PRESSURE ASSISTED SIPHON JET, ELONG'D BOWL, TANK TYPE, 17" RIM HGT, COMMERCIAL WEIGHT CLOSED FRONT POLYSTYRENE SEAT WITH COVER.	-----
P-2	LAVATORY-REG	1/2"	1/2"	1 1/2"	2"	ONE-PIECE COUNTER W/INTEGRAL LAV PROVIDED UNDER ANOTHER DIV OF CONTRACT. SUPPLIES & WASTE TO WALL, 4" CTR FAUCET W/LEVER HANDLES.	-----
P-2B	LAVATORY-BF	1/2"	1/2"	1 1/2"	2"	WALL MTD, 19" X 17" OVERALL, VITR. CHINA, SUPPLIES & WASTE TO WALL (INSULATED FOR BF USE), 4" CTR FAUCET W/LEVER HANDLES; CONCEALED ARM SUPPORT.	34"
P-3	KITCHEN SINK-REG	1/2"	1/2"	1 1/2"	2"	MTD IN COUNTER, 25"x22" S/S, SELF-RIMMING, SUPPLIES & WASTE TO WALL, 7 1/2" DEEP COMPARTMENT, 8" CTR FAUCET W/SWIVEL SPOUT, LEVER HANDLES & SPRAY.	IN COUNTER
P-3B	KITCHEN SINK-BF	1/2"	1/2"	1 1/2"	2"	MTD IN COUNTER, 25"x22" S/S, SELF-RIMMING, SUPPLIES & WASTE TO WALL (INSULATED), 6" DP COMPARTMENT, 8" CTR FAUCET W/SWIVEL SPOUT, LEVER HANDLES & SPRAY.	IN COUNTER
P-4	BATHTUB-REG	1/2"	1/2"	1 1/2"	2"	RECESSED 60"x33 5/8"x73 1/4" OVERALL, 15" HIGH APRON, GELCOAT FINISH, SLIP-RESISTANT BOTTOM, INTEGRAL FIBERGLASS SURROUND, BATH/SHOWER TRIM W/PRESSURE BALC'D MIX'G VLV.	SEE DET "M", SHT P-4
P-4B	BATHTUB-BF	1/2"	1/2"	1 1/2"	2"	RECESSED 60"x33 1/4"x77 1/4" OVERALL, 19" HIGH APRON, GELCOAT FINISH, SLIP-RESISTANT BOTTOM, INTEGRAL FIBERGLASS SURROUND, BATH/SHOWER TRIM W/PRESSURE BALC'D MIX'G VLV.	SEE DET "N", SHT P-4
P-5	ROLL-IN SHOWER-BF	1/2"	1/2"	1 1/2"	2"	RECESSED 64"x37"x82 3/4" OVERALL, ACRYLIC, SLIP-RESISTANT BOTTOM, INTEGRAL SURROUND/TOP, BF SHOWER TRIM W/PRESSURE BALANCED MIXING VALVE.	SEE DET. "L", SHT P-4
P-6	CLOTHES WASHER HOOKUP	1/2"	1/2"	1 1/2"	2"	CLOTHES WASHER SUPPLY/DRAIN ASSEMBLY, RECESSED IN WALL, SGL LEVER WATER CONTROL VLV, 3/4" HPT OUTLETS, OVERFLOW TRAY W/2" DRAIN, WALL FACE PLATE.	SEE DET "Q", SHT P.3.1
P-7	WALL HYDRANT	3/4"	-	-	-	NON-FREEZE, ANTI-SIPHON, AUTOMATIC DRAINING FOR SURFACE INSTALLATION, INTEGRAL BFP, BRONZE INTERNAL PARTS, 3/4" SOLDER INLET.	24" MIN. ABV GRADE TO G

PLUMBING ABBREVIATIONS

AC	AT OR ABOVE CEILING	HGT	HEIGHT
ACB	ABOVE CEILING BELOW	HPT	HOSE PIPE THREAD
ADA	AMERICANS WITH DISABILITIES ACT	HW	HOT WATER
AFF	ABOVE FINISH FLOOR	HWR	RECIRCULATING HOT WATER
AP	ACCESS PANEL	IA	IN ATTIC
APPROX	APPROXIMATELY	IBC	IN BASE CABINET
BC	BALANCING COCK	IS	IN SOFFIT
BF	BARRIER FREE	INCL	INCLUDING
BFP	BACKFLOW PREVENTER	INV	INVERT
C, CW	COLD WATER	INV EL	INVERT ELEVATION
CLG	CEILING	IPS	IRON PIPE SIZE
CONTR	COUNTER; COUNTERTOP	MIN	MINIMUM
CO	CLEANOUT	MTD	MOUNTED
COL	COLUMN	MTG	MOUNTING
CONN	CONNECT; CONNECTION	NTC	NOT IN CONTRACT
CONT	CONTINUE; CONTINUATION	NPT	NATIONAL PIPE THREAD
C.P.	CHROME PLATED	POI	PLUMBING & DRAINAGE INSTITUTE
CIR	CENTER	PRV	PRESSURE REDUCING VALVE
DET	DETAIL	REG	REGULAR
DIA	DIAMETER	S	SOL
DN	DOWN	SA-"	SHOCK ABSORBER OF PDI SIZE ("") AS INDICATED
DWG	DRAWING	SGL	SINGLE
EL, ELEV	ELEVATION	SK	SHEET
ELONG	ELONGATED	SK	SINK
E/R	EXISTING TO REMAIN	SQ FT	SQUARE FEET
EXIST	EXISTING	STL	STEEL
FBO	FURNISHED BY OTHERS	S/O	SHUT OFF
FCO	FLOOR CLEANOUT	S/S	STAINLESS STEEL
FD	FLOOR DRAIN	TP	TRAP PRIMER
FIN	FINISH	TYP	TYPICAL
FL	FLOOR	UC	UNDER COUNTER
FTG	FITTING	US	UNDER FLOOR SLAB
GALV	GALVANIZED	V	VENT
GPF	GALLONS PER FLUSH	VB	VACUUM BREAKER
GPM	GALLONS PER MINUTE	VLV	VALVE
HC, HDC	HANDICAP ACCESS (BARRIER FREE)	VS	VENT STACK
H.D.	HEAVY DUTY	W	WASTE
		W/	WITH
		WCO	WALL CLEANOUT
		@	AT
		&	AND
		%	PERCENT

LEGEND

	COLD WATER PIPING ABOVE GROUND
	COLD WATER PIPING BELOW GROUND
	120°F HOT WATER PIPING ABOVE GROUND (H)
	120°F HOT WATER RETURN PIPING ABOVE GROUND
	SANITARY PIPING ABOVE GROUND
	SANITARY PIPING BELOW GROUND
	STORM DRAIN PIPING ABOVE GROUND
	STORM DRAIN PIPING BELOW GROUND
	VENT PIPING ABOVE GROUND
	VENT PIPING BELOW GROUND
	NATURAL GAS PIPING ABOVE GROUND
	NATURAL GAS PIPING BELOW GROUND
	TRAP PRIMER PIPING
	TRAP PRIMER PIPING BELOW GROUND
	FORCE MAIN PIPING BELOW GROUND
	SPRINKLER MAIN PIPING ABOVE GROUND
	ELBOW DOWN AND AWAY
	TEE DOWN / TOWARD
	TEE UP / TOWARD
	WASTE W/ CLEAN-OUT
	FLOOR CLEAN-OUT (ABOVE 1/4 BEND)
	FLOOR DRAIN
	UNION
	SHOCK ABSORBER (WATER HAMMER ARRESTER)
	GATE VALVE
	BALANCING COCK
	PRESSURE REDUCING VALVE
	GLOBE VALVE
	CHECK VALVE
	BALL VALVE
	GAS COCK
	TYPICAL FIXTURE NUMBER
	DETAIL REFERENCE

PUMP SCHEDULE

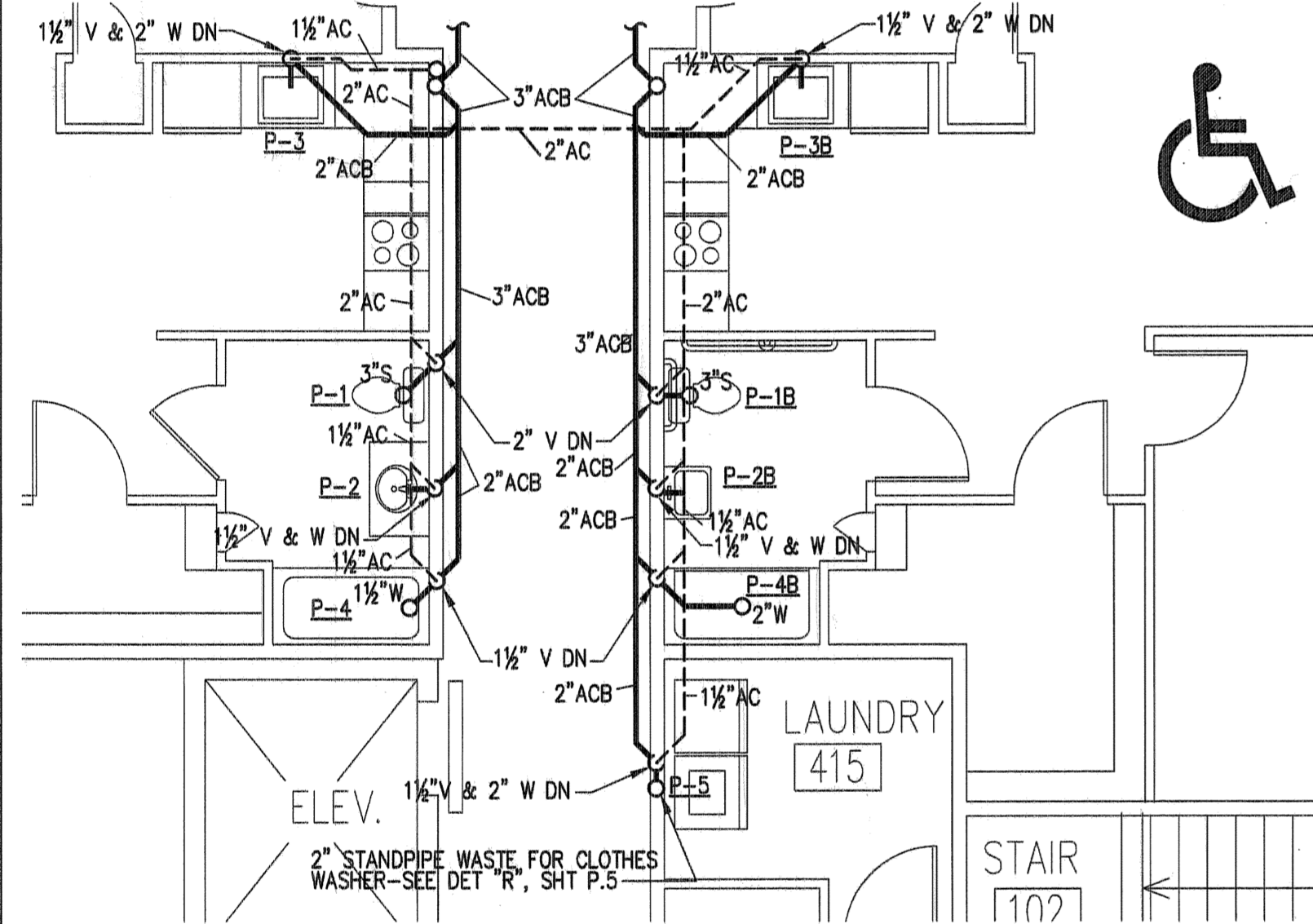
TAG#	TYPE	LOCATION	SERVES	GPM	HD. FT.	MOTOR			MANUFACTURER - MODEL	
						RPM	HP	VOLTS		
RCP-1	CIRCULATING	BOILER RM 106	HOT WATER RETURN	2	8	3250	1/40	120	1	TACO # 006B W/3/4" FLANGED CONNS
RCP-2	CIRCULATING	BOILER RM 106	BOILER WATER CIRC	24	14	3250	1/6	120	1	TACO # 0013 W/1 1/4" FLANGED CONNS
SP-1	SUBMERSIBLE SUMP	ELEVATOR SHAFT	ELEVATOR	30	15	3600	0.40	120	1	STANCOR MODEL SE40 PUMP FACTORY ASSEMBLED "OIL-MINDER" SYSTEM INCL LEVEL CONTR SET FOR 15" PUMP TURN-ON & HIGH WATER ALARM SET FOR 22"

WATER HEATER SCHEDULE

TAG #	TYPE	LOCATION	SERVES	ENTERING H ₂ O TEMP, °F	BOILER H ₂ O TEMP, °F (MIN)	ΔT	RECOVERY @ ΔT	STORAGE CAP-GAL	BRANCH	SIZES	MFR - MODEL - REMARKS		
WH-1	INDIRECT FIRED STORAGE	BOILER ROOM	ALL DOM. HOT WATER	40	180	85	120 GPH PER HEATER	80	2"	2"	1"	1 1/2" S&R	SUPERSTOR "ULTRA" MOD. SSU-80. INSTALL PER MFR'S INSTRUCTIONS; PIPE PER DET "B", SHT P.5 NOTE: BOILER WATER 12.0 GPM TO EACH HEATER

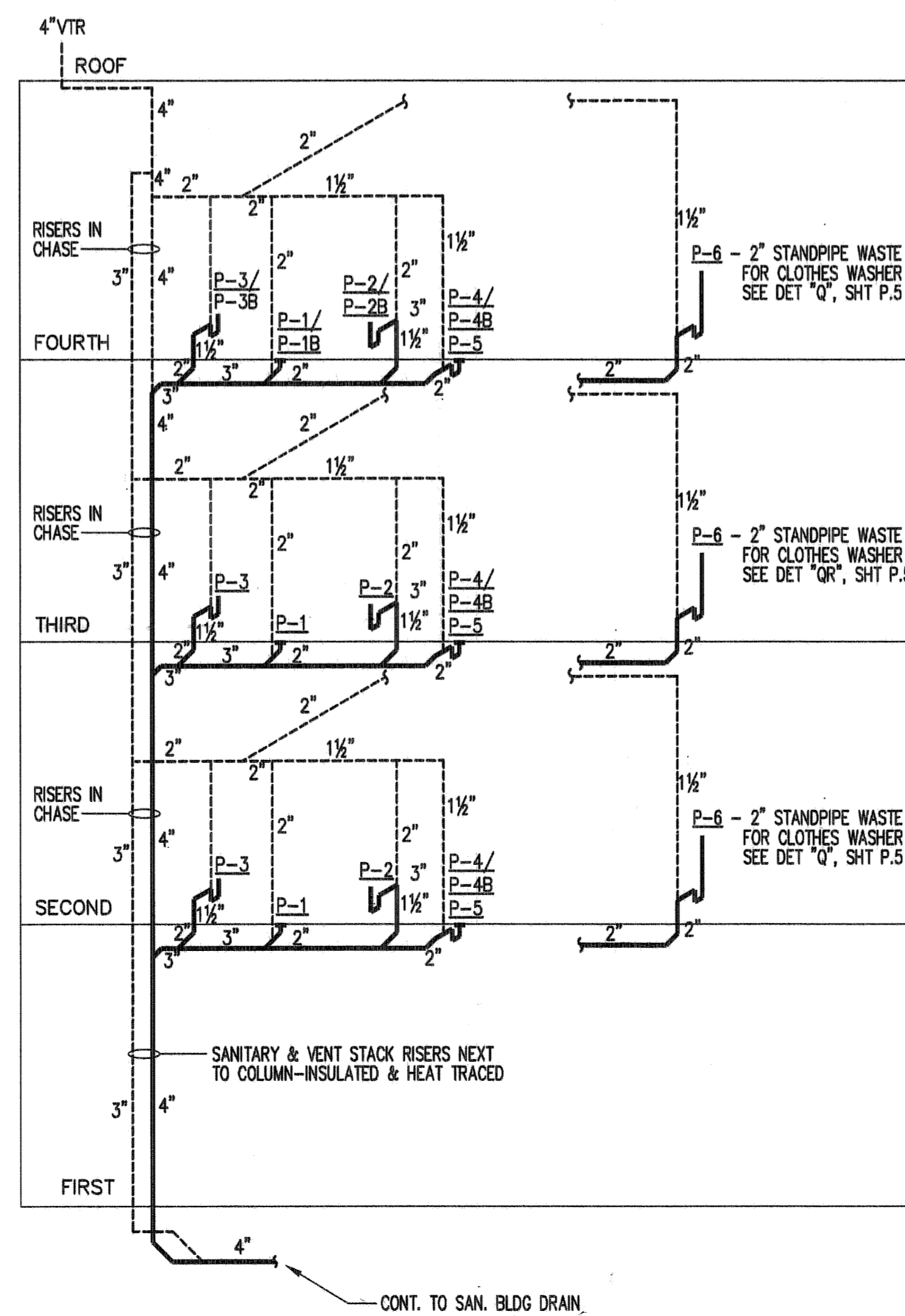
MIXING VALVE SCHEDULE

TAG #	TYPE	LOCATION	SERVES	INLET SIZES	OUTLET SIZE	BRANCH SIZES	OUTLET TEMP.	MFR - MODEL - REMARKS
MV-1	THERMOSTATIC MIXER	BOILER RM. NO. 106	BLDG DOM. HOT WATER	3/4"	1"	2" 2 1/2" 2 1/2"	125°F	SYMONDS NO. 5-400, REMOVABLE CARTRIDGE, INTEGRAL STOPS, FAIL SAFE ON HOT OR COLD WATER FAILURE; CAP: 27 GPM @ 10 PSIG P.D.



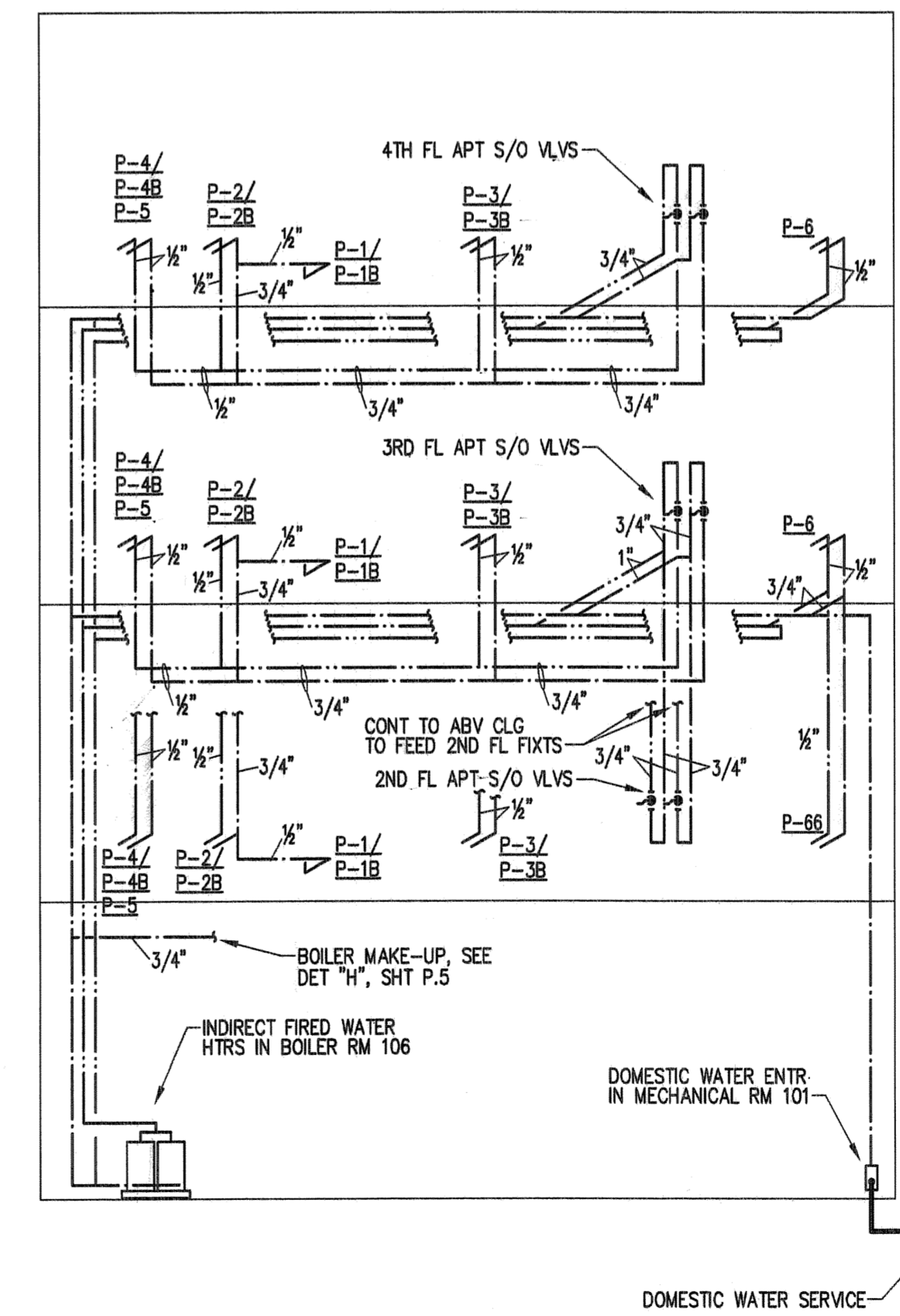
TYPICAL APARTMENT PART PLAN- SANITARY

SCALE: 1/4" = 1'-0"



TYPICAL SANITARY RISER DIAGRAM

SCALE: NONE



TYPICAL WATER RISER DIAGRAM

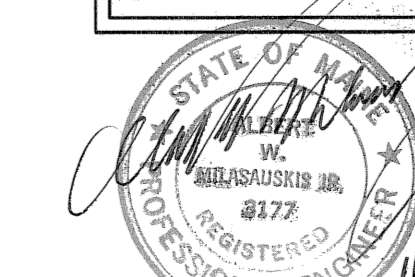
SCALE: NONE

GENERAL NOTES

- ALL PLUMBING FIXTURES SHALL BE BACK VENTED. PITCH ALL HORIZONTAL VENT PIPING TO DRAIN.
- ALL PLUMBING SHALL BE IN ACCORDANCE WITH THE MAINE STATE PLUMBING CODE OR THESE PLANS WHICH EVER IS MORE STRINGENT.
- ALL PIPING IS SHOWN DIAGRAMATICALLY AND MAY BE RELOCATED TO BEST FIT ACTUAL CONDITIONS WITH APPROVAL OF THE ARCHITECT.
- CAREFULLY COORDINATE LOCATION OF ALL PIPING WITH THE HEATING AND ELECTRICAL CONTRACTORS AS WELL AS ANY OTHER CONTRACTORS, WHERE CONCURRENT WORK MAY PRESENT POTENTIAL CONFLICTS.
- ALL HOT AND COLD WATER PIPING SHALL BE INSULATED UNLESS NOTED OTHERWISE.
- PROVIDE SHOCK ABSORBERS TO AVOID WATER HAMMER, AS REQUIRED, AND/OR WHERE SHOWN ON THE DRAWINGS TO CONFORM WITH P.D.I. STANDARDS.
- ALL PIPING SHALL RUN CONCEALED ABOVE CEILINGS, IN WALLS AND CHASES OR EXPOSED IN MECHANICAL/MAINTENANCE AREAS, UNLESS NOTED OTHERWISE.
- ALL SANITARY WASTE PIPING, 4" AND LARGER, SHALL PITCH 1/8"/FT. AND ALL SANITARY WASTE PIPING 3" AND SMALLER SHALL PITCH 1/4"/FT., UNLESS OTHERWISE NOTED.
- RUN ALL WATER PIPING ON THE WARM SIDE OF THE BUILDING INSULATION.
- PROVIDE CLEANOUTS AT THE BASE OF ALL SANITARY STACKS.
- ALL ACCESS PANELS WILL BE PROVIDED UNDER ANOTHER DIVISION OF THE CONTRACT AND THE PLUMBING CONTRACTOR SHALL BE RESPONSIBLE FOR LOCATING HIS NEEDED ACCESS PANELS.
- FOR EXACT LOCATIONS OF PLUMBING FIXTURES, SEE ARCHITECTURAL DRAWINGS.
- PROVIDE ACCESSIBLE CLEANOUTS AT THE BASE OF SANITARY STACKS.
- FOR CLARITY, SOME PIPING WHICH SHOULD BE INSTALLED WITHIN CHASES OR PARTITIONS, IS SHOWN JUST OUTSIDE THESE CONTAINMENTS. IT IS THE PLUMBING CONTRACTOR'S RESPONSIBILITY TO ASSURE THAT ALL PIPING IS INSTALLED WITHIN PROPER CONTAINMENTS.

DRAWING NOTE:

SYMBOLS & ABBREVIATIONS, SHOWN ON THIS SHEET ARE FOR REFERENCE ONLY & DO NOT INDICATE THEIR INCORPORATION INTO THE PROJECT DRAWINGS.



FOR BIDDING
11/18/05



Owner:
SHALOM HOUSE, INC.
P.O. BOX 560
PORTLAND, MAINE 04112

Architect:
ARCHETYPE, P.A.
ARCHITECTS
48 Union Wharf Portland, Maine 04101
(207) 772-6022 Fax (207) 772-4056

Project:
VALLEY STREET APARTMENTS
GILMAN STREET
PORTLAND, MAINE 04102

Scale: As Noted
Date: REVISED NOV. 9, 2004.

Drawing:
PLUMBING LEGEND,
NOTES & TYPICAL
PART PLANS

P.1