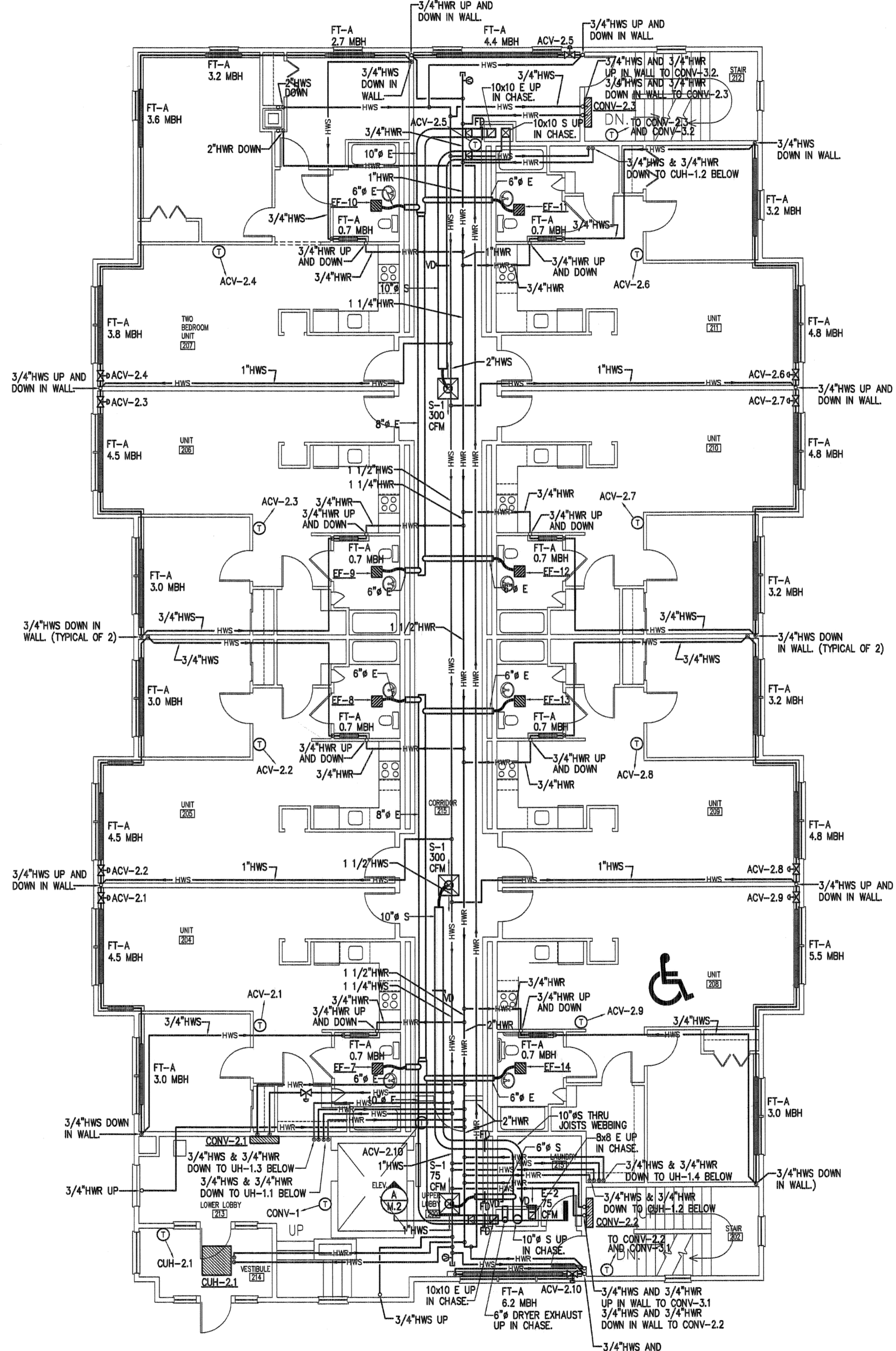
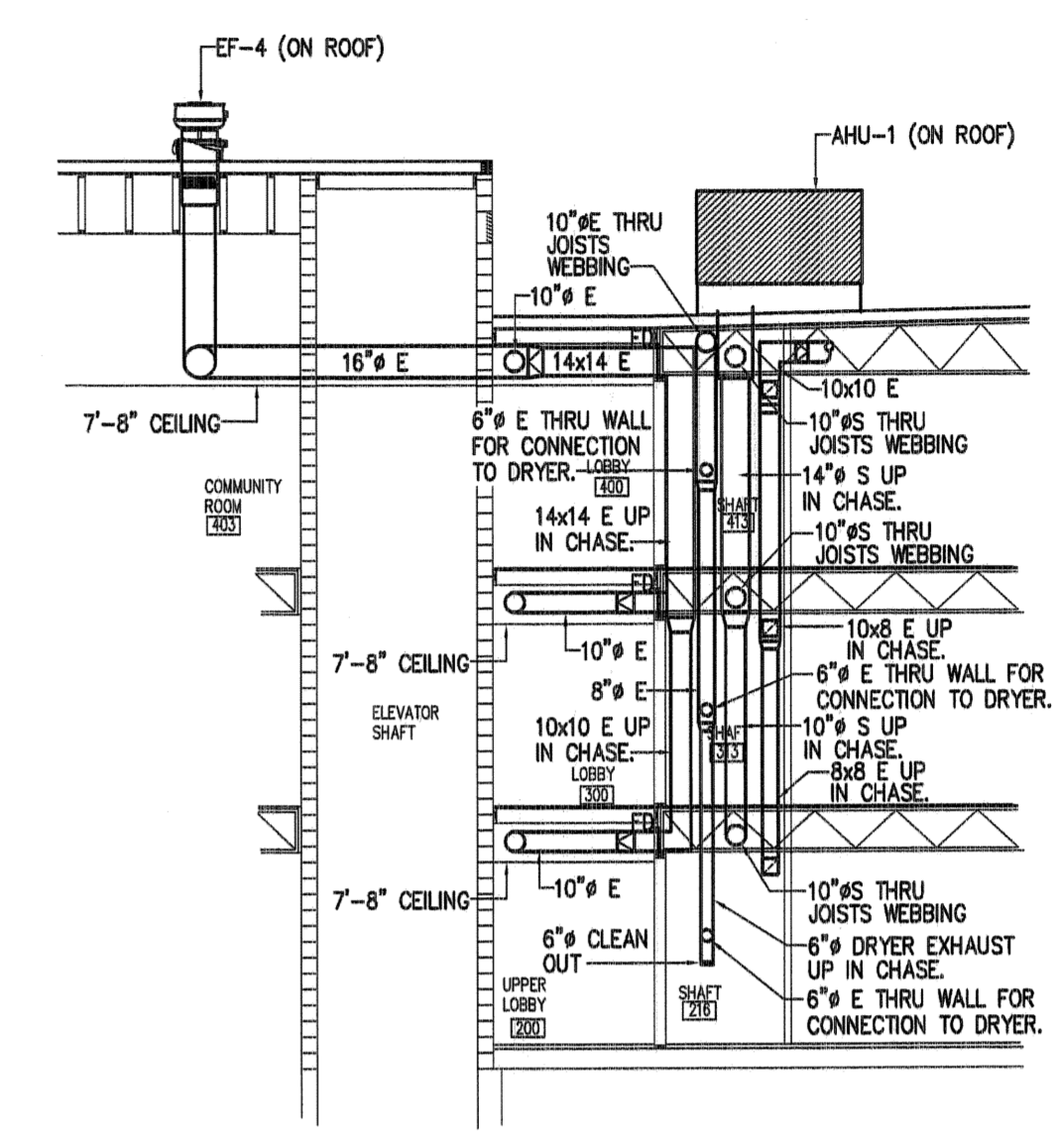


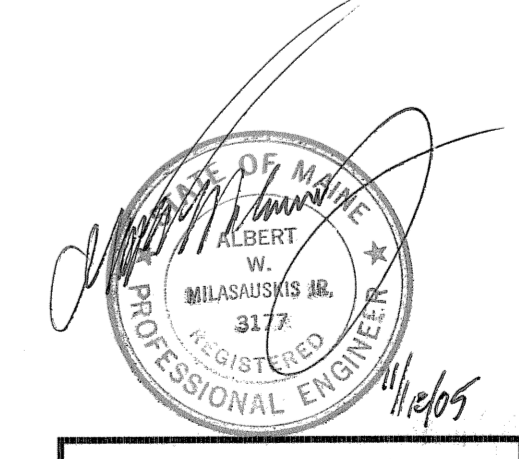
THIRD FLOOR PLAN  
SCALE: 1/8"=1'-0"



SECOND FLOOR PLAN  
SCALE: 1/8"=1'-0"



SECTION AT DUCT CHASE  
SCALE: 1/8" = 1'-0"



**FOR BIDDING**  
**11/18/05**