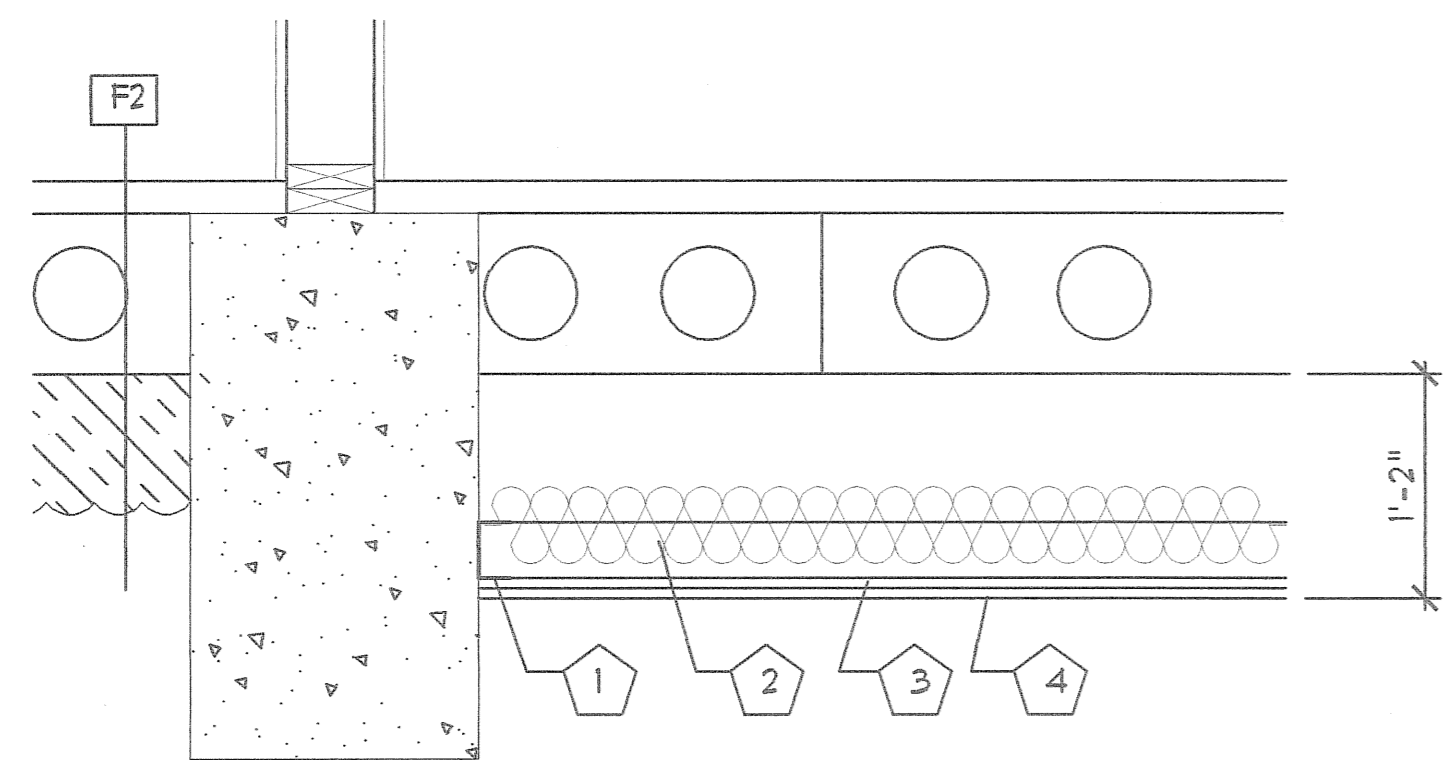
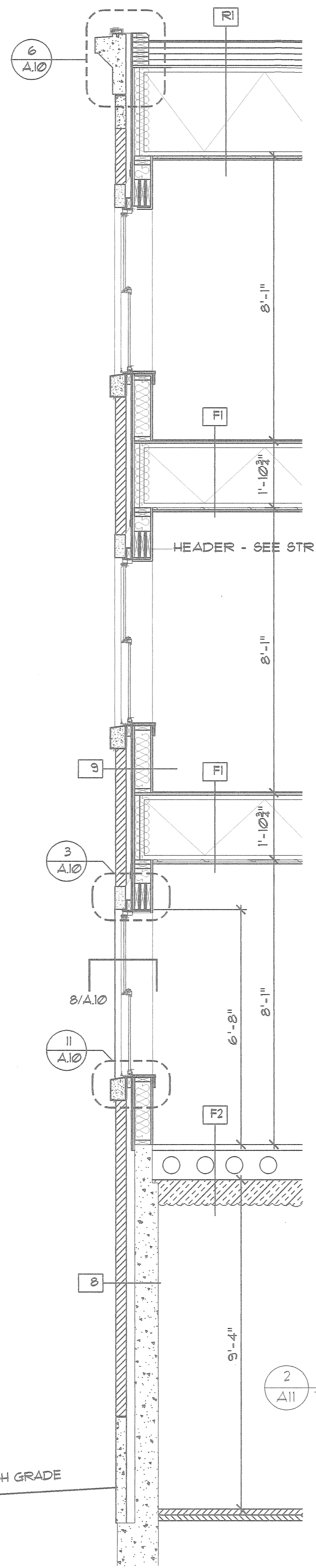


3 CORRIDOR WALL SECTION
SCALE 1/2" = 1'-0"

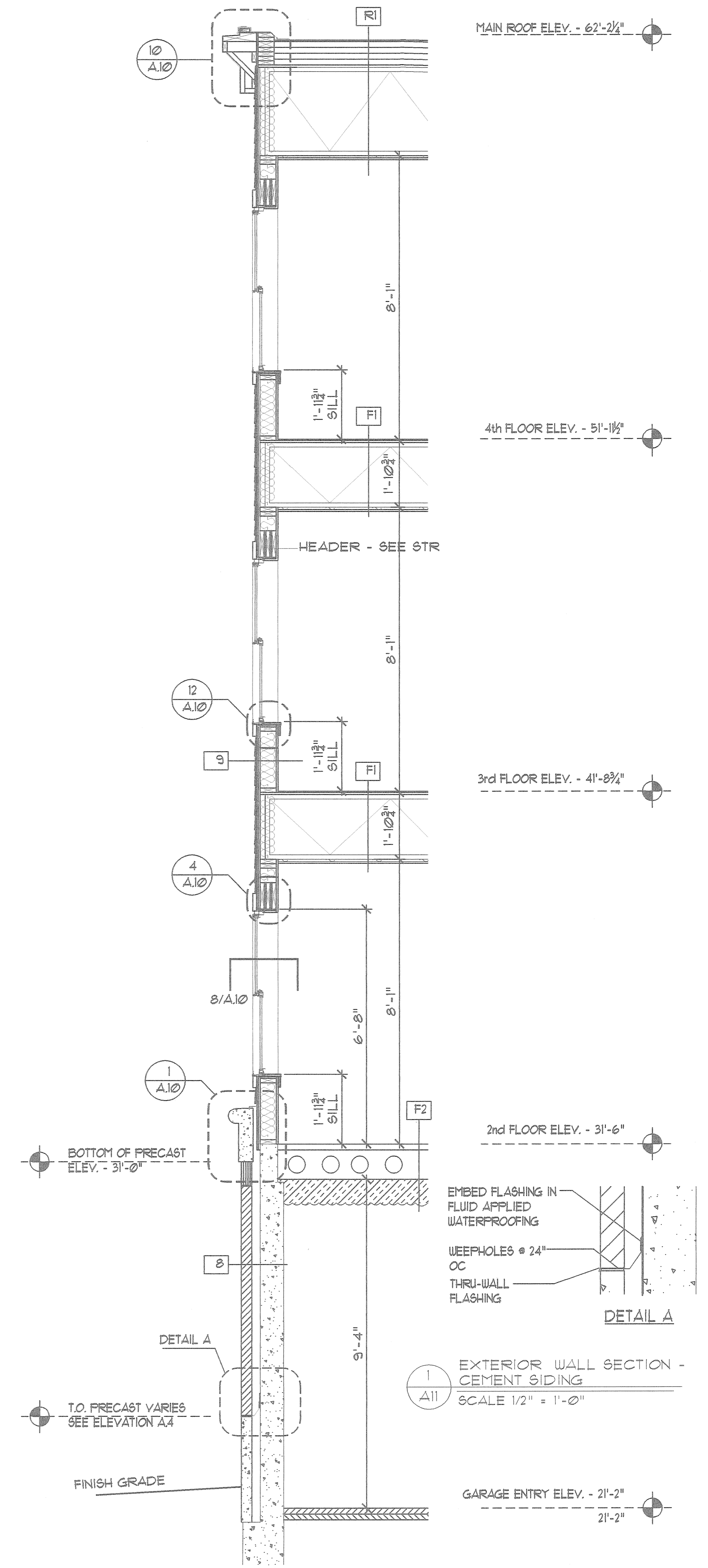


- KEYED NOTES:
- 1 3 1/2" 20 GA STEEL STUDS @ 16" OC
 - 2 R19 BATT INSULATION
 - 3 1/2" EXTERIOR GRADE PLYWOOD SHEATHING
 - 4 3/8" G.B. - PTD.

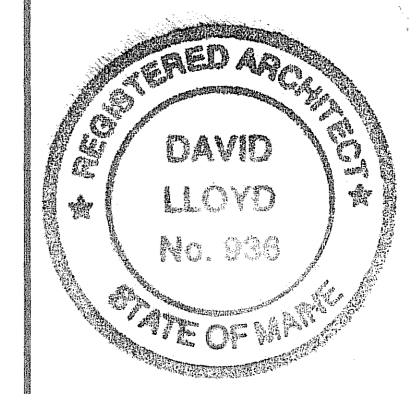
A SECTION
SCALE 1" = 1'-0"



2 EXTERIOR WALL SECTION - BRICK VENEER
SCALE 1/2" = 1'-0"



1 EXTERIOR WALL SECTION - CEMENT SIDING
SCALE 1/2" = 1'-0"



Owner:
315 VALLEY STREET, L.P.
P.O. BOX 560
PORTLAND, MAINE 04112

Architect:
ARCHETYPE, P.A.
ARCHITECTS
48 Union Wharf Portland, Maine 04101
(207) 772-8022 Fax (207) 772-4056

Project:
VALLEY STREET APARTMENTS
GILMAN STREET
PORTLAND, MAINE 04102

Date: NOV 21 2005
Scale: As Noted

Drawing:
DETAIL WALL SECTIONS

A.11