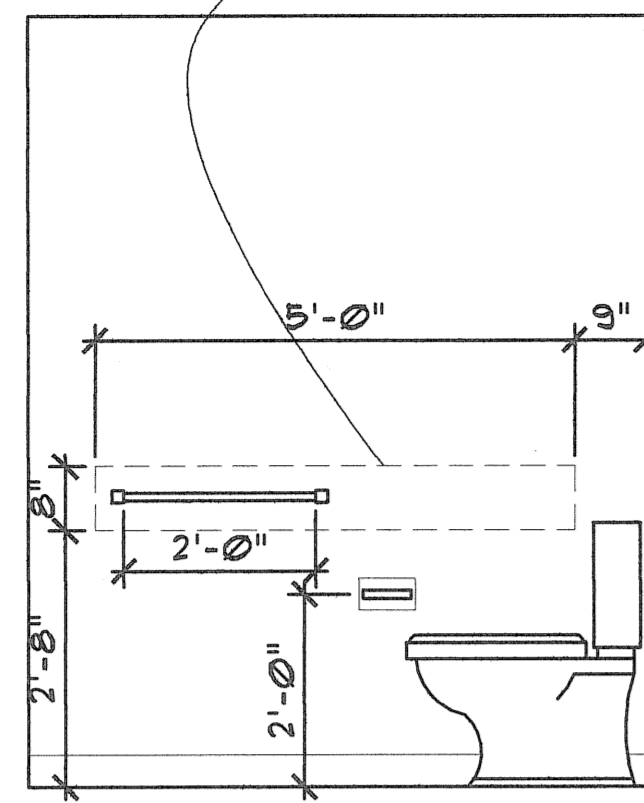
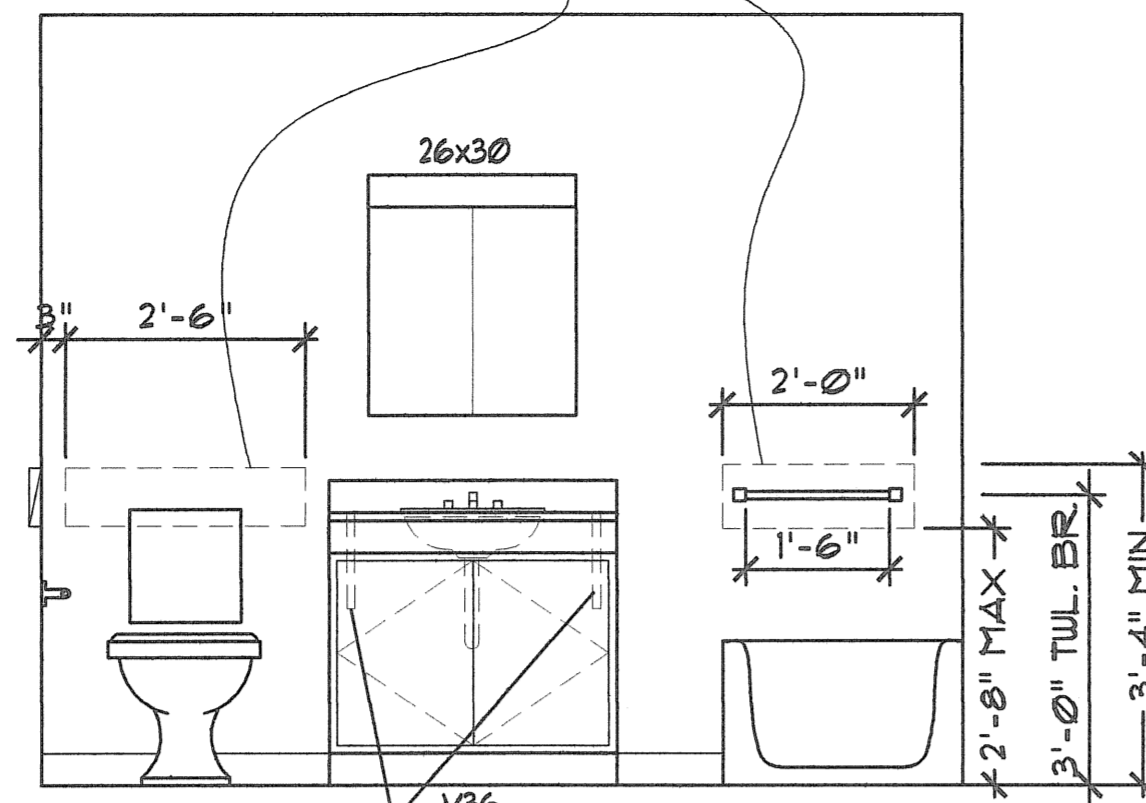


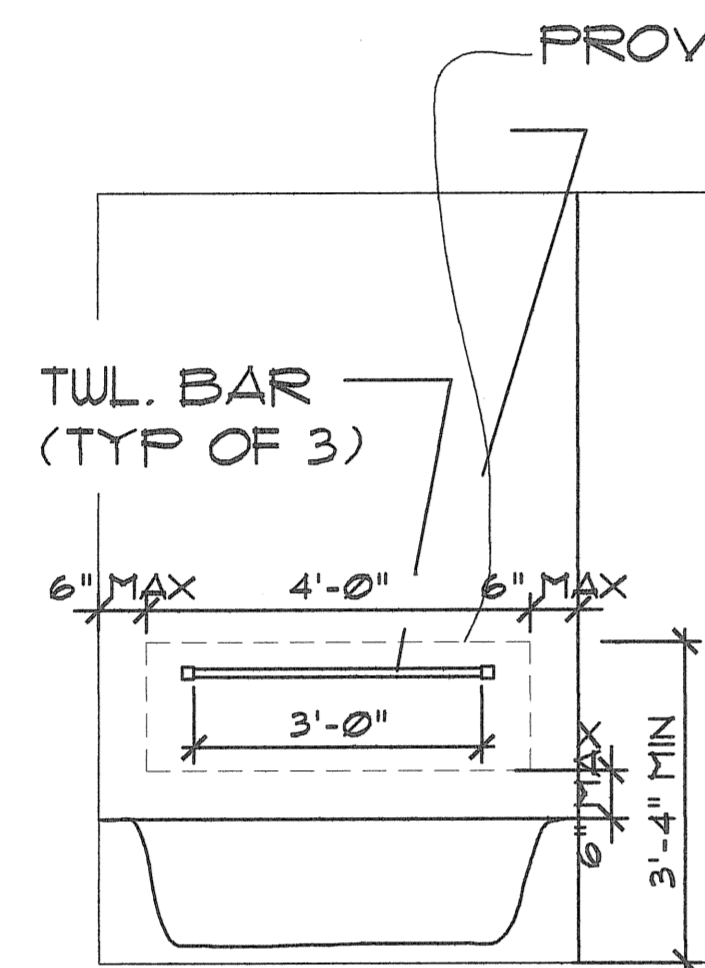
PROVIDE BLOCKING FOR FUTURE GRABRAILS
IN ALL BATHROOMS



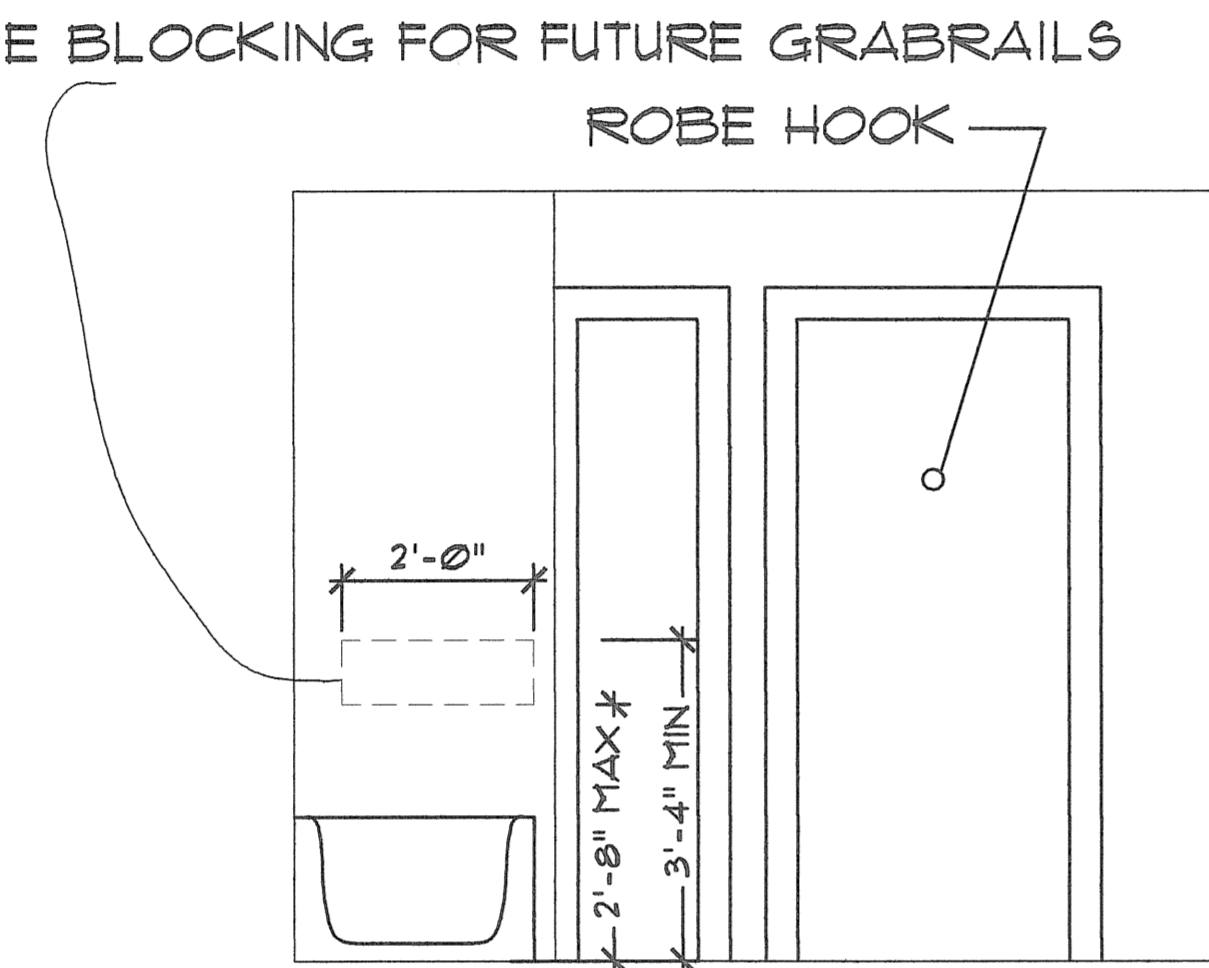
ELEVATION 1



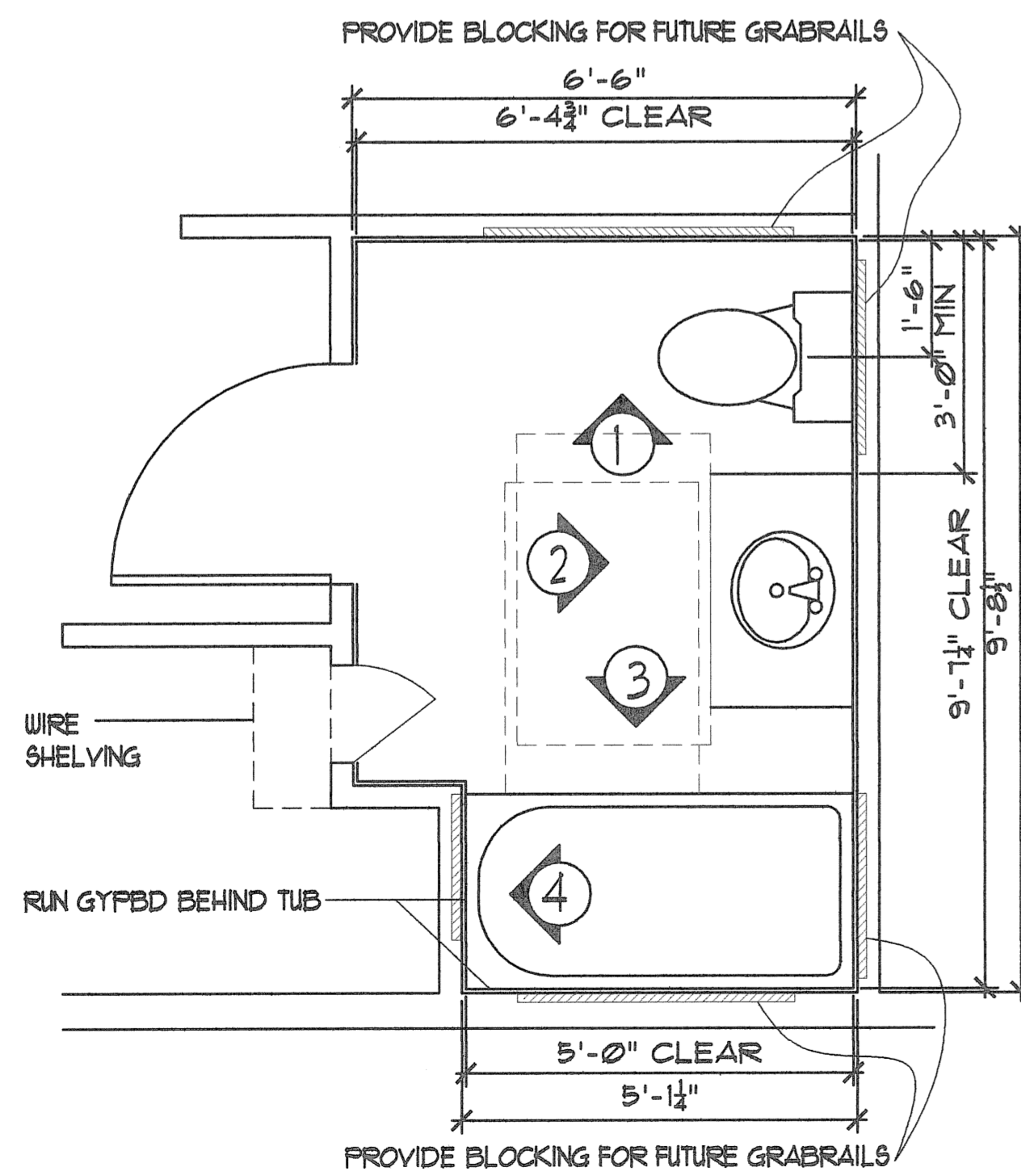
ELEVATION 2



ELEVATION 3

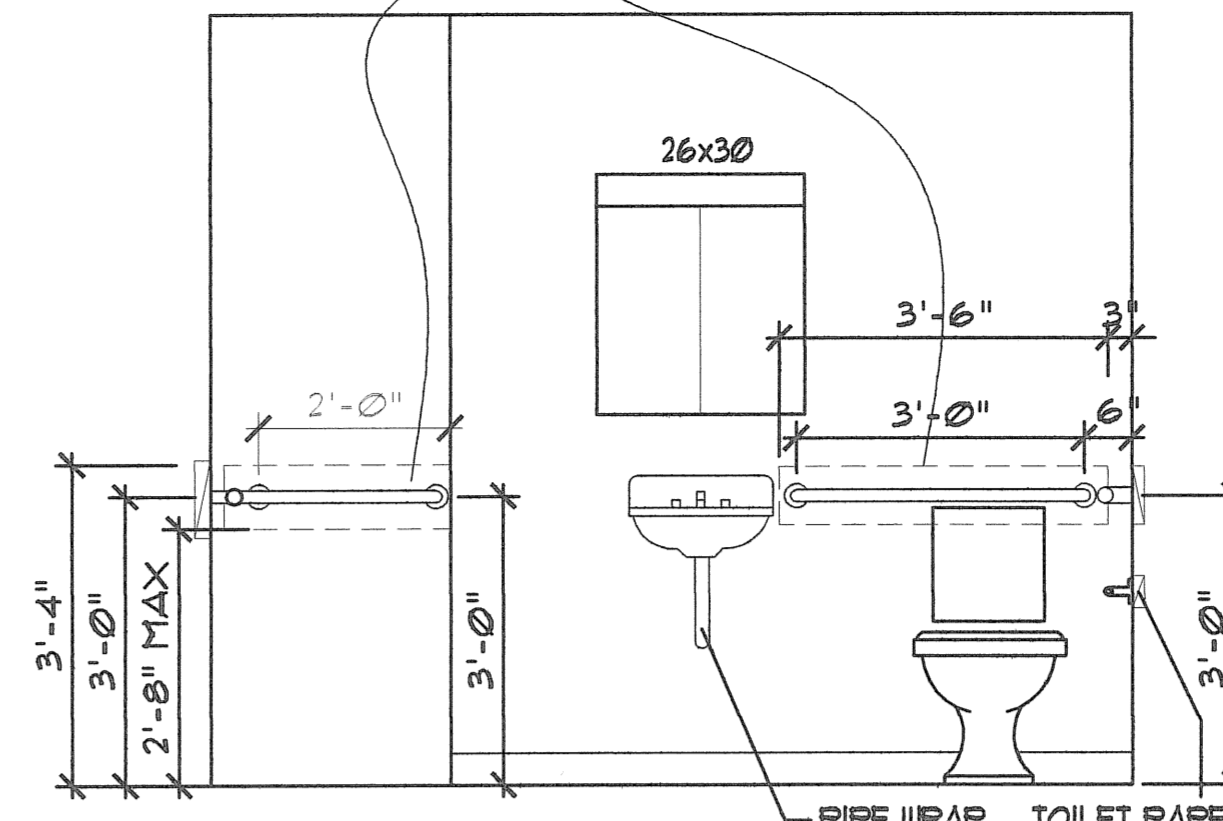


ELEVATION 4

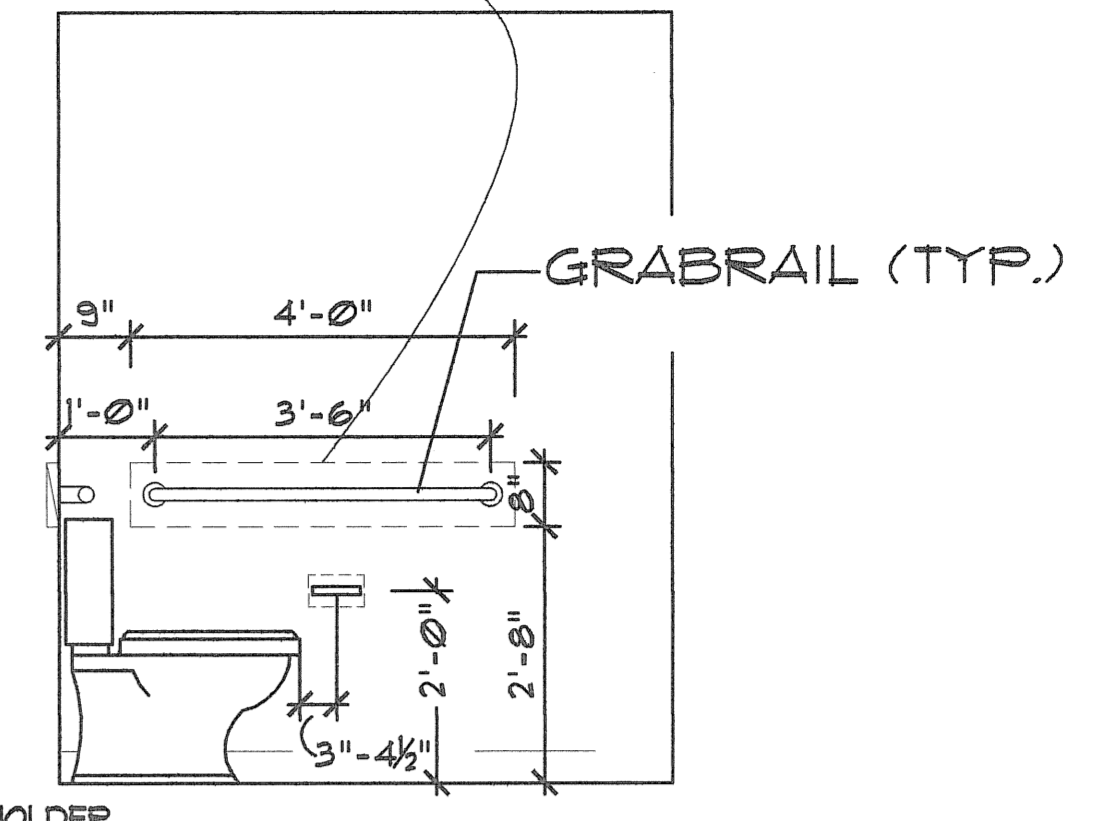


ADAPTABLE BATHROOMS

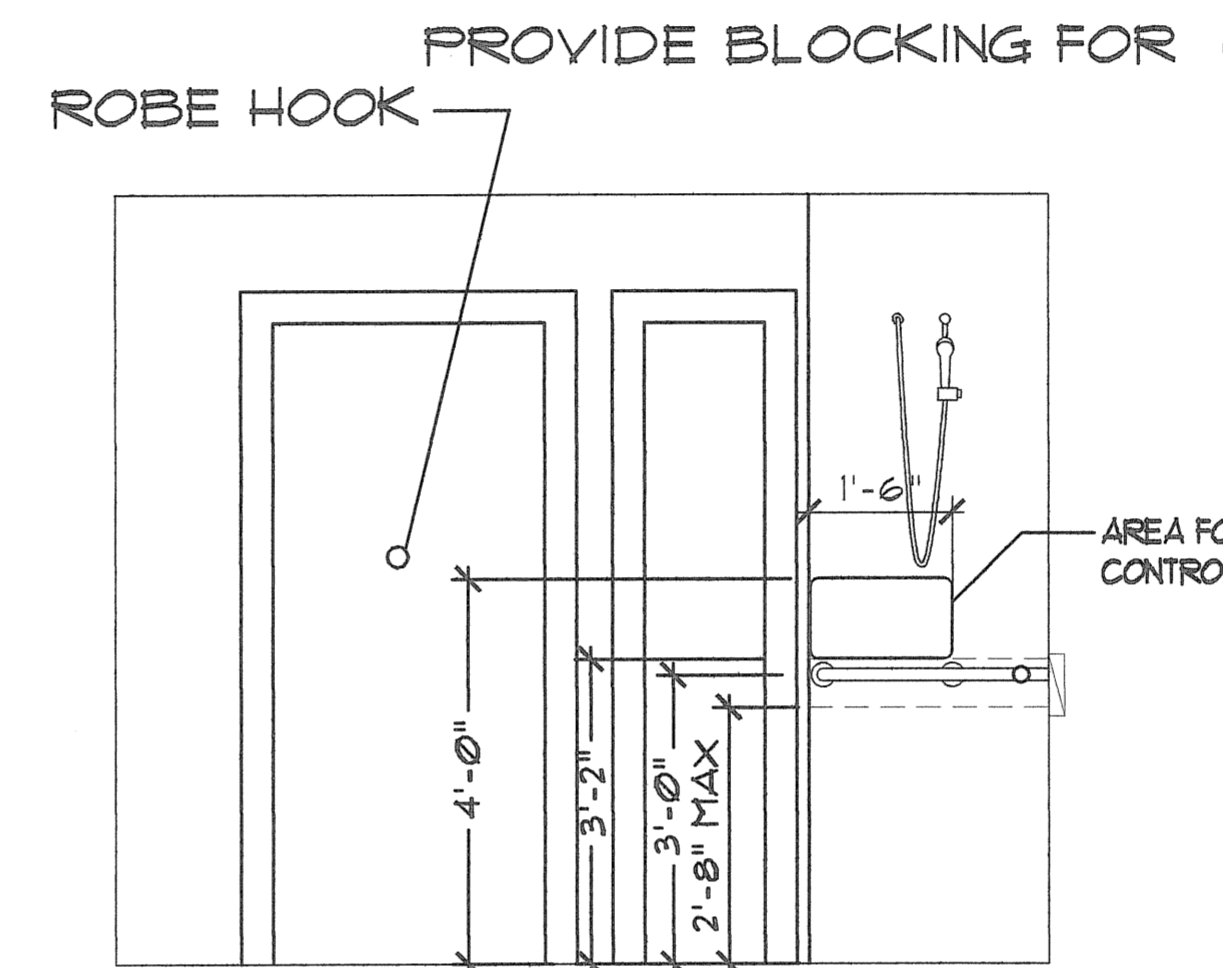
PROVIDE BLOCKING FOR GRABRAILS
IN ALL BATHROOMS



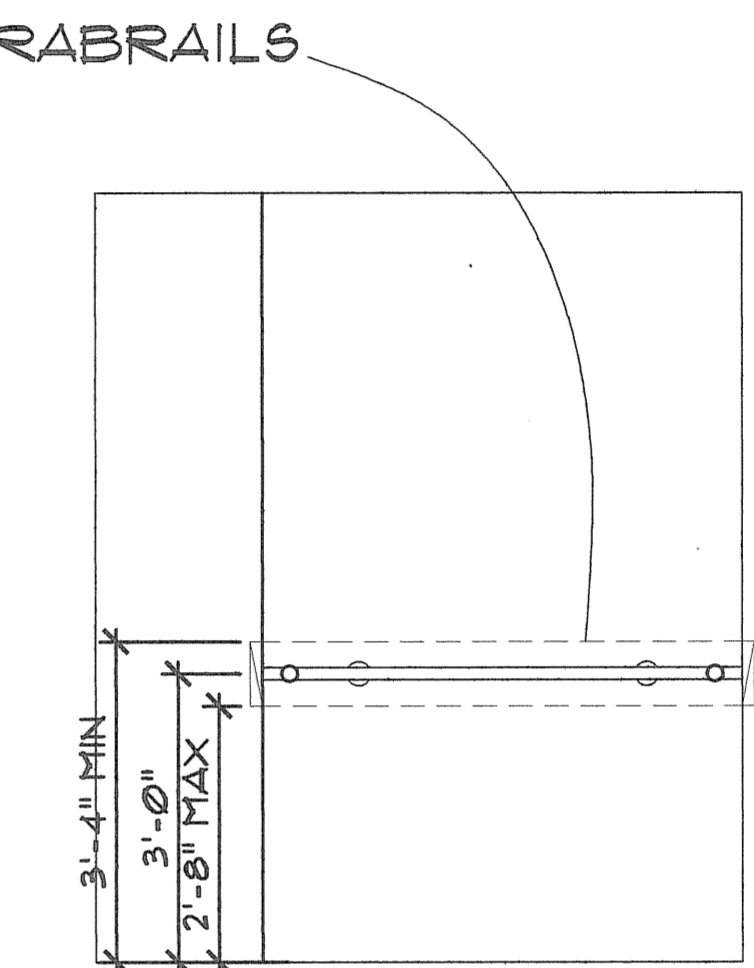
ELEVATION 2



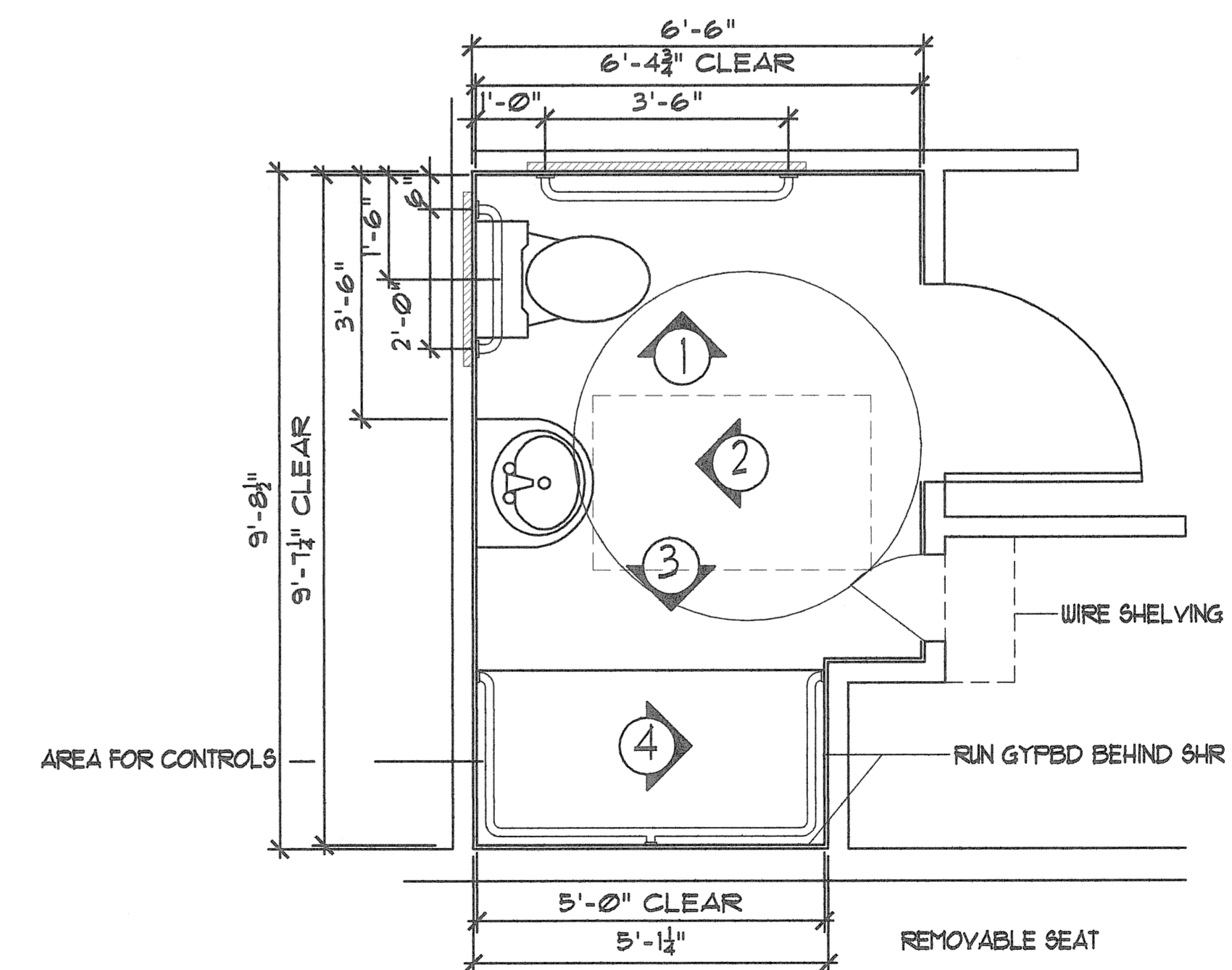
ELEVATION 1



ELEVATION 4

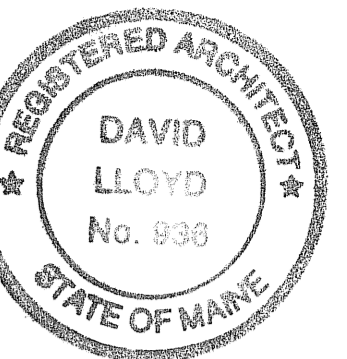


ELEVATION 3



ACCESSIBLE BATHROOMS ARE IN UNITS 208, 308 & 408. PROVIDE ROLL-IN SHOWER IN BATHROOM 208, TRANSFER TYPE TUB/SHOWERER IN 308 & 408.

ACCESSIBLE BATHROOMS



Owner:
315 VALLEY STREET, L.P.
P.O. BOX 560
PORTLAND, MAINE 04112

Architect:
ARCHETYPE, P.A.
ARCHITECTS
48 Union Wharf Portland, Maine 04101
(207) 772-6022 Fax (207) 772-4056

Project:
VALLEY STREET APARTMENTS
GILMAN STREET
PORTLAND, MAINE 04102

Date:
NOV 21 2005

Scale:
As Noted

Drawing:
BATHROOM PLANS &
ELEVATIONS