

DOOR SCHEDULE

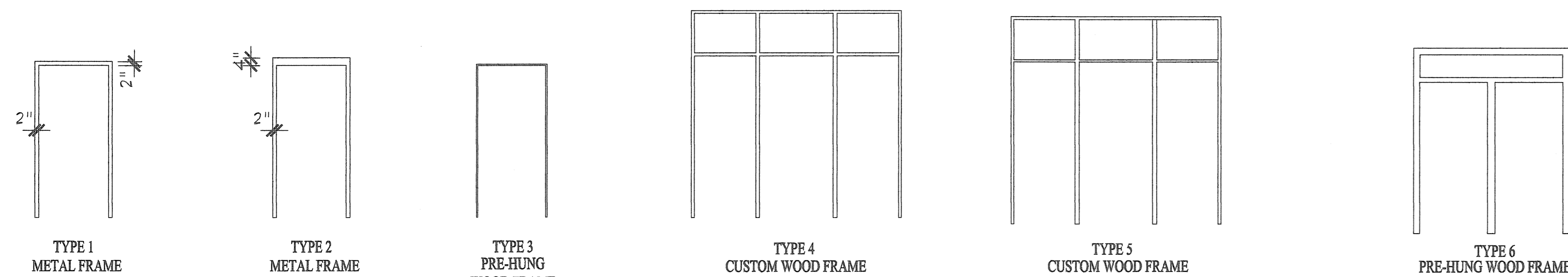
DOOR No.	SIZE			DOOR			FRAME			LABEL	HARDWARE SET	REMARKS
	Width	Height	Thick	Type	Material	Finish	Type	Material	Finish			
101	12'-4" M.O.	7'-0" M.O.		H	Metal	Factory	---	Metal	Factory	---	Rolling Service Door	Garage 104 to Exterior
102	3'-0"	6'-8"	1 3/4"	I	Metal	Ptd.	1	Metal	Ptd.	45 Min	Hdwr. Heading 3, Storeroom Function	Garage 104 to Boiler Room 106
103	3'-0"	6'-8"	1 3/4"	I	Metal	Ptd.	2	Metal	Ptd.	45 Min	Hdwr. Heading 3, Entrance Set	Exterior to Garage 104
104	3'-0"	6'-8"	1 3/4"	I	Metal	Ptd.	2	Metal	Ptd.	60 Min	Hdwr. Heading 3, Exit Set	Stair 105 to Exterior
105	3'-0"	6'-8"	1 3/4"	I	Metal	Ptd.	1	Metal	Ptd.	45 Min	Hdwr. Heading 3, Storeroom Set	Mech 101 to Elevator Mechanical Room 108
106	3'-0"	6'-8"	1 3/4"	I	Metal	Ptd.	1	Metal	Ptd.	2 Hour	Hdwr. Heading 3, Passage Set	Garage 104 to Stair 102
107	3'-0"	6'-8"	1 3/4"	I	Metal	Ptd.	1	Metal	Ptd.	45 Min	Hdwr. Heading 3, Storeroom Set	Garage 104 to Electrical Room 109
108	3'-0"	6'-8"	1 3/4"	I	Metal	Ptd.	1	Metal	Ptd.	45 Min	Hdwr. Heading 3, Storeroom Set	Garage 104 to Mechanical 101
109	3'-0"	6'-8"	1 3/4"	I	Metal	Ptd.	2	Metal	Ptd.	60 Min	Hdwr. Heading 3, Exit Set	Stair 102 to Exterior
201	3'-0"	7'-0"	1 3/4"	M	Wood/Glass	Natural	4	Wood	Ptd.	---	Hdwr. Heading 2, Push Pull	Vestibule 214 to Exterior, Custom Oak Door/Transom/Sidelights
202	3'-0"	7'-0"	1 3/4"	G	Wood/Glass	Natural	5	Wood	Ptd.	---	Hdwr. Heading 1, Entrance Set	Lobby 213 to Vestibule 214, Custom Oak Door/Transom/Sidelights
203	3'-0"	6'-8"	1 3/4"	K	Oak / Flush	Natural	1	Metal	Ptd.	1 1/2 Hour	Hdwr. Heading 4, Passage Set	Lobby 200 to Laundry 215
204	3'-0"	6'-8"	1 3/4"	K	Oak / Flush	Natural	1	Metal	Ptd.	1 1/2 Hour	Hdwr. Heading 4, Passage Set	Stair 102 from Lobby 200
205	NOT USED											
206	NOT USED											
207	3'-0"	6'-8"	1 3/4"	K	Oak / Flush	Natural	1	Metal	Ptd.	2 Hour	Hdwr. Heading 4, Passage Set	Corridor 218 to Stair 207
301	3'-0"	6'-8"	1 3/4"	K	Oak / Flush	Natural	1	Metal	Ptd.	2 Hour	Hdwr. Heading 4, Passage Set	Corridor 316 to Stair 102
302	3'-0"	6'-8"	1 3/4"	K	Oak / Flush	Natural	1	Metal	Ptd.	1 1/2 Hour	Hdwr. Heading 4, Passage Set	Corridor 316 to Laundry 315
303	NOT USED											
304	3'-0"	6'-8"	1 3/4"	K	Oak / Flush	Natural	1	Metal	Ptd.	2 Hour	Hdwr. Heading 4, Passage Set	Corridor 316 to Stair 105
305	3'-0"	6'-8"	1 3/4"	K	Oak / Flush	Natural	1	Metal	Ptd.	20 Min.	Hdwr. Heading 4, Entrance Set	Corridor 316 to Community Room 314
401	3'-0"	6'-8"	1 3/4"	K	Oak / Flush	Natural	1	Metal	Ptd.	2 Hour	Hdwr. Heading 4, Passage Set	Corridor 416 to Stair 102
402	3'-0"	6'-8"	1 3/4"	K	Oak / Flush	Natural	1	Metal	Ptd.	1 1/2 Hour	Hdwr. Heading 4, Passage Set	Corridor 416 to Laundry 415
403	3'-0"	6'-8"	1 3/4"	K	Oak / Flush	Natural	1	Metal	Ptd.	20 Min.	Hdwr. Heading 4, Entrance Set	Corridor 416 to Community Room 403
404	3'-0"	6'-8"	1 3/4"	K	Oak / Flush	Natural	1	Metal	Ptd.	2 Hour	Hdwr. Heading 4, Passage Set	Corridor 416 to Stair 105
405	(2) 3'-0"	6'-8"	1 3/4"	L	Alum. Clad Wd.	Ptd.	6	Wood	Ptd.	---	Sliding Patio Door, Section 08610	Comm. Rm. 403 at French Balcony

UNIT DOOR SCHEDULE

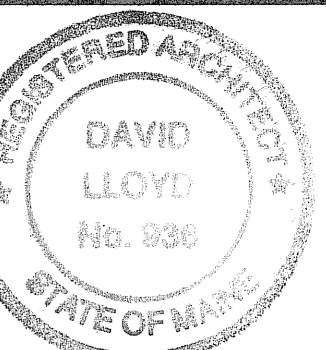
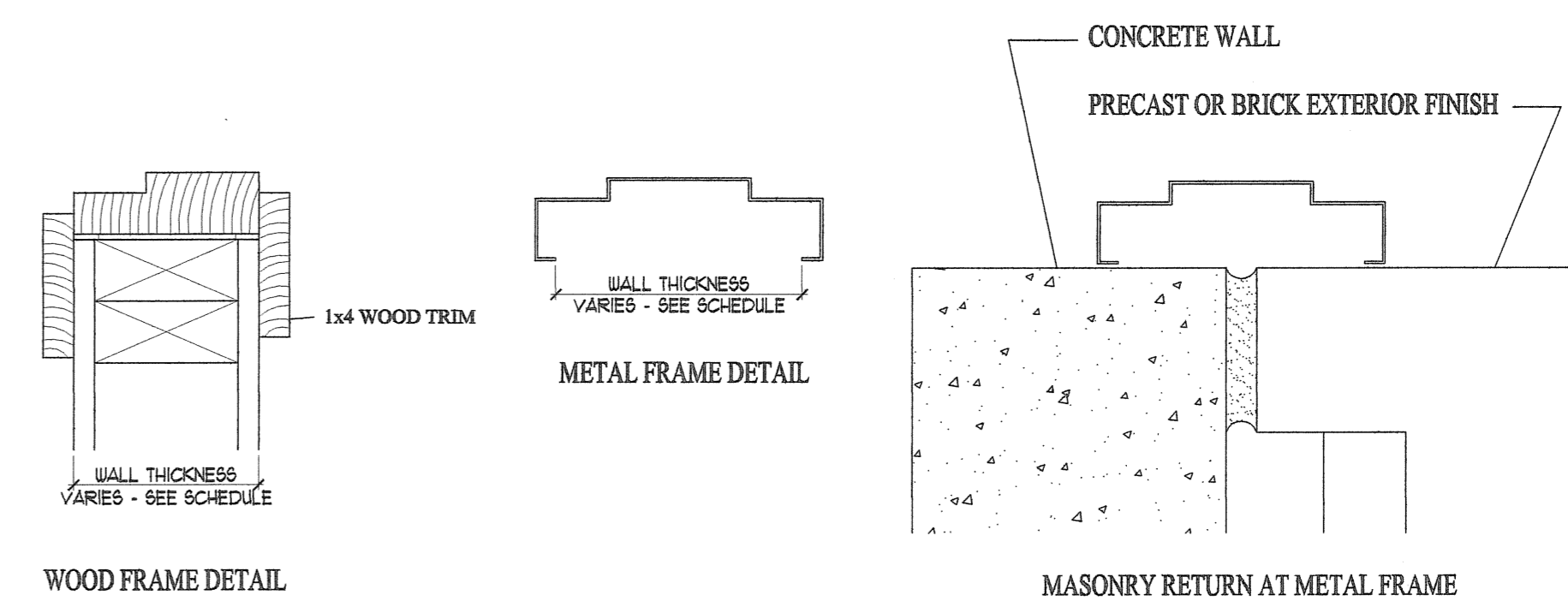
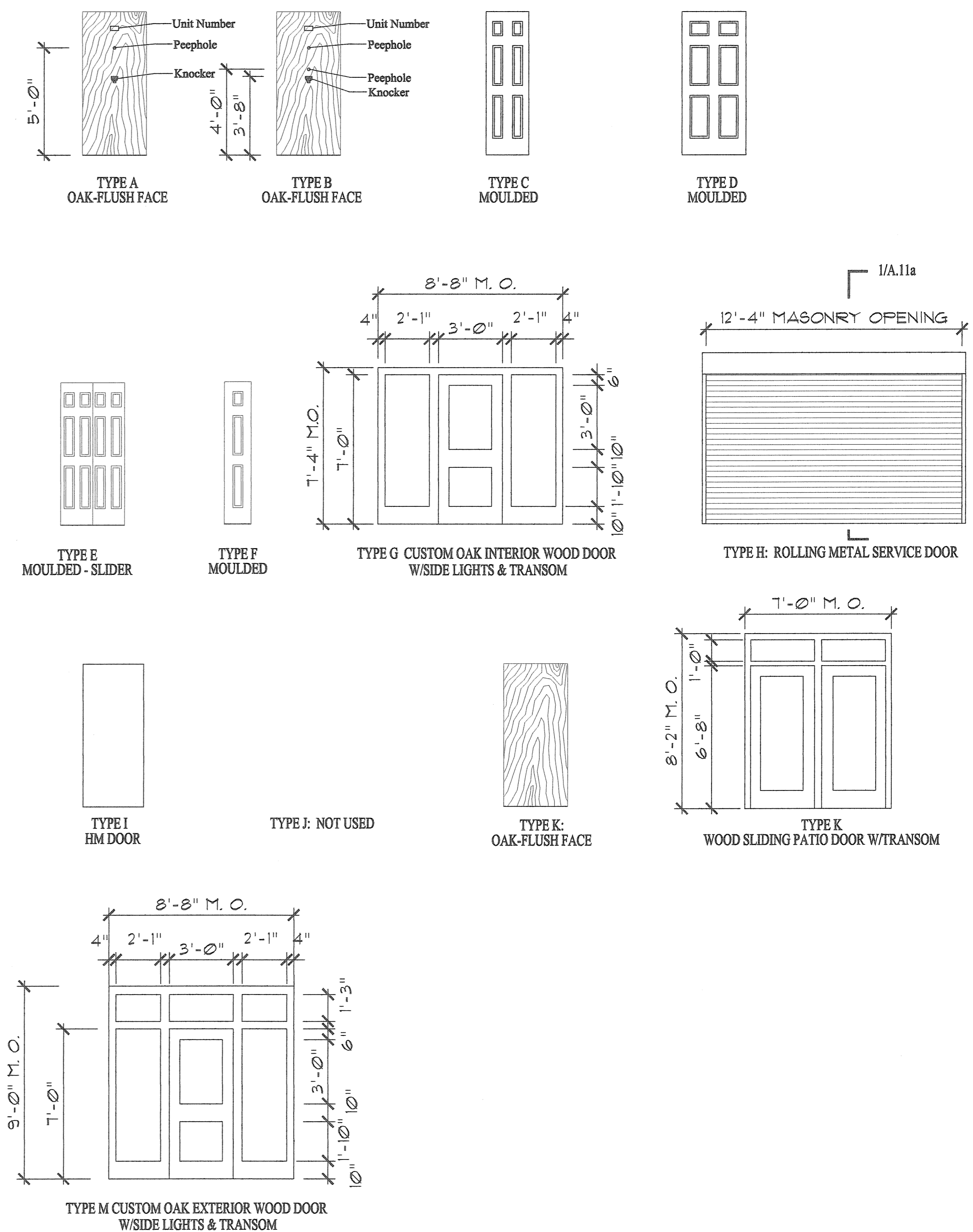
DOOR No.	SIZE			DOOR			FRAME			LABEL	HARDWARE	REMARKS
	Width	Height	Thick	Type	Material	Finish	Type	Material	Finish			
1	3'-0"	6'-8"	1 3/4"	A	Oak / Flush	Natural	1	Metal	Ptd.	20 MIN	Hdwr. Heading 5, Entrance Set	Corridor to Unit
2	2'-0"	6'-8"	1 3/8"	C	Moulded	Ptd.	3	Wood	Ptd.	---	Hdwr. Heading 6, Passage Set	Closet to Unit
3	3'-0"	6'-8"	1 3/8"	D	Moulded	Ptd.	3	Wood	Ptd.	---	Hdwr. Heading 6, Privacy Set	Unit to Bedroom
4	3'-6"	6'-8"	1 3/8"	E	Moulded	Ptd.	CASED OPENING			---	Hdwr. Heading 7, Sliding Closet Doors	Bedroom to Closet
5	3'-0"	6'-8"	1 3/8"	D	Moulded	Ptd.	3	Wood	Ptd.	---	Hdwr. Heading 6, Passage Set	Closet to Unit
6	3'-0"	6'-8"	1 3/8"	D	Moulded	Ptd.	3	Wood	Ptd.	---	Hdwr. Heading 6, Privacy Set	Bathroom to Unit
7	1'-3"	6'-8"	1 3/8"	F	Moulded	Ptd.	3	Wood	Ptd.	---	Hdwr. Heading 6, Passage Set	Linen Closet Door
8	not used											
9	3'-0"	6'-8"	1 3/4"	B	Oak / Flush	Natural	1	Metal	Ptd.	20 MIN	Hdwr. Heading 5, Entrance Set	Corridor to Unit (HC Unit)

GENERAL DOOR NOTES
 1. ALL DOORS TO HAVE ADA APPROVED LEVER HARDWARE.
 2. ALL GLAZING TO BE TEMPERED GLASS.

FRAME TYPES



DOOR & FRAME TYPES



Owner:
 315 VALLEY STREET, LP
 P.O. BOX 560
 PORTLAND, MAINE 04112

Architect:
ARCHETYPE, P.A.
ARCHITECTS
 48 Union Wharf Portland, Maine 04101
 (207) 772-6022 Fax (207) 772-4056

Project:
 VALLEY STREET APARTMENTS
 GILMAN STREET
 PORTLAND, MAINE 04102

Scale: As Noted
 Date: NOV 21 2005

Drawing:
**DOOR SCHEDULES,
 DOOR & WINDOW
 TYPES**

A.8