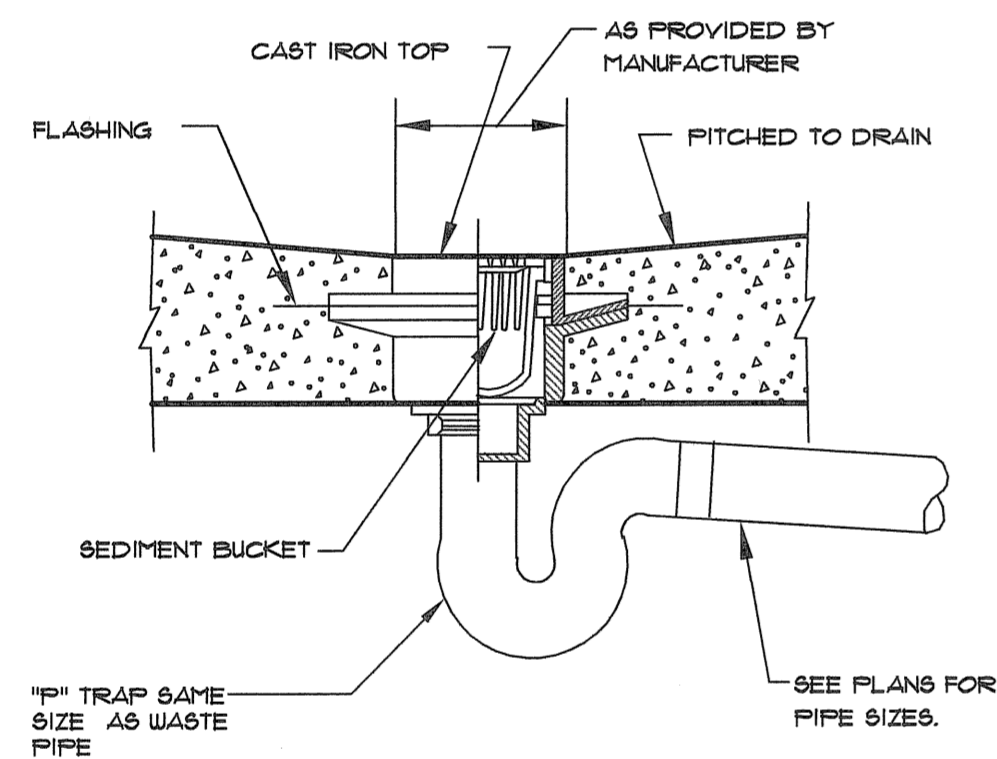
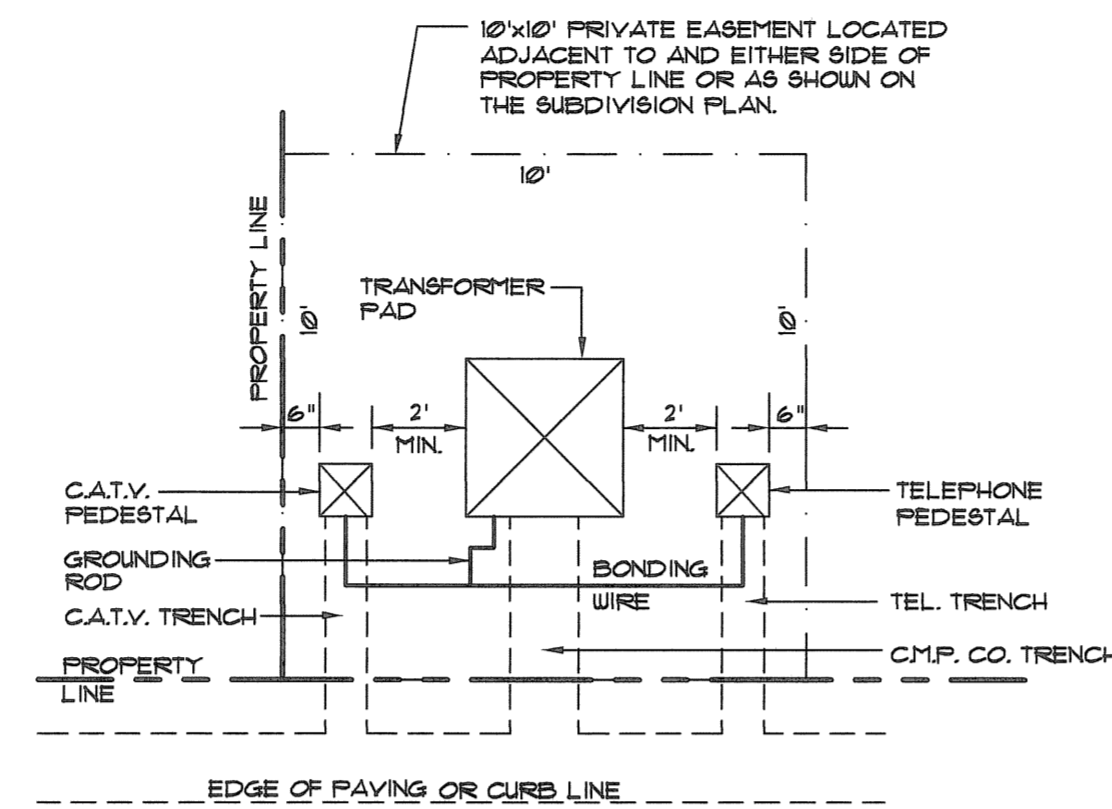


NOTE: ECHELON II GENESIS 6' TALL 3-RAIL x 6" NOMINAL ALUMINUM PANEL FENCE, MODEL # 2AGX30706 AS MANUFACTURED BY AMERISTAR, 1555 N. MINGO, TULSA, OK 74116. TEL: 800.321.8724 OR APPROVED EQUAL.

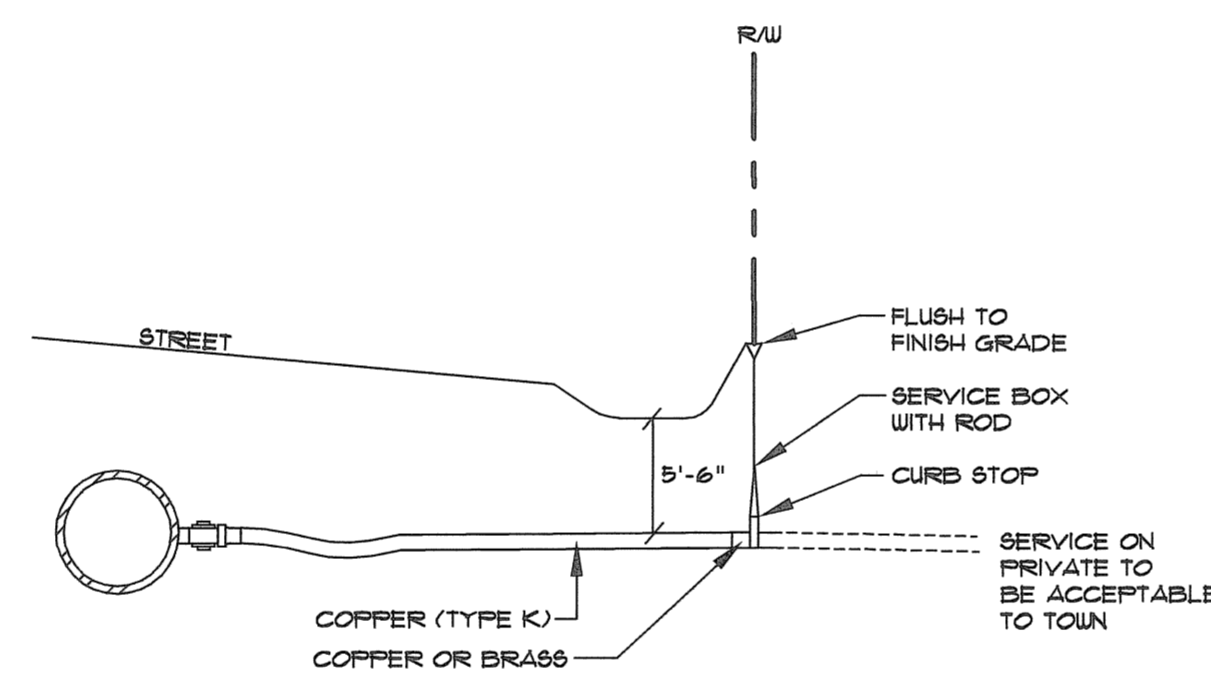
**ORNAMENTAL METAL FENCE**  
NOT TO SCALE



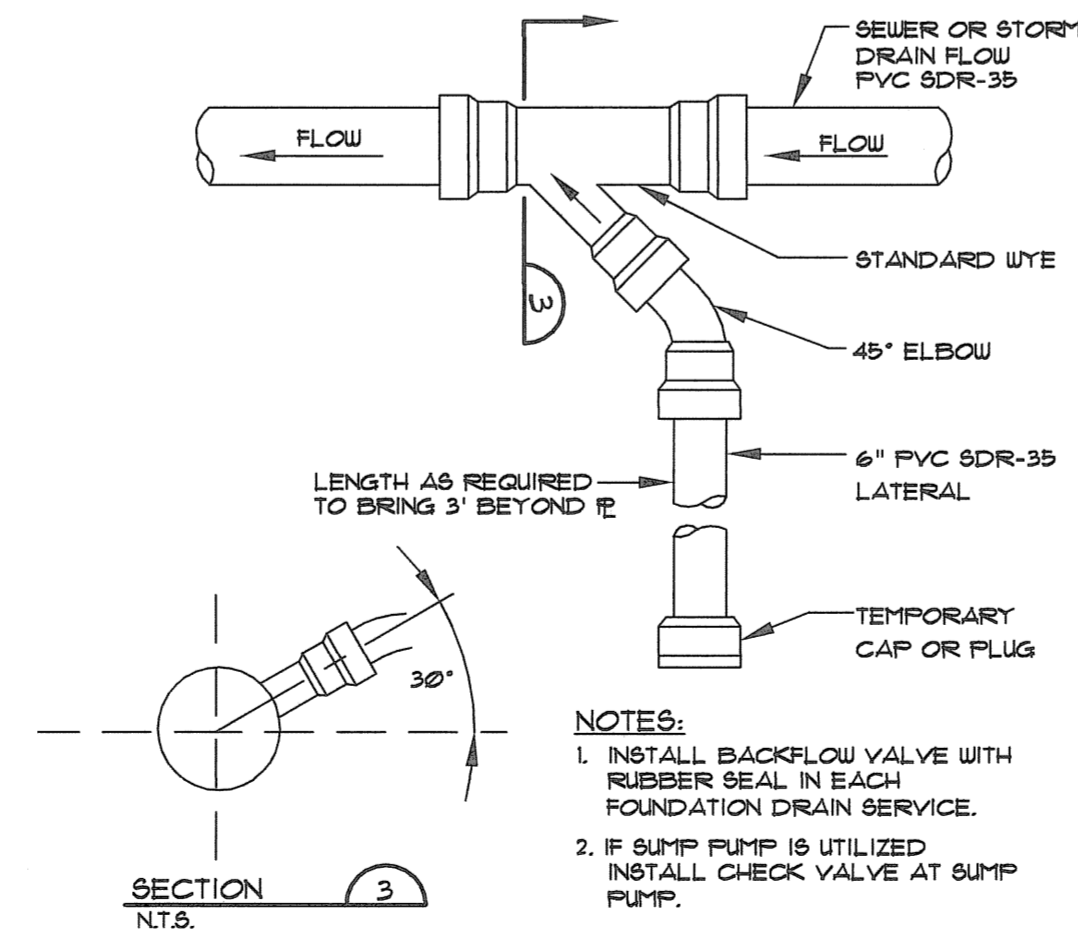
**FLOOR DRAIN "A" DETAIL**  
NOT TO SCALE



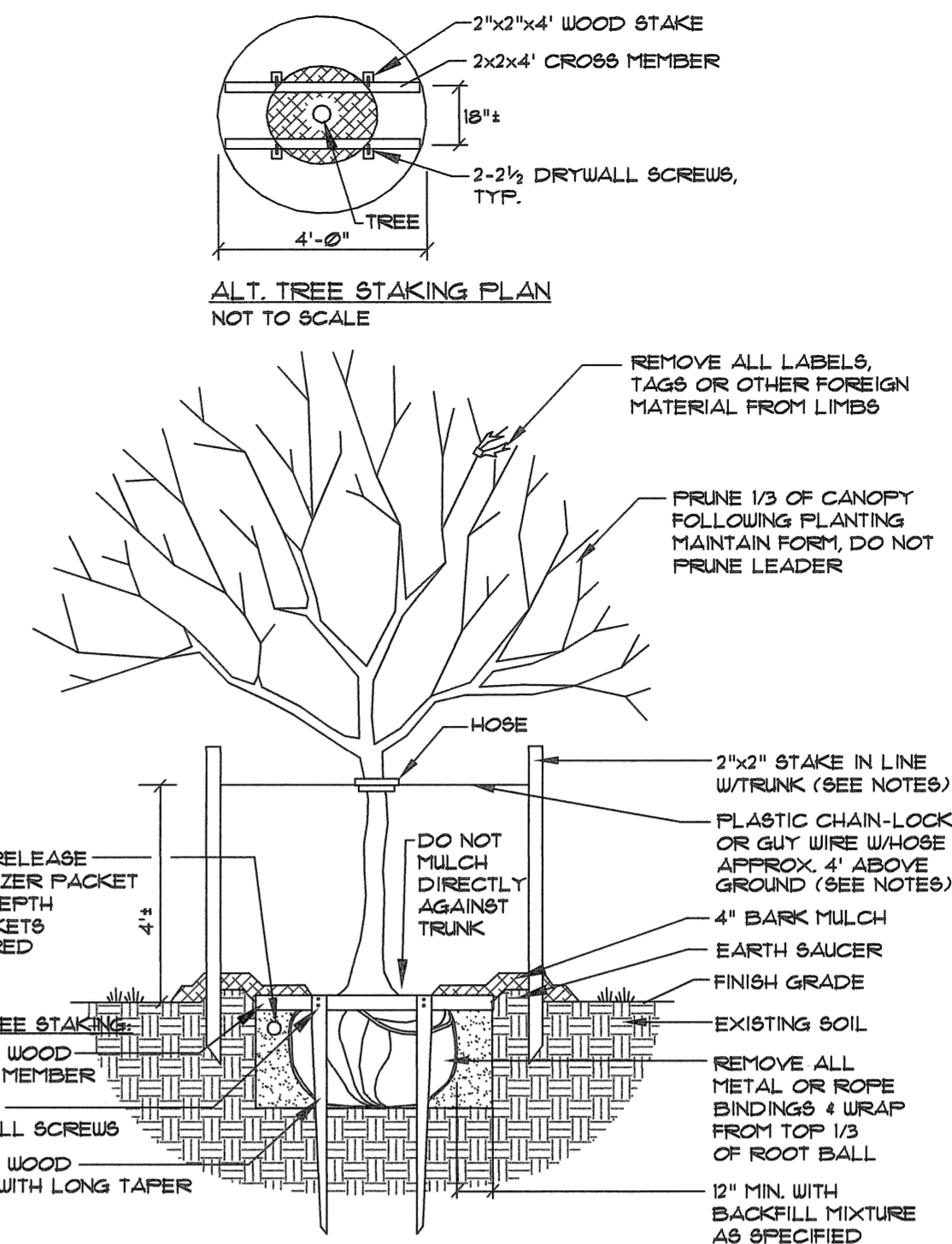
**TRANSFORMER DETAIL**  
NOT TO SCALE



**TYPICAL WATER SERVICE CONNECTION**  
NOT TO SCALE

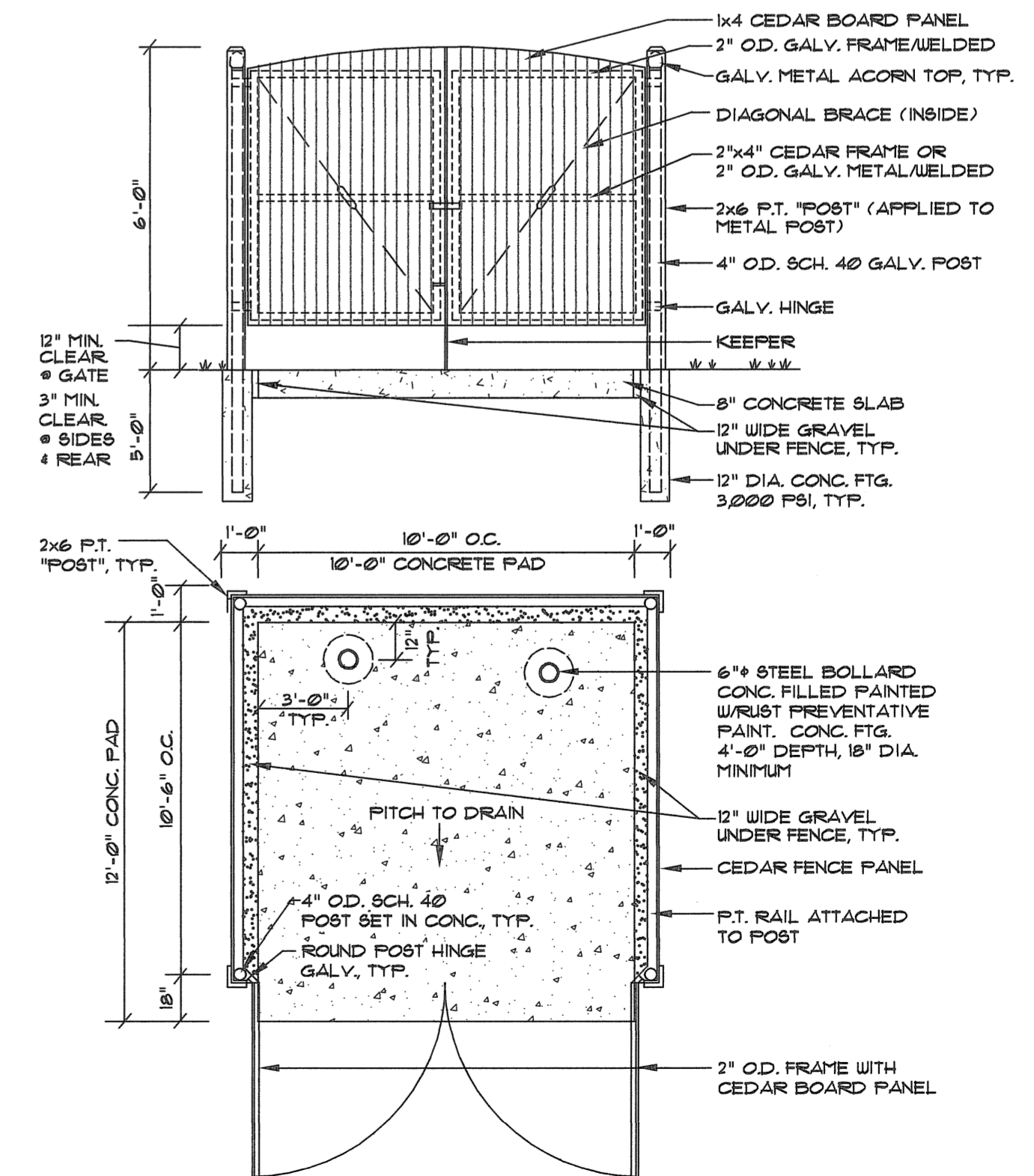


**SEWER / FOUNDATION DRAIN SERVICE CONNECTION**  
NOT TO SCALE



- NOTES:  
INSTALL STAKES AND GUYS TO TREES IF THE FOLLOWING APPLY:  
1. THE TREE IS OF SUBSTANTIAL SIZE.  
2. THE PLANTING LOCATION IS EXTREMELY WINDY, AS ON OPEN UNDEVELOPED SITES.  
3. THE PLANTING LOCATION IS COMPRISED OF SAND OR OTHER LOOSE TEXTURED SOILS.  
4. IF STAKES AND GUYS ARE REQUIRED, REMOVE AFTER ONE YEAR TIME.

**DECIDUOUS TREES 2" TO 4" CALIPER**  
NOT TO SCALE



**TYPICAL DUMPSTER ENCLOSURE**  
NOT TO SCALE

**Sebago Technics**  
Engineering Expertise You Can Build On  
One Chubb Street  
Westbrook, Me 04098-1339  
Tel (207) 858-0277

PROJECT NO. FIELD BOOK DESIGN CHKD DRAWN  
04040 JHW --- JHW ST

**DETAILS (BID SET)**  
FOR:  
VALLEY STREET APARTMENTS  
VALLEY STREET  
PORTLAND, MAINE  
FOR:  
315 VALLEY STREET LP  
P.O. BOX 560  
PORTLAND, MAINE 04112

DATE: 8-9-05 SCALE: AS NOTED  
SHEET 7 OF 7

04040D.3