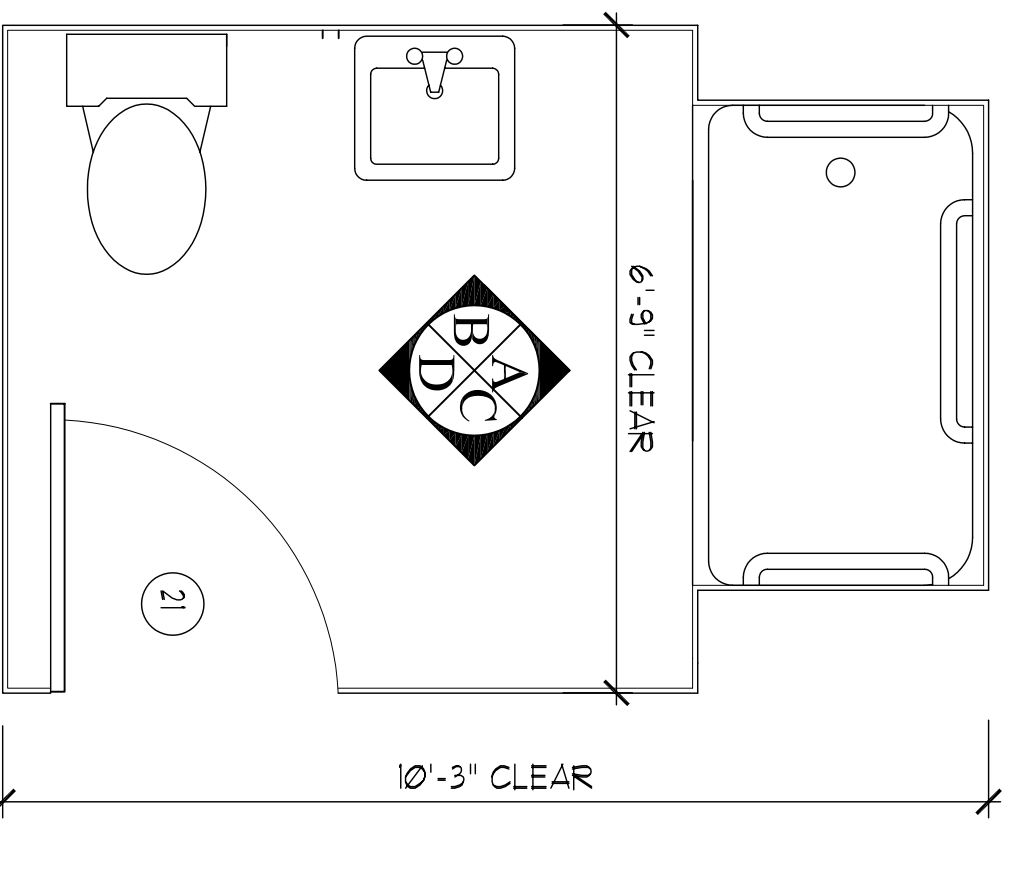
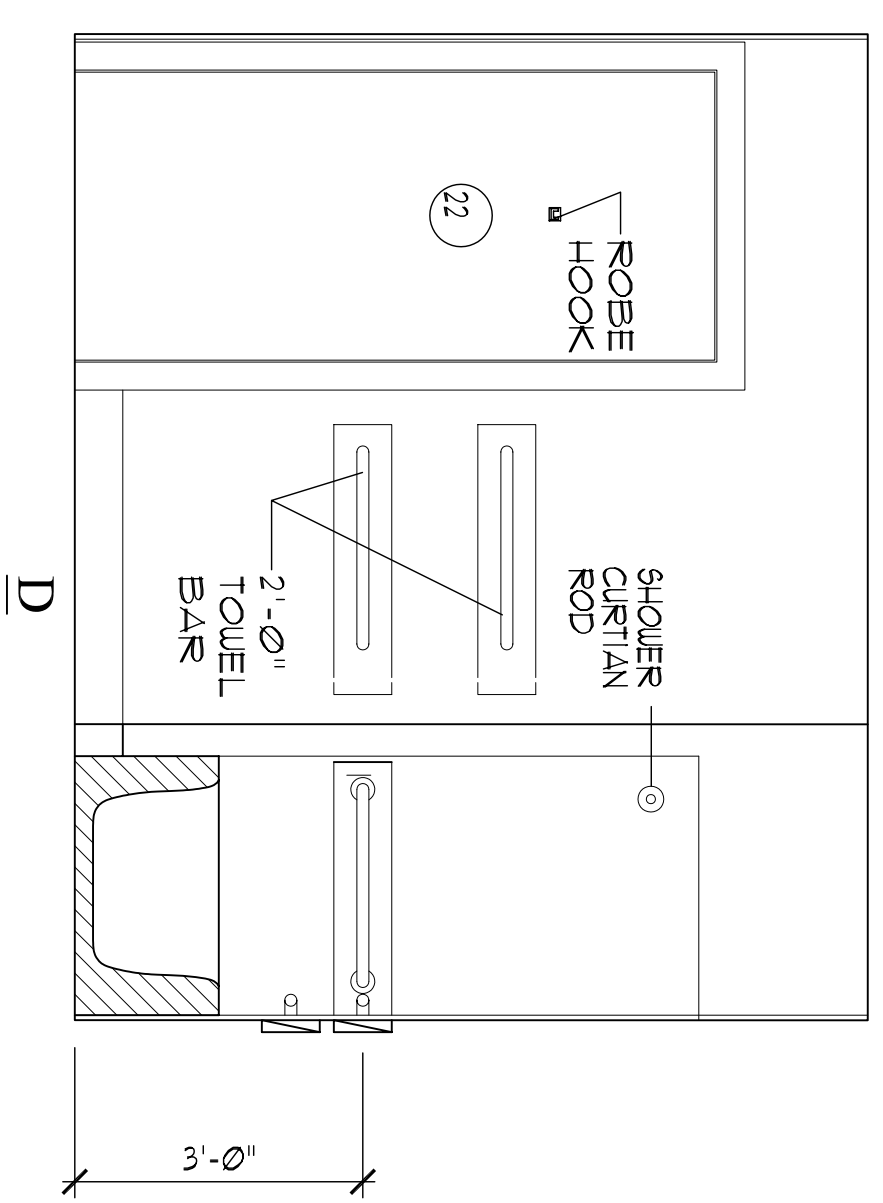
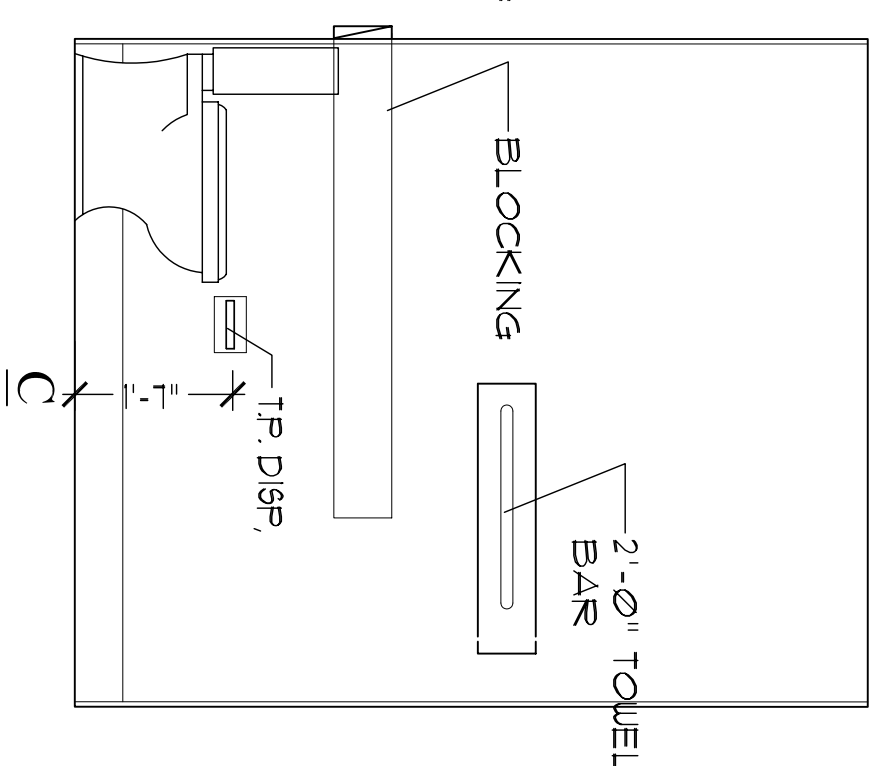
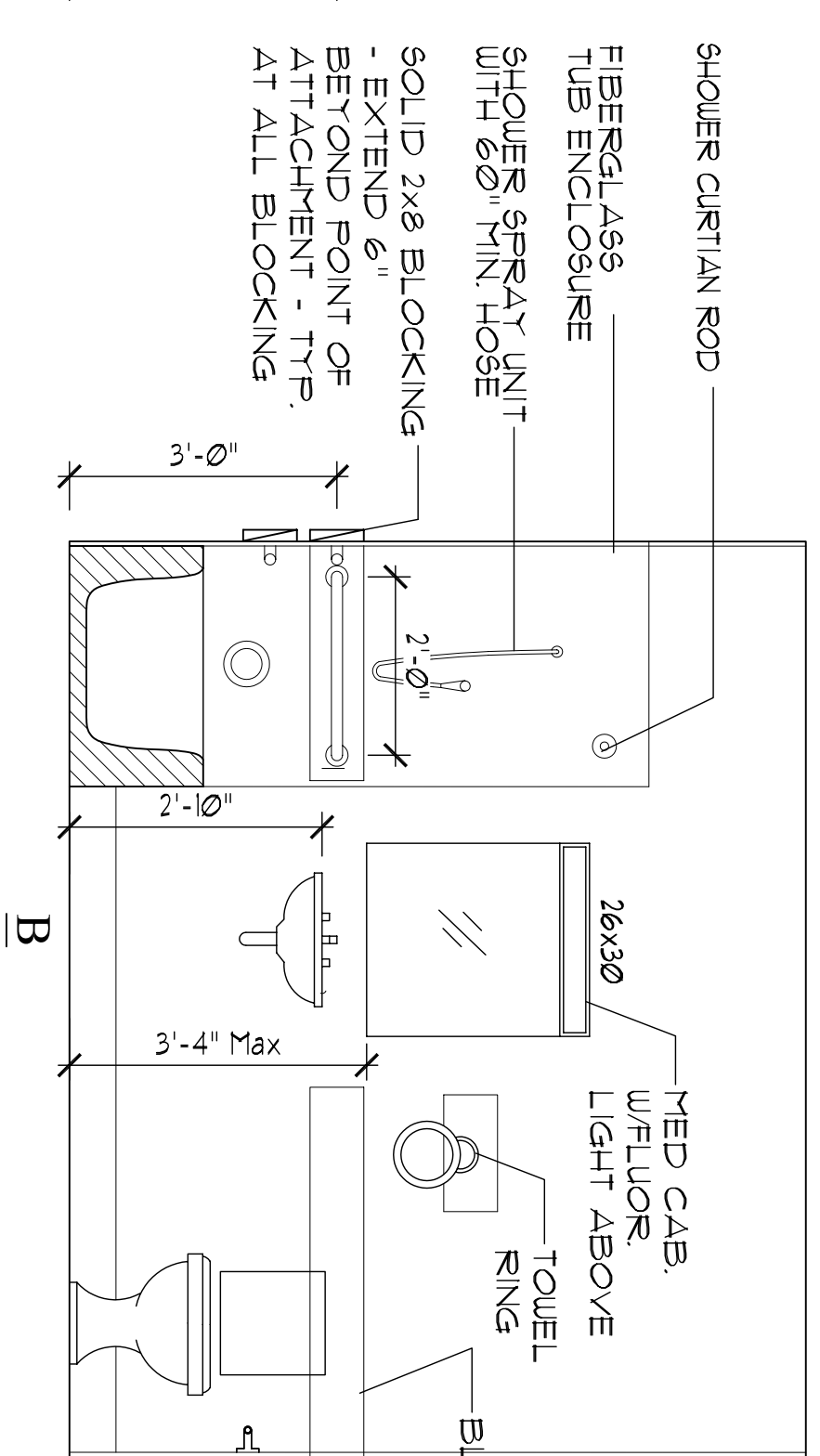
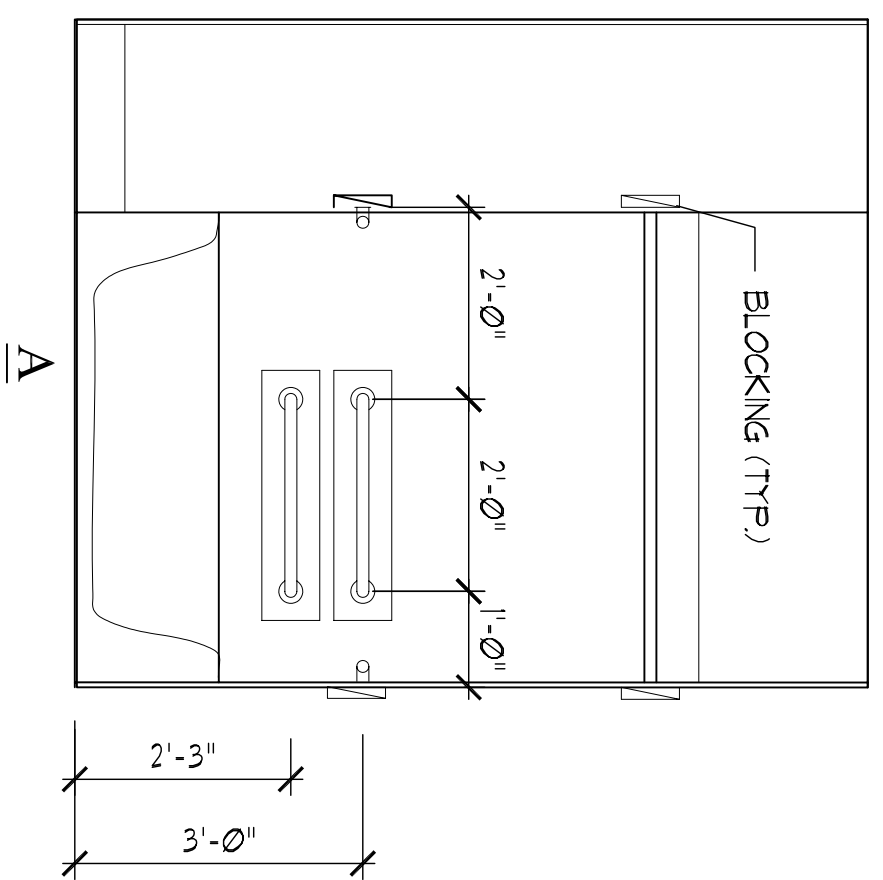
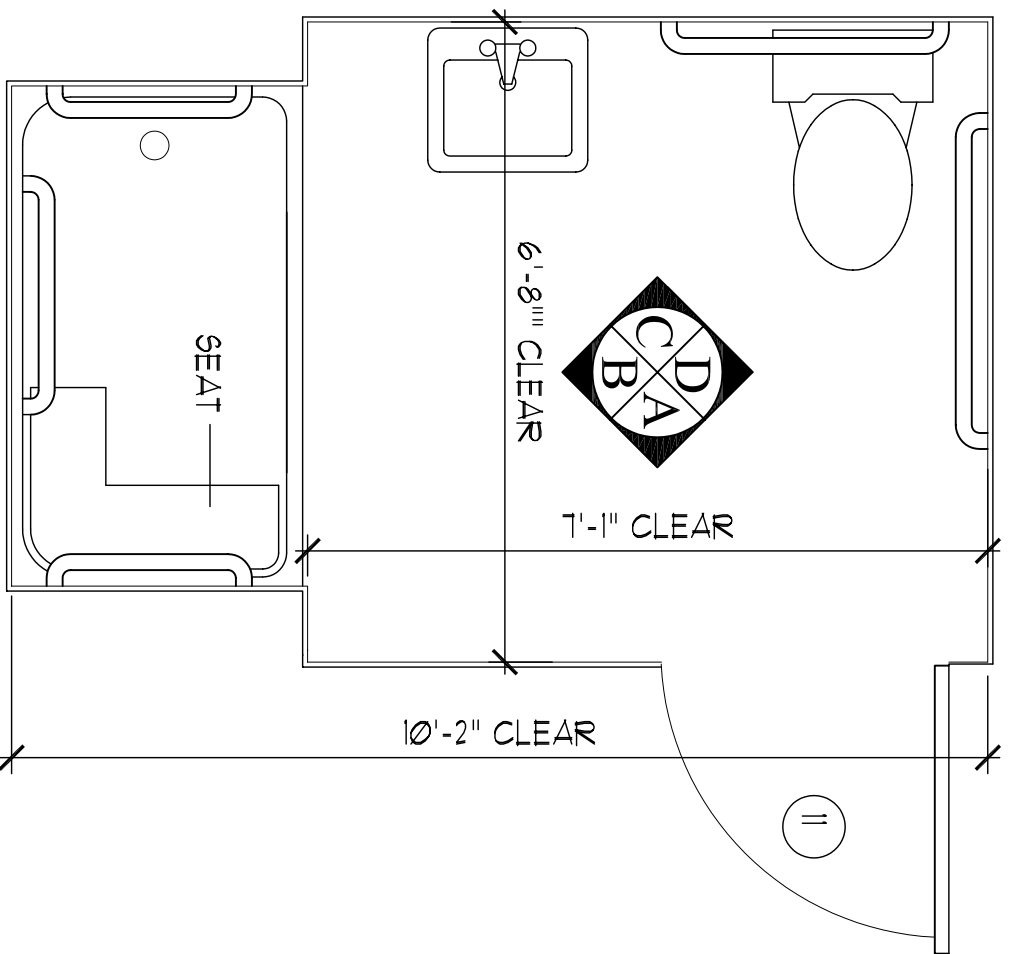
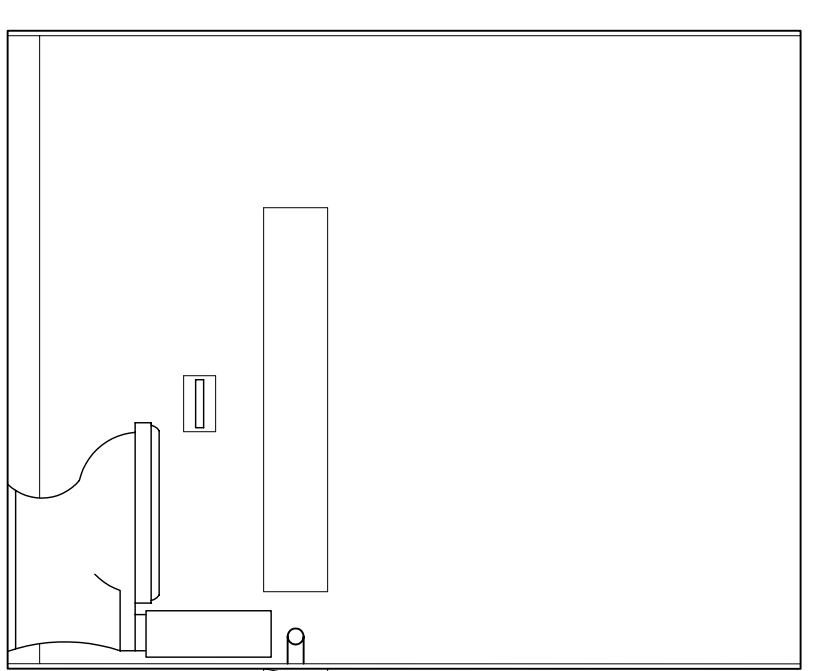
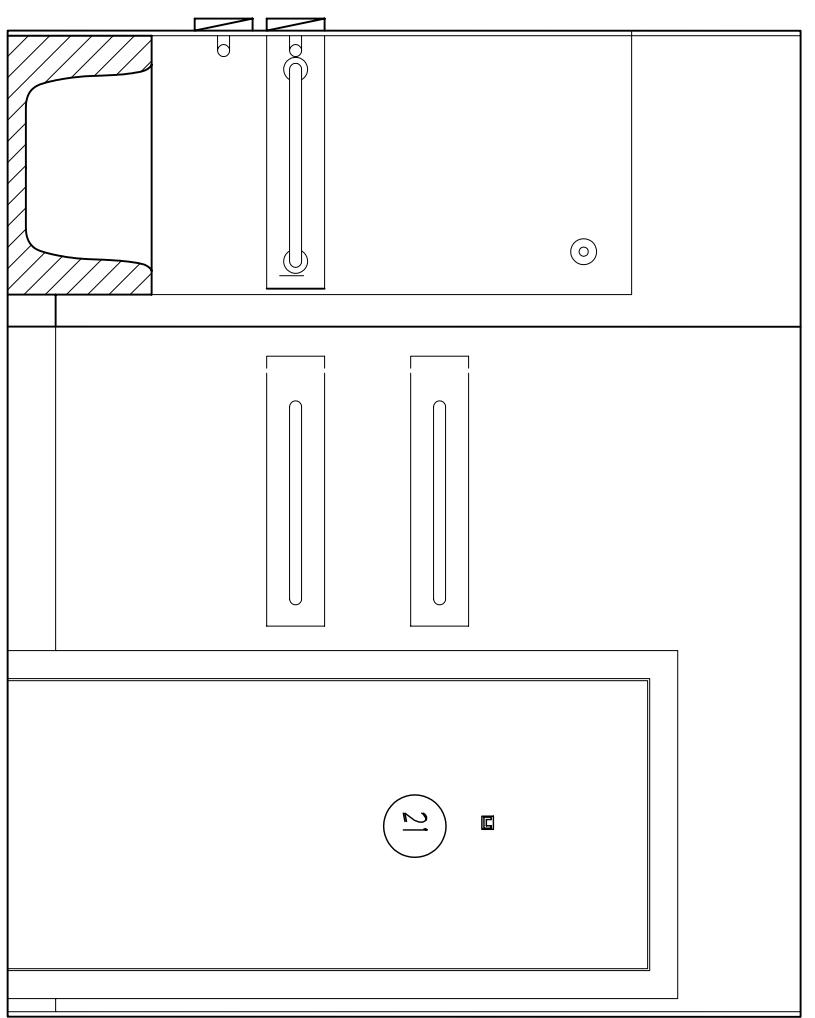
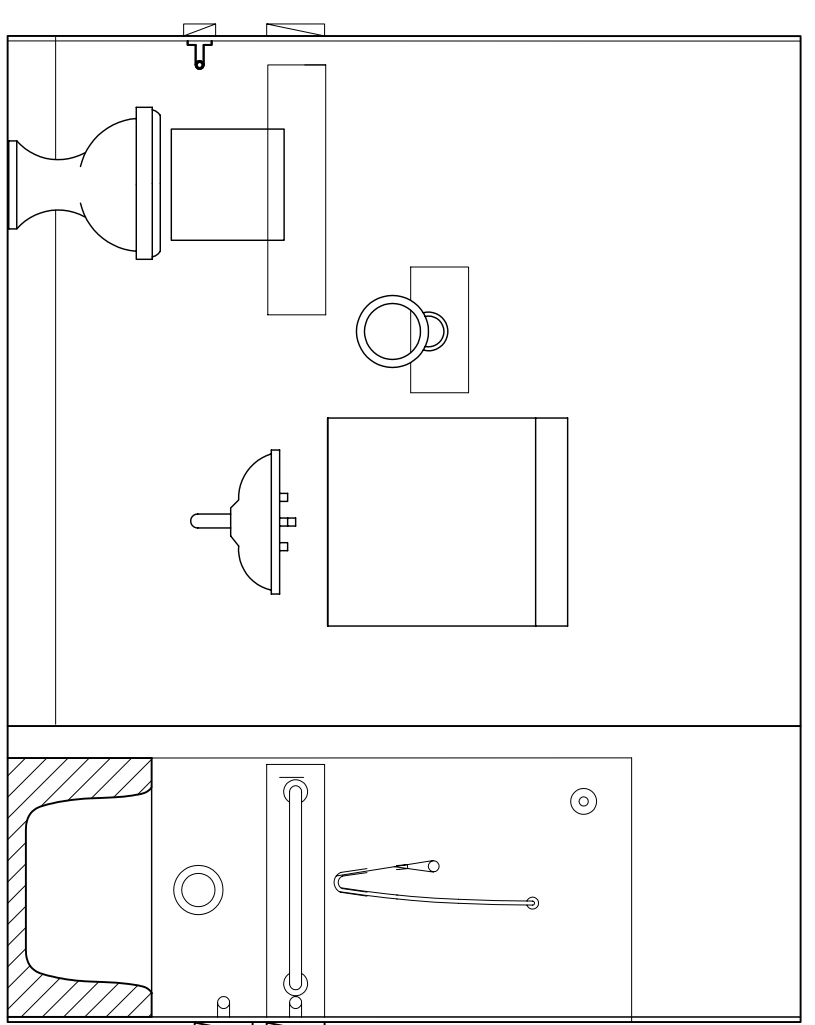
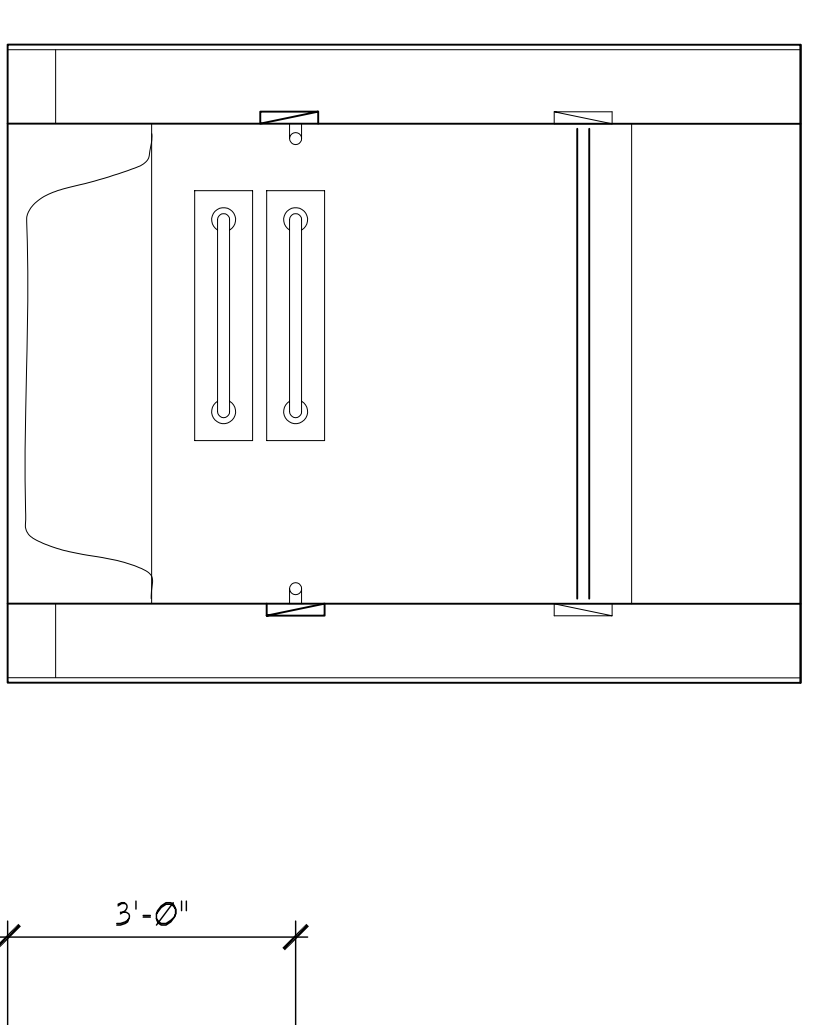


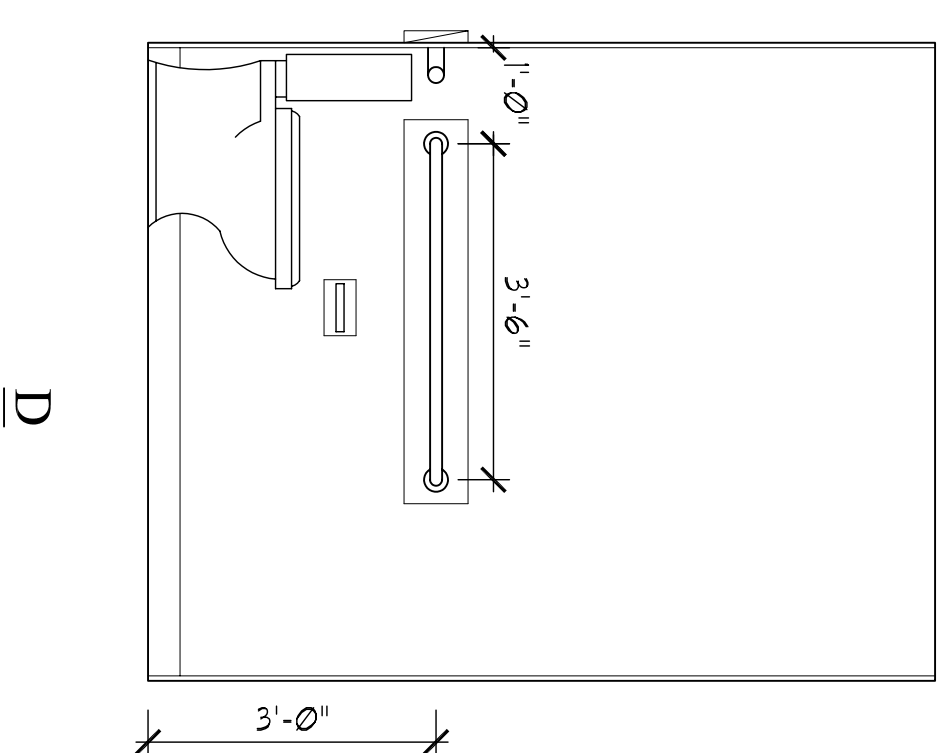
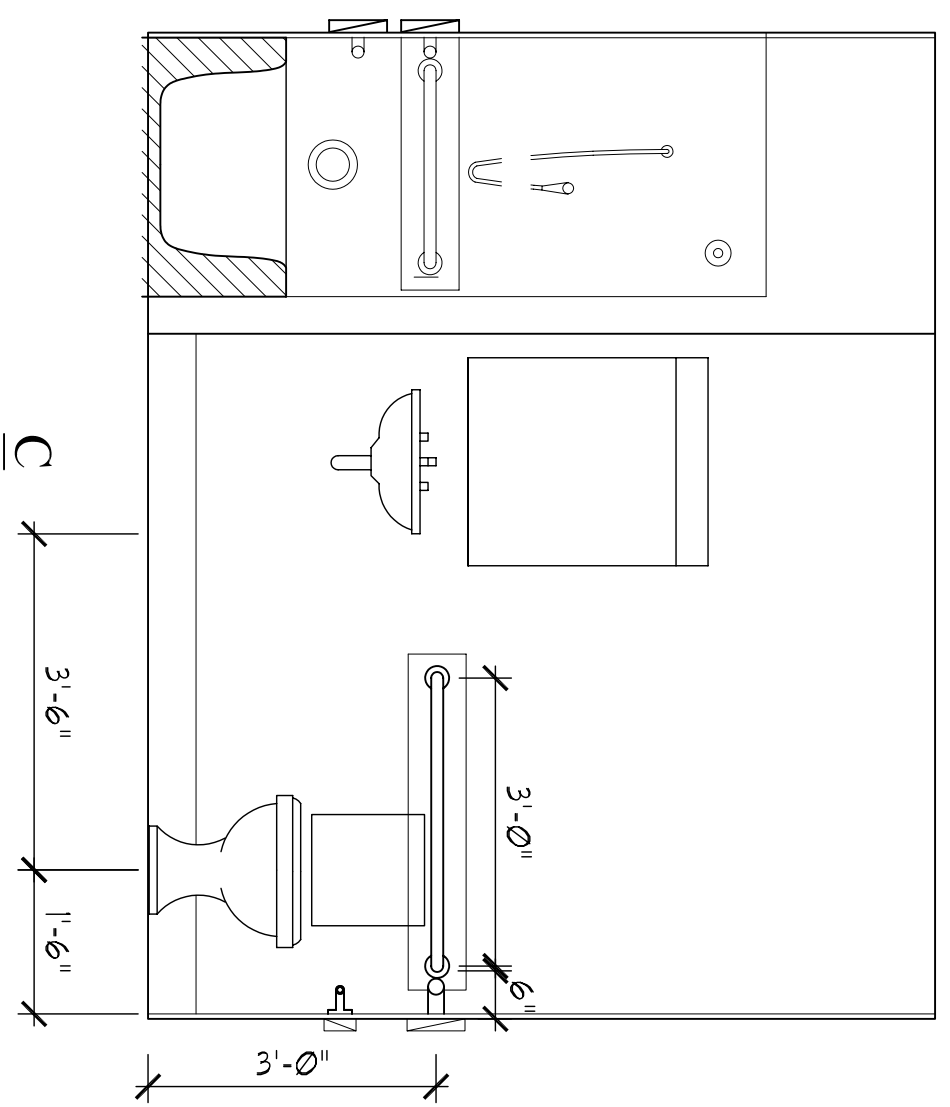
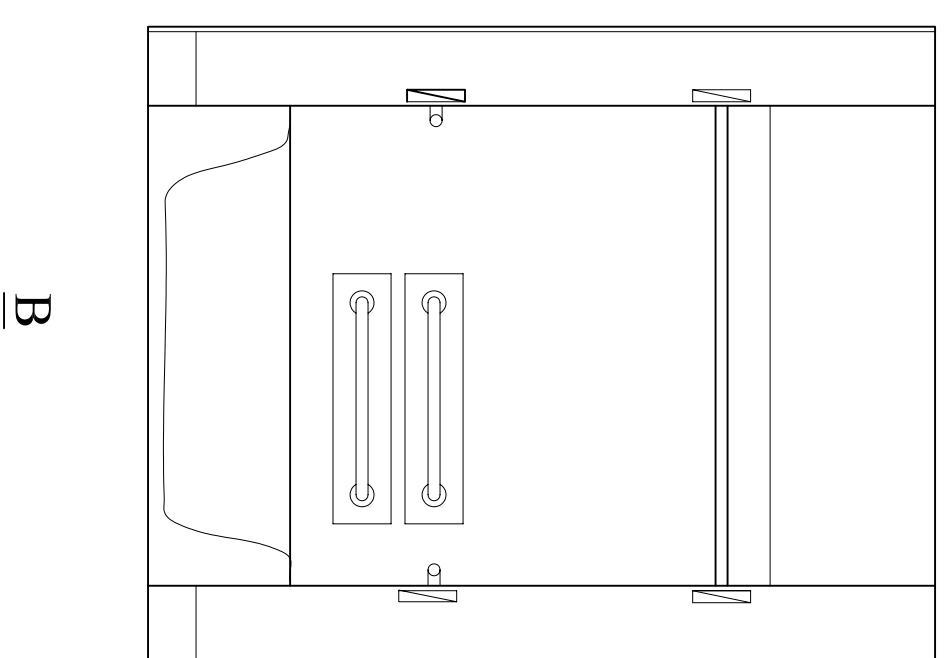
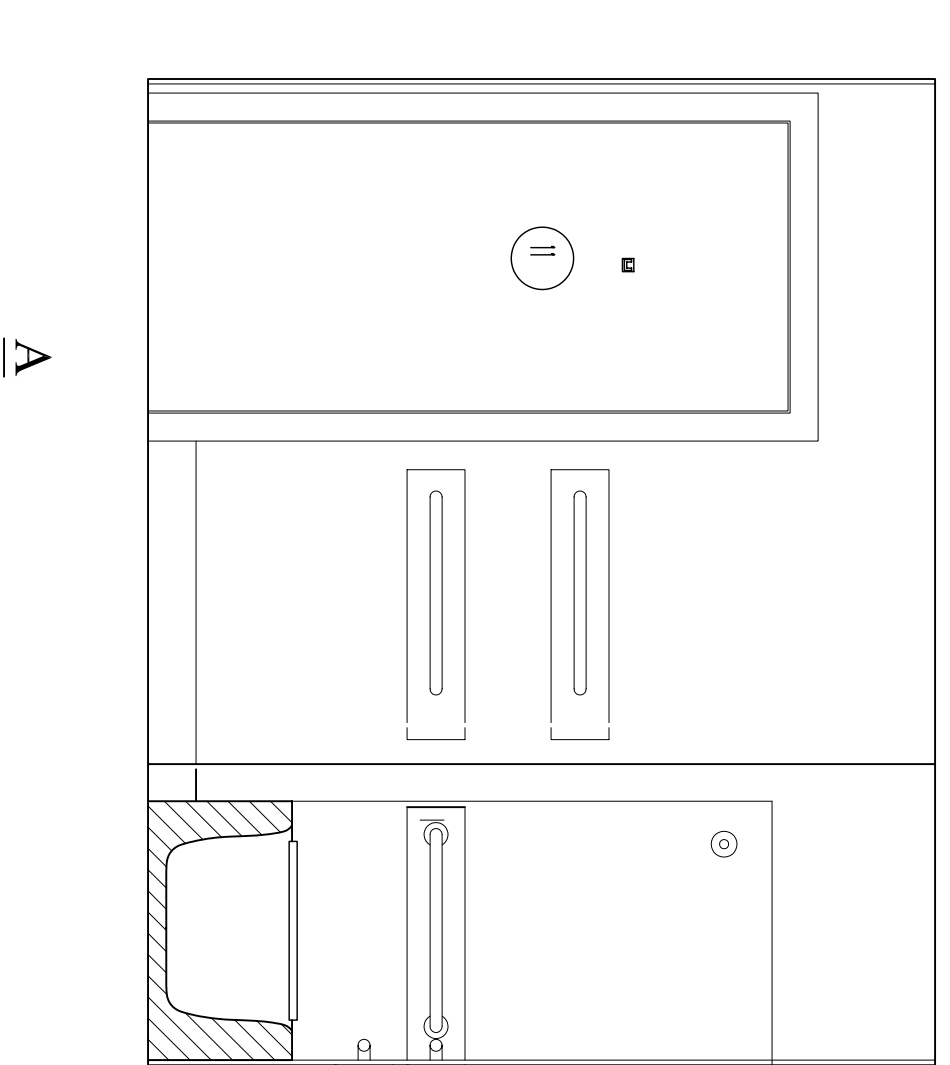
1 BATHROOM 209 - PLAN & ELEVATIONS
SCALE: 1/2" = 1'



2 BATHROOM 210 - PLAN & ELEVATIONS
SCALE: 1/2" = 1'



3 HC BATHROOM 110 - PLAN & ELEVATIONS
SCALE: 1/2" = 1'



NOTES:

1. PROVIDE ADA APPROVED TUB/SHOWER ENCLOSURES AT ALL THREE BATHROOMS - BLOCK PER MANUFACTURERS WRITTEN INSTRUCTIONS.
2. AT BATHROOMS 209 AND 210 INSTALL BLOCKING FOR FUTURE GRABBARS AT TOILETS.
3. DIMENSIONS & FIXTURES ARE TYPICAL.

BATH FIXTURES:

1. LAVATORY, BARRIER FREE - AMERICAN STANDARD CADET #2168100, 16GPF, PRESSURE ASSISTED, ELONGATED. BOWL, SIPHON JET, VITREOUS CHINA, FLUSHOMETER TANK FLOOR MOUNTED, 11" HIGH RIM, ADA COMPLIANT. MCGUIRE #166 ANGLE SUPPLY WHEEL HANDLE STOP, WALL FLANGE ALL CHROME PLATED. CHURCH #481L WHITE, ELONGATED, CLOSED FRONT SEAT W/COVER. PROVIDE #292100 WITH 1 1/8" RIM HEIGHT AT BATH 209.
2. BATHROOM FAUCET - SYMONS SYMMETRIX NO. 5-2408-2, CENTERSET, METAL LEVER HANDLES, METAL POP-UP DRAIN, WASHERS, VALVE CARTRIDGES, ALL CHROME PLATED. MCGUIRE #161 ANGLE SUPPLY W/ALL FLANGE WHEEL HANDLE STOP AND 1/2" FLEXIBLE COPPER RIGERS, ALL CHROME PLATED. MCGUIRE #8090 ADJUSTABLE P-TKAP, 1 1/4" X 1 1/2", CLEANOUT PLUG, #121 BRASS NIPPLE TO WALL W/CAST ESCUTCHEON.

1. LAVATORY, BARRIER FREE - AMERICAN STANDARD CADET #2168100, 16GPF, PRESSURE ASSISTED, ELONGATED. BOWL, SIPHON JET, VITREOUS CHINA, FLUSHOMETER TANK FLOOR MOUNTED, 11" HIGH RIM, ADA COMPLIANT. MCGUIRE #166 ANGLE SUPPLY WHEEL HANDLE STOP, WALL FLANGE ALL CHROME PLATED. CHURCH #481L WHITE, ELONGATED, CLOSED FRONT SEAT W/COVER. PROVIDE #292100 WITH 1 1/8" RIM HEIGHT AT BATH 209.
2. BATHROOM FAUCET - SYMONS SYMMETRIX NO. 5-2408-2, CENTERSET, METAL LEVER HANDLES, METAL POP-UP DRAIN, WASHERS, VALVE CARTRIDGES, ALL CHROME PLATED. MCGUIRE #161 ANGLE SUPPLY W/ALL FLANGE WHEEL HANDLE STOP AND 1/2" FLEXIBLE COPPER RIGERS, ALL CHROME PLATED. MCGUIRE #8090 ADJUSTABLE P-TKAP, 1 1/4" X 1 1/2", CLEANOUT PLUG, #121 BRASS NIPPLE TO WALL W/CAST ESCUTCHEON.

3. TOILET PAPER HOLDER - SHALL BE NUTONE HALLMACK "CORONADO" SERIES.
4. GRAB BARS - STAINLESS STEEL, 1/2" DIAMETER CONCEALED MOUNTING WITH SNAP FLANGE, SATIN FINISH; BOBRICK B-5806 SERIES, LENGTHS AS SHOWN ON DRAWINGS.
5. BATHROOM MIRROR - BOBRICK B-2980 2430 STAINLESS STEEL ANGLE FRAME MIRROR, 24" WIDE X 30" HIGH, MOUNT BOTTOM OF REFLECTIVE SURFACE AT 40" MAX.
6. WATERCLOSET, BARRIER FREE - AMERICAN STANDARD CADET #2168100, 16GPF, PRESSURE ASSISTED, ELONGATED. BOWL, SIPHON JET, VITREOUS CHINA, FLUSHOMETER TANK FLOOR MOUNTED, 11" HIGH RIM, ADA COMPLIANT. MCGUIRE #166 ANGLE SUPPLY WHEEL HANDLE STOP, WALL FLANGE ALL CHROME PLATED. CHURCH #481L WHITE, ELONGATED, CLOSED FRONT SEAT W/COVER. PROVIDE #292100 WITH 1 1/8" RIM HEIGHT AT BATH 209.
1. BATHTUB / SHOWER ENCLOSURE - LAOCO #603-8" WHITE, GELCOAT FINISH, FIBERGLASS REINFORCED POLYESTER, ADA COMPLIANT AND NAHS LISTED, 1" DIA. 1/8 GAGE STAINLESS STEEL CURTAIN ROD, BATH DRAIN - MCGUIRE #121TL, TRIM - TEMPTROL #36-600-B30-L-V-B-X BARRIER FREE TUB/SHOWER UNIT, LEVER HANDLE DIVERTER - 4-458, SHOWER HEAD - CLEARLO SHOWER HEAD W/ARM & FLANGE, WALL/HAND SHOWER SPRAY W/60" FLEX METAL HOSE, 30" SLIDE BAR FOR HAND MOUNTING AND (1) WALLHOOD FOR ALTERNATE HAND MOUNTING.

BATHROOM PLANS, ELEVATIONS

Date	Scale AS NOTED
------	-------------------

Project:
THE SHALOM HOUSE at
GILLMAN STREET
PORTLAND, ME

ARCHETYPE, P.A.
ARCHITECTS

48 Union Wharf Portland, Maine 04101
(207) 772-6022 Fax (207) 772-4056

OWNER:
SHALOM HOUSE, INC.
POST OFFICE BOX 560
PORTLAND, ME 04112

A-4.0