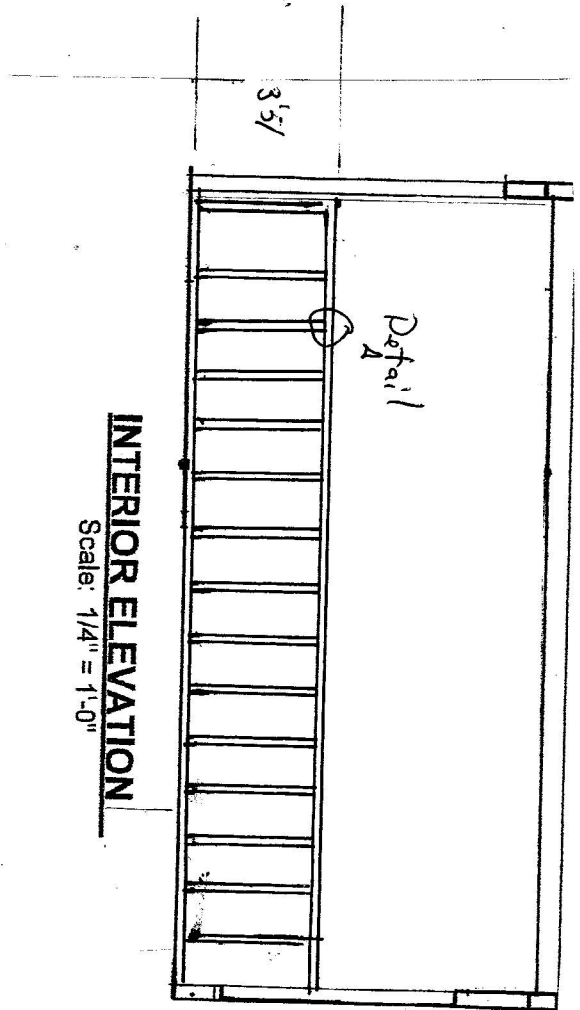
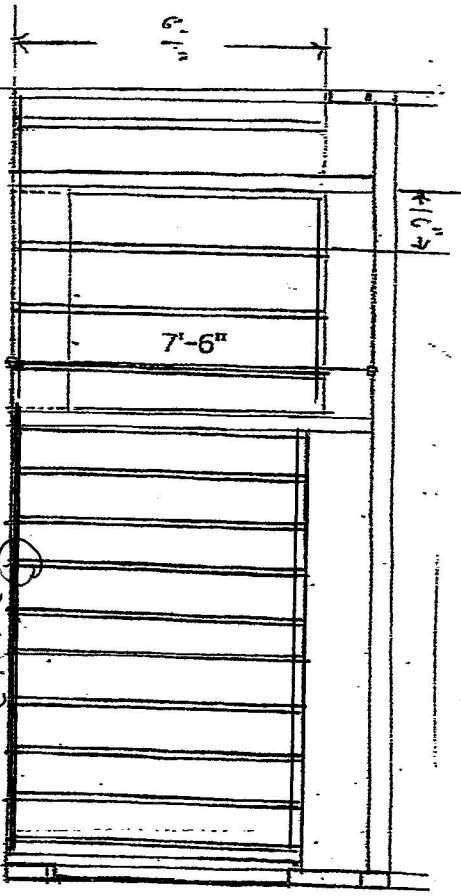


SECTION A
Scale: 1/4" = 1'-0"

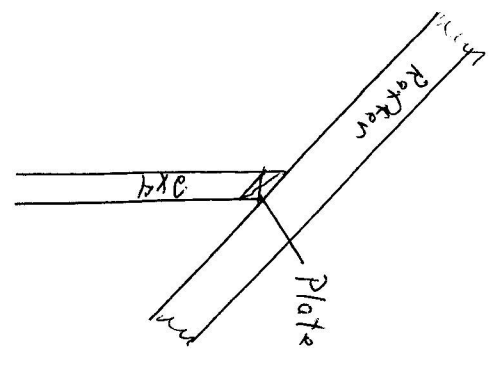


INTERIOR ELEVATION
Scale: 1/4" = 1'-0"

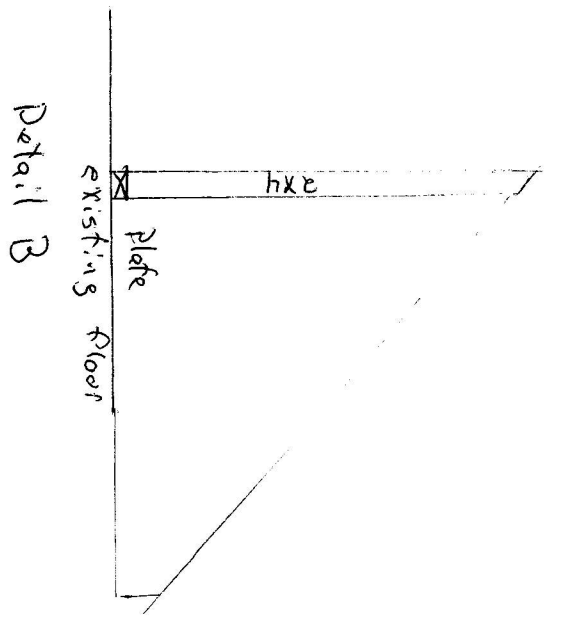


INTERIOR ELEVATION B
Scale: 1/4" = 1'-0"

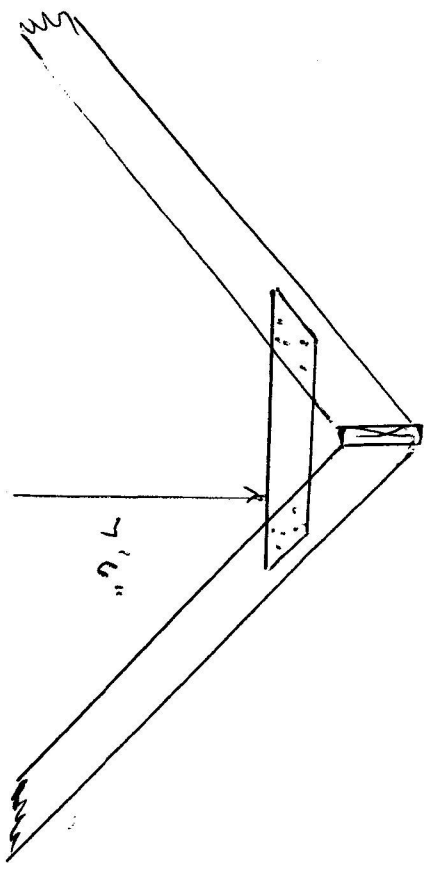
Proposed Bathroom
CHRIS DIXON
1019 Congress Street
Portland, Maine



Detail A



Detail B



collar tie
Detail e

Proposed Bathroom
Chris Dixon
Framing