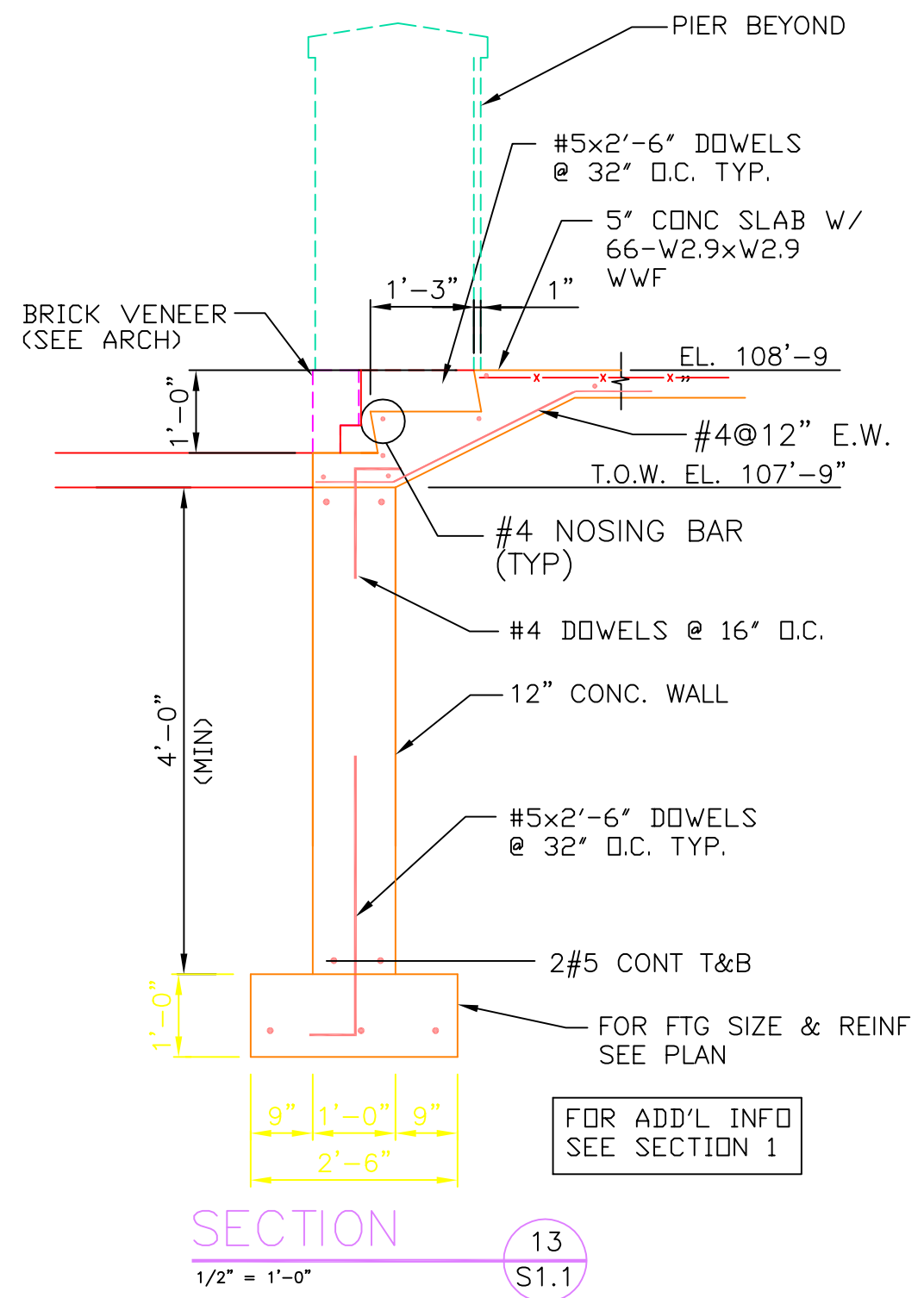
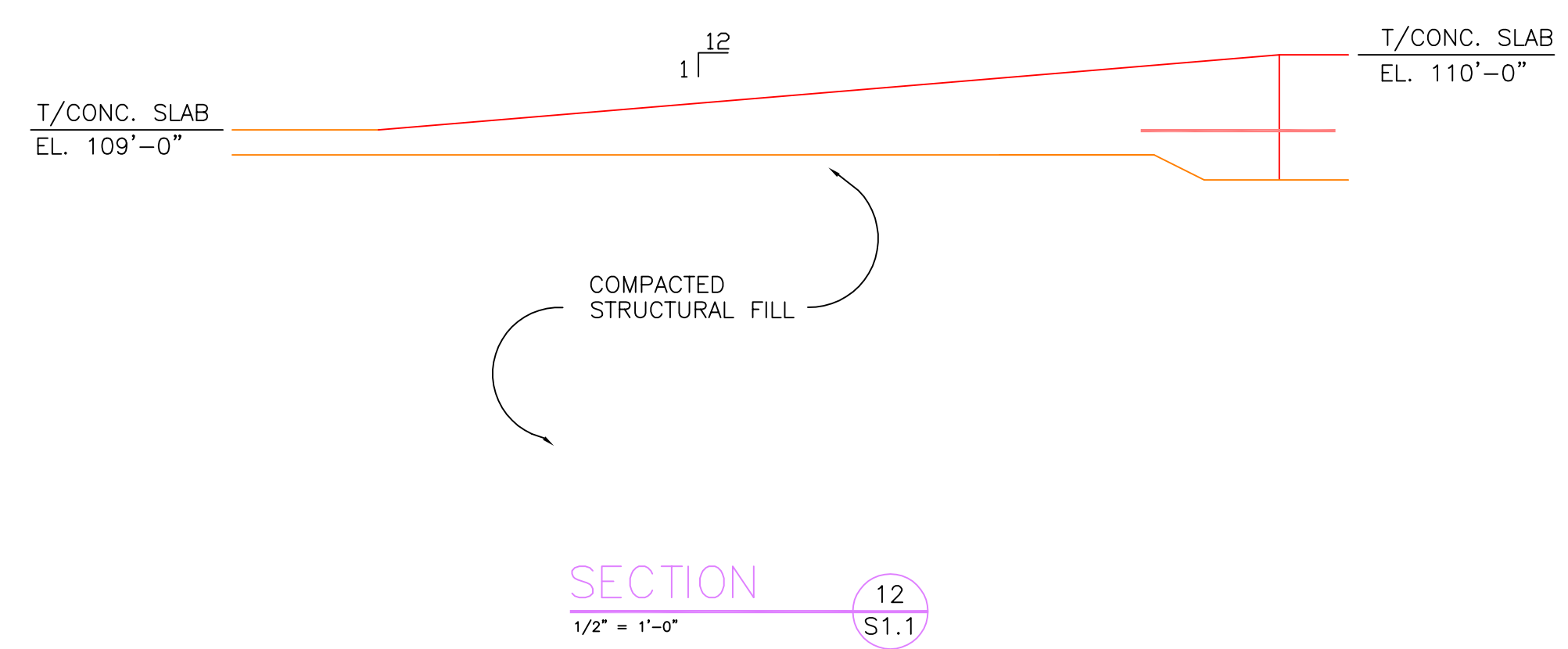


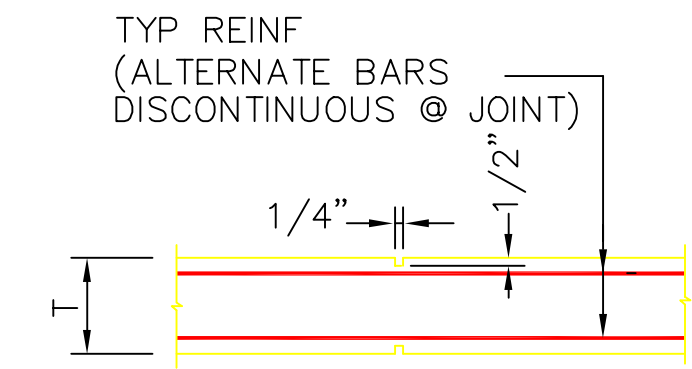
SECTION 14  
1/2" = 1'-0" S1.1



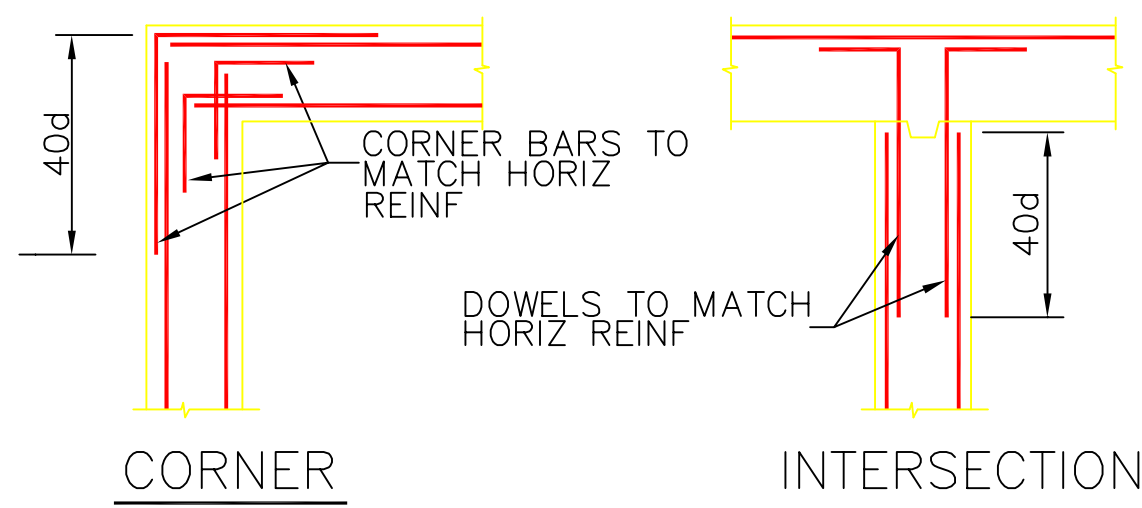
SECTION 13  
1/2" = 1'-0" S1.1



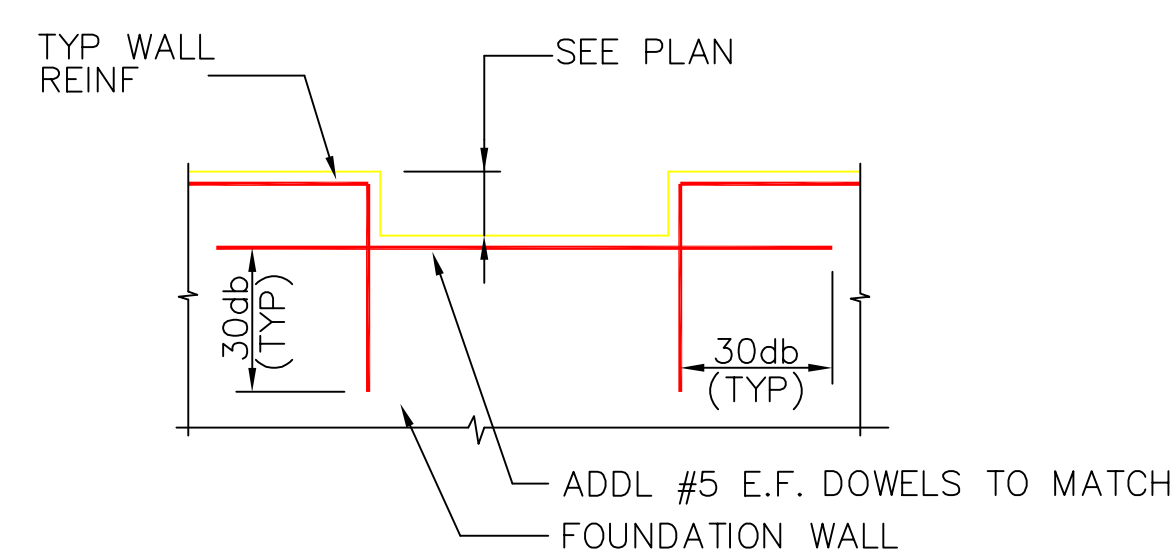
SECTION 12  
1/2" = 1'-0" S1.1



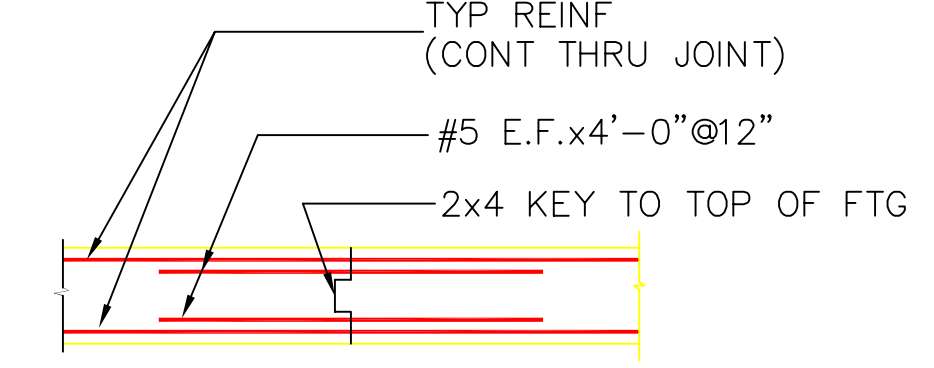
TYP CONTROL JOINT IN WALL  
N.T.S.



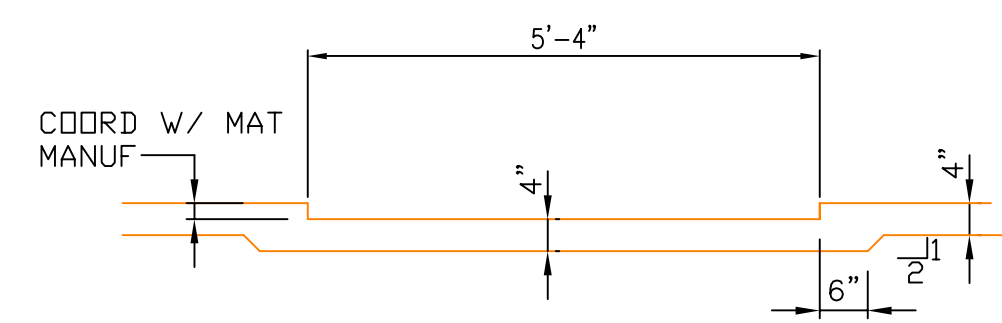
TYP WALL REINF DETAILS  
N.T.S.



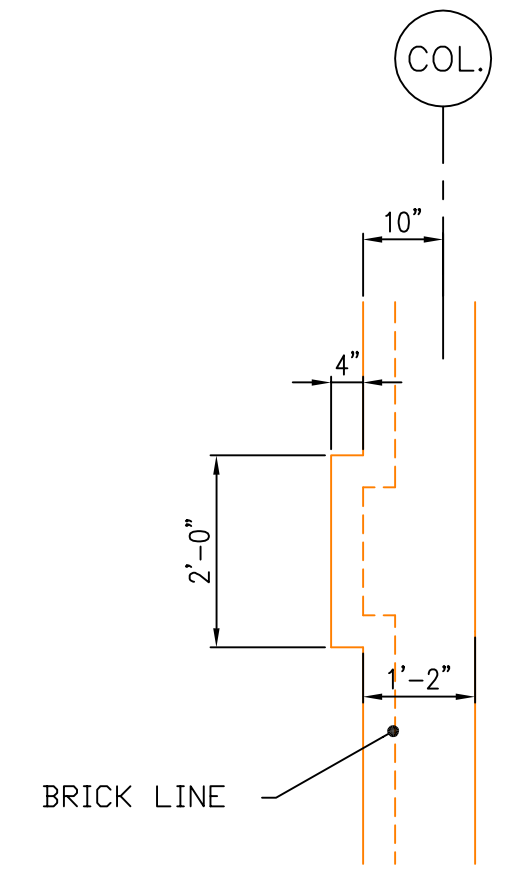
TYP. WALL DEPRESSION DETAIL  
N.T.S.



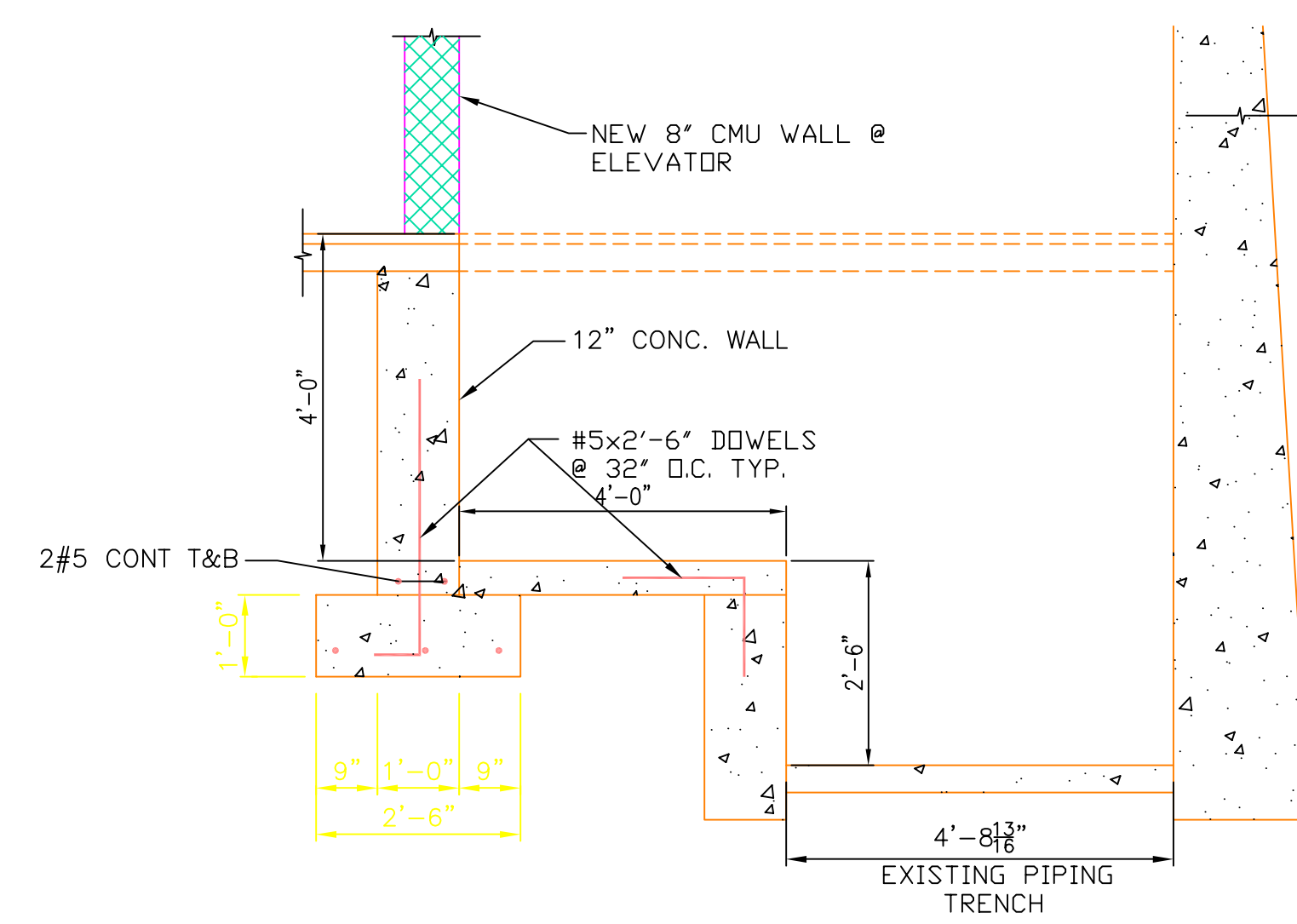
TYP. CONSTRUCTION JOINT IN WALL  
N.T.S.  
NOTES: 1. CONST JOINT DOES NOT EXTEND THRU FTG  
2. DISTANCE BETWEEN CONST JOINTS IN STRAIGHT LENGTHS OF WALL NOT TO EXCEED 60'-0"



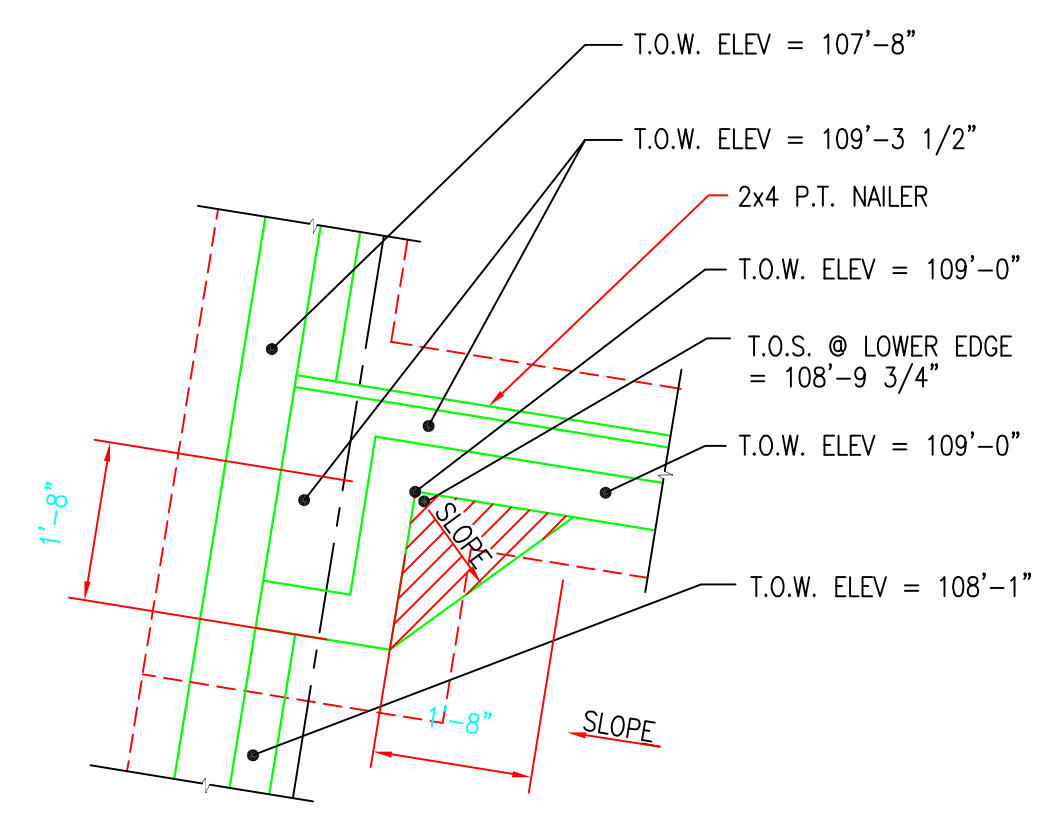
RECESSED ENTRY SLAB DETAIL 12  
N.T.S. S1.1



TYPE F2



SECTION THRU ELEVATOR PIT 15  
1/2" = 1'-0" S1.1



DETAIL A  
1/2" = 1'-0" S1.1

**NOT FOR CONSTRUCTION**



CWS Architects

Architecture  
Space Planning  
Value Design

434 Cumberland Avenue  
Portland, ME 04101  
Phone: (207)774-4441  
Fax: (207)774-4015  
www.CWSArch.com

Owner:

**GREATER PORTLAND YMCA**  
c/o Cumberland County YMCA  
70 Forest Ave Portland, ME 04101  
(207) 874-1111

Client:

**YMCA HIGH STREET ENTRY**

High Street - Portland, Maine

Project No: 25050

Drawing Title:

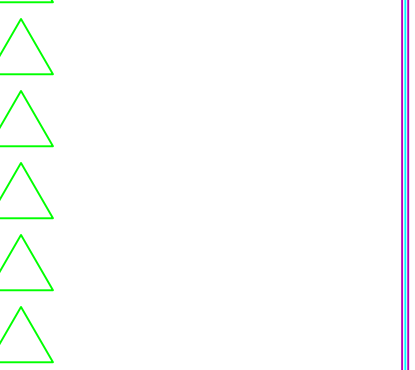
**CONCRETE DETAILS**

Scale: 1/2" = 1'-0"

Date: 04-27-05

Revisions:

A ISSUE FOR PERMITTING ONLY



Drawing Number:

**S2.2**