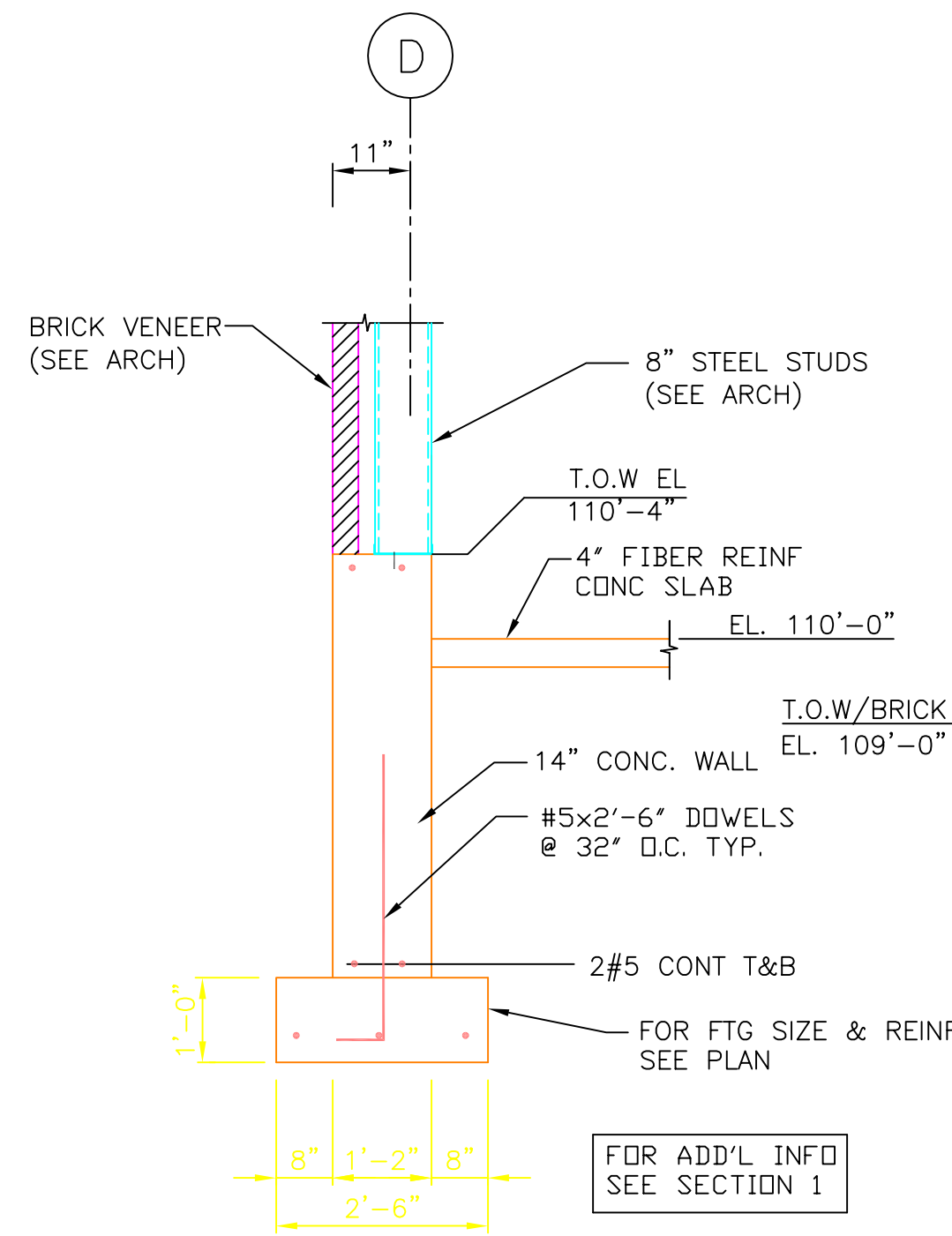
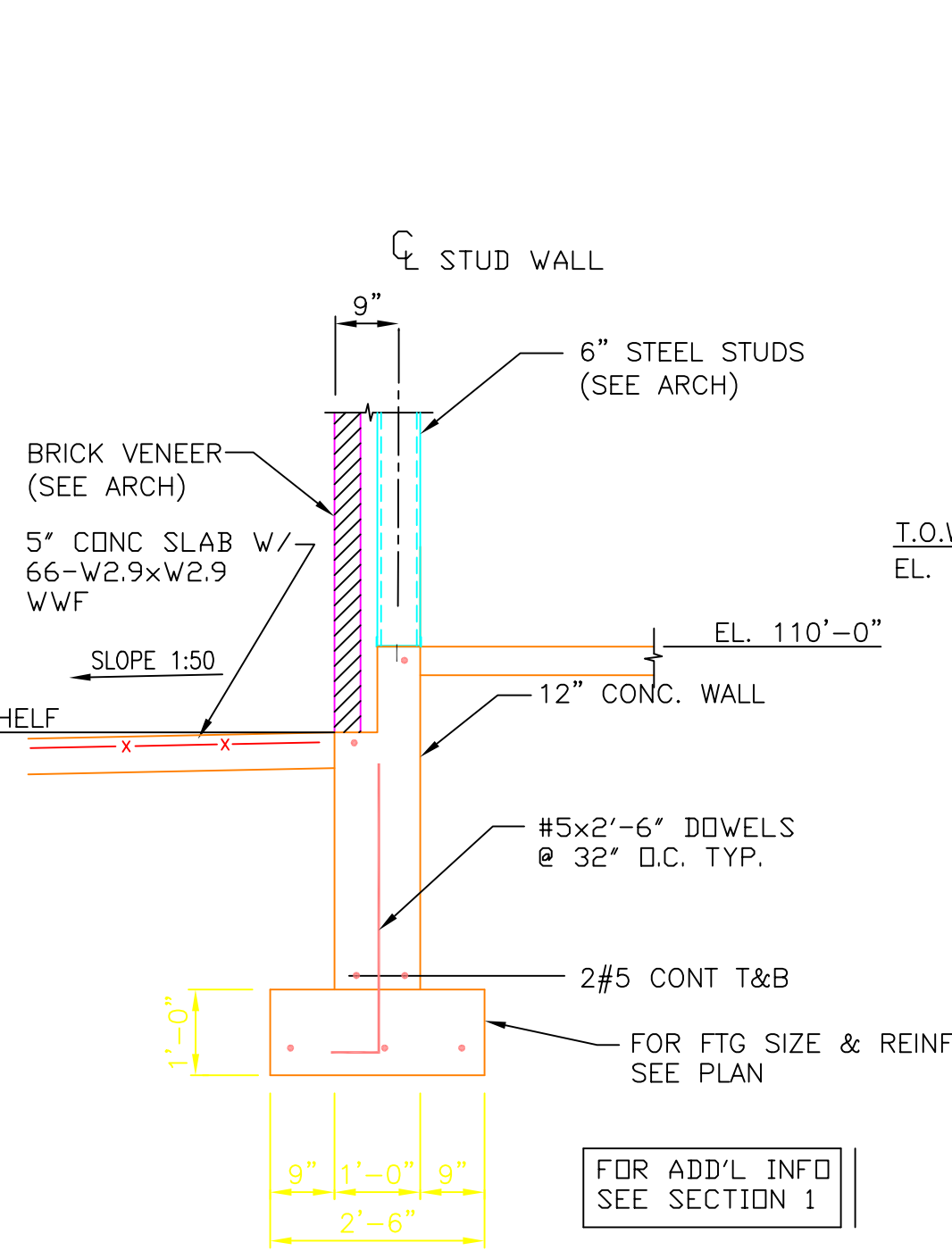


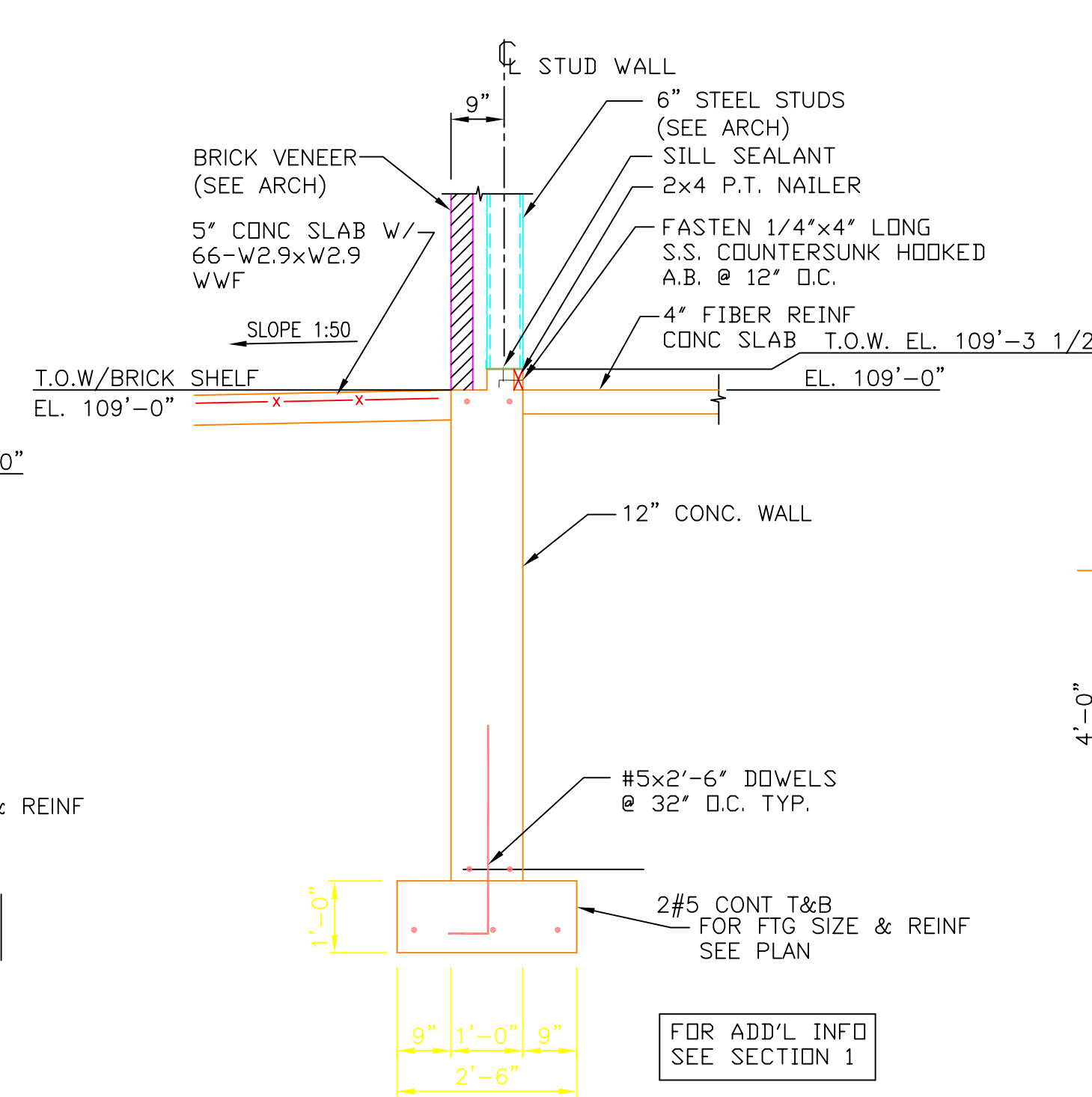
SECTION 1
1/2" = 1'-0"



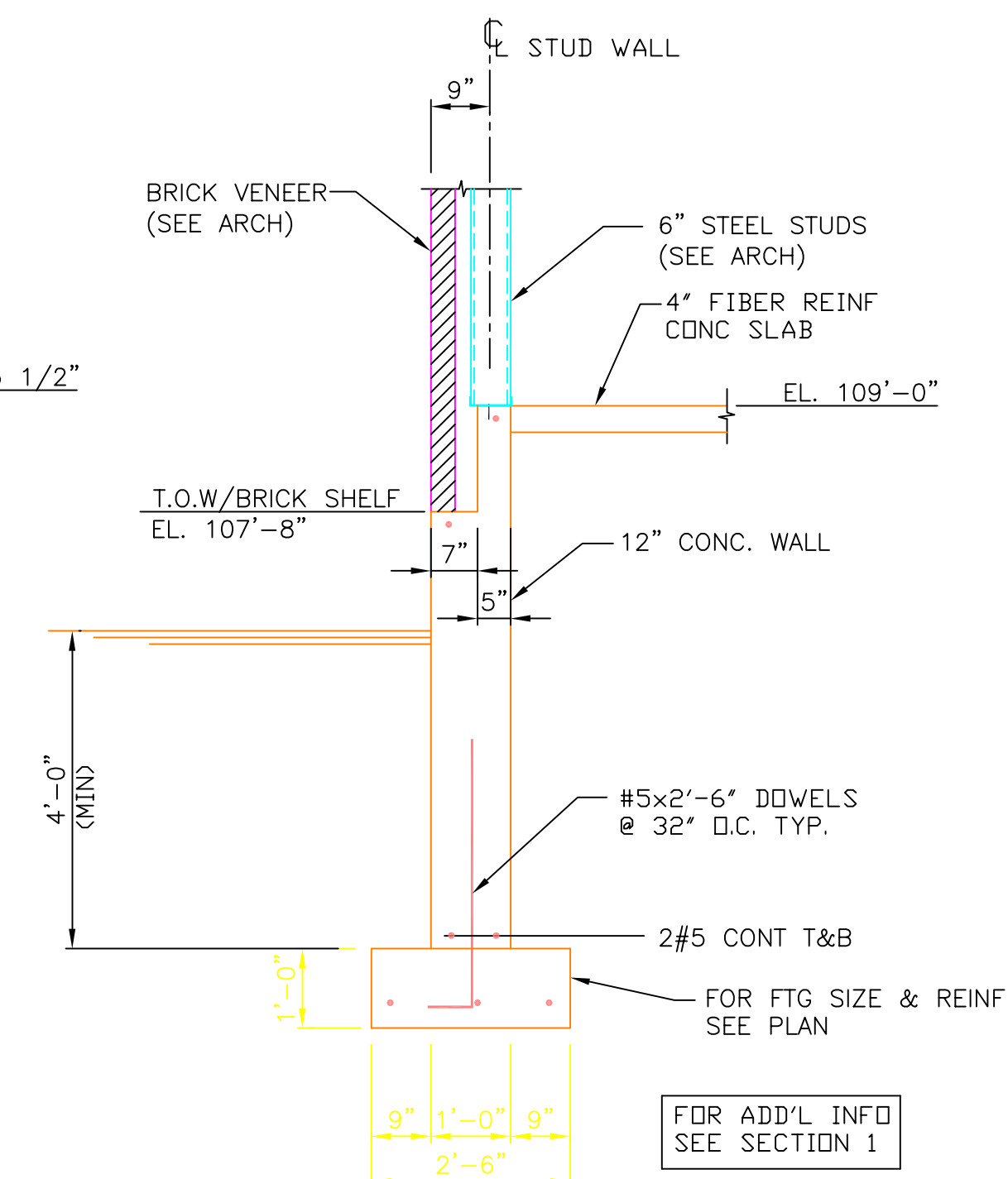
SECTION 2
1/2" = 1'-0"



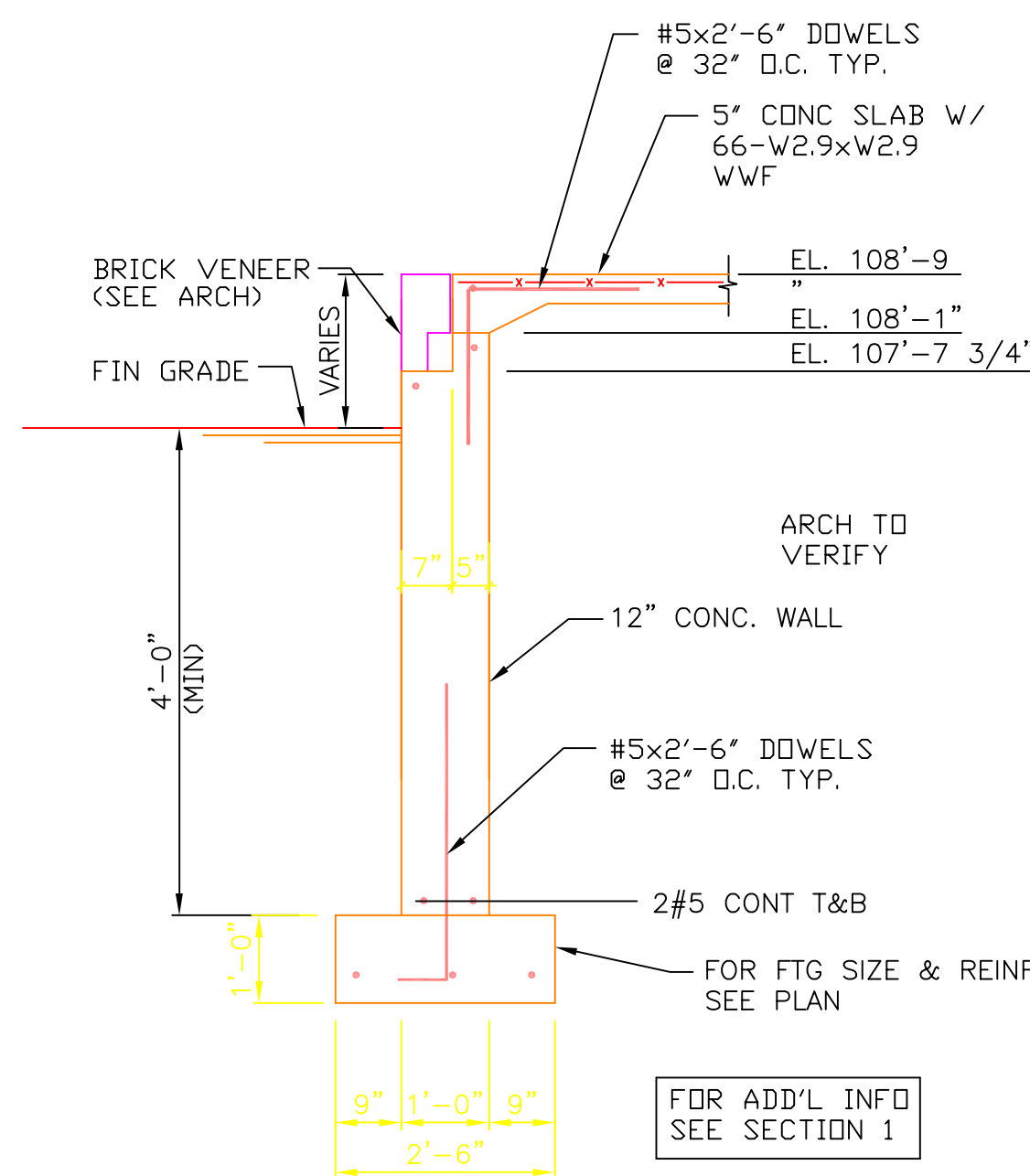
SECTION 3
1/2" = 1'-0"



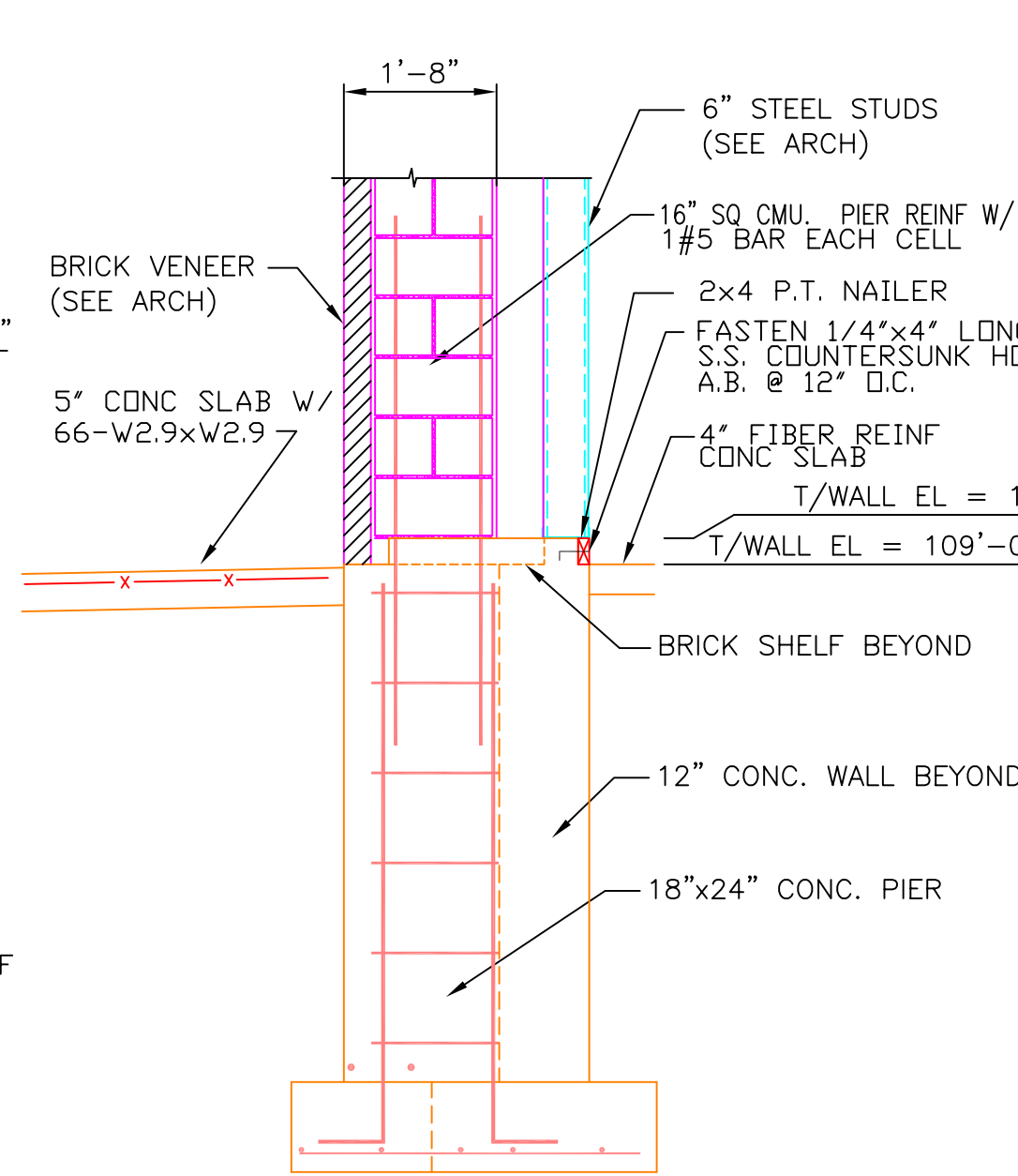
SECTION 4
1/2" = 1'-0"



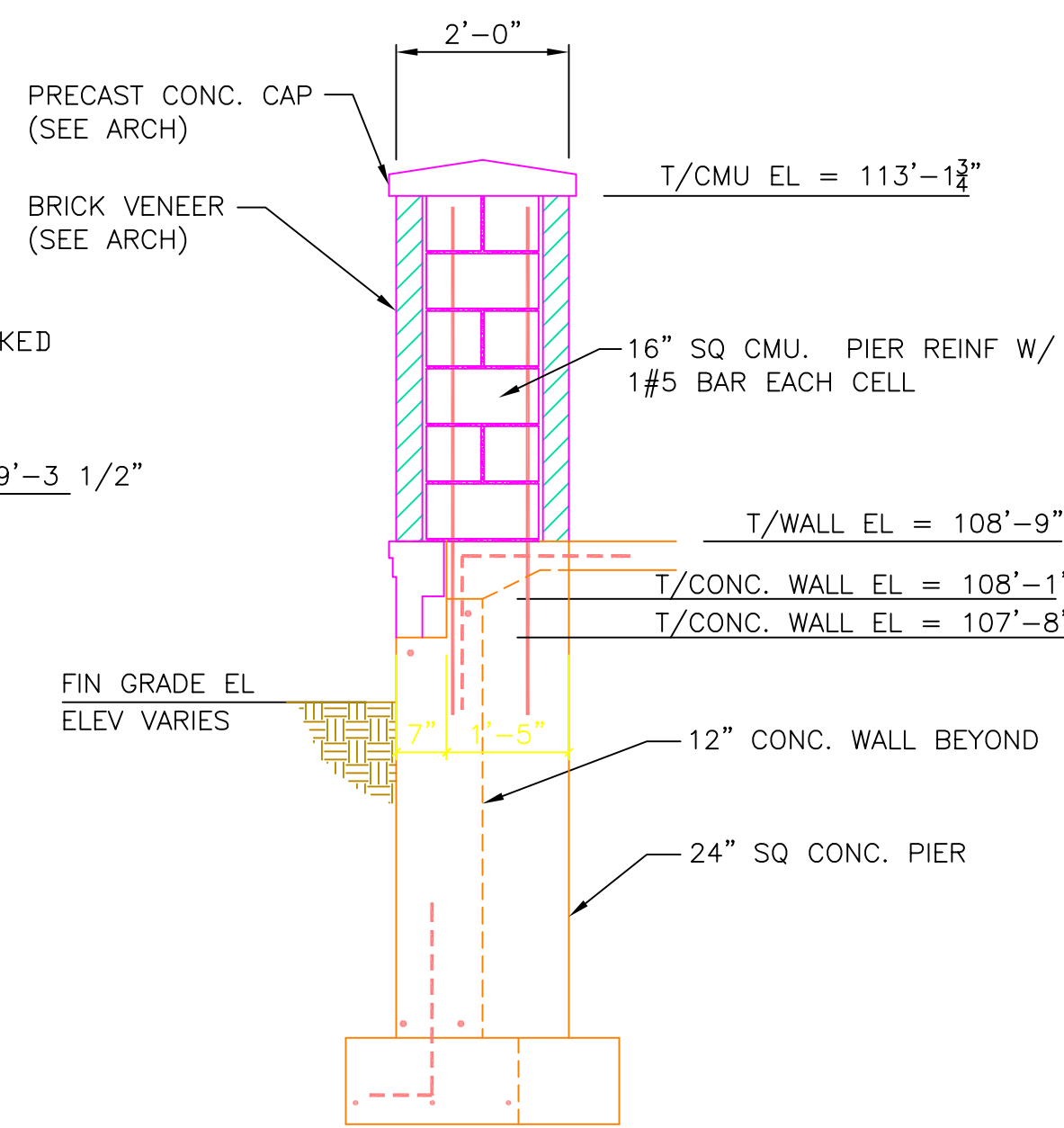
SECTION 5
1/2" = 1'-0"



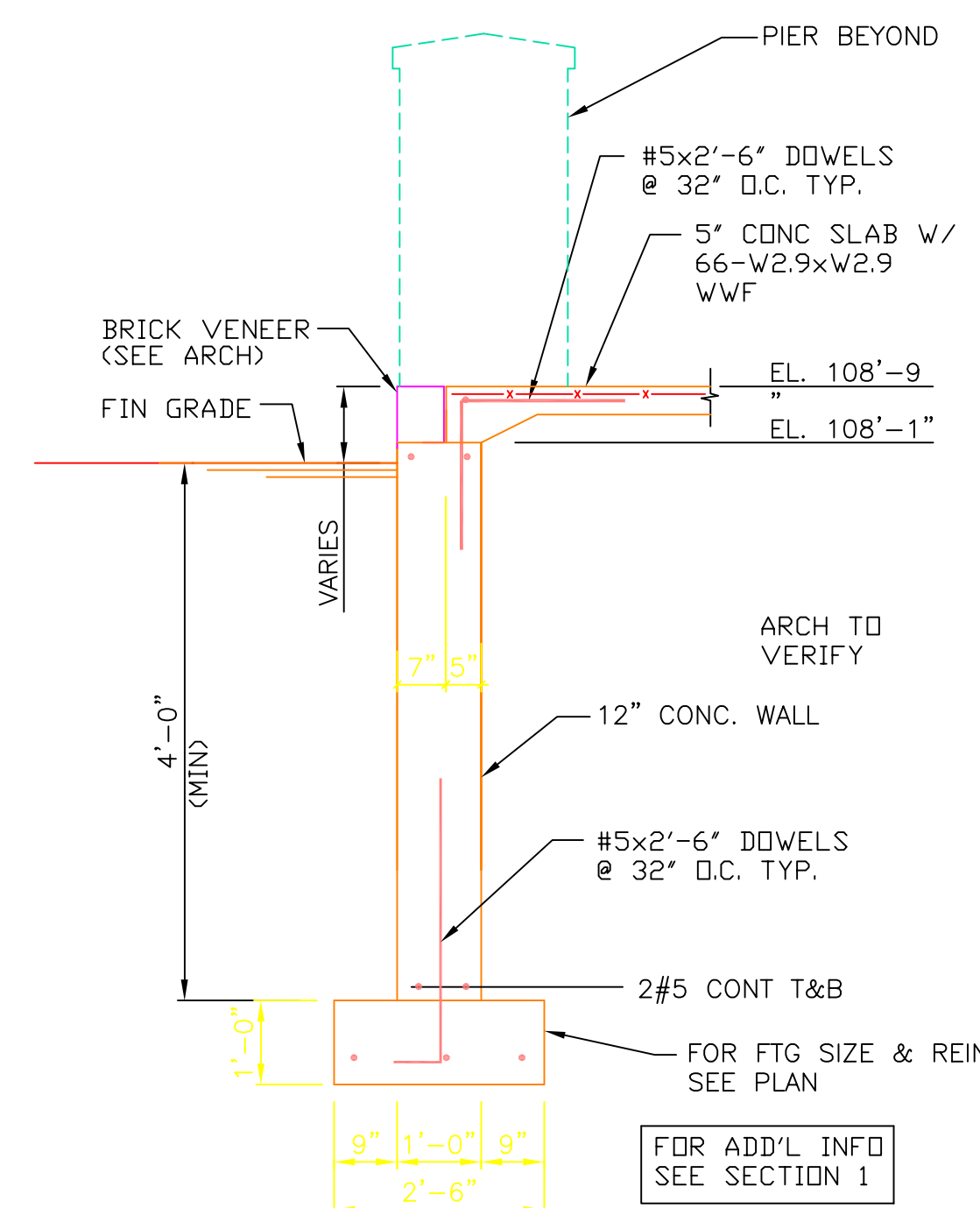
SECTION 6
1/2" = 1'-0"



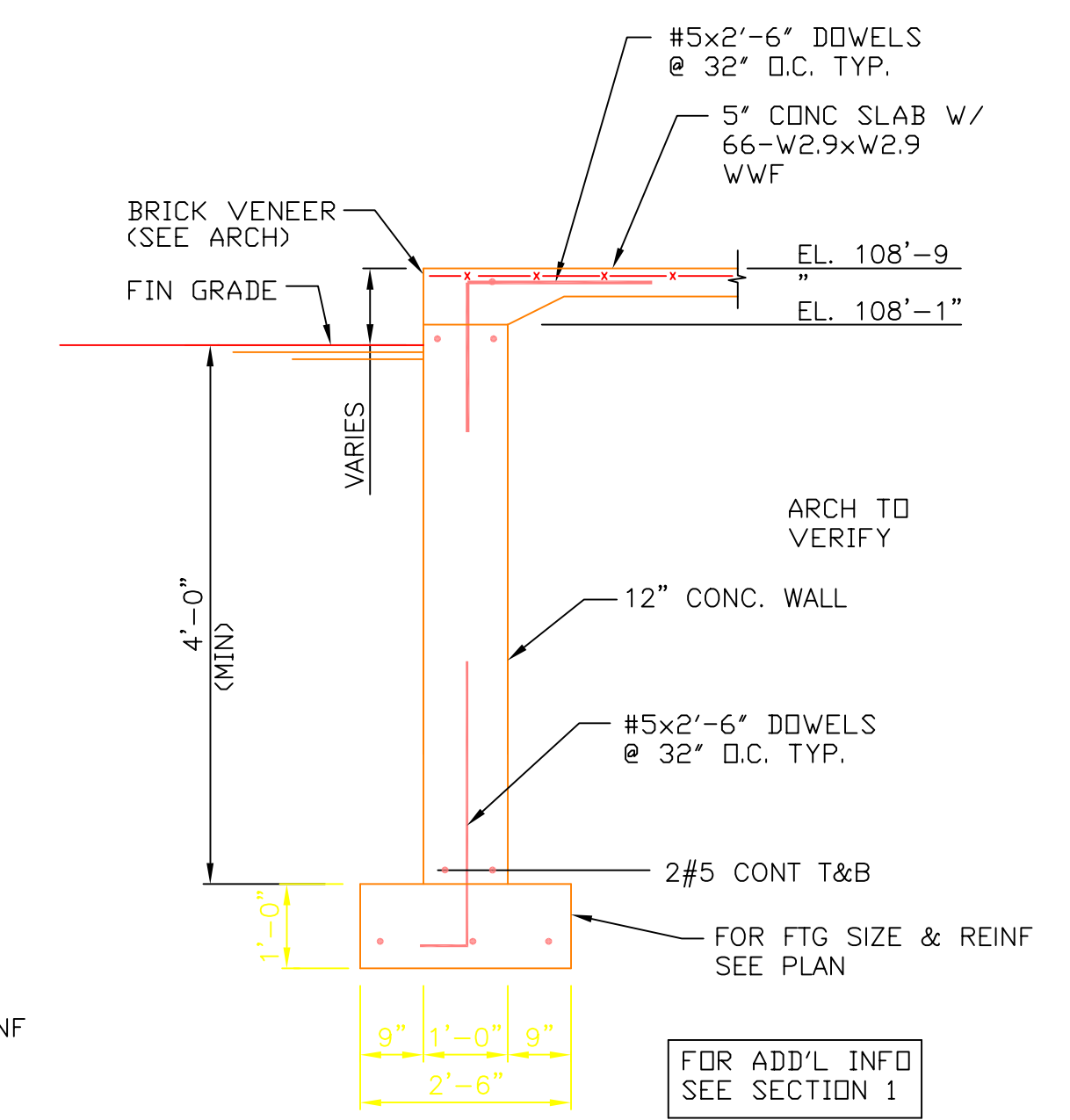
SECTION 7
1/2" = 1'-0"



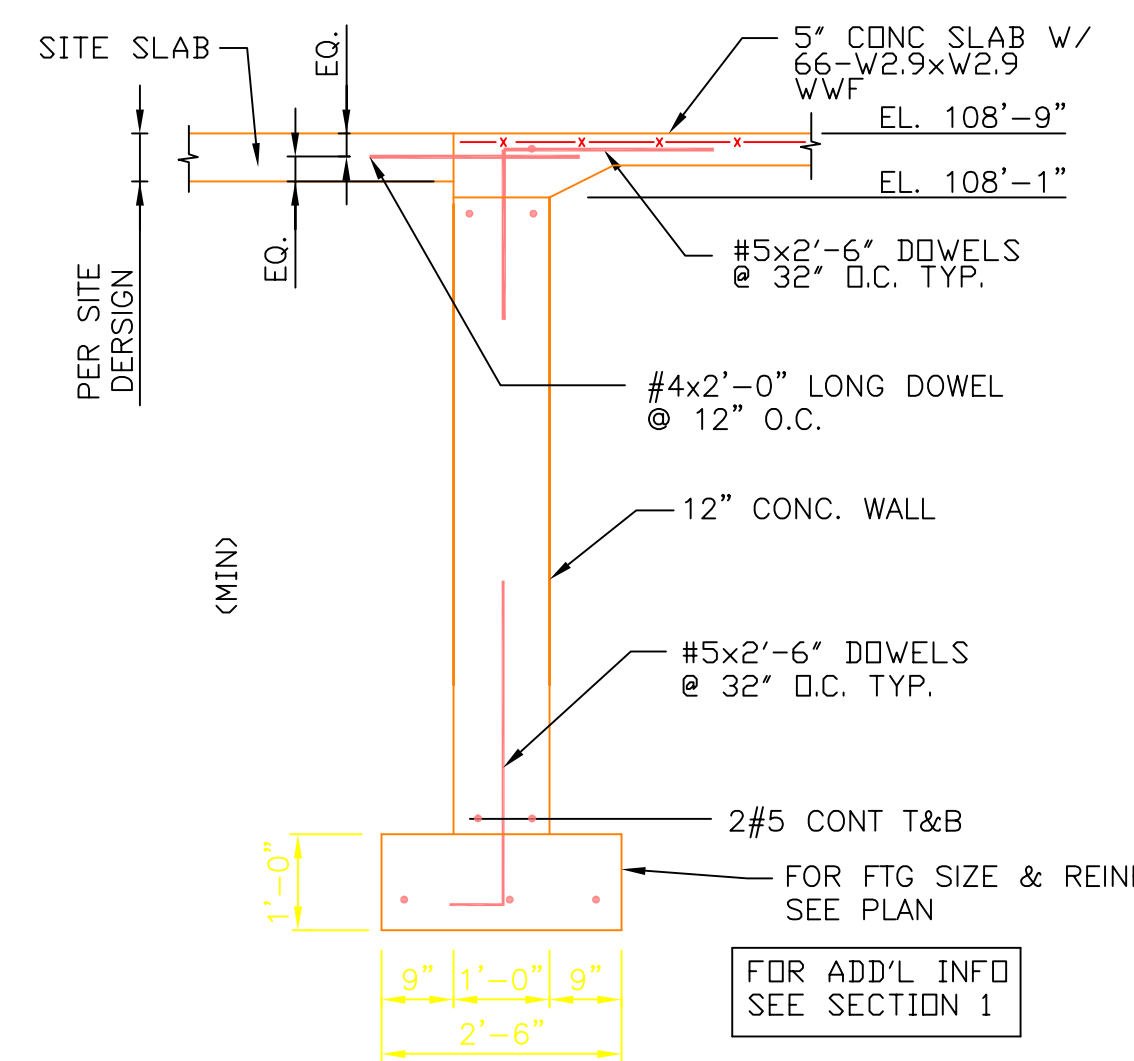
SECTION 8
1/2" = 1'-0"



SECTION 9
1/2" = 1'-0"



SECTION 10
1/2" = 1'-0"



SECTION 11
1/2" = 1'-0"

NOT FOR CONSTRUCTION

CWS

CWS Architects

Architecture
Space Planning
Value Design

434 Cumberland Avenue
Portland, ME 04101
Phone: (207) 774-4441
Fax: (207) 774-4016

www.CWSarch.com

Diners

**GREATER
PORTLAND YMCA**

c/o Cumberland County YMCA
70 Forest Ave Portland, ME 04101
(207) 874-1111

Client

**YMCA
HIGH STREET
ENTRY**

High Street - Portland, Maine

Project No: 25050

Drawing Title:

**CONCRETE
DETAILS**

Scale: 1/2" = 1'-0"

Date: 04-27-05

Revisions:

A ISSUE FOR PERMITTING ONLY

▲

▲

▲

▲

▲

▲

Drawing Number:

S2.1