

<b>SIGN A</b>	PPG
Type:	Single-Face Wall Sign
Illumination:	Internally Illuminated w/ LED's
Square Footage:	32.11
To Grade:	Top of sign to grade = 14'-10 1/2" Bottom of sign to grade = 12'-0 1/2"



<b>Color Specifications:</b>	
Pantone 151C Orange	Pantone 2955C Blue
Pantone 1785C Red	Pantone 307C Blue
Pantone 2577C Purple	Pantone 376C Green
	Pantone 116C Yellow

<b>Electrical:</b>
White LEDs Agilight Pro160 5000K (2) 60w Transformers Total Amps: 1.70 (1) 20 amp 120V Circuit Req.

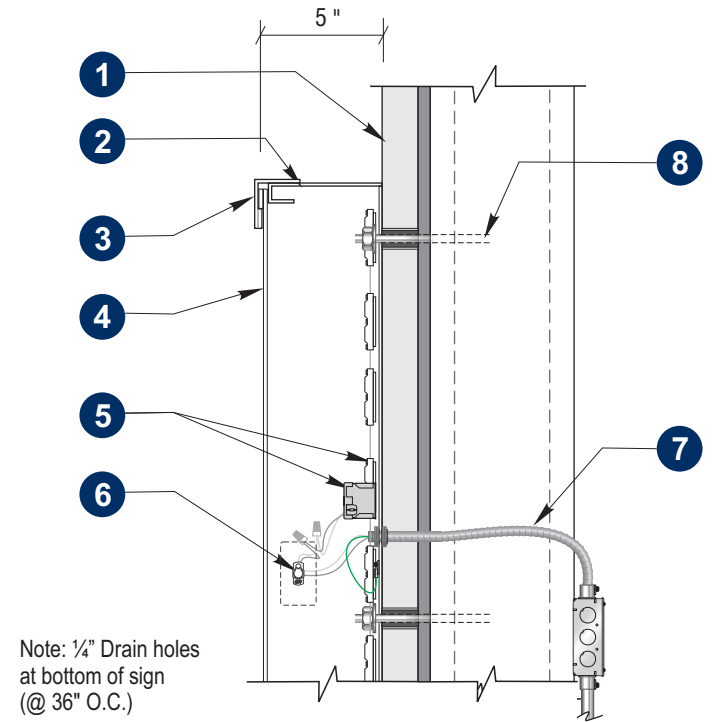
<b>General Notes:</b>
This sign is to be installed in accordance with the requirements of Article 600 of the National Electrical Code.
1) Grounded and bonded per NEC 600.7/NEC 250
2) Existing branch circuit in compliance with NEC 600.5, not to exceed 20 amps
3) Sign is to be UL listed per NEC 600.3
4) UL disconnect switch per NEC 600.6- required per sign component before leaving manufacturer*
*For multiple signs, a disconnect is permitted but not required for each section



**Sign Layout Detail**

Scale: 1/2" = 1'-0"

<b>Specifications: Wall Sign, Lexan Face</b>
1. Existing Facade: Brick
2. 0.080" Aluminum sign cabinet painted to match PMS 307C
3. 2" x 2" Aluminum angle retainers painted to match PMS 307C
4. 3/16" White Lexan face with first surface digitally printed vinyl
5. Sign cabinet contains White LEDs and transformers
6. Disconnect switch UL Outdoor rated toggle type w/ neoprene boot per NEC 600-6
7. Primary electrical feed
8. Mounting hardware; 3/8" Sleeve anchor



**Section @ S/F Wall Sign**

LED Illum

Scale: N.T.S.



Client:	PPG
Site #:	PP-8289
Address:	973 Congress Street Portland, ME 04102

REVISION INFO	09/30/2014	Original Rendering	SD
	11/18/2014	Updated for permitting	AW

This rendering is the property of Anchor Sign, Inc. It is for the exclusive use of Anchor Sign, Inc. and the party which requested the rendering. It is an unpublished original drawing not to be distributed, reproduced or exhibited without the consent of Anchor Sign, Inc. Please contact your account manager with questions regarding this statement.

1.800.213.3331