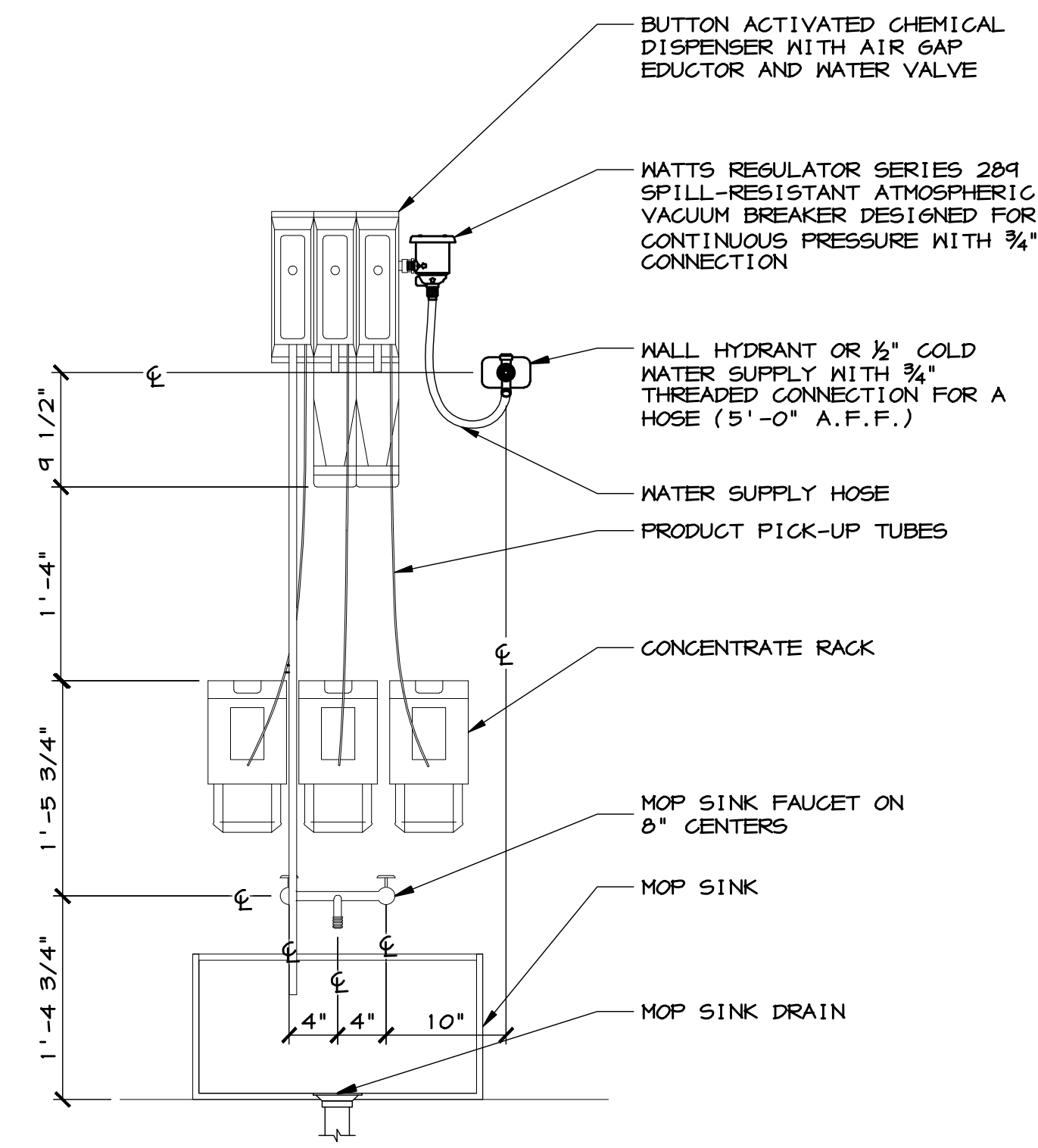
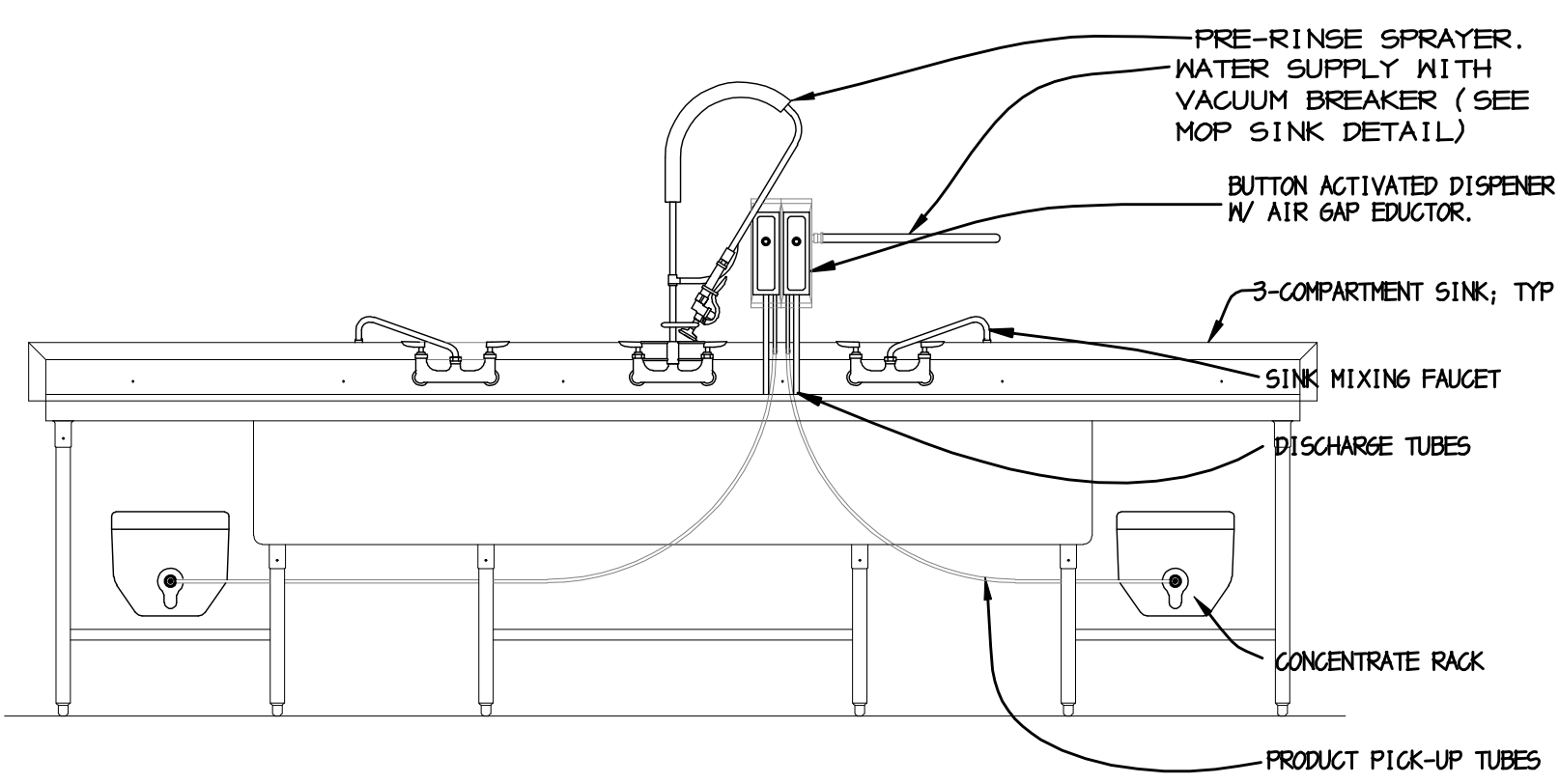


**1 WATER HEATER PIPING**  
 PS.0 SCALE: NONE



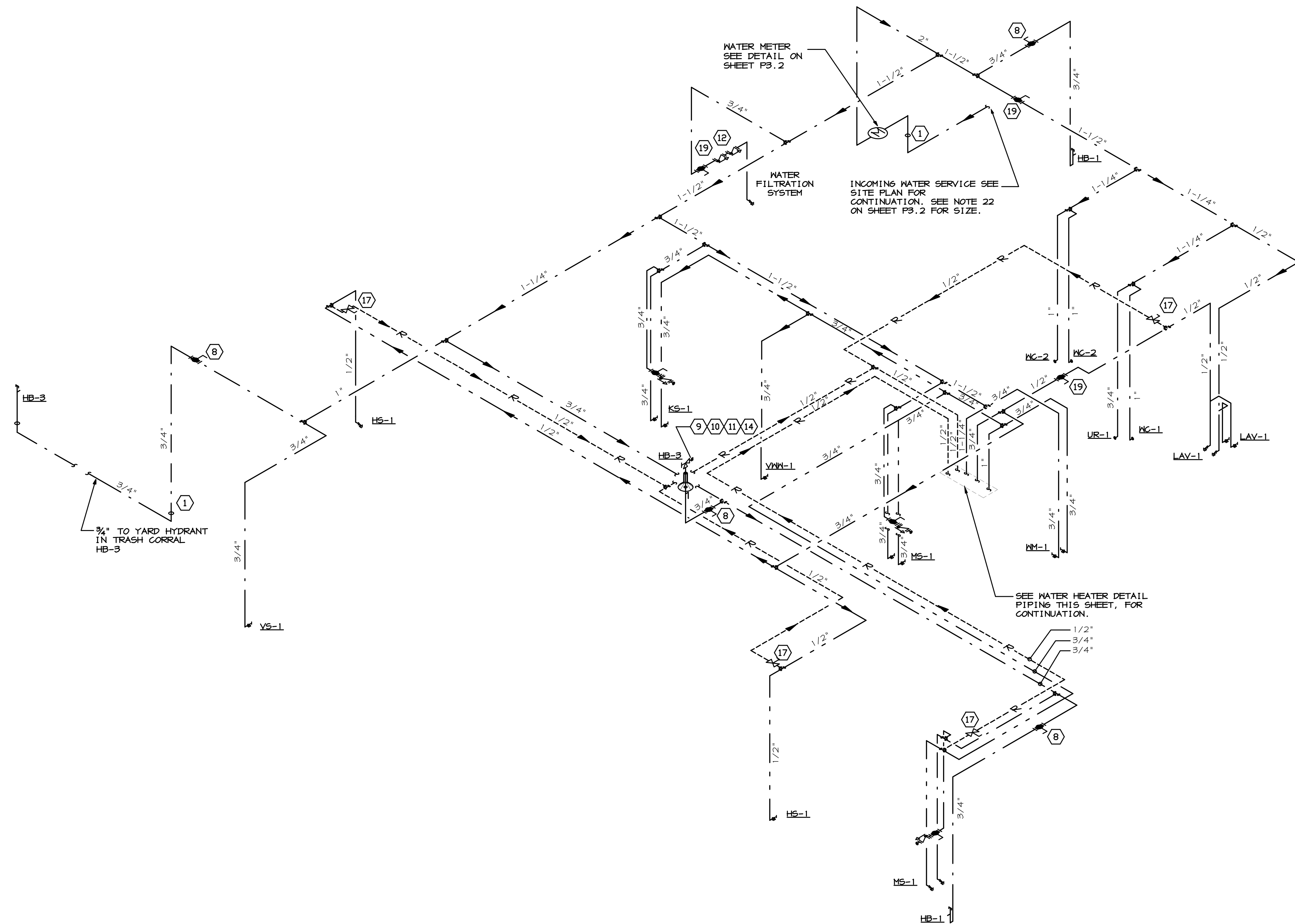
**2 CHEMICAL SYSTEM AT MOP SINK**  
 PS.0 SCALE: 1"=1'-0"

NOTE: THIS DETAIL IS SHOWN FOR REFERENCE ONLY. ALL REQUIREMENTS SHALL BE VERIFIED AND COORDINATED WITH THE CONSTRUCTION MANAGER AND KITCHEN EQUIPMENT SUPPLIER.



**3 CHEMICAL SYSTEM AT 3-COMP SINK**  
 PS.0 SCALE: NONE

NOTE: THIS DETAIL IS SHOWN FOR REFERENCE ONLY. ALL REQUIREMENTS SHALL BE VERIFIED AND COORDINATED WITH THE CONSTRUCTION MANAGER AND KITCHEN EQUIPMENT SUPPLIER.



**DOMESTIC SUPPLY ISOMETRIC DIAGRAM**

**RISER DIAGRAM NOTES:**

- 1 PIPE PENETRATION THRU BUILDING STRUCTURE. PROVIDE PIPE SLEEVE AS REQUIRED.
- 2 THERMAL EXPANSION TANK.
- 3 EXTEND WATER HEATER AND T4P DRAINS TO FLOOR DRAIN.
- 4 WATER HEATER PRESSURE/TEMPERATURE RELIEF VALVE.
- 5 WATER HEATER; SEE SCHEDULE SHEET P3.2.
- 6 VERTICAL GAS FLUE VENT FOR WATER HEATER. SEE SHEET M1.0 FOR FLUE TERMINATION LOCATION.
- 7 TEMPERING/ANTI-SCALD VALVE. LEONARD 210\*, FOMERS 420-BR-AHS-00 OR SPARCO AM-101C. INSTALL PER MANUFACTURER'S INSTRUCTIONS. SET AT 120°F.
- 8 LOCATE HYDRANT SHUTOFF VALVE IN A CONVENIENT AND ACCESSIBLE LOCATION. VERIFY WITH McDONALD'S PROJECT MANAGER EXACT LOCATION.
- 9 FREEZE PROOF HYDRANT. VERIFY EXACT LOCATION WITH McDONALD'S PROJECT MANAGER.
- 10 PROVIDE ROOF FLASHING FOR ROOF HOSE BIBB.
- 11 ROOF HOSE BIBB, VERIFY EXACT LOCATION WITH McDONALD'S PROJECT MANAGER.
- 12 PROVIDE 3/4" STAINLESS STEEL REDUCED PRESSURE PRINCIPLE BACK FLOW PREVENTOR ASSEMBLY, MATTS MODEL# 55009QT.
- 13 PROVIDE TRAP PRIMER FOR FLOOR DRAIN/SINK. CONNECT TO NEAREST WATER SOURCE.
- 14 1/4" DRAIN FROM ROOF HYDRANT. EXTEND DRAIN TO FLOOR DRAIN AS DIRECTED. VERIFY EXACT LOCATION WITH McDONALD'S PROJECT MANAGER.
- 15 SWING CHECK VALVE.
- 16 B46 SERIES 100, BRONZE BODY PUMP RATED FOR 12 GPM @ 15' OF HEAD; 1/12 HP MOTOR. CONTROLLED BY AQUASTAT AND TIMELOCK.
- 17 BALANCING VALVE.
- 18 STRAP-ON AQUASTAT TO CONTROL PUMP OPERATION.
- 19 PROVIDE SHUT OFF VALVE. VALVE TO BE LABELED. VERIFY LOCATION WITH PROJECT MANAGER.
- 20 SEALED COMBUSTION CONDENSATE DRAIN TO FLOOR DRAIN.
- 21 GAS CONNECTION.
- 22 WATER HEATER DRAIN
- 23 SEALED COMBUSTION INTAKE AND VENT.

REVISIONS		BY	DATE
1			
2			
3			
4			
5			
6			
7			

DRAWN BY: J.L.G. DATE ISSUED: 06/14/07 AS NOTED  
 CHECKED BY: J.E.Z. SCALE: M-1032  
 DATE DRAWN: 06/14/07 JOB NUMBER:

**Landry ARCHITECTS**  
 3000 SW 24th Ave., Ft. Lauderdale, FL 33309  
 Telephone: 954-586-0861 Fax: 954-586-0868

CONSULTANT:  
**Griffith & Vary, Inc.**  
 12 Kendall Rd., Weymouth MA, 02871  
 Telephone: 954-586-0868 Fax: 954-586-0868

SHEET TITLE:  
**DOMESTIC SUPPLY ISOMETRIC DIAGRAM**

RESTAURANT LOCATION:  
**332 St. John Street  
 PORTLAND, ME**

PREPARED FOR:  
**McDonald's USA, LLC**  
 McDONALD'S PLAZA  
 OAK BROOK, ILLINOIS 60451

SHEET NUMBER:  
**P3.0**