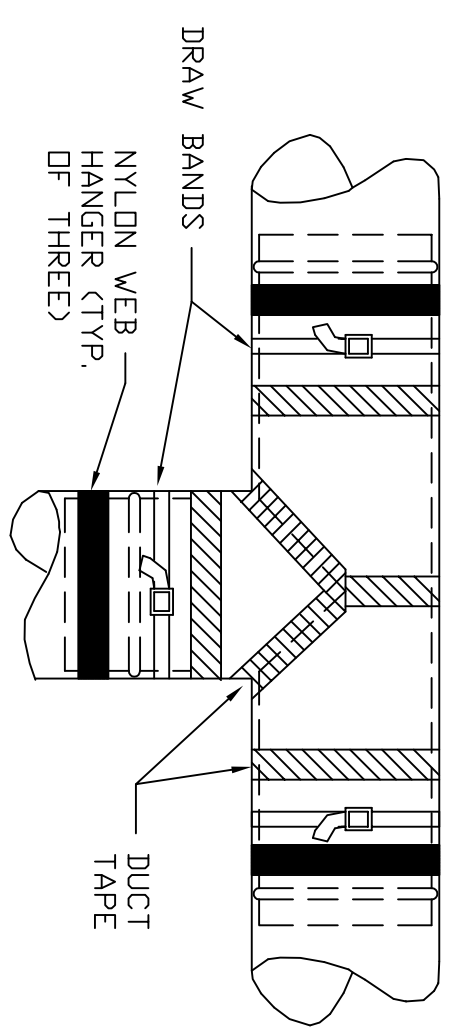
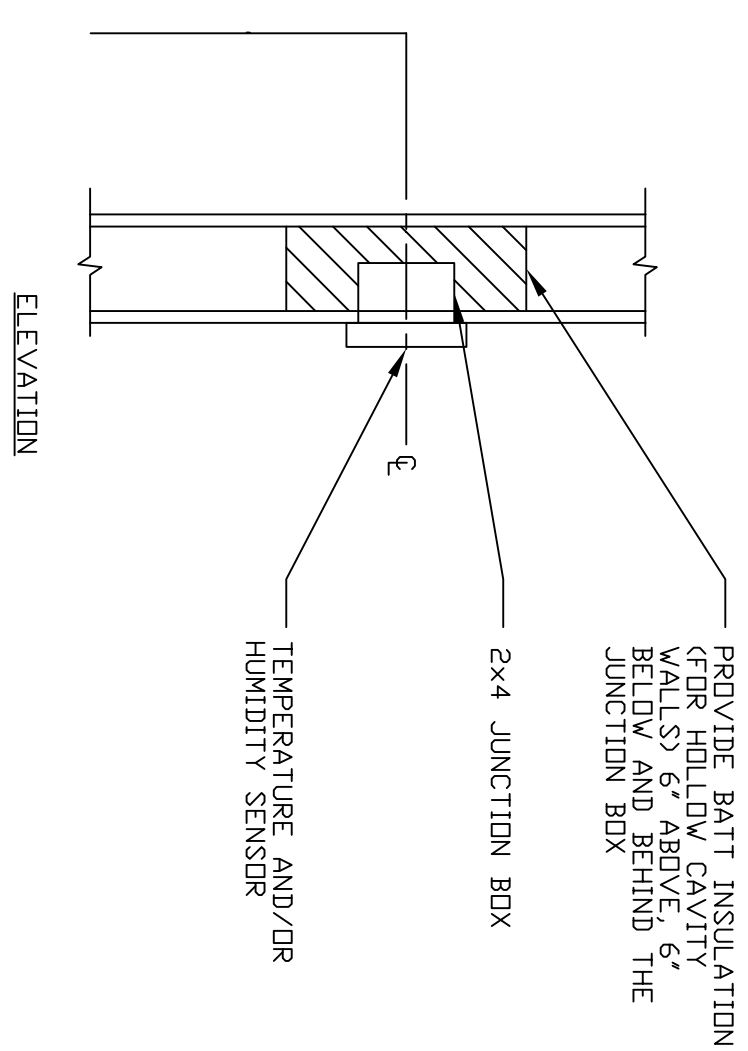


15 TON YORK ROOF CURB
NOT TO SCALE

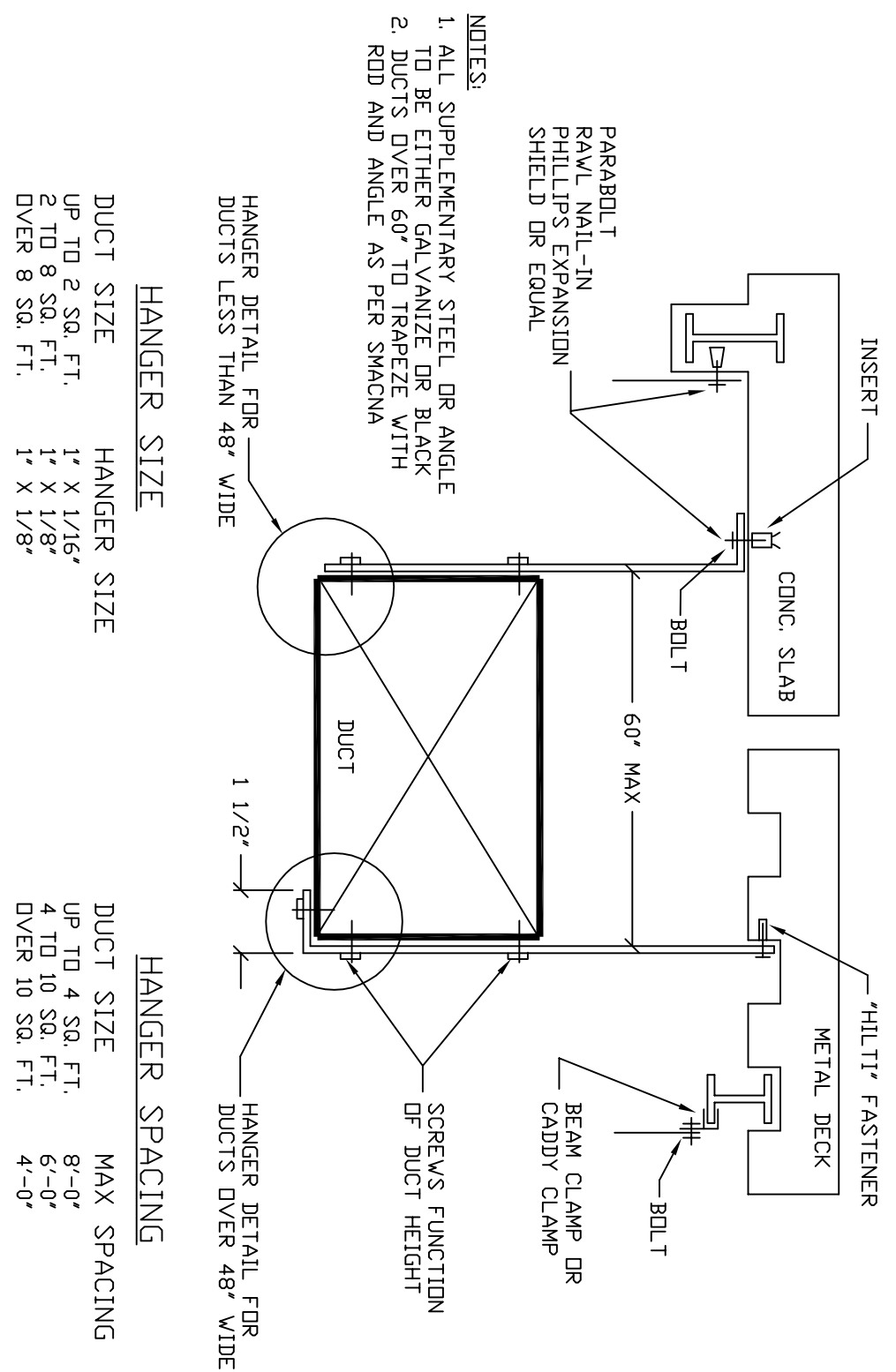


- NOTE:**
1. ALL SHEETMETAL FITTINGS AND COLLARS MUST BE COMPLETELY INSULATED.
 2. SHEETMETAL TEE MUST BE SUPPORTED WITH A NYLON WEB HANGER AT EACH CONNECTION POINT.

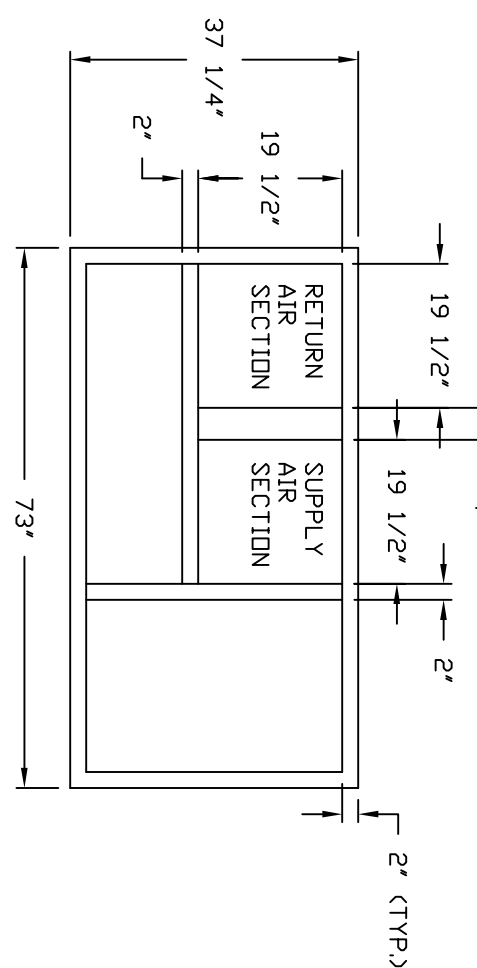
SHEETMETAL TEE INSULATION DETAIL
NOT TO SCALE



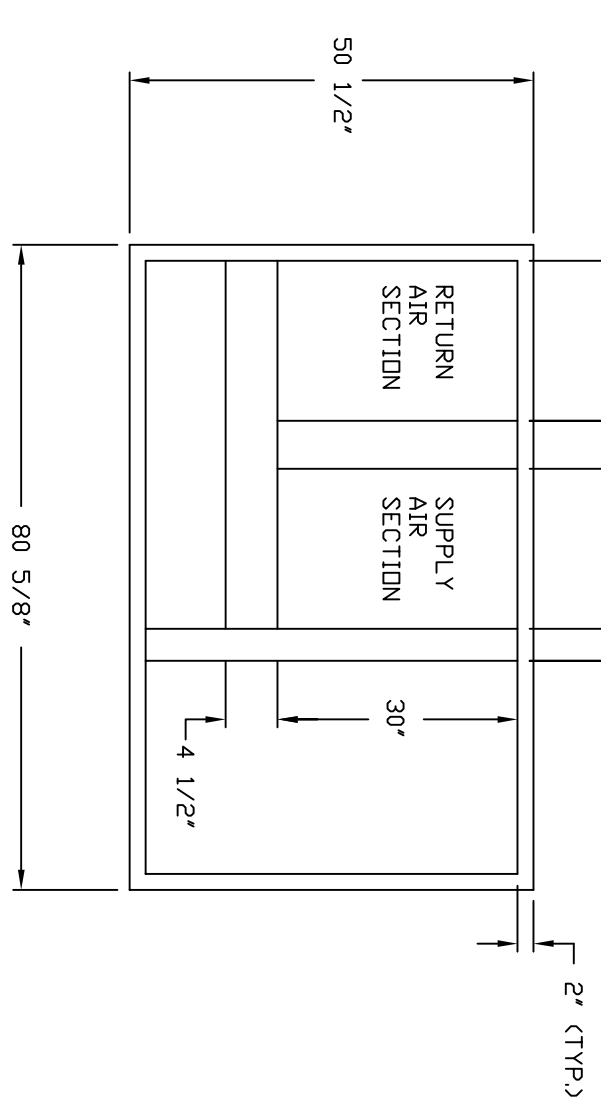
REMOTE SENSOR INSTALLATION
NOT TO SCALE



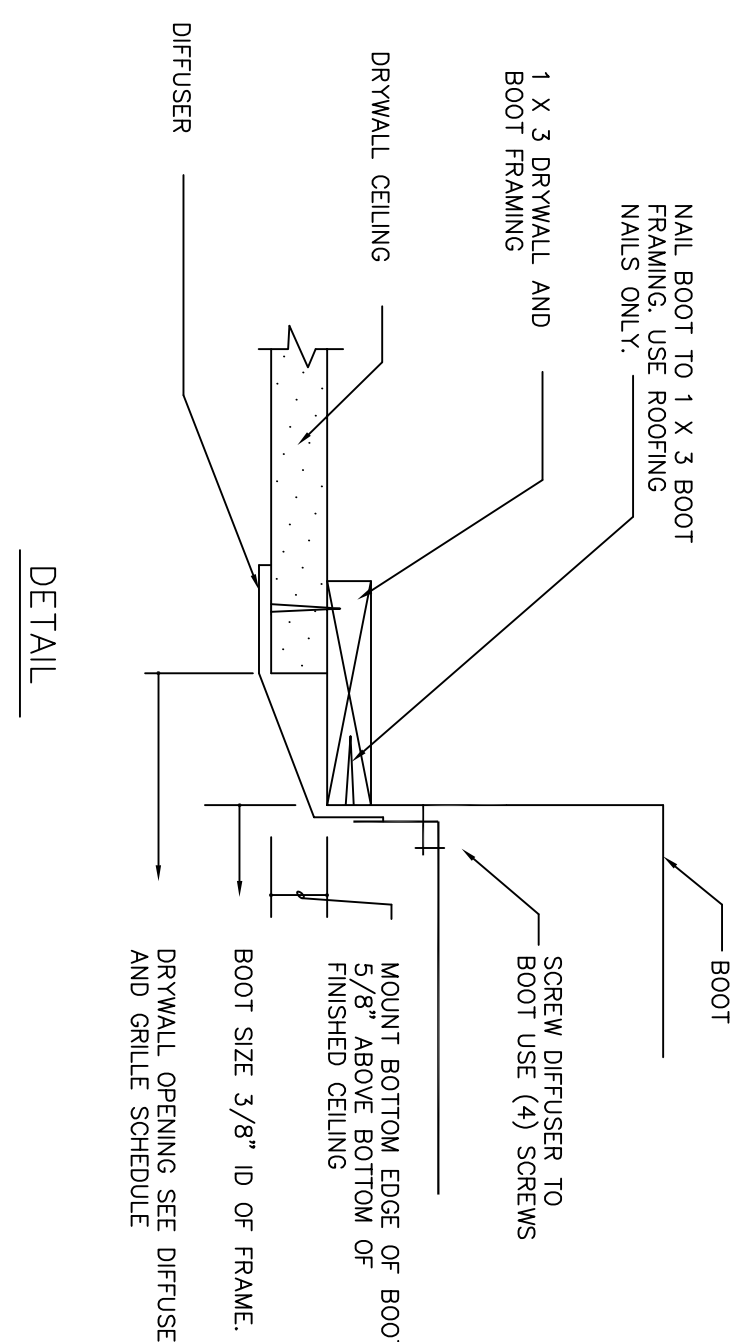
DUCT HANGING DETAILS
NOT TO SCALE



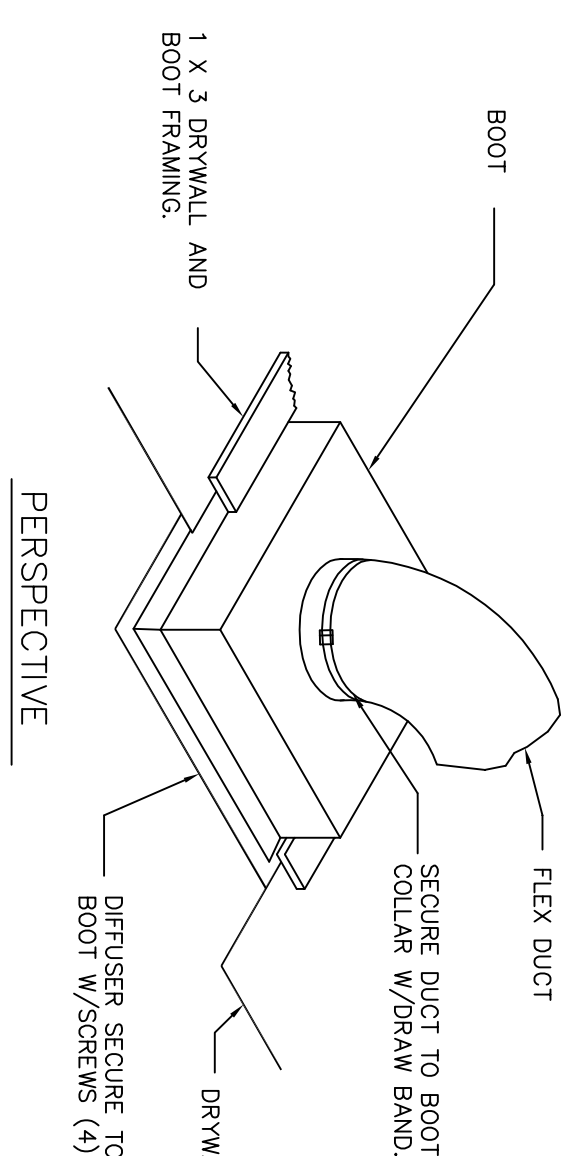
3 THRU 6 TON YORK ROOF CURB



6 1/2 THRU 12 1/2 TON YORK ROOF CURB



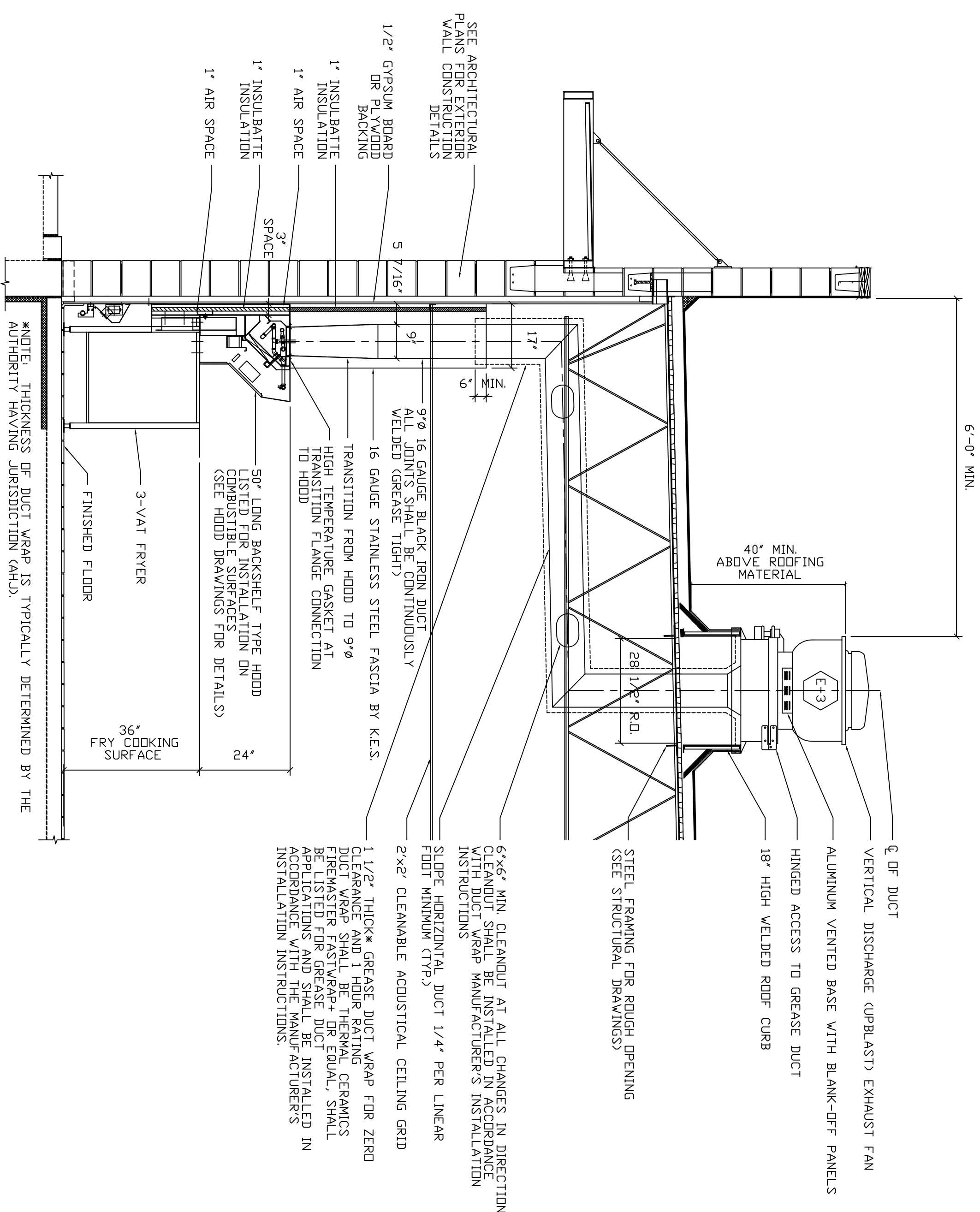
DETAIL



PERSPECTIVE

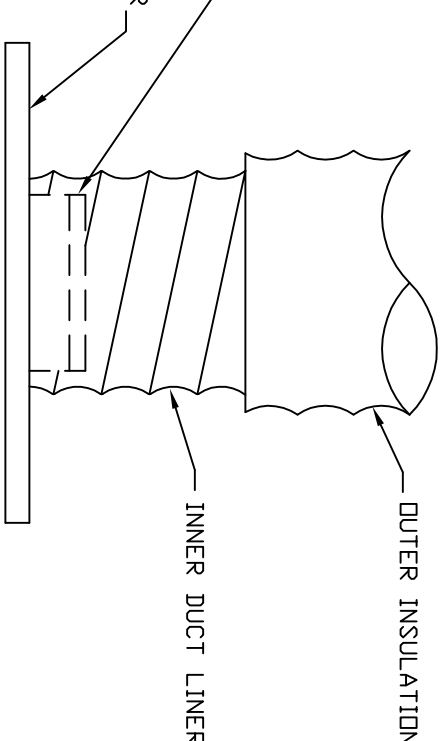
DIFFUSER BOOT INSTALLATION IN DRYWALL CEILING

N.T.S.

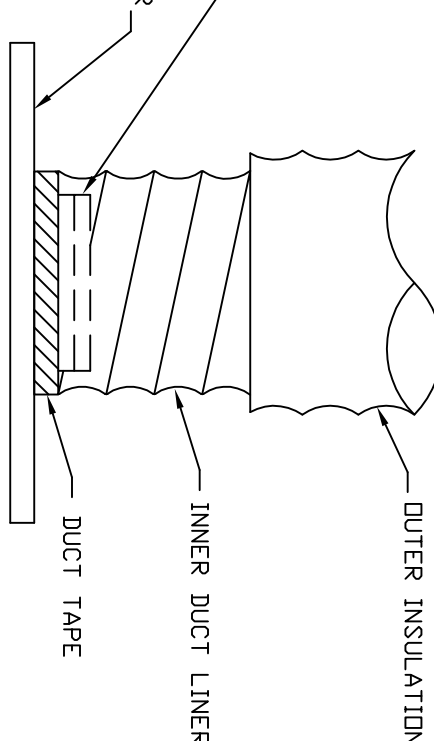


TYP. KITCHEN EXHAUST HOOD, DUCT AND FAN
SCALE: NONE
(3 VENT FRYSER SHOWN FOR REFERENCE)

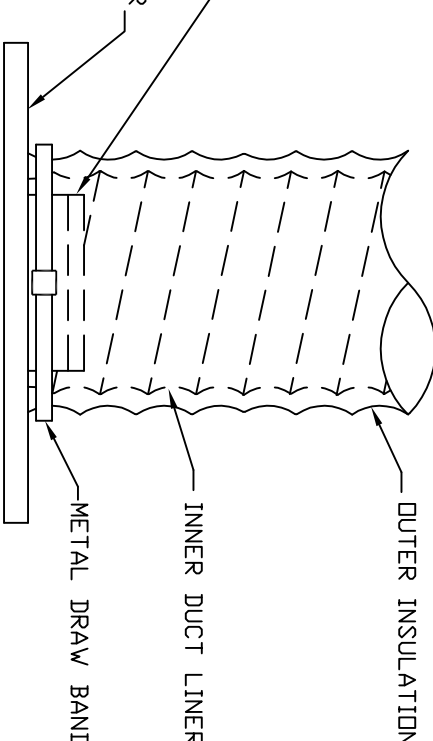
- FLEX DUCT CONNECTION TO DIFFUSERS, GRILLES AND SHEETMETAL PLENUM COLLARS**
1. PULL OUTER INSULATION JACKET BACK AND SLIDE INNER LINE OVER SHEETMETAL COLLAR



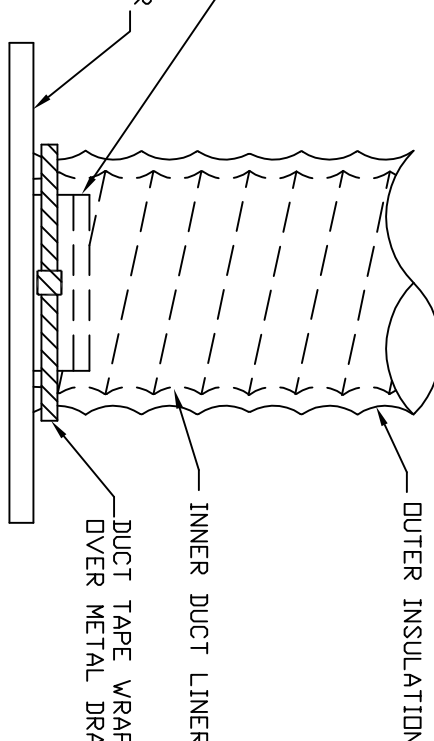
2. TAPE INNER-LINER TO SHEETMETAL COLLAR WITH SILVER DUCT TAPE. DUCT TAPE SHOULD BE WRAPPED AROUND SHEETMETAL COLLAR TWO FULL TURNS.



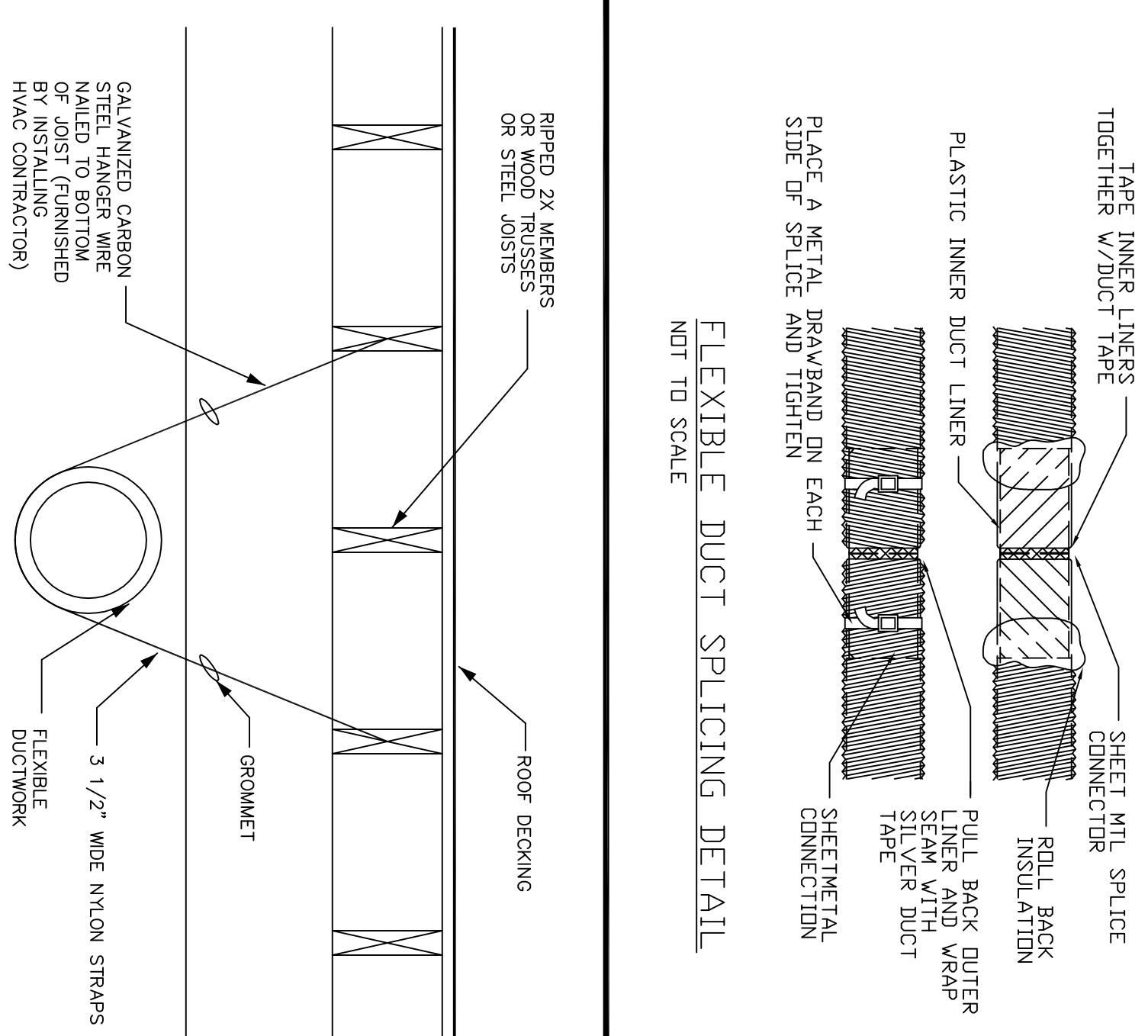
3. PULL OUTER INSULATION JACKET OVER SHEETMETAL COLLAR AND PLACE A METAL DRAW BAND OVER THE OUTER INSULATED JACKET BELOW THE SHEETMETAL COLLAR BEAD



4. CUT EXCESS METAL DRAW BAND OFF AND WRAP METAL DRAW BAND WITH SILVER DUCT TAPE.



FLEXIBLE DUCT SPLICING DETAIL
NOT TO SCALE



FLEXIBLE DUCT SUPPORT DETAIL
NOT TO SCALE

REVISIONS		
NO.	DATE	BY
1		
2		
3		
4		
5		
6		
7		

Landry ARCHITECTS
389 Main Street - Salem, NH 03079
T 603.890.6414 F 603.894.4358

DRAWN BY:	P.S.	DATE ISSUED:	08/14/07
CHECKED BY:	M.J.M.	SCALE:	AS NOTED
DATE DRAWN:	08/10/07	JOB NUMBER:	M-1032

CONSULTANT:
M.J. MARCHIA, INC.
AIR CONDITIONING SYSTEMS
6 WASHINGTON AVE., BAY SHORE, NY 11706
(631) 686-8560 • (631) 686-8577 Fax

SHEET TITLE:
HVAC DETAILS

PREPARED FOR:
McDonald's USA, LLC
McDONALD'S PLAZA
OAK BROOK, ILLINOIS
60521

RESTAURANT LOCATION:
332 St John Street
PORTLAND, ME

SHEET NUMBER:
M-3.1