

FIRE ALARM SYSTEM SPECIFICATIONS

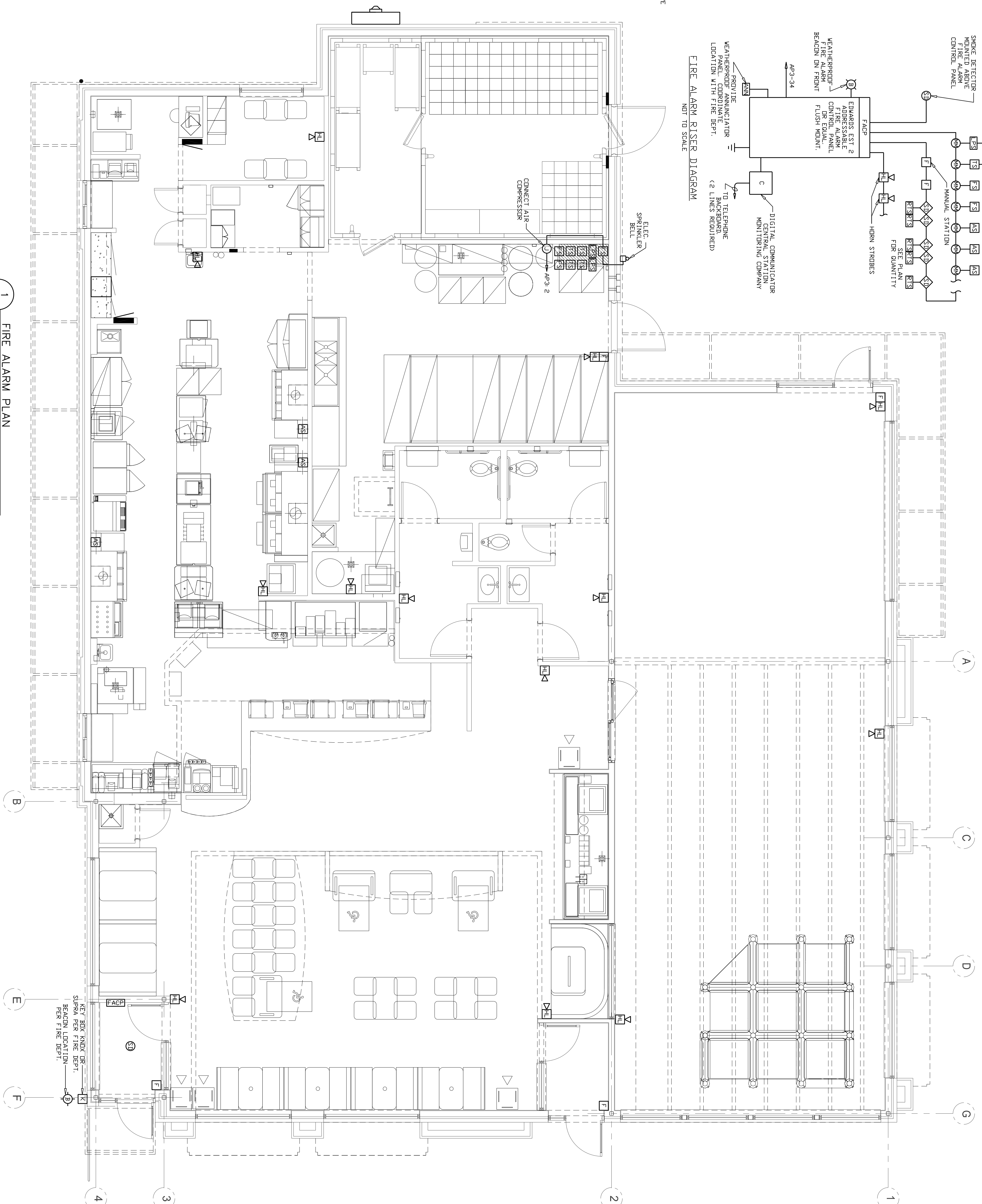
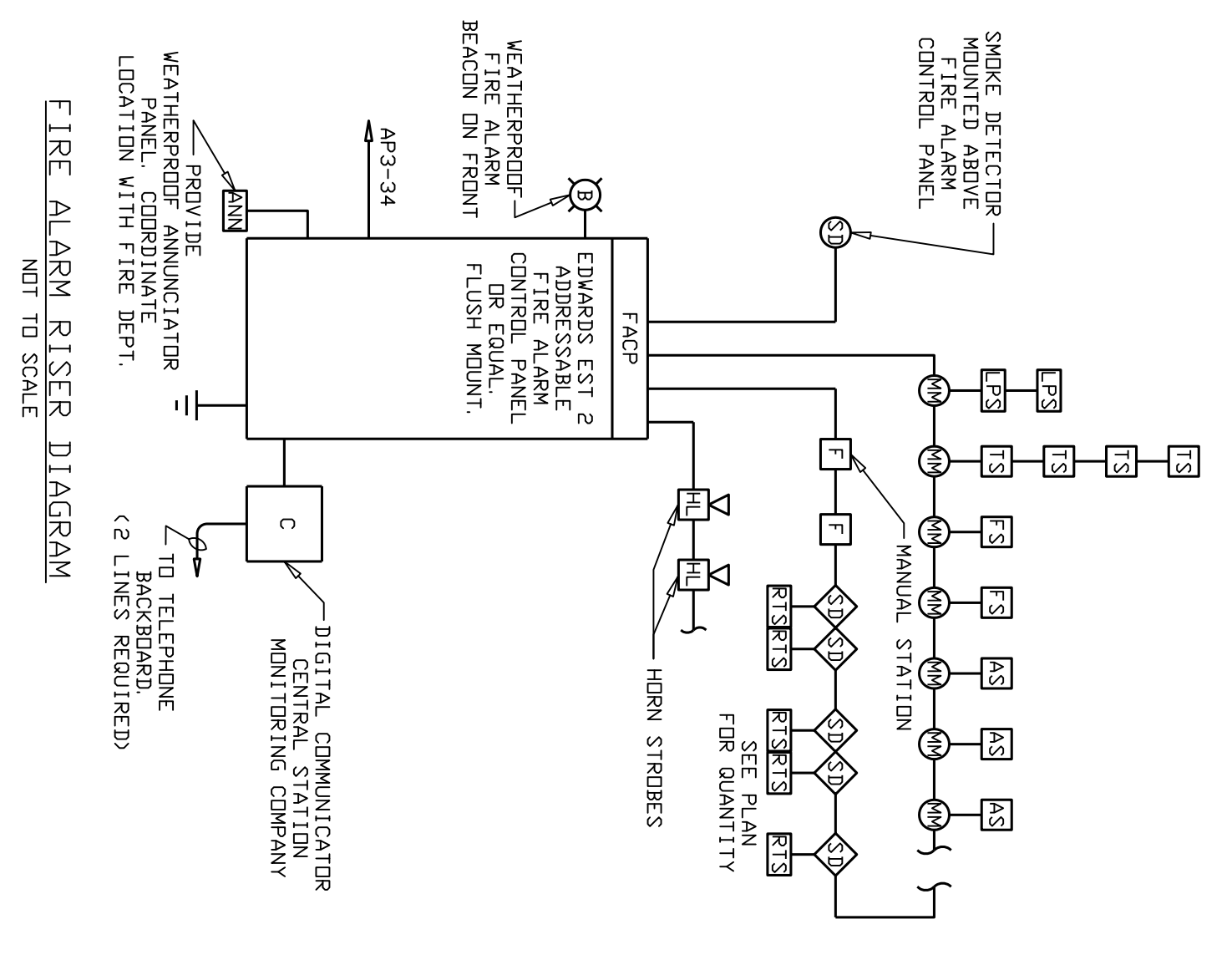
1. FURNISH AND INSTALL A FIRE ALARM SYSTEM THROUGHOUT THE BUILDING WITH ALL COMPONENTS FOR A COMPLETELY ADDRESSABLE WELL AS TROUBLE SIGNALS.
2. THE SYSTEM SHALL BE COMPLIANT WITH NFPA 72 AND THE REQUIREMENTS OF THE NATIONAL FIRE ALARM SIGNIFICATION CODE AND LOCAL FIRE DEPARTMENT.
3. THE SYSTEM SHALL BE MANUFACTURED BY EDWARDS SYSTEMS TECHNOLOGY CORPORATION. THE SYSTEM SHALL BE INCLUSIVE OF, BUT NOT LIMITED TO, THE FOLLOWING MAJOR COMPONENTS:
 - a. FIRE ALARM CONTROL PANEL - EST REC-2 SERIES OF THE FIRE ALARM CONTROL PANEL WITH THE SIGNAL AND SIGNAL MODULES AS WELL AS GEL CELL BATTERIES SUITABLE FOR A MINIMUM OF 72 HRS OF CONTINUOUS OPERATION ON LOSS OF AC POWER. THE PANEL SHALL BE MOUNTED IN A RACK WITH REPEAT BUILDS FROM ABOVE. THE PANEL SHALL BE WITH AUTHORIZED CENTRAL STATION SERVICE OVER DEDICATED LEASED TELEPHONE LINES.
 - b. FIRE ALARM REMOTE ANNUNCIATOR PANEL - EST SAN SERIES.
 - c. PULL STATIONS - EST MODEL 278B SERIES WITH LEXAN LIFT COVERS.
 - d. AUDIO-VISUAL HORN STROBE ALARM DEVICES - EST 892 SERIES.
 - e. REMOTE ALARM INDICATOR - RM400Z
 - f. SMOKE AND HEAT DETECTORS - EST MODEL 2551F SERIES FOR THE HEAT DETECTORS.
 - g. INTERFACE MONITOR MODULES - EST MODEL M500F SERIES.
 - h. LOCATOR LIGHT - EST MODEL 535-G1 - EXTERIOR BEACON OF A TYPE APPROVED BY THE LOCAL FIRE DEPARTMENT.
 - i. ALL DEVICES SHALL BE FLUSH MOUNTED IN ALL LOCATIONS - WHERE IT IS NOT FEASIBLE TO FLUSH MOUNT THE DEVICES SHALL BE FINISHED TO MATCH THE FINISH WITH THE DEVICES CAST BACK BOXES FINISHED RED TO MATCH THE DEVICE.
4. FINAL CONNECTIONS SHALL BE MADE UNDER DIRECT SUPERVISION OF A REPRESENTATIVE OF THE FIRE ALARM SYSTEM MANUFACTURER.
5. RACKING FOR THE FIRE ALARM SYSTEM SHALL BE PROPERLY SUPPORTED. JUNCTION BOXES WHERE CONCEALED SHALL HAVE THEIR COVERS PAINTED RED. CONDUITS AND CABLE SHALL BE PROVIDED WITH ONE INCH WIDE BANDING TAPE EVERY 20" ALONG THE LENGTH OF SAME AND A SINGLE BANDING TAPE FOR EACH SPANNER IN LENGTH. CONDUITS SHALL BE COLOR CODED PER INDUSTRY STANDARDS.
6. THE EXACT SIZE, NUMBER AND TYPE OF CONDUCTORS, WHETHER THEY MUST BE INCLUDED OR EXCLUDED, SHALL BE DETERMINED BY THE SYSTEM MANUFACTURER AND SO NOTED WHEN THE SHOP DRAWINGS ARE SUBMITTED FOR APPROVAL.
7. FIRE ALARM SYSTEM TESTING:
 - a. THE TEST OF THE FIRE ALARM SYSTEM SHALL INCLUDE ALL WIRING AND THE PROPER OPERATION OF ALL EQUIPMENT.
 - b. THE COST OF ALL TESTS SHALL BE BORNE BY THE SUB-CONTRACTOR. FOR THE PURPOSE OF THIS BID, ASSUME A MINIMUM OF THREE (3) TESTS: ONE (1) TEST WITH THE MANUFACTURER'S REPRESENTATIVE AND ARCHITECT PRESENT; AND ONE (1) TEST IN THE PRESENCE OF THE LOCAL FIRE DEPARTMENT OR THEIR AUTHORIZED TESTING AGENCY FOR THIS BUILDING.
 - c. FAILURES OF ANY DEVICES OR WIRING THAT WILL REQUIRE RETESTING OF THE SYSTEM SHALL BE THE RESPONSIBILITY OF THE CONTRACTOR. THE CONTRACTOR SHALL BE RESPONSIBLE FOR THE REPLACEMENT OF ANY DEFECTIVE COMPONENTS PRIOR TO RETESTING OF THE EQUIPMENT.

ELBEC ALARM NOTES:

1. ALL WORK SHALL COMPLY WITH THE REQUIREMENTS OF THE NATIONAL ELECTRICAL CODE, 2005 EDITION.
2. ALL MATERIALS SHALL BE NEW AND BEAR UL LABELS.
3. FINISH & INSTALL ALL LABORS AND MATERIALS REQUIRED FOR A COMPLETE INSTALLATION AS INDICATED.
4. SUPPLY SHOP DRAWINGS FOR FIRE ALARM SYSTEM TO LOCAL AUTHORITY FOR APPROVAL PRIOR TO INSTALLATION.
5. ALL LOW VOLTAGE & CONTROL WIRING SHALL BE DONE BY A LICENSED ELECTRICIAN. THIS WORK WILL REQUIRE SEPARATE PERMITS.

FIRE ALARM SYMBOLS

	FIRE ALARM MANUAL STATION
	HORN & STROBE UNIT FLUSH MOUNTED IN CEILING
	SMOKE DETECTOR
	FIXED TEMPERATURE HEAT DETECTOR
	SPRINKLER RISER WATER FLOW SWITCH
	SPRINKLER SHUT OFF VALVE TAPPER SWITCH
	ANSUL SYSTEM
	LOW PRESSURE SWITCH
	WATER PROOF STROBE LIGHT
	REMOTE ANNUNCIATOR PANEL
	FIRE ALARM CONTROL PANEL
	DUCT SMOKE DETECTOR
	REMOTE RESET/TEST SWITCH
	MONITOR MODULE
	CONTROL MODULE



RESTAURANT LOCATION: 1332 US ROUTE 302 PORTLAND, ME	SHEET TITLE: FIRE ALARM PLAN	CONSULTANT: ENGINEERING ADVANTAGE, INC. 2 PARK ST. BOSTON, MASSACHUSETTS 02122 PHONE: (617) 288-3969 FAX: (617) 825-8922	<table border="1" style="width: 100%; border-collapse: collapse;"> <thead> <tr> <th colspan="3">REVISIONS</th> </tr> <tr> <th>NO.</th> <th>DATE</th> <th>BY</th> </tr> </thead> <tbody> <tr><td>1</td><td></td><td></td></tr> <tr><td>2</td><td></td><td></td></tr> <tr><td>3</td><td></td><td></td></tr> <tr><td>4</td><td></td><td></td></tr> <tr><td>5</td><td></td><td></td></tr> <tr><td>6</td><td></td><td></td></tr> <tr><td>7</td><td></td><td></td></tr> </tbody> </table>	REVISIONS			NO.	DATE	BY	1			2			3			4			5			6			7		
REVISIONS																														
NO.	DATE	BY																												
1																														
2																														
3																														
4																														
5																														
6																														
7																														
PREPARED FOR: McDONALD'S PLAZA OAK BROOK, ILLINOIS 60521		DRAWN BY: CJC CHECKED BY: LAF DATE DRAWN: 04/17/07	DATE ISSUED: 08/14/07 SCALE: AS SHOWN JOB NUMBER: M-1035																											