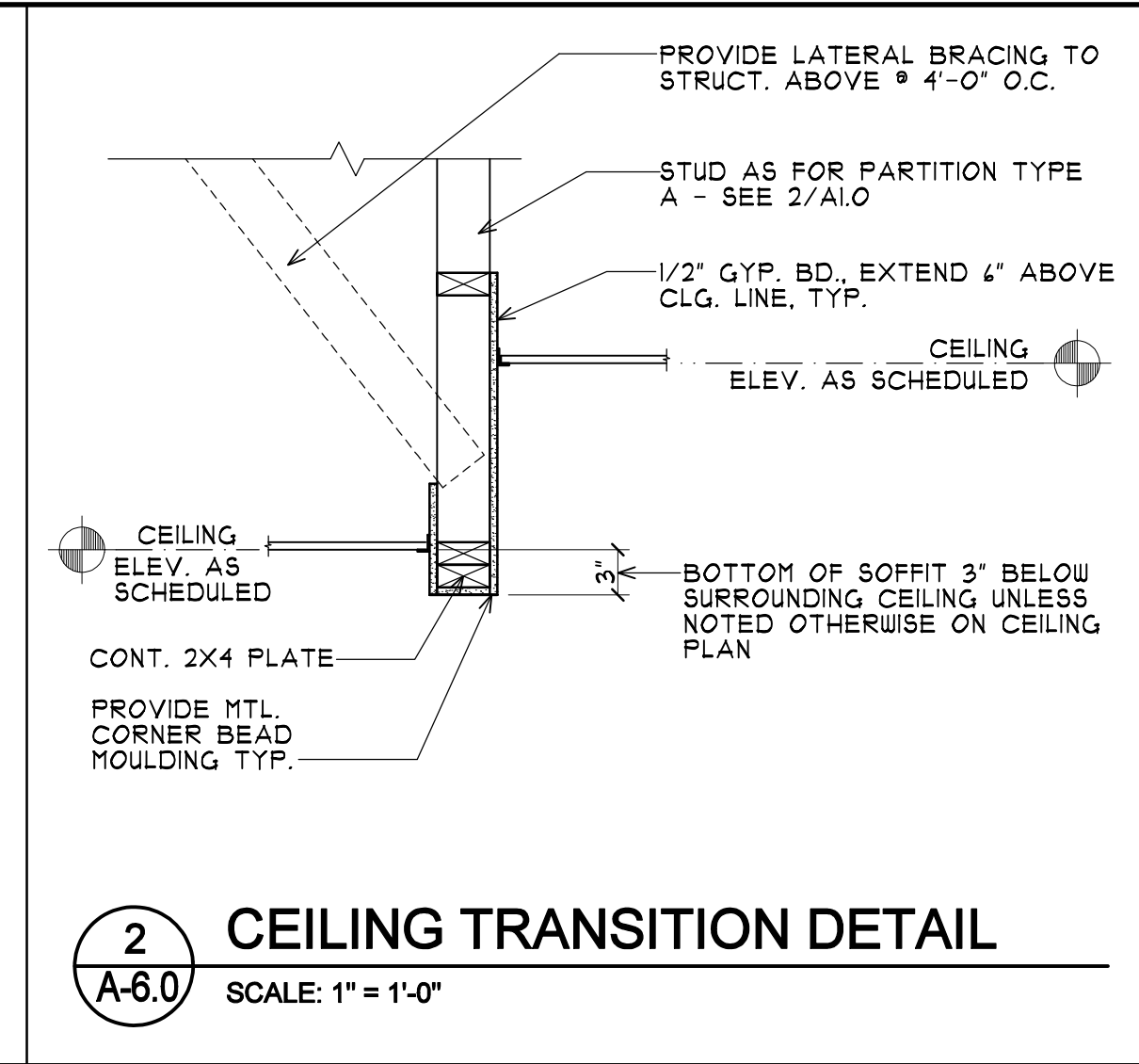
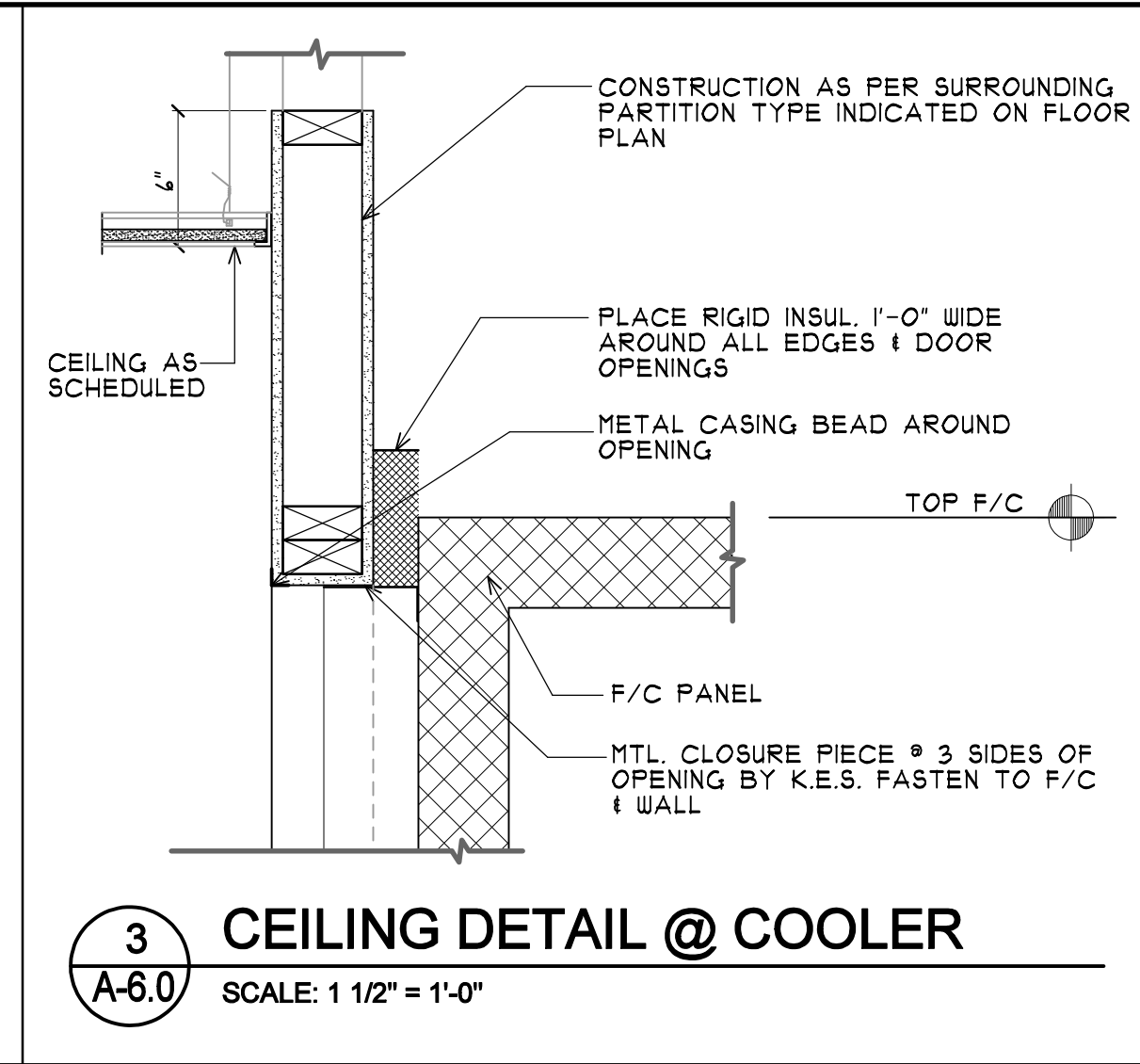


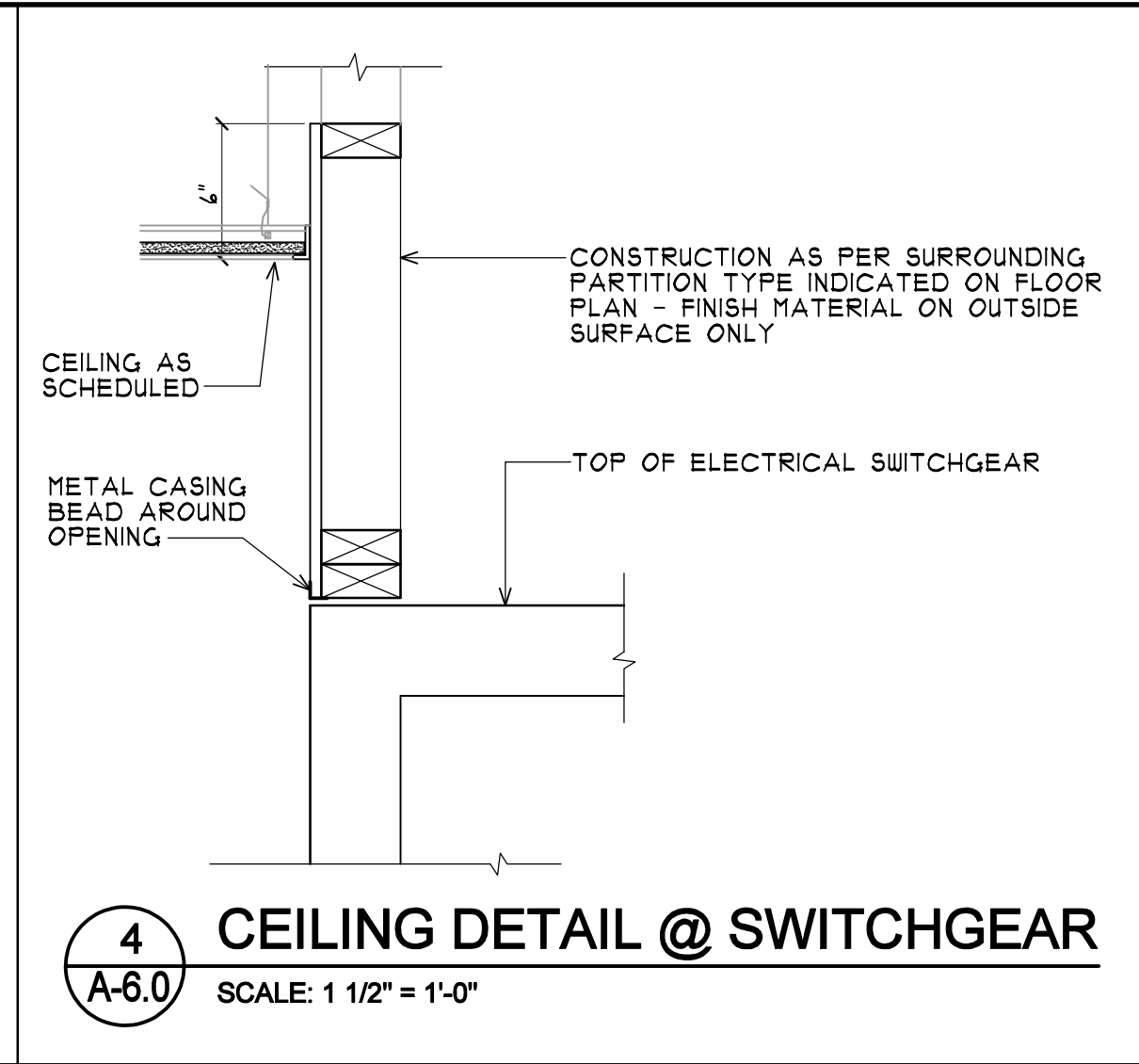
**1 SECTION @ MENU VALANCE**  
 SCALE: 1" = 1'-0"



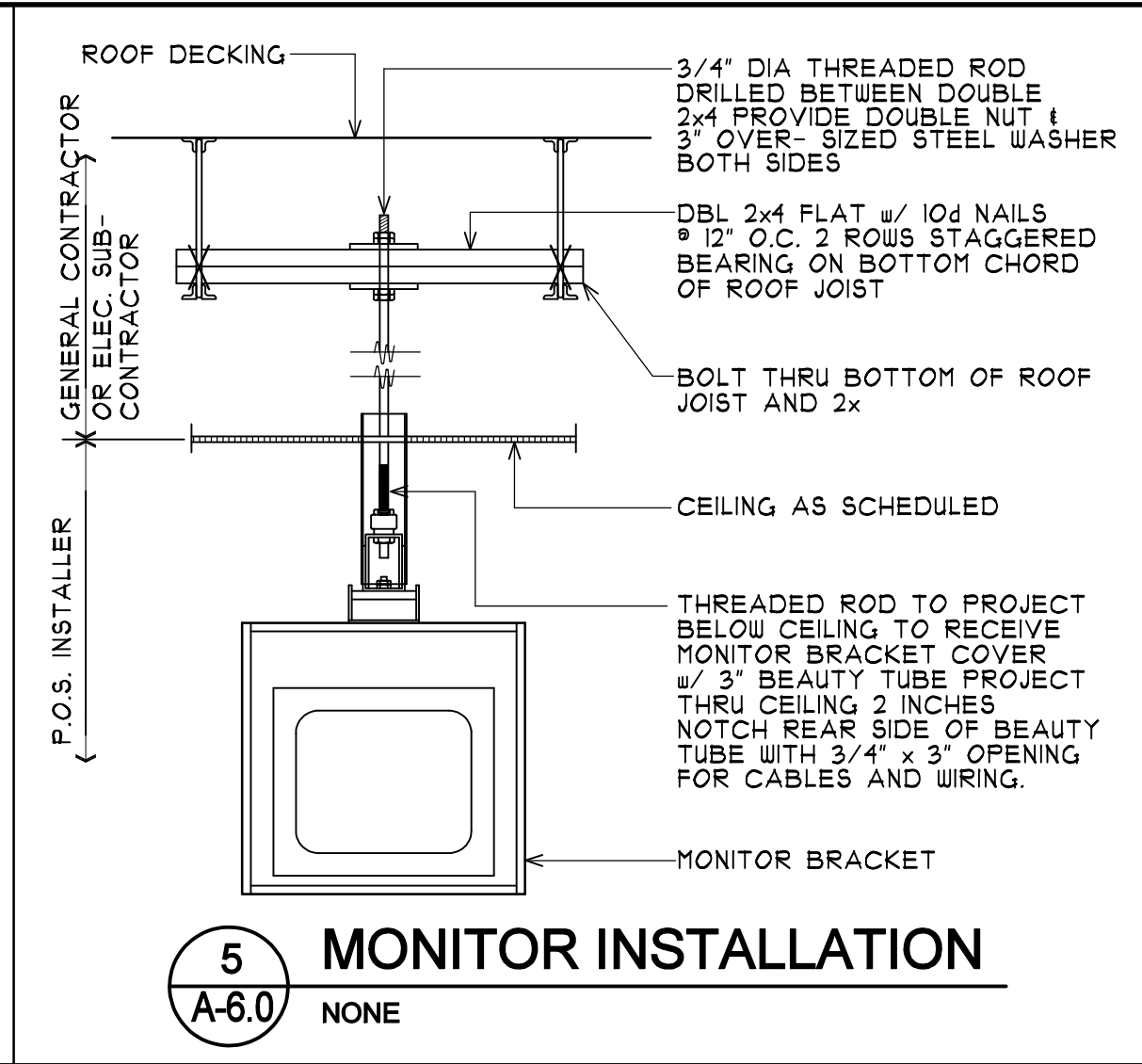
**2 CEILING TRANSITION DETAIL**  
 SCALE: 1" = 1'-0"



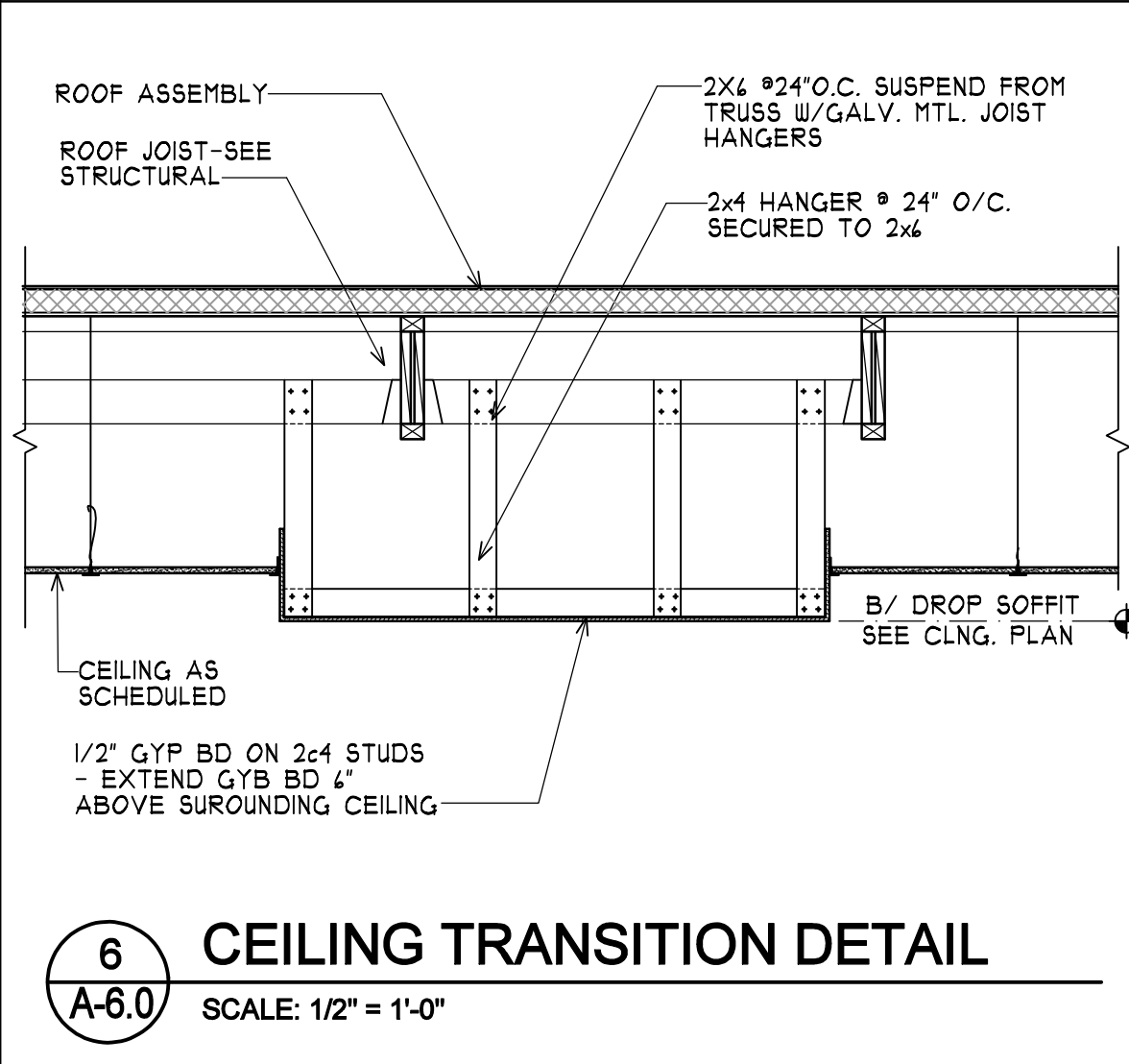
**3 CEILING DETAIL @ COOLER**  
 SCALE: 1 1/2" = 1'-0"



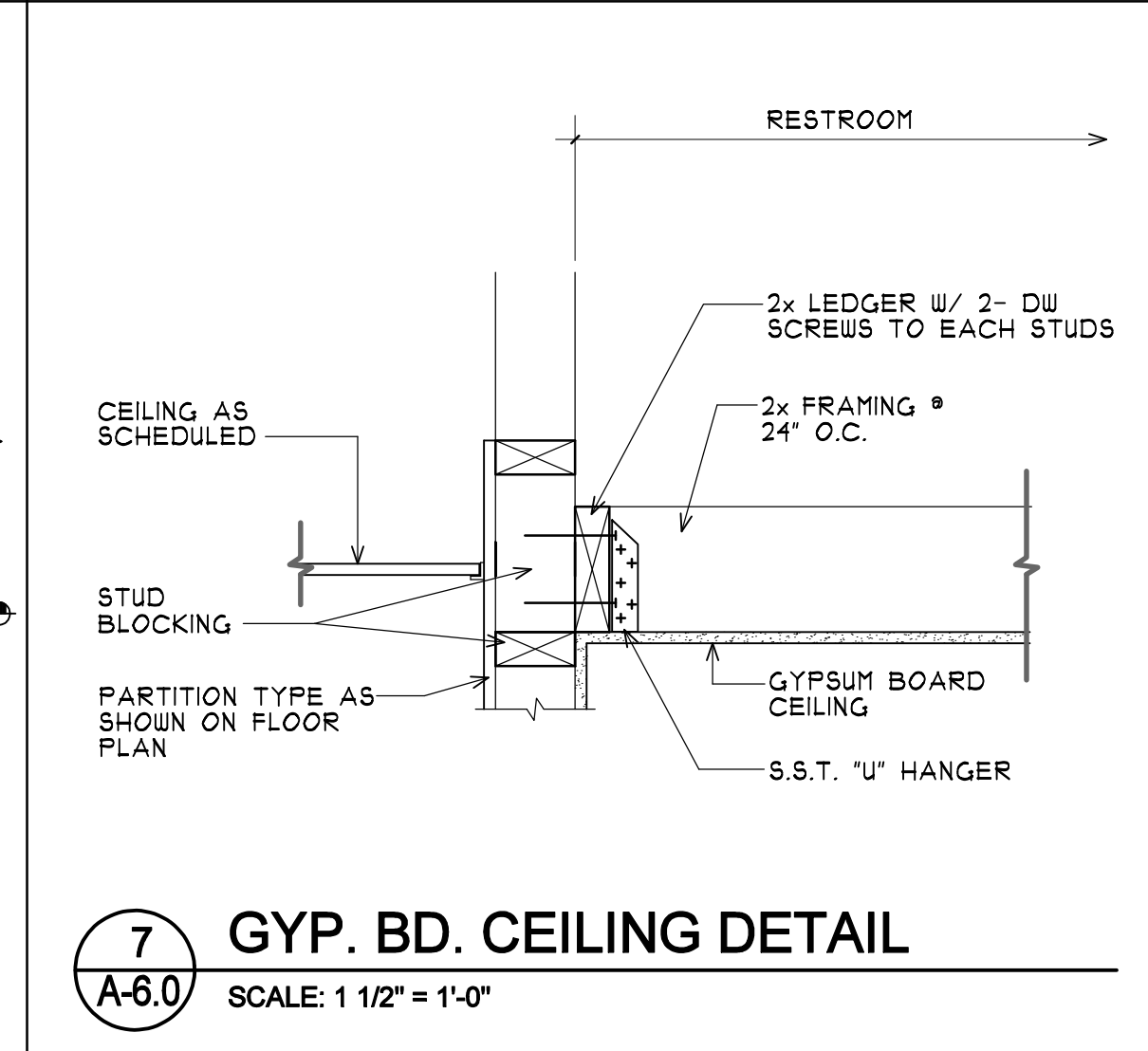
**4 CEILING DETAIL @ SWITCHGEAR**  
 SCALE: 1 1/2" = 1'-0"



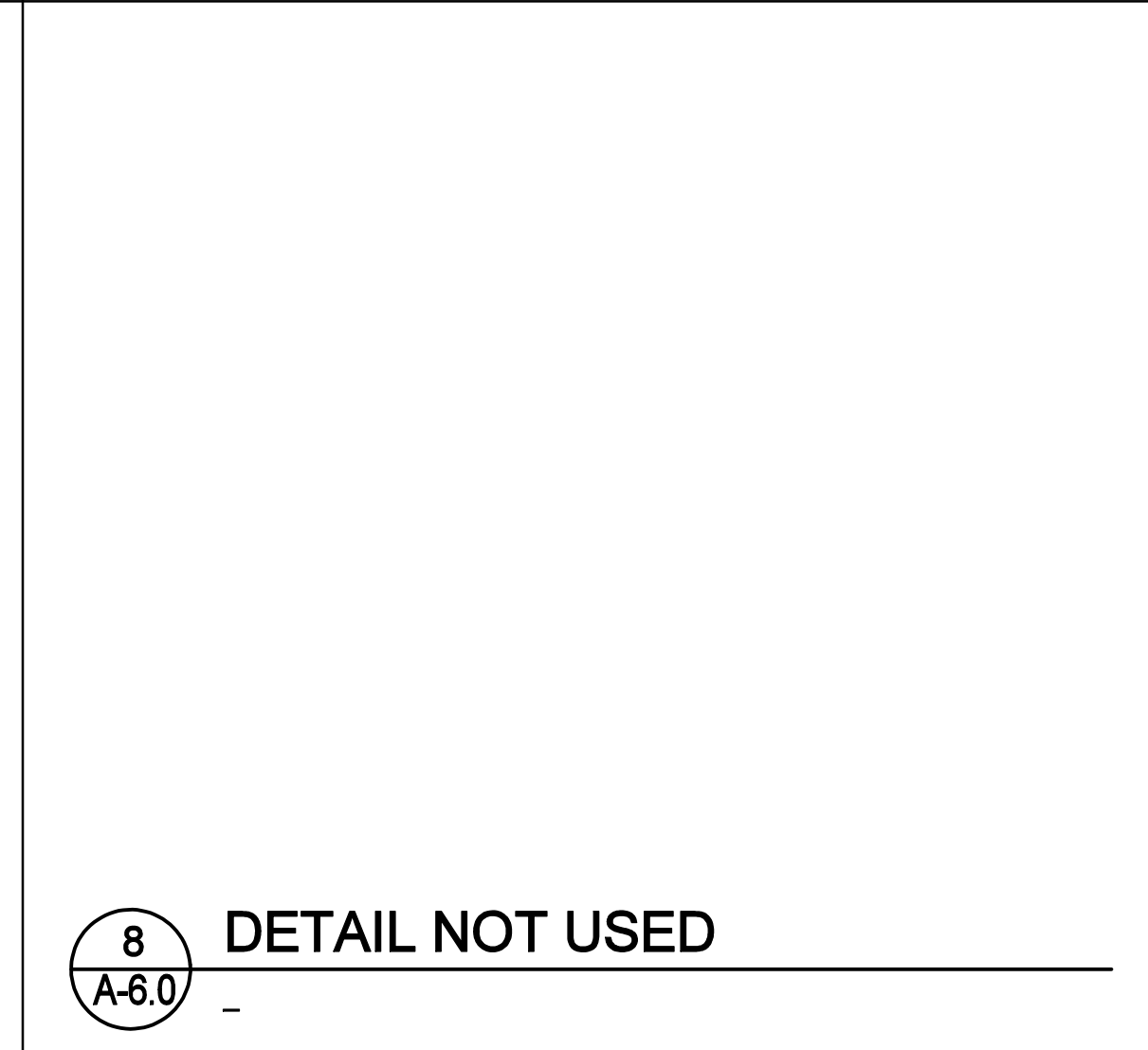
**5 MONITOR INSTALLATION**  
 SCALE: NONE



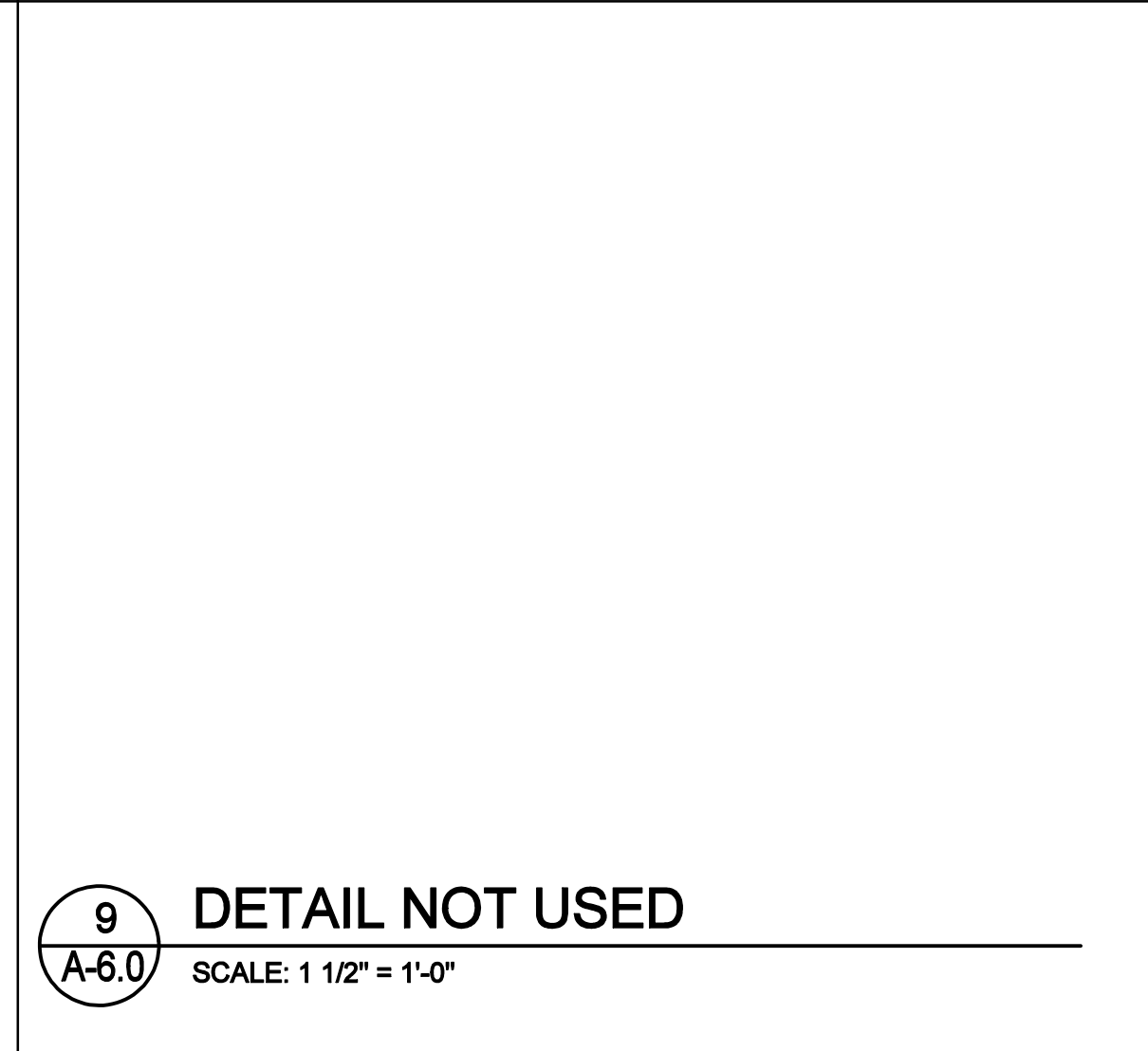
**6 CEILING TRANSITION DETAIL**  
 SCALE: 1/2" = 1'-0"



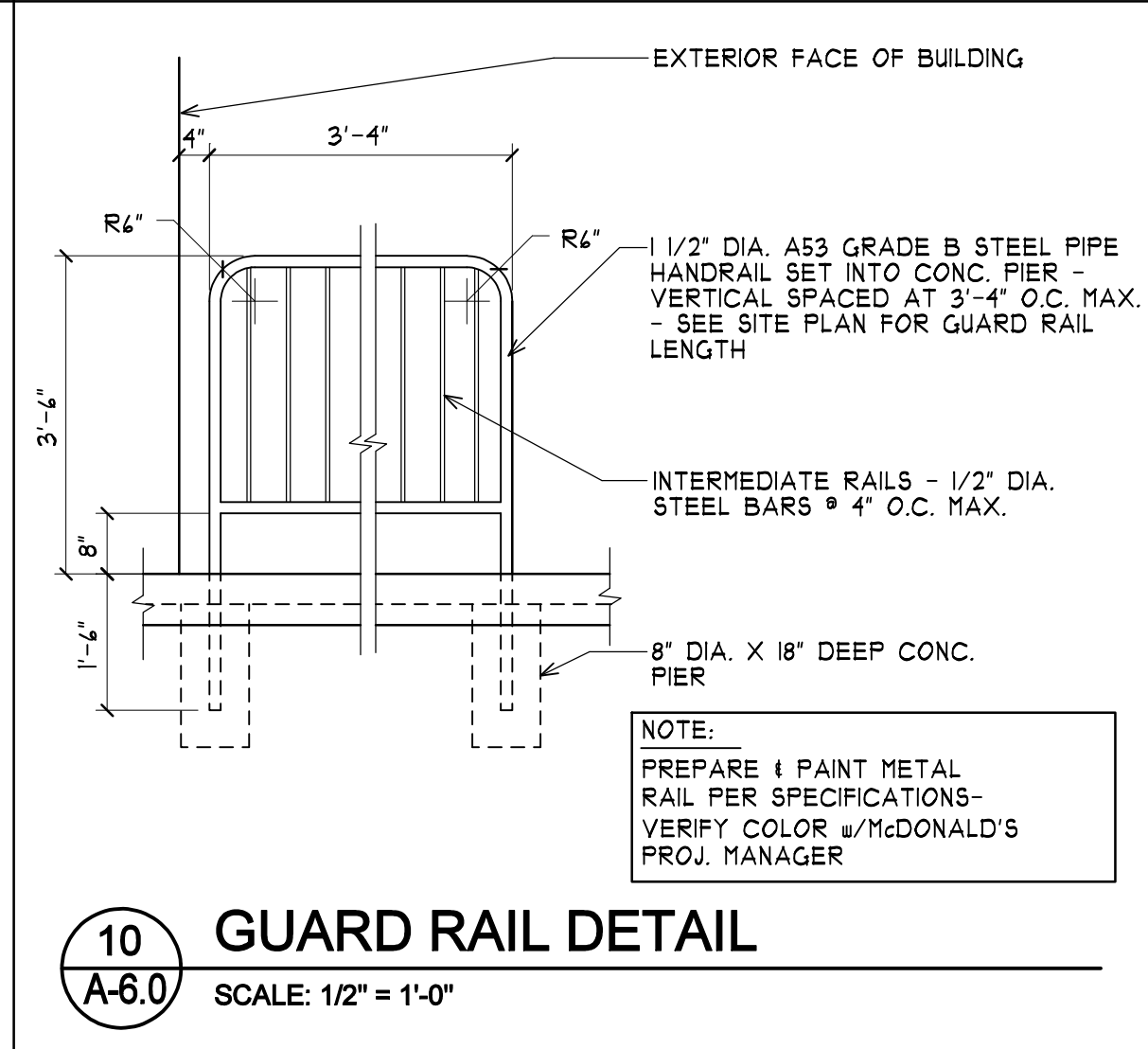
**7 GYP. BD. CEILING DETAIL**  
 SCALE: 1 1/2" = 1'-0"



**8 DETAIL NOT USED**  
 SCALE: -



**9 DETAIL NOT USED**  
 SCALE: 1 1/2" = 1'-0"



**10 GUARD RAIL DETAIL**  
 SCALE: 1/2" = 1'-0"

**GENERAL NOTES:**

- ALL EXIT DOORS SHALL BE KEYLESS IN THE DIRECTION OF EGRESS.
  - THE OPENING FORCE OF ALL EXT. PUSH/PULL DOORS SHALL NOT EXCEED 8 1/2 LBS.
  - THE OPENING FORCE OF ALL INTERIOR PUSH/PULL DOORS SHALL NOT EXCEED 5 LBS.
  - PROVIDE PANIC HARDWARE FOR ALL EXTERIOR DOORS AS NOTED ON THE DOOR SCHEDULE.
- DOOR #1**
- CLOSER: LCN 4041 x 18
  - HINGES: OFFSET PIVOT ANSI -A-154.4 GRADE I; PROVIDE EXPOSED PARTS OF CAST ALUMINUM ALLOY, AS SUPPLIED BY DOOR MANUFACTURER.
  - PUSH/PULL HANDLE: KAUNEER #CO-9 OR HAGER PUSH/PULL SET 144D/V/B.
  - PANIC HARDWARE: ADAMS RITE MFG. CO. (FINISH TO MATCH STOREFRONT DOOR)
  - THRESHOLD: NATIONAL GUARD PRODUCTS, INC. SADDLE TYPE THRESHOLD 325DKB, 3/4" WIDE x 1/2" RISE (ADA ACCESSIBLE).
  - WEATHER STRIPPING: PROVIDE COMPRESSION WEATHER STRIPPING AGAINST FIXED STOPS AT OTHER EDGES PROVIDE SLIDING WEATHER STRIPPING RETAINED IN ADJUSTABLE STRIP MORTISED INTO DOOR EDGE. PROVIDE EPDM OR VINYL GASKET WEATHER STRIPPING IN BOTTOM DOOR RAIL ADJUSTABLE FOR CONTACT W/THRESHOLD.
  - SIGN: MOUNT ONTO DOOR, TO READ "THIS DOOR MUST REMAIN UNLOCKED WHENEVER THE BUILDING IS OCCUPIED/DURING BUSINESS HOURS."
- DOOR #2**
- CLOSER: LCN 4041 x 18
  - HINGES: OFFSET PIVOT ANSI -A-154.4 GRADE I; BY DOOR MANUFACTURER.
  - PUSH/PULL HANDLE: HAGER PUSH/PULL SET 144D/V/B.
- DOOR #3**
- CLOSER: LCN-411H-CUSH
  - HINGES: ROTON - MODEL 180-112-HD, CLEAR ANODIZED FINISH.
  - LOCKSET: MCDONALD'S SPECIAL SECURITY LOCKSET MORTISE LOCK W/JIMMY PLATE AS MODIFIED BY SUPPLIER.

- PANIC HARDWARE: VON DUPRIN 22EO; EXIT ONLY PANIC, NO CYLINDER
  - DETEX: MODEL #2500-ACF DOOR ALARM
  - WEATHER STRIPPING: NATIONAL GUARD I-40A. PROVIDE COMPRESSION WEATHER STRIPPING AGAINST FIXED STOPS AT OTHER EDGES PROVIDING SLIDING WEATHER STRIPPING RETAINED IN ADJUST. STRIP MORTISED INTO DOOR EDGE. PROVIDE EPDM OR VINYL GASKET WEATHER STRIPPING IN BOTTOM DOOR RAIL ADJUST. FOR CONTACT WITH THRESHOLD.
  - DOOR SILENCERS: HAGER, QUANTITY = 3.
  - 4"x4" SECURITY FRAME VIEW WINDOW W/FLOP BY NATIONAL GUARD.
  - THRESHOLD: NATIONAL GUARD PRODUCTS, INC. SADDLE TYPE THRESHOLD 325DKB, 48" WIDE x 1/2" RISE (ADA ACCESSIBLE).
  - DOOR SWEEP: NATIONAL GUARD IOIAY 48"
  - 12 INCH LATCH GUARD.
- DOOR #3A**
- HINGES: ROTON - MODEL 180-112-HD, CLEAR ANODIZED FINISH.
  - LOCKSET: SCHLAGE DEADBOLT LOCK B-441.
  - PULL HANDLE: HAGER H-3-E
  - WEATHER STRIPPING: NATIONAL GUARD I-40A. PROVIDE COMPRESSION WEATHER STRIPPING AGAINST FIXED STOPS AT OTHER EDGES PROVIDING SLIDING WEATHER STRIPPING RETAINED IN ADJUST. STRIP MORTISED INTO DOOR EDGE. PROVIDE EPDM OR VINYL GASKET WEATHER STRIPPING IN BOTTOM DOOR RAIL ADJUST. FOR CONTACT WITH THRESHOLD.
  - DOOR SILENCERS: HAGER, QUANTITY = 3.
  - THRESHOLD: NATIONAL GUARD PRODUCTS, INC. SADDLE TYPE THRESHOLD 325DKB, 48" WIDE x 1/2" RISE (ADA ACCESSIBLE).
  - DOOR SWEEP: NATIONAL GUARD IOIAY 48"
- DOOR #4 (NOT USED)**
- CONTINUOUS HINGE: HAGER ROTON - #180-112-HD, CLEAR ANODIZED FINISH
  - CLOSER: LCN-411H-CUSH
  - THRESHOLD: NATIONAL GUARD PRODUCTS, INC. SADDLE TYPE THRESHOLD 325DKB, 3/4" WIDE x 1/2" RISE (ADA ACCESSIBLE).
  - ALL OTHER HARDWARE IS THE SAME AS USED FOR DOOR #3.)

- DOOR #5 (TIGHT FITTING)**
- CLOSER: LCN-1521 PULL SIDE MOUNTED
  - HINGES: HAGER BBI219 US24D 4 1/2" x 4 1/2" - 1-1/2" PAIR OR EQUAL.
  - PUSH / PULL PLATE: PUSH - HAGER 305 4X14 US28; PULL - HAGER H-33E 4X14 PLATE US28
  - WALL STOP: HAGER 234W
  - KICK PLATES: US28D SATIN, ALUM. 8" x 34" x 1/8 GA. (2) PER DOOR
  - DOOR SILENCERS: HAGER, QUANTITY = 3
- DOOR #6 & #4A**
- HINGES: HAGER B1250 US24D 4 1/2" x 4 1/2", 1 PAIR
  - LOCKSET: HAGER #3115 (modified) US24D DEADBOLT WITH PULLS
  - WALL STOP: HAGER 234W
  - COAT HOOK: BRADLEY 923 ROBE HOOK, INSIDE FACE OF DOOR AT 48" A.F.F.
- DOOR #7 & #8**
- HINGES: HAGER BBI219 US24D 4 1/2" x 4 1/2", 1-1/2" PAIR, OR EQUAL
  - LOCKSET: SCHLAGE D-80-PD RHODES US24D FINISH
- DOOR #9**
- ALL DOOR HARDWARE FOR THE REFRIGERATED COOLER / FREEZER SHALL BE PROVIDED BY THE MANUFACTURER.  
 MANUFACTURER: KOLPAK # Huy 441 N. McCORKLE PARK ROAD, PARSONS, TN 38363. PHONE: 800-334-4415
- HARDWARE PROVIDED**
- MAGNETIC PERIMETER DOOR GASKET
  - THRESHOLD-FIBERGLASS REINFORCED PLASTIC (FRP)
  - POSI-SEAL DOOR CLOSURE
  - STATIONARY CHROME DOOR PULL HANDLE
  - INTERIOR SAFETY RELEASE HANDLE
  - HINGES - BRUSHED CHROME CAST ALLOY

- DOOR #10**
- ALL ASSOCIATED HARDWARE SUPPLIED AND INSTALLED BY DOR-O-MATIC. INCLUDE ASTRO - SCAN MOTION SENSOR
  - LOCKSET: FALCON D84K-IC SINGLE CYLINDER DEADBOLT W/ INTERCHANGEABLE CORE. EMERGENCY LOCK OUT DEVICE CONNECTED TO CASHIER CONTROL PANEL.
  - WEATHER STRIPPING: SUPPLIED AND INSTALLED BY DOR-O-MATIC.
  - THRESHOLD: FULL WIDTH SUPPLIED BY DOR-O-MATIC.

MARK	ROOM NAME	FLOOR	BASE	WALLS	CEILING *	REMARKS
100	CUSTOMER SERVICE	FLOOR TILE (NOTE 4)	COVERED QUARRY TILE	CERAMIC TILE	CEILING AS SCHEDULED	
101	DINING	QUARRY TILE (NOTE 4)	COVERED STRATA #5 TILE	CER. TILE AS NOTED ON AI	CEILING AS SCHEDULED	
102	WOMEN'S TOILET	IMPACT FLOORING	4" COVERED VINYL	PRE-FAB METAL SKIN PANEL	CEILING AS SCHEDULED	
103	MEN'S TOILET		4" ALUM. COVERED BASE	TECH. SUSPENSION	CEILING AS SCHEDULED	
104	SUPPORT		W/IC OVER GYP BD	2"x2" ACOUST. L.A.T.N	CEILING AS SCHEDULED	
105	KITCHEN		FRP OVER GYP BD	PAINTED GYP. BD.	CEILING AS SCHEDULED	
106	PRESENTER		FRP OVER GYP BD	2"x2" VINYL-FACED L.A.T.N	CEILING AS SCHEDULED	
107	ORDER		CEMENT BOARD	PRE-FAB METAL SKIN PANEL	CEILING AS SCHEDULED	
108	MANAGER'S AREA		SEE DECOR DRAWINGS	PAINT ON STRUCTURE ABOVE	CEILING AS SCHEDULED	
109	CREW ROOM				CEILING AS SCHEDULED	
110	COOLER				CEILING AS SCHEDULED	
111	FREEZER				CEILING AS SCHEDULED	
112	COMPUTER CLOSET				CEILING AS SCHEDULED	
113	CLOSET				CEILING AS SCHEDULED	
114	JANITOR'S CLOSET				CEILING AS SCHEDULED	
115	VESTIBULE				CEILING AS SCHEDULED	
116	PLAYPLACE TOY AREA				CEILING AS SCHEDULED	
117	PLAYPLACE DINING				CEILING AS SCHEDULED	
118	VESTIBULE				CEILING AS SCHEDULED	

**GENERAL FINISH NOTES**

- ALL FINISH SURFACES OF WALL AND CEILING MATERIALS SHALL BE CLASS II AND SHALL HAVE A FLAME SPREAD RATING OF 24 TO 75 AND A SMOKE DENSITY OF 450 (PER IBC TABLE 8A).
- DRAPES AND OTHER DECORATIVE MATERIALS SHALL BE FLAME RETARDANT.
- DECORATIVE MATERIAL SHALL NOT CONCEAL EXITS, EXIT LIGHTS, FIRE ALARM STATIONS, HOSE CABINETS, AND EXTINGUISHER LOCATIONS.
- QUARRY TILE: DAL-TILE DIABLO RED 6X6 WITH BLACK GROUT

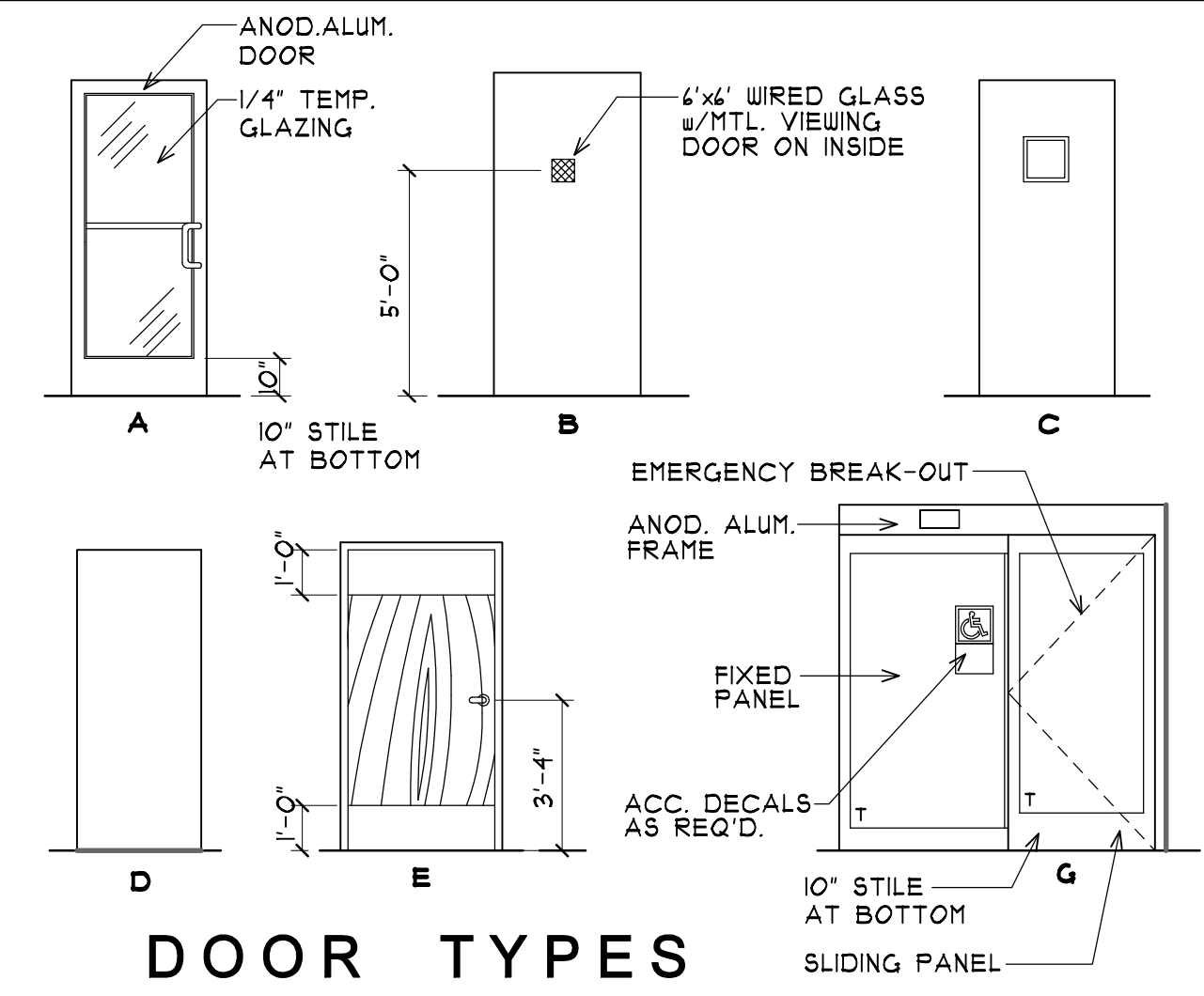
**FLOOR TILE:**  
 DAL-TILE ROCKY MOUNTAIN SERIES OR OTHER TILE MEETING THE FOLLOWING:  
 1) MUST BE APPROVED BY MCDONALD'S U.S. RESTAURANT DESIGN & CONSTRUCTION DEPARTMENT  
 2) MUST BE NO LARGER THAN 12"X12"  
 3) MUST MEET THE FOLLOWING STATIC COEFFICIENT OF FRICTION (PER ASTM F1171-05):  
 LEVEL SURFACES: MINIMUM 0.50 DRY AND WET

**WHEN BUILDING TYPE IS A NON-COMBUSTIBLE CATEGORY, ALL PLYWOOD SHALL BE FIRE RETARDANT TREATED**

**4. A. FRP OVER CEMENT BD BEHIND 3-COMP SINK TO HGT OF BACKSPASH**  
 B. FRP OVER EXT GRADE PWD (NOTE 5) AT MOP SINK  
 OPTIONAL: ADD STAINLESS STEEL SHEET

**DOOR SCHEDULE**

MARK	DOOR MATERIAL	SIZE	FRAME	TYPE	MATL.	SIZE
1	ALUM.	3'-0"x7'-0" x 3/4"	A	ALUM.	(NOTE 4)	
2	ALUM.	3'-0"x7'-0" x 3/4"	A	ALUM.	(NOTE 4)	
3	H.M.	4'-0"x7'-0" x 3/4"	B	H.M.	2"JAMB 4"HD	
3A	H.M.	4'-0"x7'-0" x 3/4"	D	H.M.	2"JAMB 4"HD	
4					NOT USED	
5	S.C. WOOD	3'-0"x8'-8" x 3/4"	D	H.M.	2"JAMB 1 HEAD	
6	S.C. WOOD	3'-0"x8'-8" x 3/4"	E	H.M.	2"JAMB 1 HEAD	
6A	S.C. WOOD	2'-4"x8'-8" x 3/4"	E	H.M.	2"JAMB 1 HEAD	
7	S.C. WOOD	3'-0"x8'-8" x 3/4"	D	H.M.	2"JAMB 1 HEAD	
8	S.C. WOOD	2'-0"x8'-8" x 3/4"	D	H.M.	2"JAMB 1 HEAD	
9	INSULATED METAL	2'-10"x8'-4"x4"	D	N/A	N/A	
10	ALUM.	1'-0"x7'-8" x 3/4"	G	ALUM.	2"JAMB 1 HEAD	



**DOOR TYPES**

REVISIONS

NO.	DATE	BY
1		
2		
3		
4		
5		
6		
7		

**Landry ARCHITECTS**  
 300 BROADWAY, SUITE 200  
 PORTLAND, ME 04101  
 TEL: 603.896.6414 FAX: 603.894.4359

DRAWN BY: S.A. DATE ISSUED: 08/14/07  
 CHECKED BY: T.B.D. SCALE: AS NOTED  
 DATE DRAWN: 04/17/07 JOB NUMBER: M-1032

CONSULTANT:

**McDonald's**

ROOM FINISH AND DOOR SCHEDULES, NOTES

RESTAURANT LOCATION:  
 332 St. John Street  
**PORTLAND, ME**

PREPARED FOR:  
**McDonald's USA, LLC**  
 MCDONALD'S PLAZA  
 OAK BROOK, ILLINOIS  
 60651

SHEET NUMBER:  
**A-6.0**