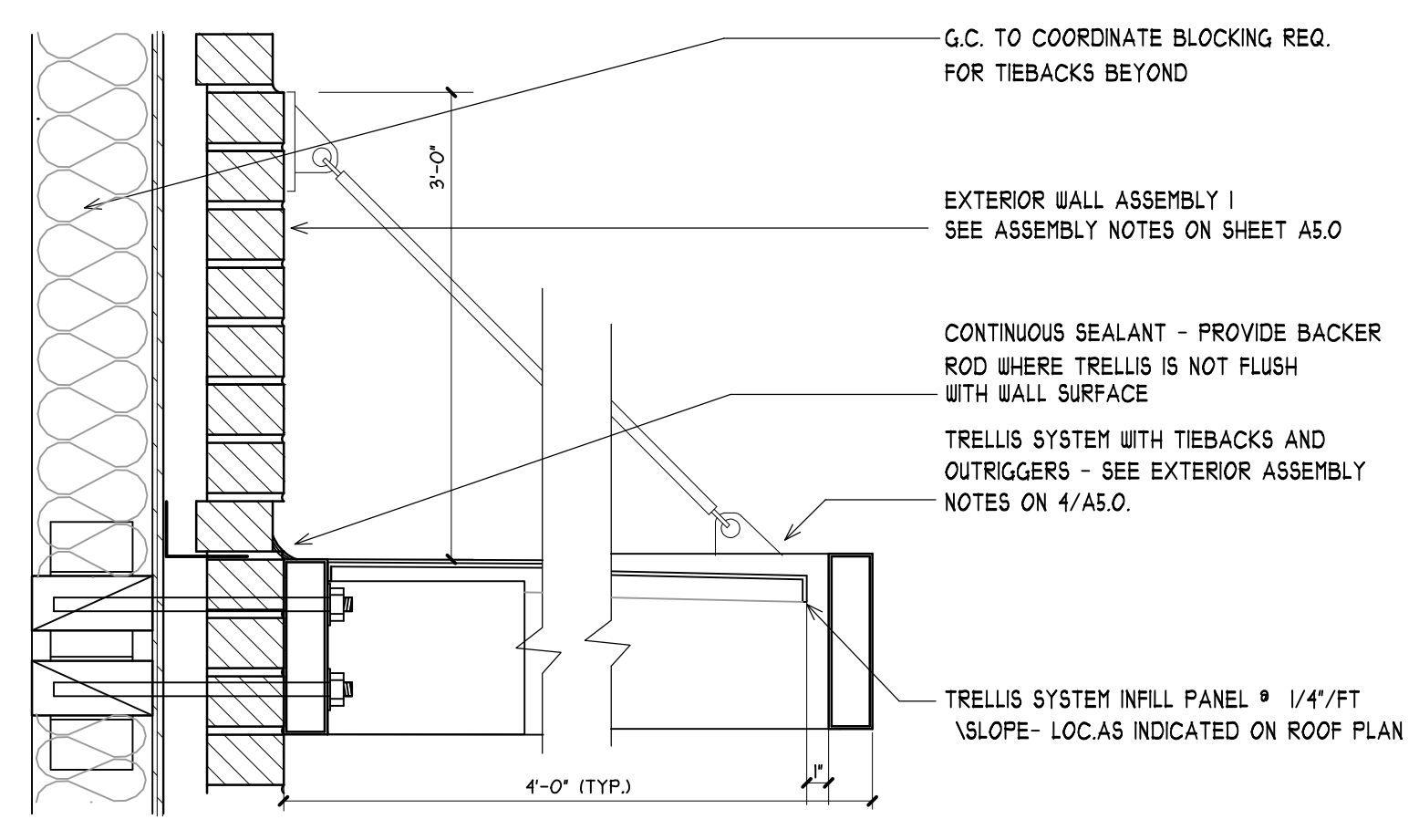
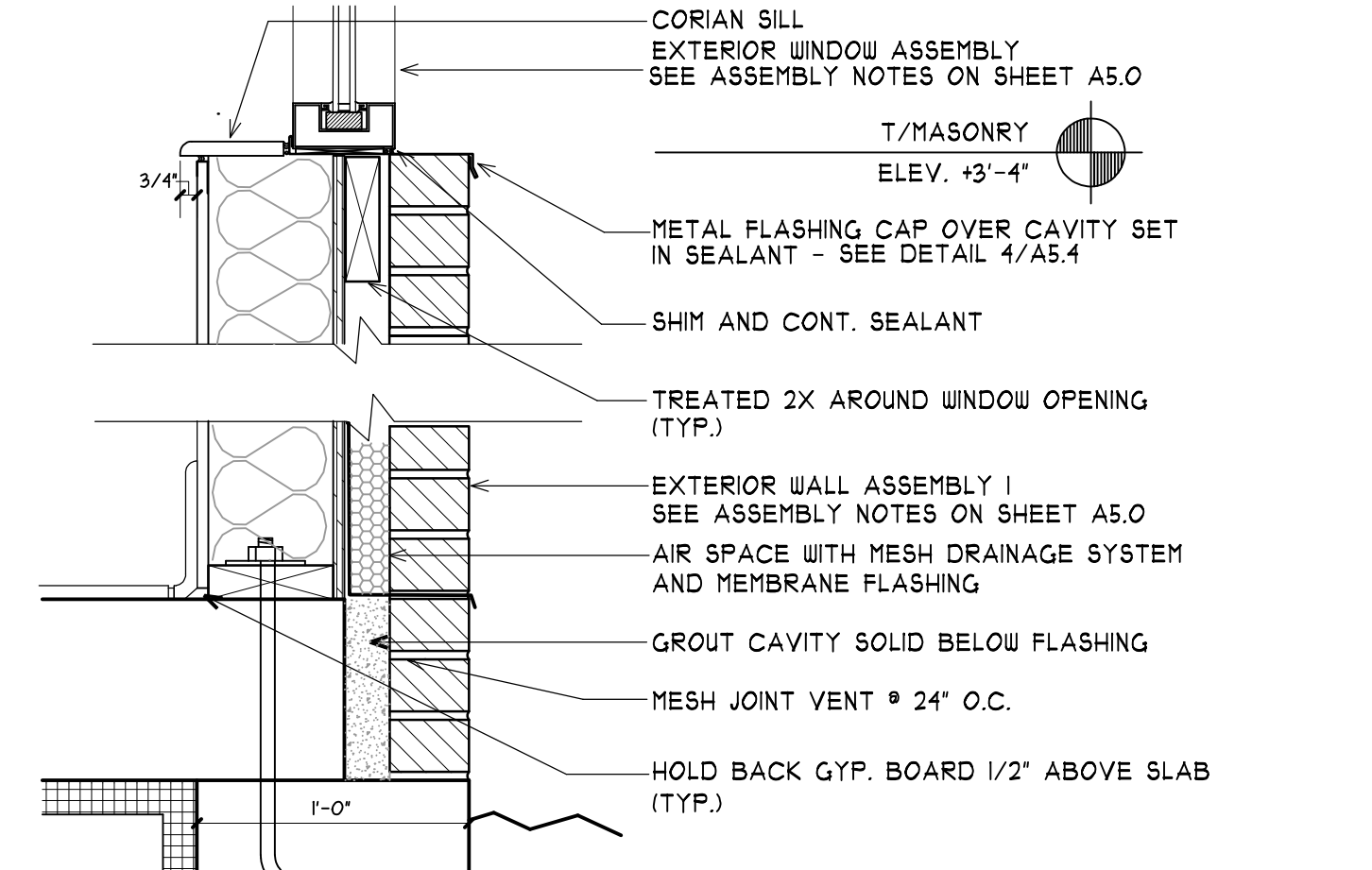


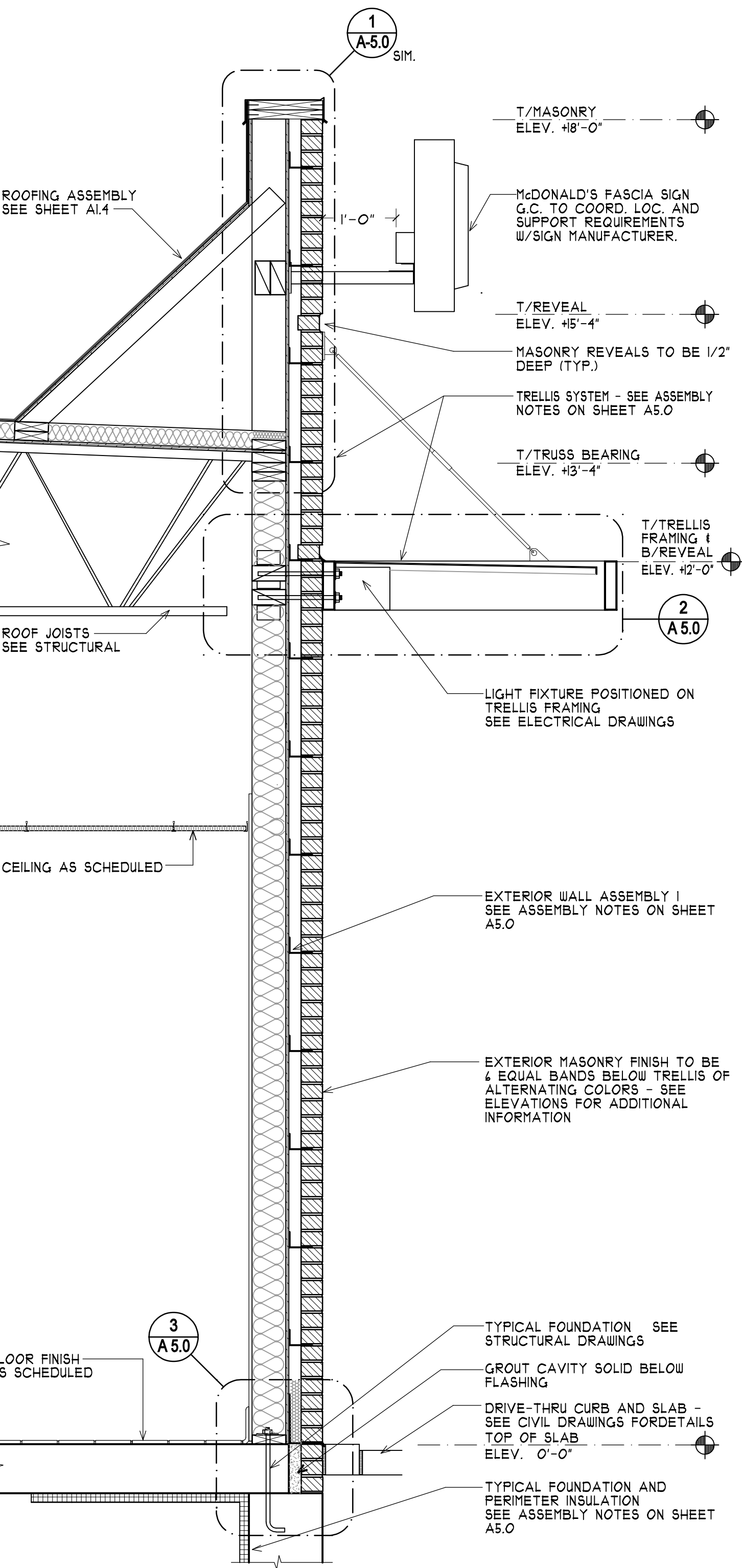
1 COPING DETAIL
A-5.0 SCALE: 1 1/2"=1'-0"



2 TRELLIS SYSTEM DETAIL
A-5.0 SCALE: 1 1/2"=1'-0"



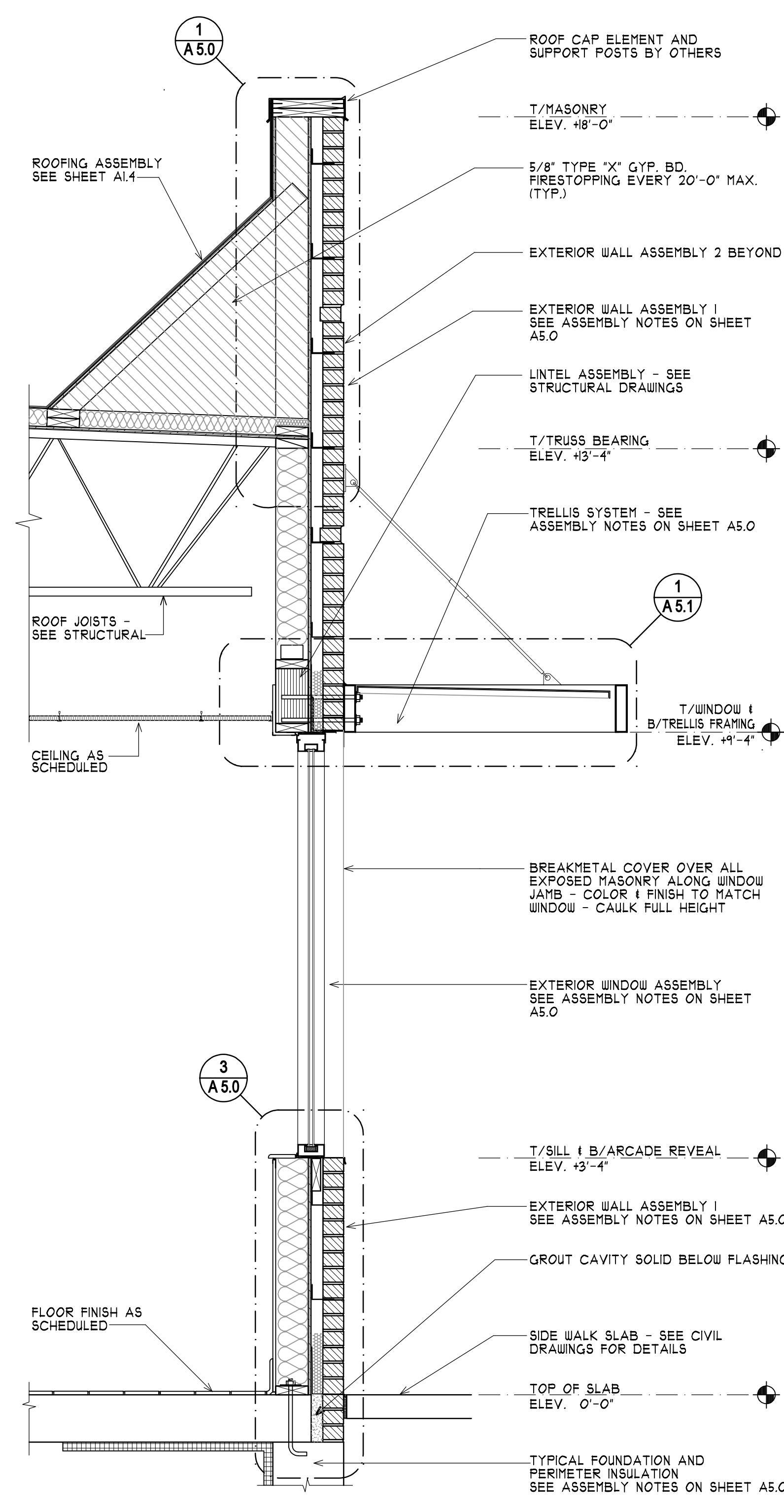
3 WALL/SILL DETAIL
A-5.0 SCALE: 1 1/2"=1'-0"



5 WALL SECTION @ KITCHEN
A-5.0 SCALE: 3/4"=1'-0"



6 NOT USED
A-5.0



7 WALL SECTION @ SIDE WINDOW
A-5.0 SCALE: 3/4"=1'-0"

EXTERIOR WALL ASSEMBLY 1
NOTE: ASSEMBLY COMES IN OVERALL WIDTHS OF 12' AND 14'. SEE FLOOR PLANS AND WALL SECTIONS FOR LOCATIONS

FROM EXTERIOR TO INTERIOR

- FULL HEIGHT 4" BRICK VENEER W/NON-CORROSIVE METAL TIES # 1/4" O.C. VERTICALLY AND 32" O.C. HORIZONTALLY. PROVIDE 10' HIGH MESH DOVETAIL CAVITY DRAINAGE SYSTEM. PROVIDE MESH WEEP VENTS 24" O.C. AT ALL FLASHING LOCATIONS.
- AIR SPACE - SIZE VARIES ACCORDING TO OVERALL WALL WIDTH. AT TYP. WALL (12'), AIR SPACE IS 1 1/8" WIDE. AT DRIVE-THRU BUMPOUT WALL (14'), AIR SPACE IS 3 1/8".
- PERMEABLE BUILDING WRAP OVER EXTERIOR GRADE PLYWOOD. INSTALL PER LOCAL CODES AND MANUFACTURERS SPECIFICATIONS.
- 2x4 WOOD STUD FRAMING # 1/4" O.C. WITH CONTINUOUS DRAFTSTOP/FIRESTOP BLOCKING AT FINISH CEILING LEVEL.
- BATT INSULATION (R VALUE = 19).
- VAPOR BARRIER, PER REGIONAL REQUIREMENTS.
- 4" CEMENT BOARD AT WALL BASE, GYPSUM BOARD ABOVE.
- SEE FINISH SCHEDULE & PARTITION SCHEDULE.

EXTERIOR WALL ASSEMBLY 2
FROM EXTERIOR TO INTERIOR

- DRAINAGE E.I.F.S. SYSTEM (NOT BARRIER) CONSISTING OF 2" INSULATION MECHANICALLY FASTENED OVER PERMEABLE MEMBRANE WITH OPEN WEAVE HIGH IMPACT FIBER REINFORCING MESH OVER EXTERIOR GRADE PLYWOOD. PROVIDE CORRUGATED PLASTIC DRAINAGE STRIP AT BOTTOM OF THE PANEL WITH PVC J CHANNELS WITH WEEP HOLES. INSTALL PER LOCAL CODES AND MANUFACTURERS SPECIFICATIONS.
- 4" 18 GAUGE METAL STUD FRAMING # 1/4" O.C. ANCHORED TO EXTERIOR WALL ASSEMBLY 1 - SEE STRUCTURAL DRAWINGS FOR ANCHORAGE DETAILS
- ALTERNATE SYSTEM: PREFAB ALUCOBOND BY IMAGEPOINT OR EQUAL

EXTERIOR WINDOW ASSEMBLY (STOREFRONT & ENTRANCE SYSTEM)

- ANODIZED ALUMINUM FRAME, THERMALLY BROKEN WITH HEAD RECEIVER CHANNEL.
- 1" INSULATED GLAZING - SEE EXT ELEVATIONS FOR LOCATION OF SAFETY GLASS.
- PROVIDE FLASHING AT HEAD & SILL - CONTINUOUS SEALANT.
- PROVIDE 2-PIECE METAL CAP # C.M.U. SILL
- CORIAN SILL AT INTERIOR

TRELLIS SYSTEM

- FACIAS: CONT. 2X8 CLEAR ANODIZED ALUM TUBE - PROVIDE CLOSURE PIECE WHERE TUBE ENDS ARE EXPOSED
- OUTRIGGERS: CLEAR ANODIZED 2X8 ALUM TUBE
- TIEBACKS: ANODIZED ALUM THREADED RODS - LOCATIONS AS INDICATED ON ROOF PLAN
- WHERE INDICATED ON ROOF PLAN, PROVIDE ANODIZED ALUM PANEL INFL # 1/4" FT SLOPE SUPPORTED AT EDGES BY CONTINUOUS ALUM. ANGLES
- SYSTEM SHALL ALLOW FOR MOVEMENT AT CONTROL JOINTS AND FOR MOVEMENT OF EXTERIOR WALL SYSTEM ON WHICH THE TRELLIS IS MOUNTED.
- STRUCTURAL ATTACHMENTS & LOAD CALCULATIONS TO BE FURNISHED BY TRELLIS SYSTEM SUPPLIER TO THE McDONALD'S PROJECT MANAGER AND TO McDONALD'S US RESTAURANT DESIGN & CONSTRUCTION DEPARTMENT.
- TRELLIS SYSTEM MAY BE SELECTED FROM ONE OF THE SUPPLIERS LISTED BELOW. EQUIVALENT SYSTEMS FROM OTHER SUPPLIERS SHALL BE SUBMITTED TO McDONALD'S US RESTAURANT DESIGN & CONSTRUCTION FOR REVIEW AND APPROVAL.

AGS, Inc.
Architectural Grilles & Sunshades
981 W. 190th Street, Suite G
Mokena, IL 60448
www.agsinc.org

Greenheck
PO Box 410
Schofield, WI 54476
www.greenheck.com

Construction Specialties, Inc.
Cranford, NJ
www.c-sgr.com

FOUNDATION AND PERIMETER INSULATION:

- SEE STRUCTURAL DRAWINGS FOR FOUNDATION AND SLAB DETAILS
- PROVIDE R-10 RIGID INSULATION VERTICAL EXTENDING TO TOP OF FOOTING AND 3'-0" HORIZONTALLY UNDER THE SLAB

4 EXTERIOR WALL SYSTEMS
A-5.0 SCALE: NO SCALE

| NO. | DATE | BY |
|-----|------|----|
| 1 | | |
| 2 | | |
| 3 | | |
| 4 | | |
| 5 | | |
| 6 | | |
| 7 | | |

Landry ARCHITECTS
3000 W. 10th Street
Portland, ME 04108
P: 603.890.6414 F: 603.894.4359

CONSULTANT:

DRAWN BY: S.A. DATE ISSUED: 08/14/07
CHECKED BY: T.B.D. SCALE: AS NOTED
DATE DRAWN: 04/17/07 JOB NUMBER: M-1032

WALL SECTIONS AND DETAILS

McDonald's

RESTAURANT LOCATION:
**332 St. John Street
PORTLAND, ME**

PREPARED FOR:
McDonald's USA, LLC
McDONALD'S PLAZA
OAK BROOK, ILLINOIS
60521

SHEET NUMBER:
A-5.0

PLOT DATE & TIME: 8/16/2007 9:45 AM
FILE PATH & NAME: F:\DATA\PROJECTS\MCDONALD'S\M-1000S\M-1032_PORTLAND_ME\ARCHITECTURAL-DRAWINGS\M-1032_A5-0_SECTIONS