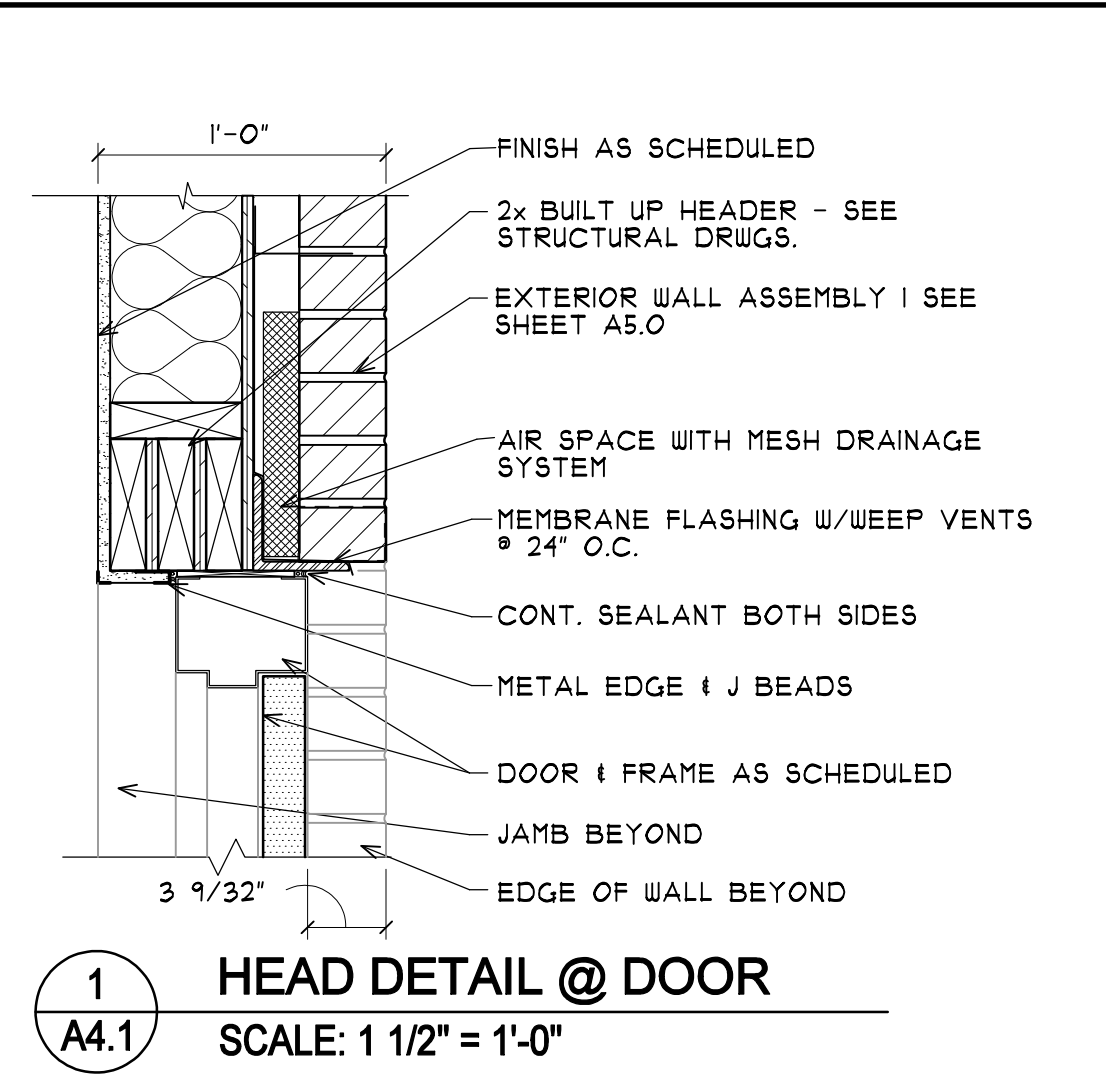
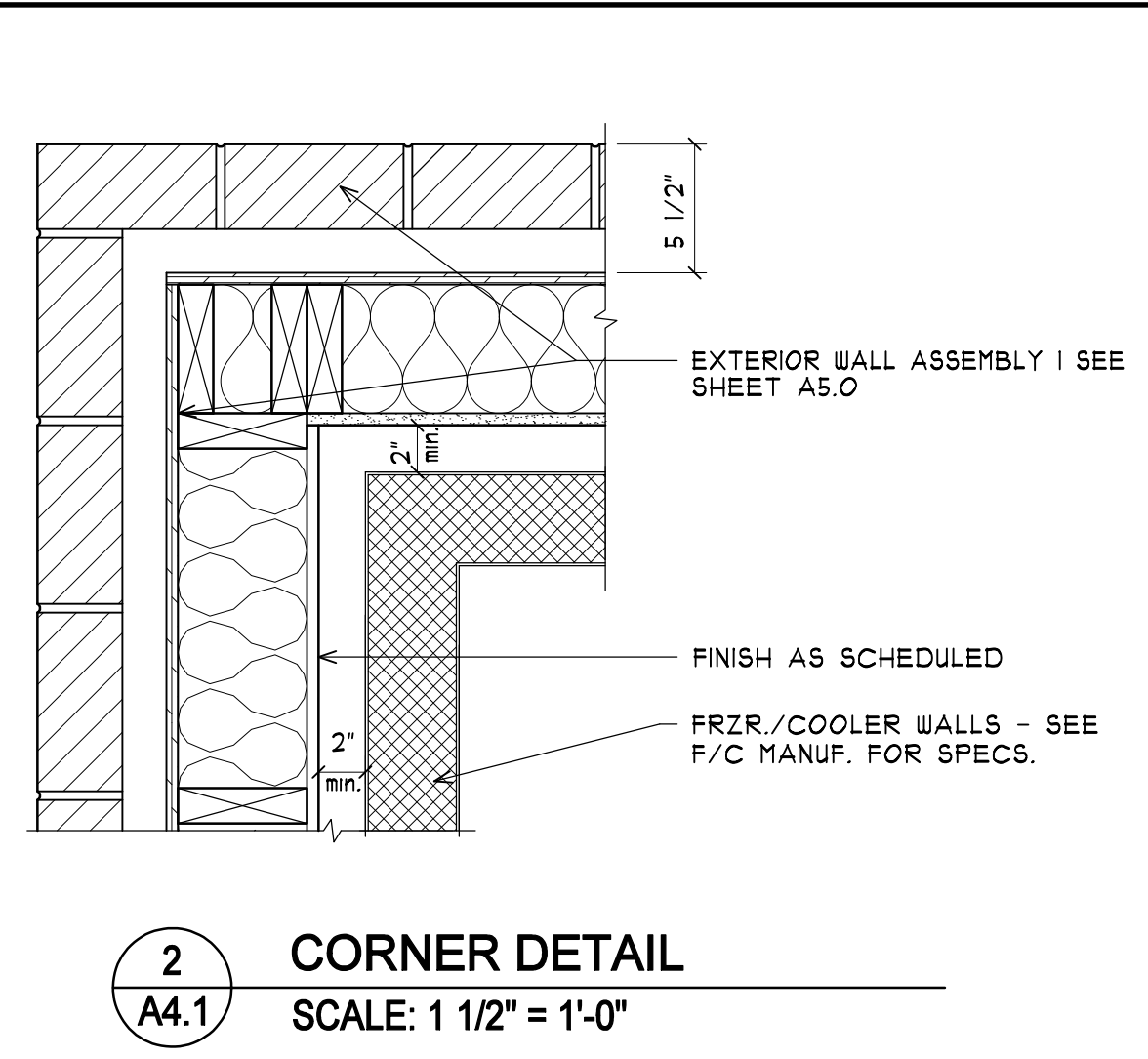


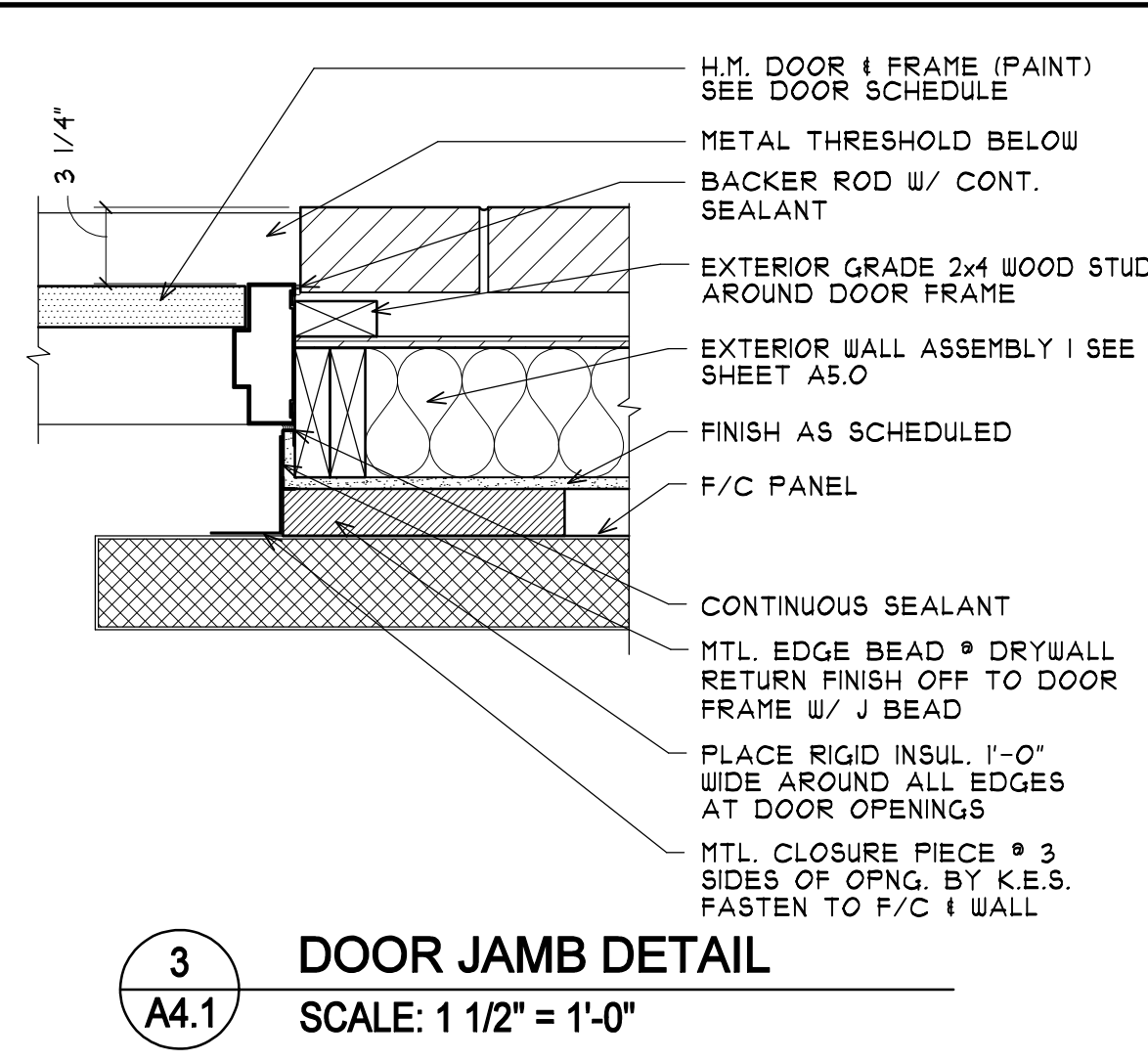
PLOT DATE & TIME: 8/16/2007 9:43 AM
 FILE PATH & NAME: F:\DATA\PROJECTS\MCDONALD'S\M-1000S\M-1032 PORTLAND, ME ARCHITECTURAL-DRAWINGS\M-1032_A4-1_PLAN-DETAILS



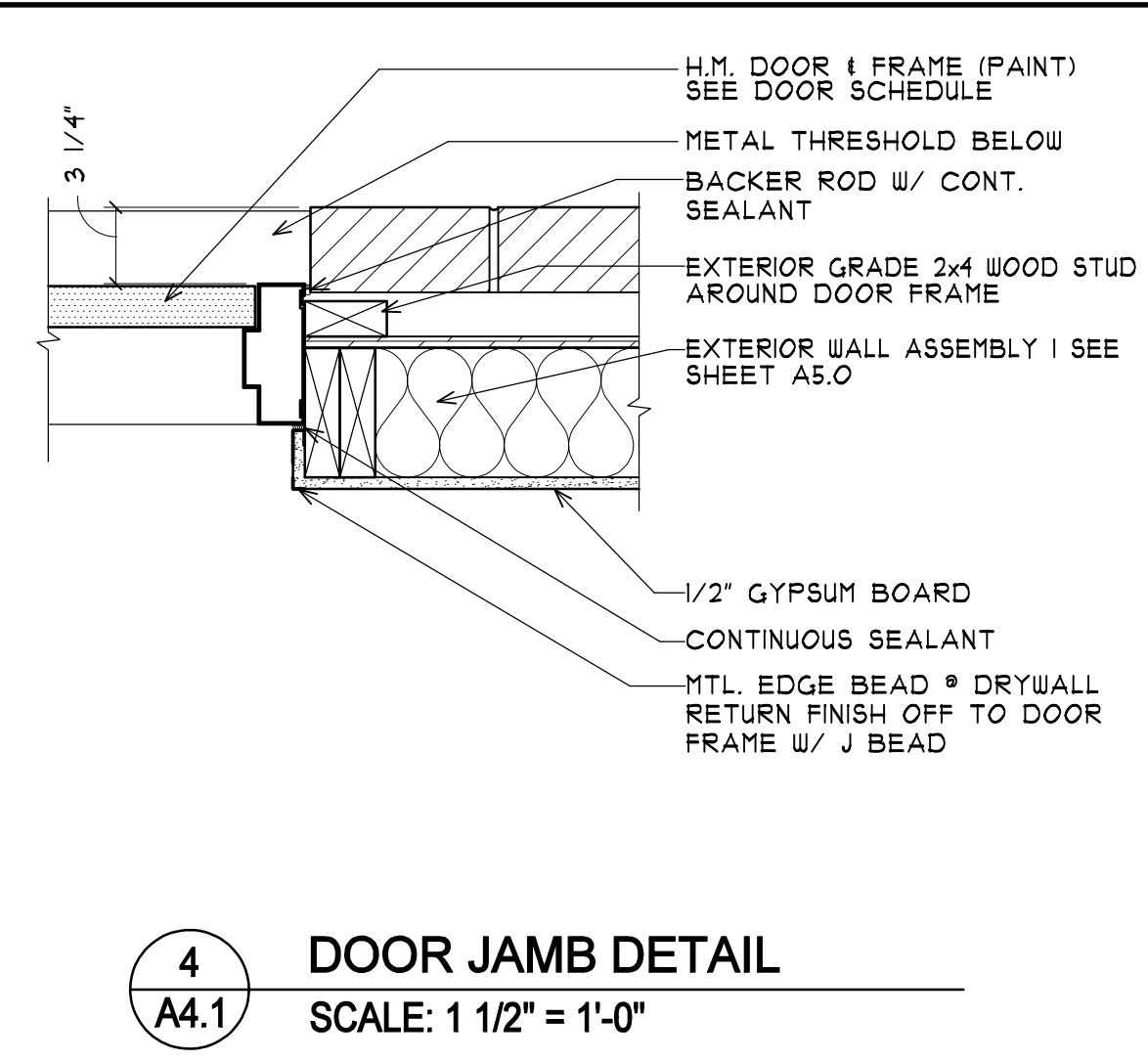
1
A4.1 HEAD DETAIL @ DOOR
SCALE: 1 1/2" = 1'-0"



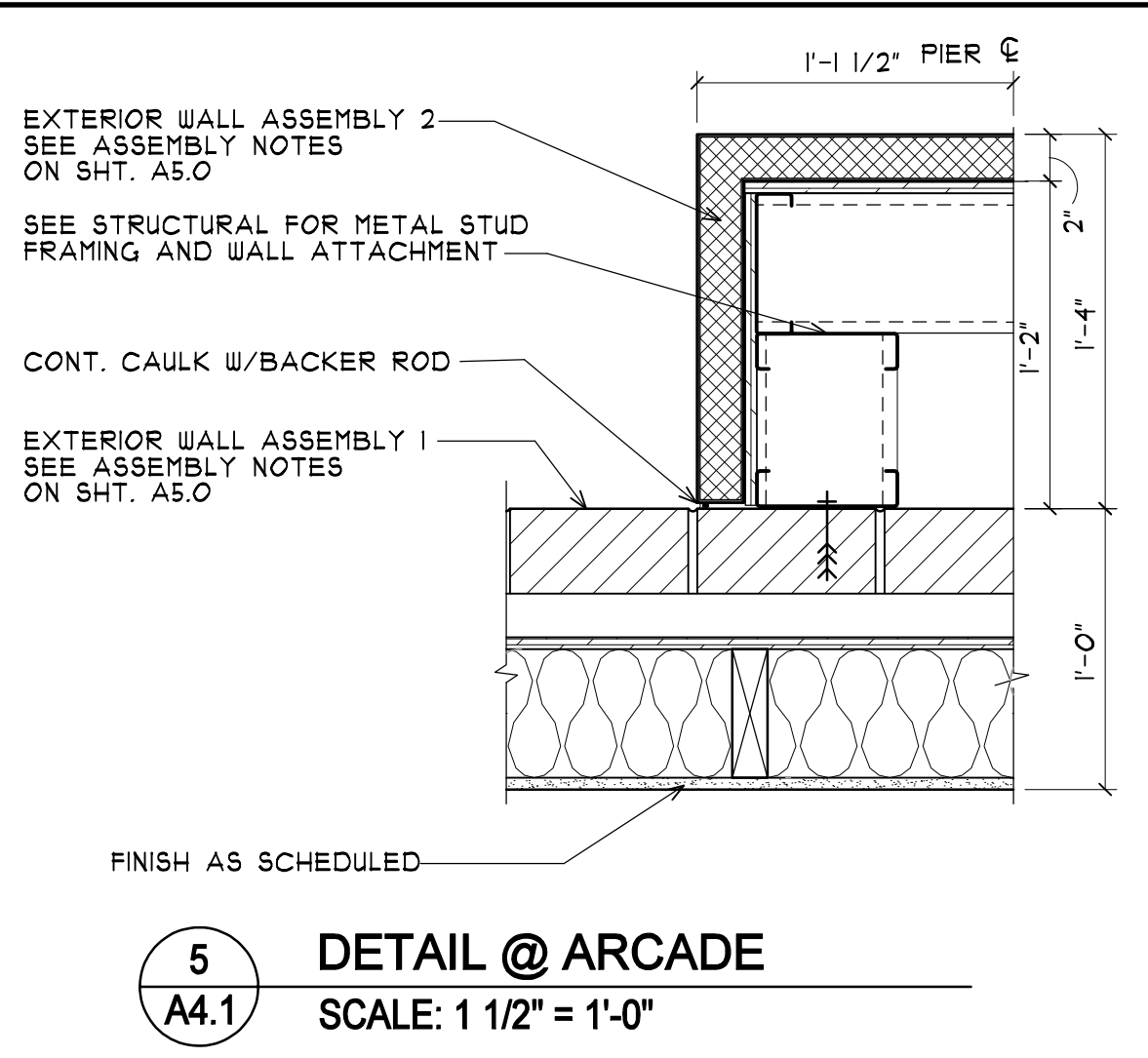
2
A4.1 CORNER DETAIL
SCALE: 1 1/2" = 1'-0"



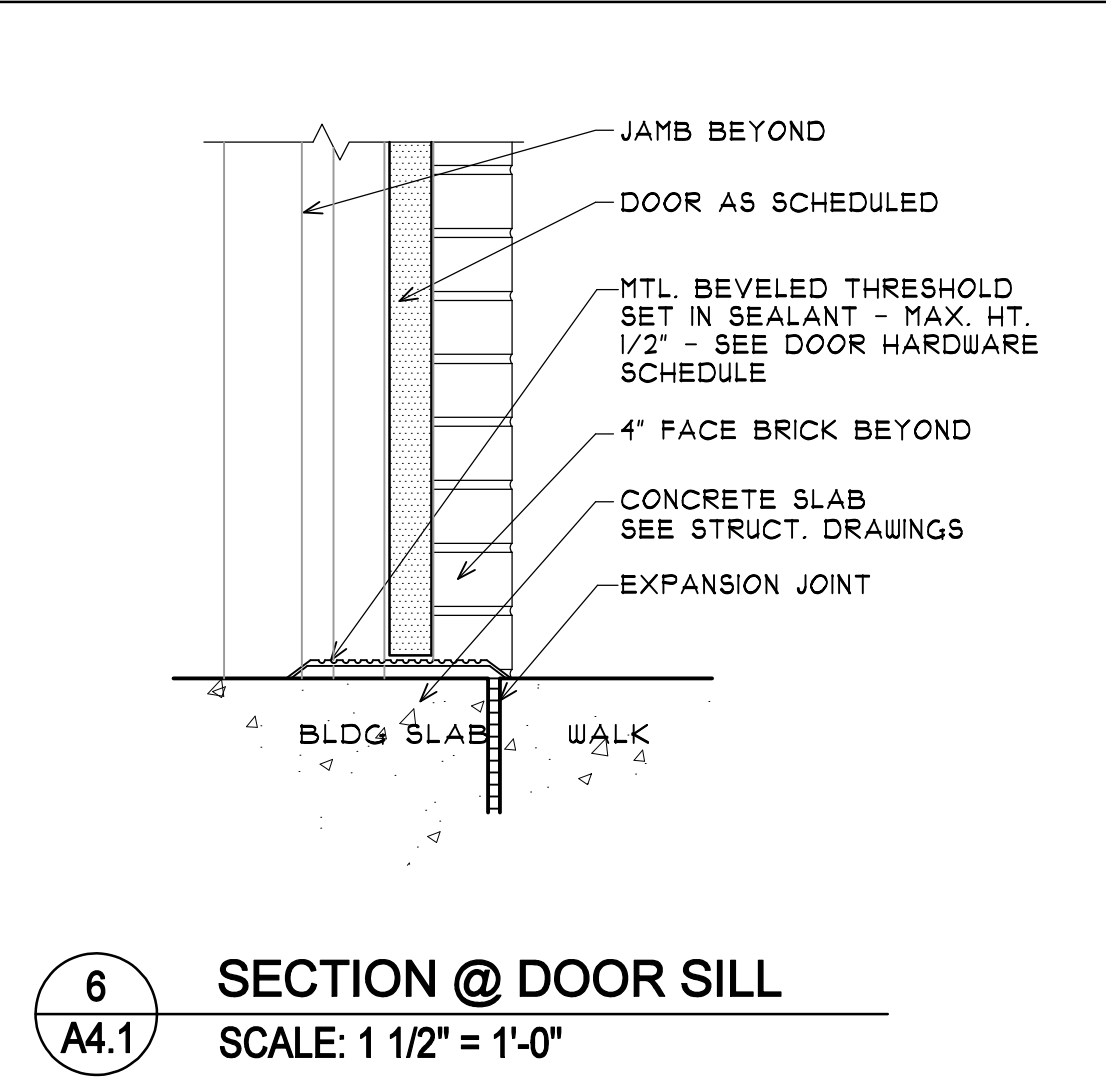
3
A4.1 DOOR JAMB DETAIL
SCALE: 1 1/2" = 1'-0"



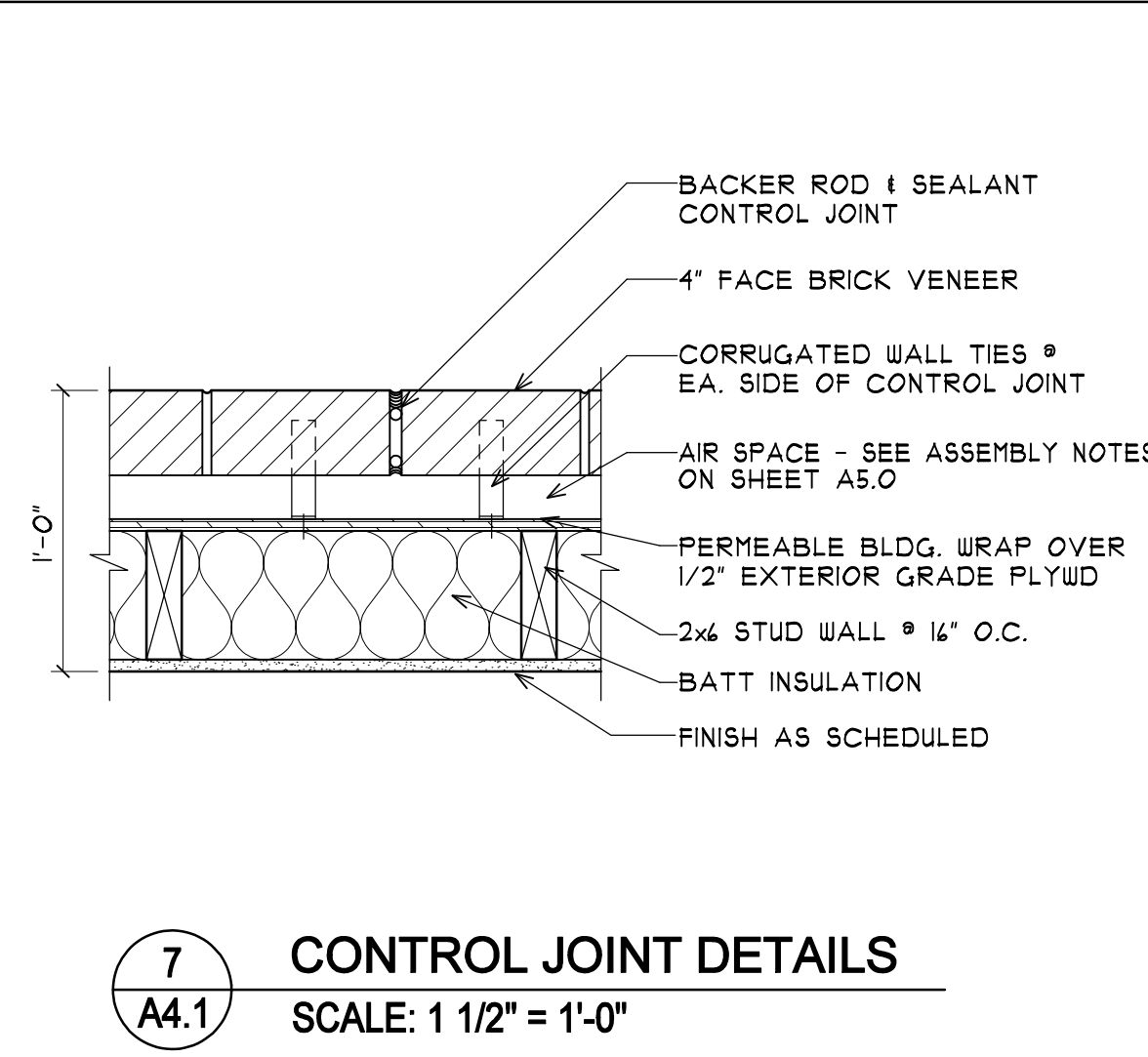
4
A4.1 DOOR JAMB DETAIL
SCALE: 1 1/2" = 1'-0"



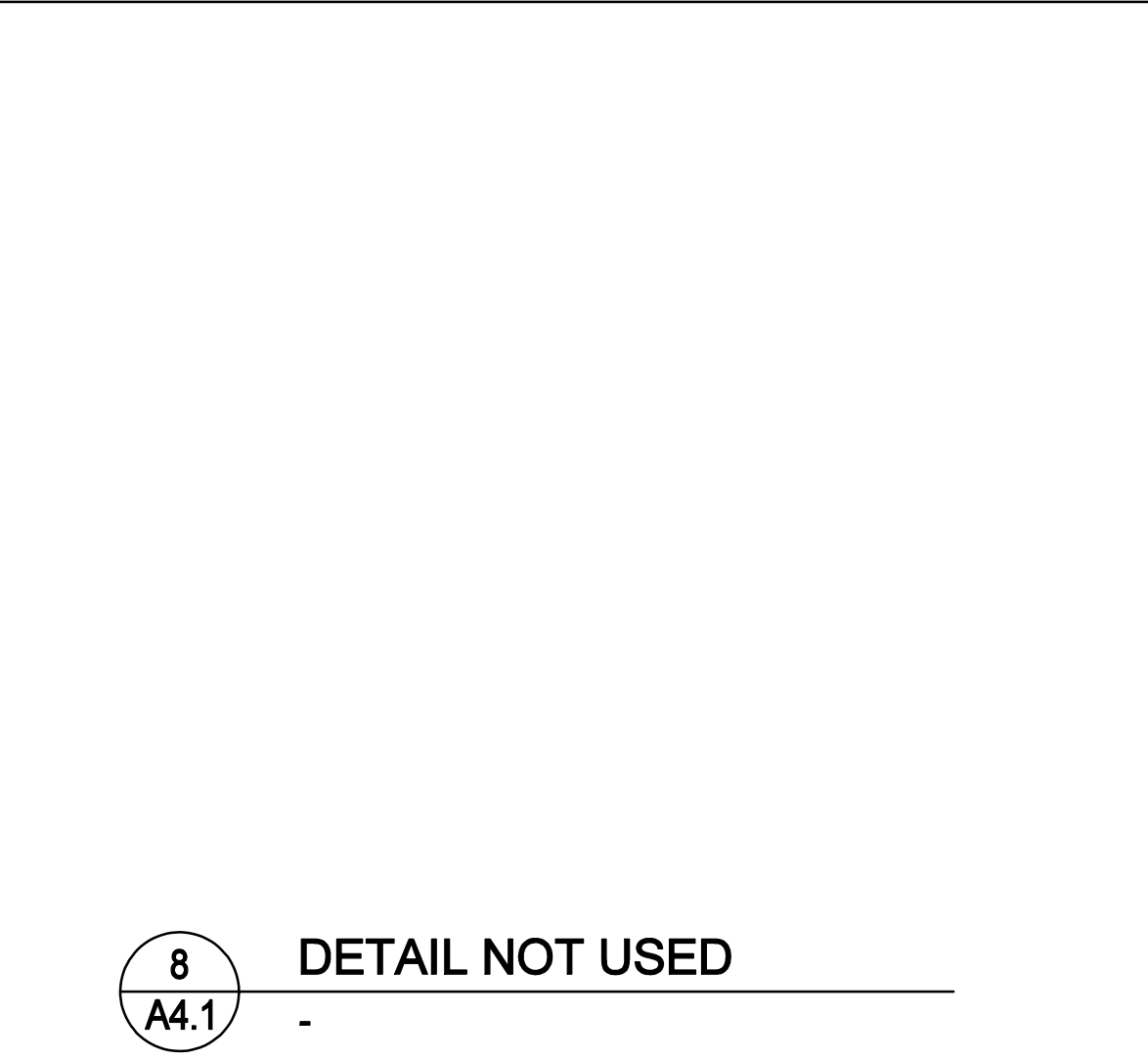
5
A4.1 DETAIL @ ARCADE
SCALE: 1 1/2" = 1'-0"



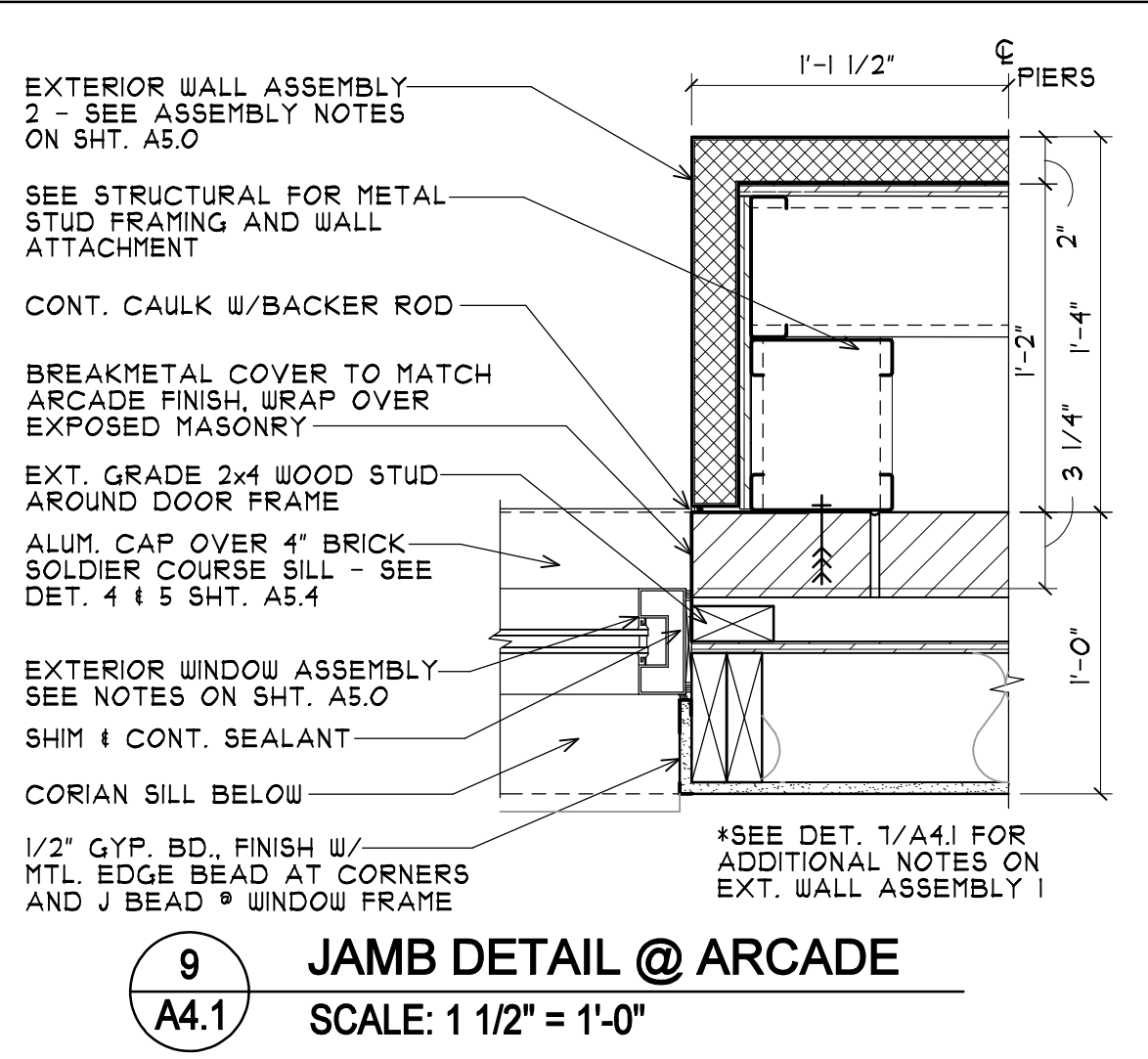
6
A4.1 SECTION @ DOOR SILL
SCALE: 1 1/2" = 1'-0"



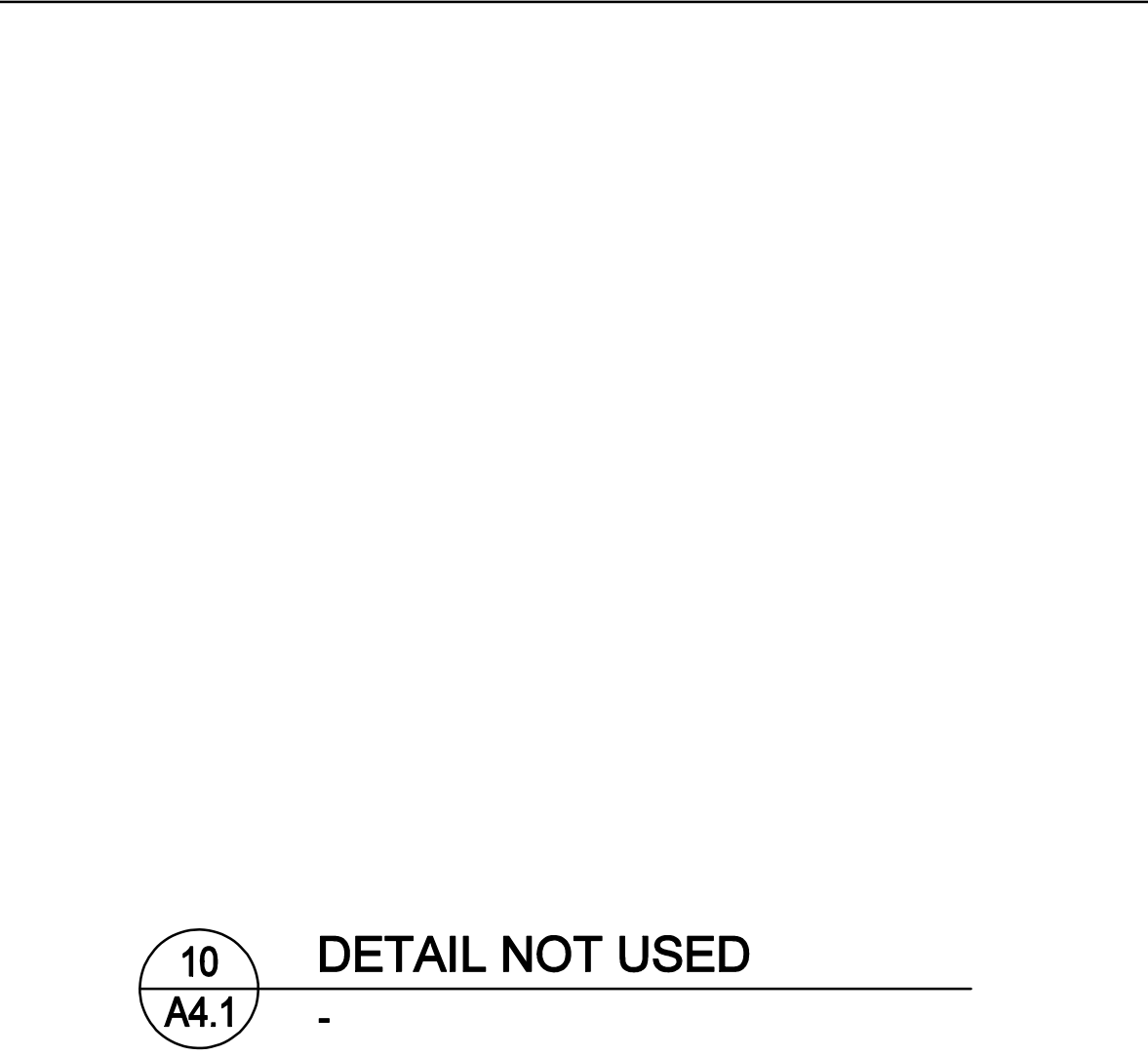
7
A4.1 CONTROL JOINT DETAILS
SCALE: 1 1/2" = 1'-0"



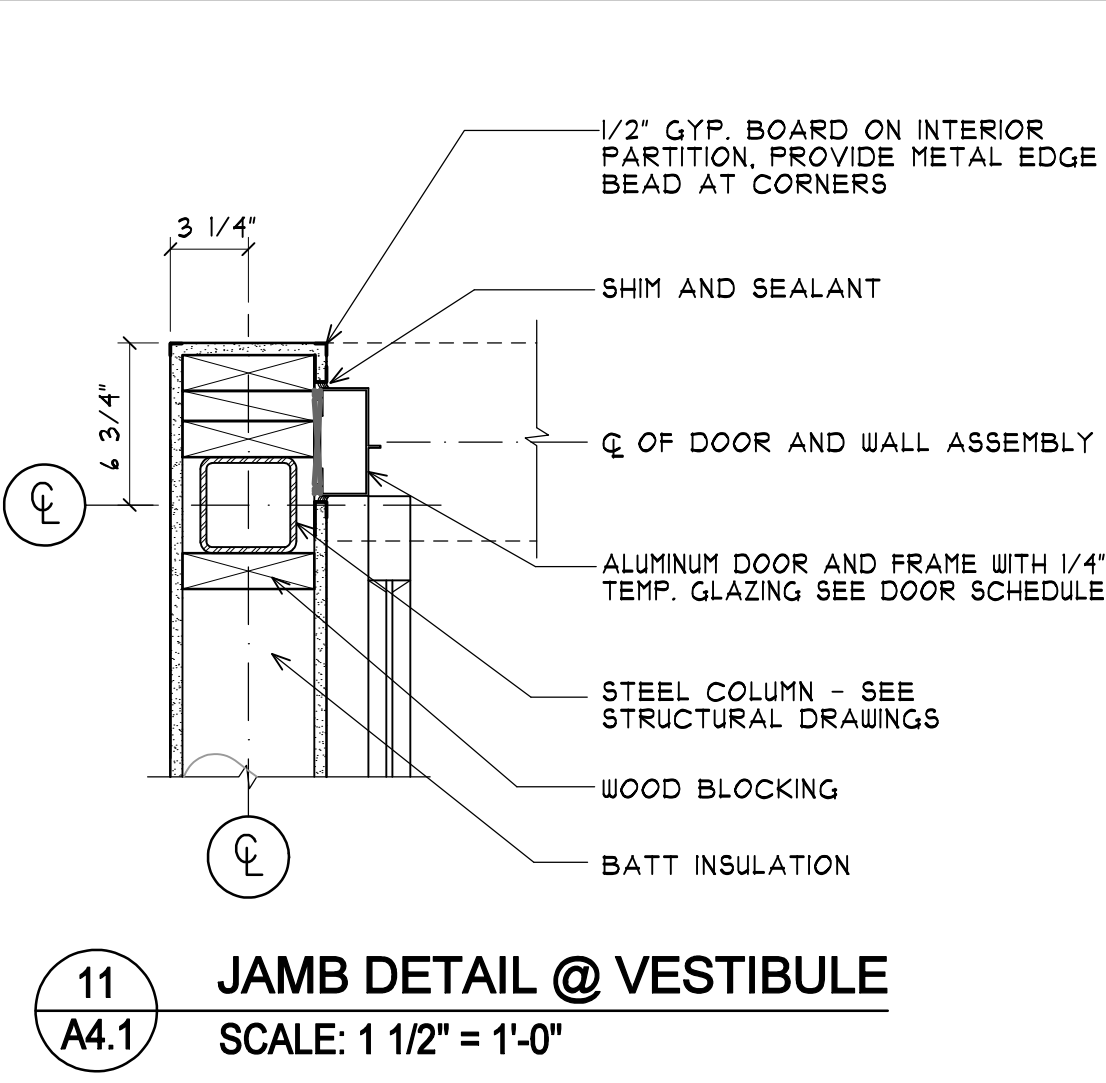
8
A4.1 DETAIL NOT USED



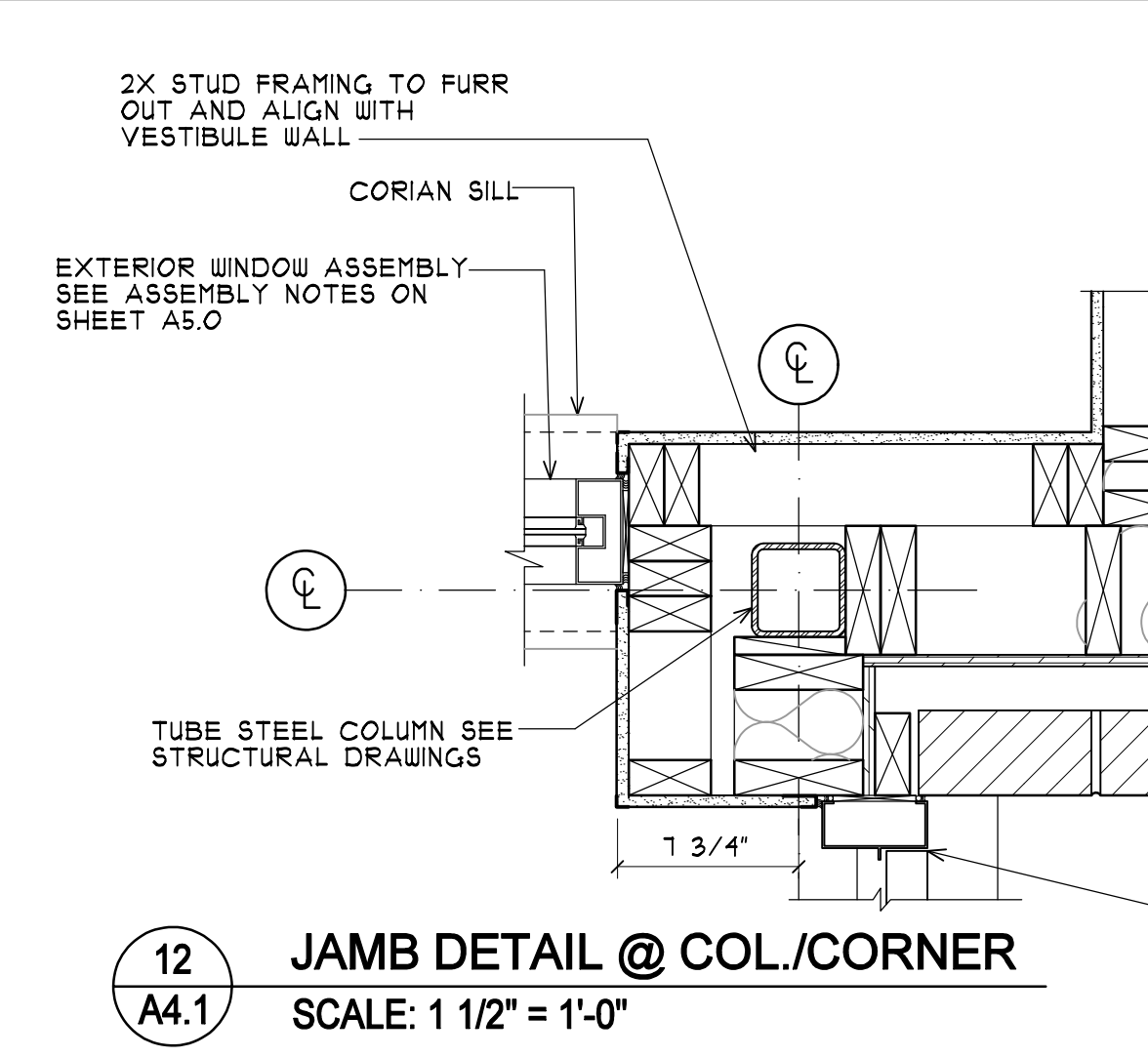
9
A4.1 JAMB DETAIL @ ARCADE
SCALE: 1 1/2" = 1'-0"



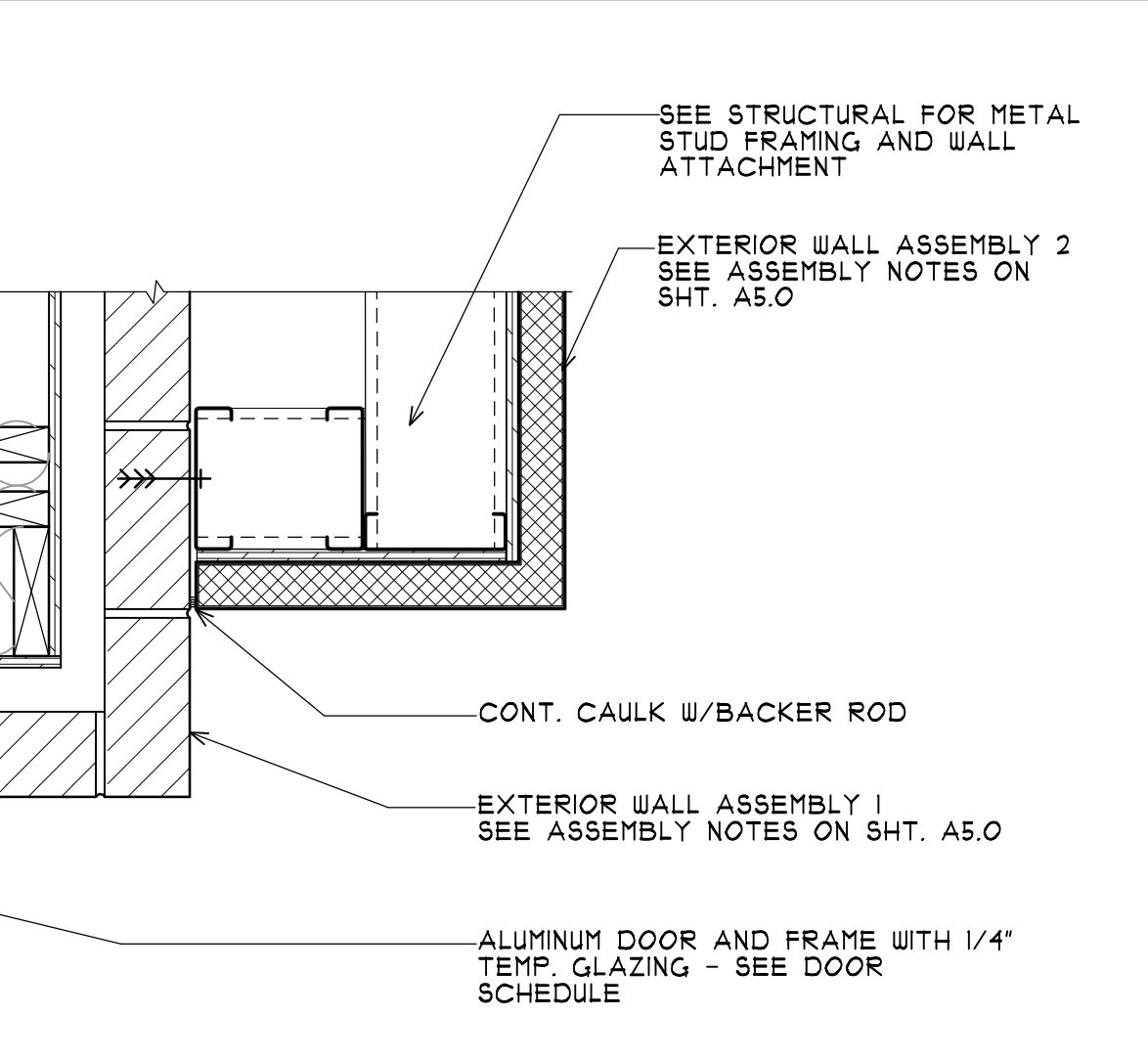
10
A4.1 DETAIL NOT USED



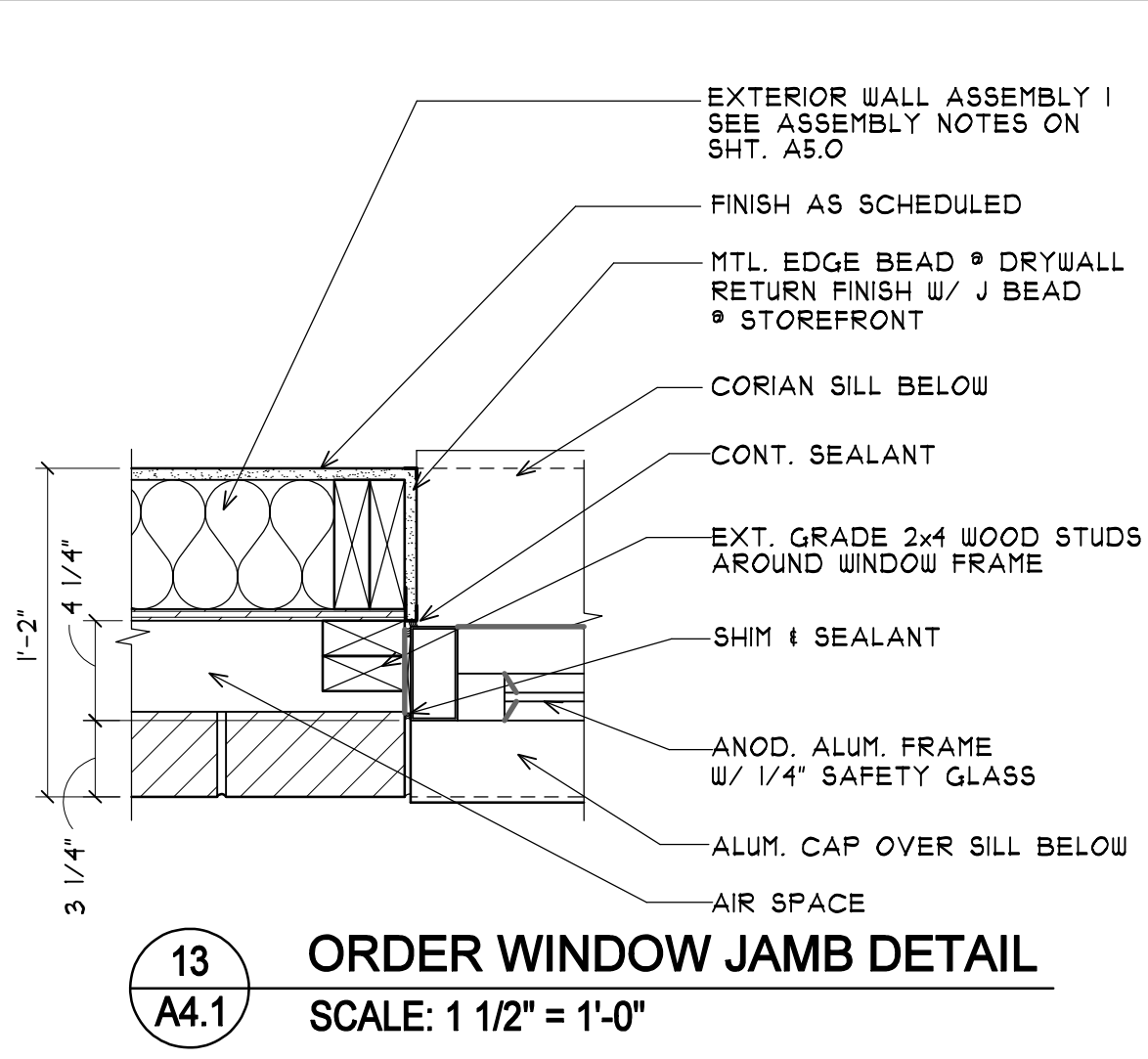
11
A4.1 JAMB DETAIL @ VESTIBULE
SCALE: 1 1/2" = 1'-0"



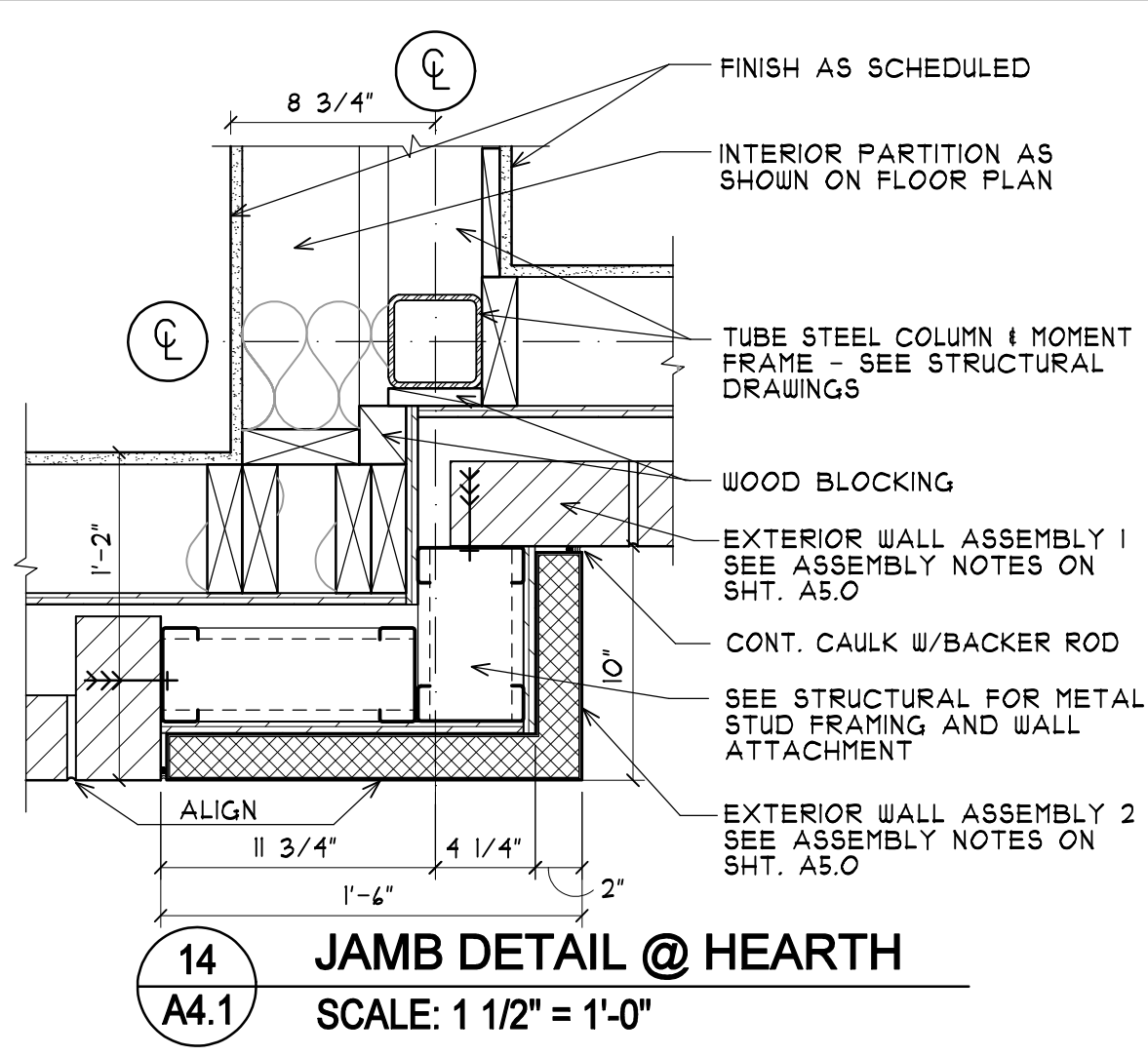
12
A4.1 JAMB DETAIL @ COL./CORNER
SCALE: 1 1/2" = 1'-0"



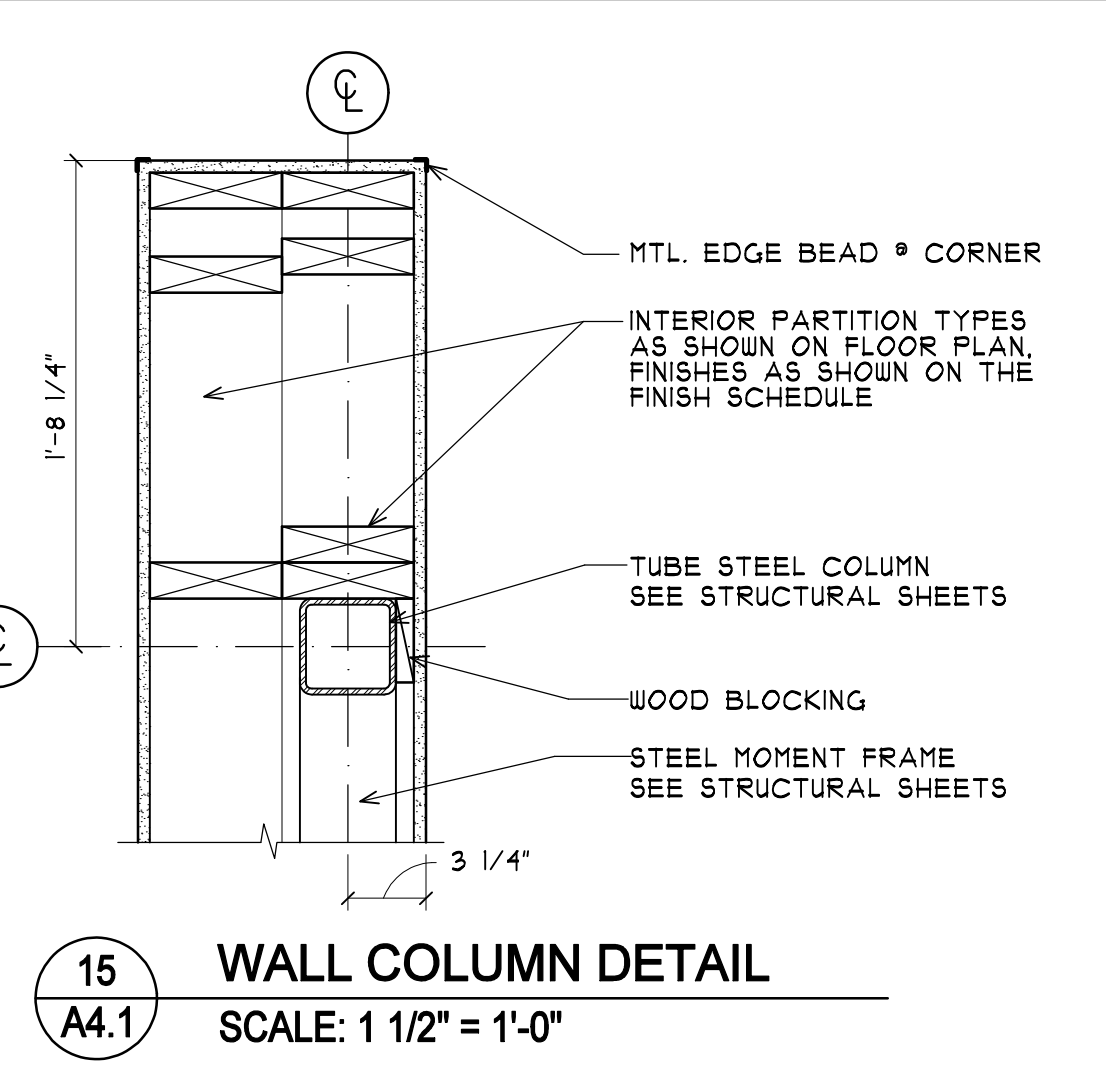
13
A4.1 ORDER WINDOW JAMB DETAIL
SCALE: 1 1/2" = 1'-0"



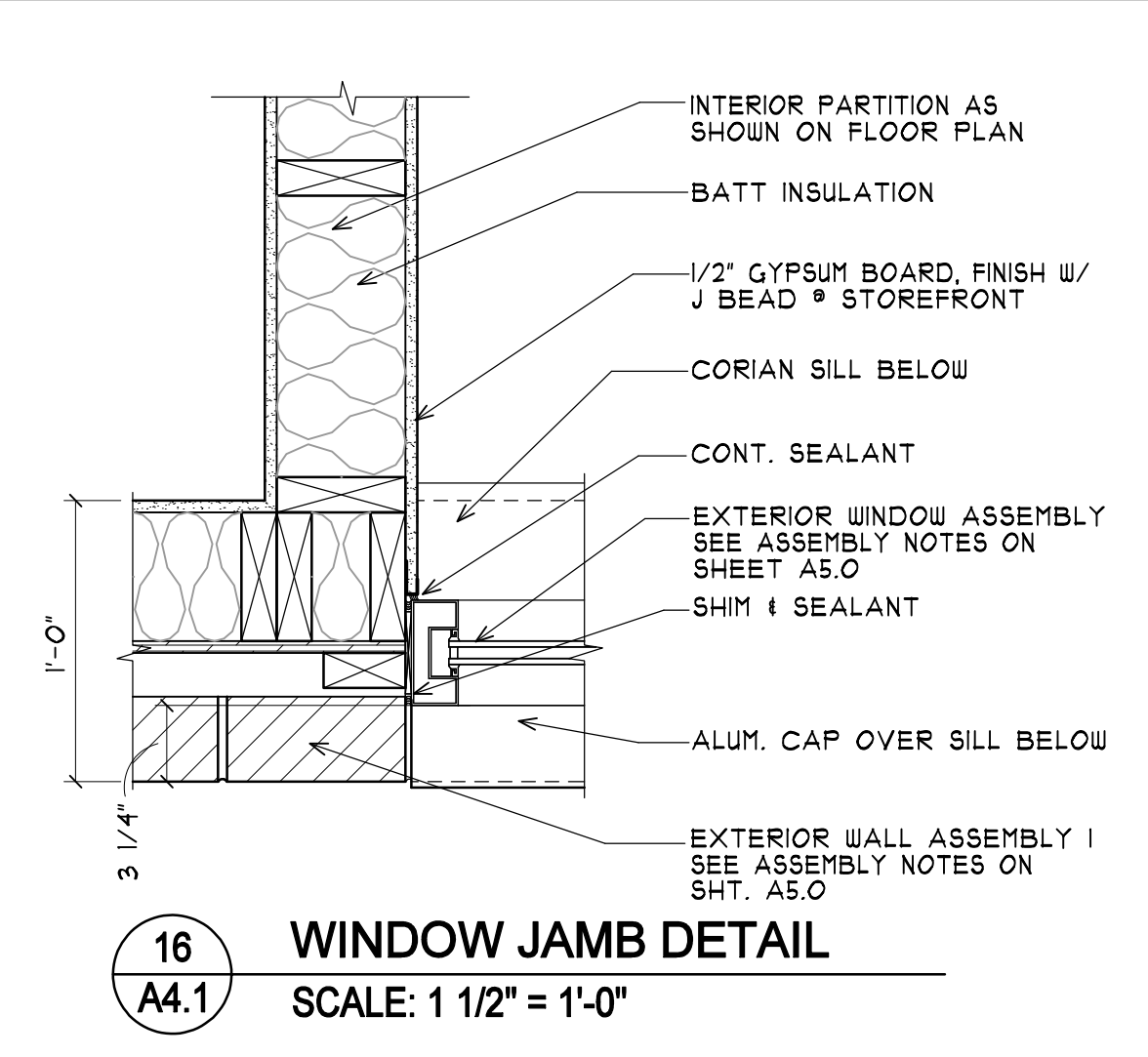
14
A4.1 JAMB DETAIL @ HEARTH
SCALE: 1 1/2" = 1'-0"



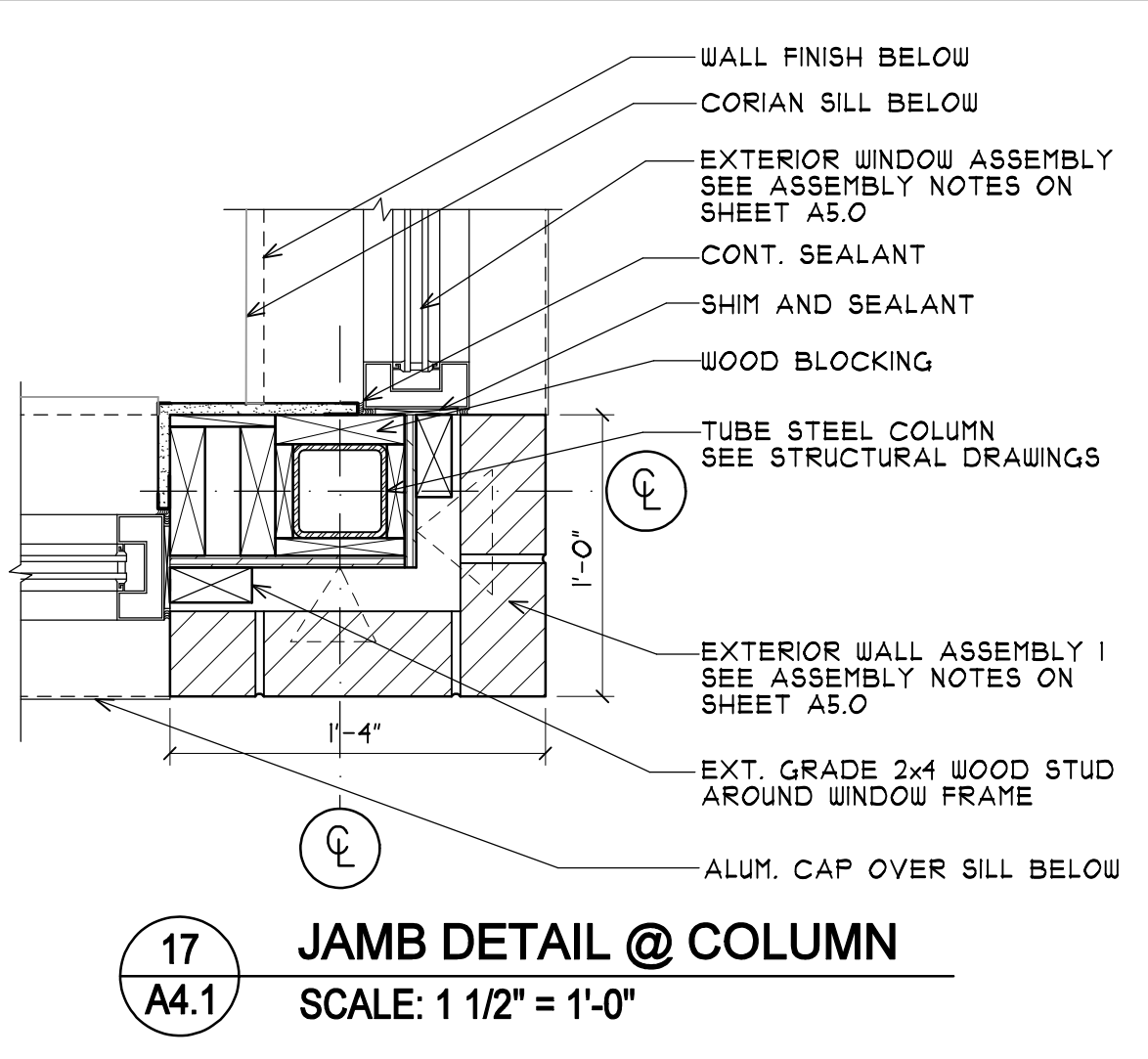
15
A4.1 WALL COLUMN DETAIL
SCALE: 1 1/2" = 1'-0"



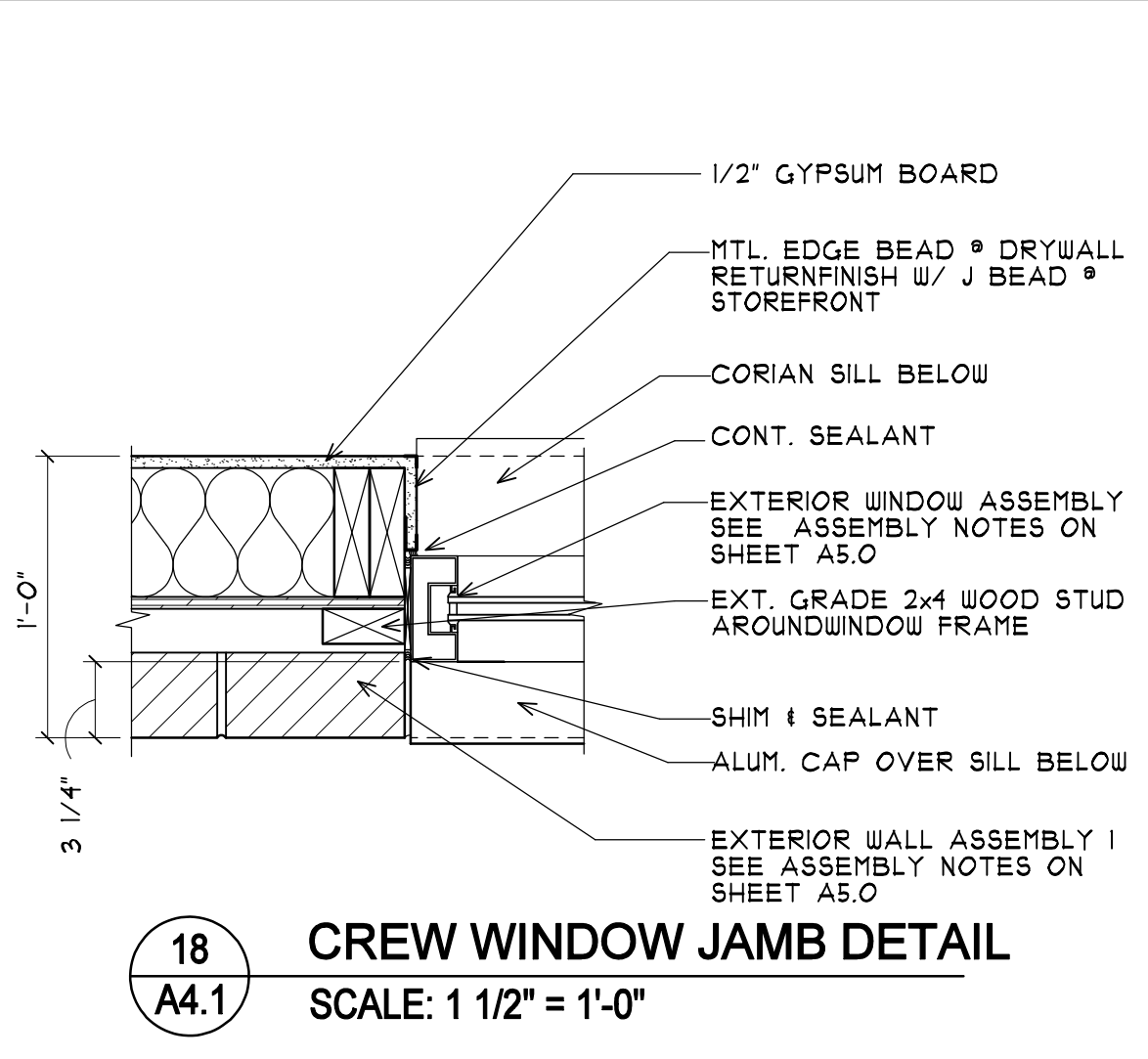
16
A4.1 WINDOW JAMB DETAIL
SCALE: 1 1/2" = 1'-0"



17
A4.1 JAMB DETAIL @ COLUMN
SCALE: 1 1/2" = 1'-0"



18
A4.1 CREW WINDOW JAMB DETAIL
SCALE: 1 1/2" = 1'-0"



19
A4.1 DETAIL @ FREEZER
SCALE: 1 1/2" = 1'-0"

REVISIONS		NO.	DATE	BY
		1		
		2		
		3		
		4		
		5		
		6		
		7		

Landry ARCHITECTS
 300 BROAD ST. 4TH FL.
 PORTLAND, ME 04101
 TEL: 603.850.6414 FAX: 603.854.4359
 WWW.LANDRYARCHITECTS.COM

DRAWN BY: S.A.
 CHECKED BY: T.B.D.
 DATE ISSUED: 08/14/07
 SCALE: AS NOTED
 JOB NUMBER: M-1032
 DATE DRAWN: 04/17/07

CONSULTANT:

PLAN DETAILS

McDonald's

RESTAURANT LOCATION:
 332 St. John Street
PORTLAND, ME

PREPARED FOR:
McDonald's USA, LLC
 McDONALD'S PLAZA
 OAK BROOK, ILLINOIS 60521

SHEET NUMBER:
A-4.1