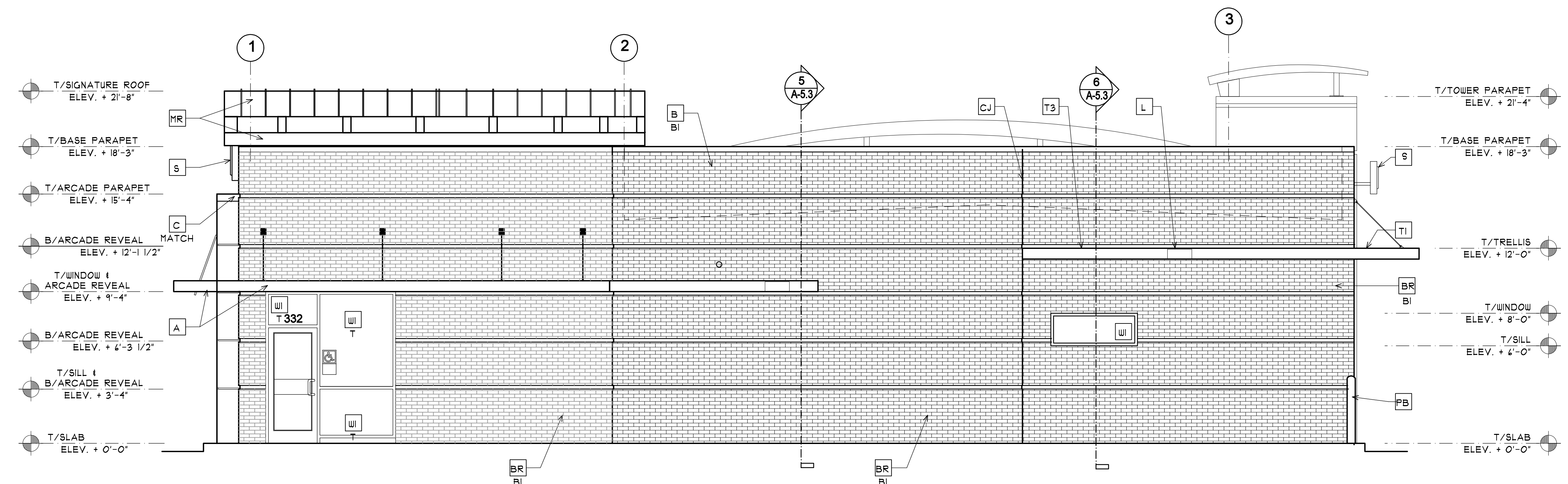
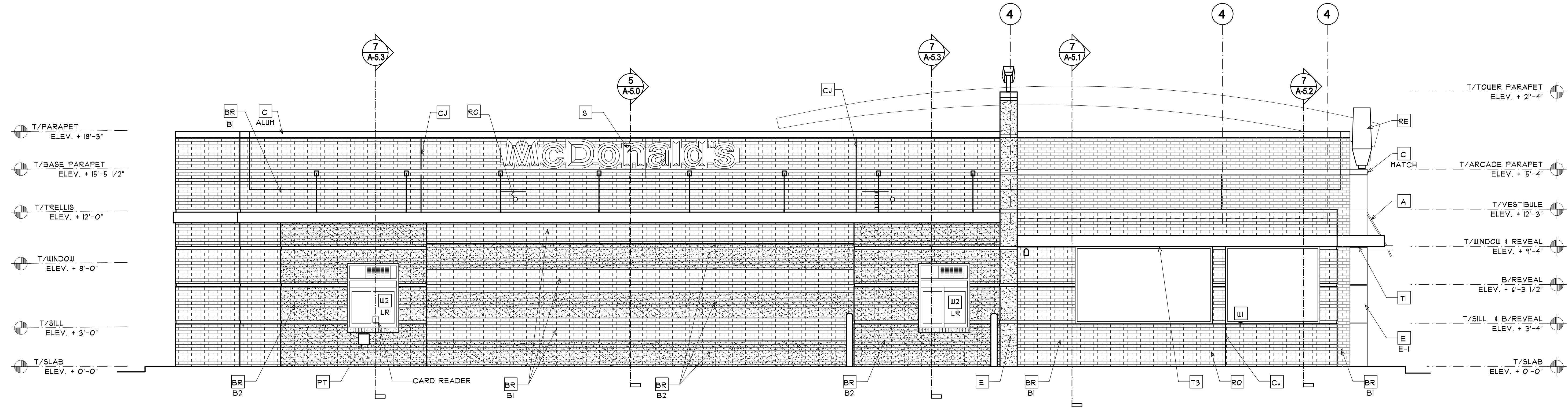


9:39 AM 8/16/2007 F:\DATA\PROJECTS\MCDONALDS\M-10005\M-1032 PORTLAND, ME ARCHITECTURAL-DRAWINGS\M-1032_A2-1 ELEVATIONS



1 REAR ELEVATION
 SCALE: 1/4"=1'-0"



2 LEFT ELEVATION
 SCALE: 1/4"=1'-0"

KEY NOTES:

- | | | | | |
|--|--|--|---|---|
| <p>A METAL AWNING - UNDER SEPARATE PERMIT. COLOR TO BE ALTERNATING STRIPES TO MATCH PANTONE 123C AND 104C.</p> <p>AP ALUMINUM PANELS</p> <p>BR FACEBRICK</p> <p>BI COLOR:
 B1 = "RUBIGO RED VELOUR" BY BELDEN OR EQUAL
 B2 = "MODULAR MIDLAND BLEND A" BY BELDEN OR EQUAL</p> <p>C METAL COPING - COLOR = ALUMINUM ALUM</p> | <p>C METAL COPING - COLOR TO MATCH SURROUNDNG MATERIAL MATCH</p> <p>CJ CONTROL JOINT. SEE DETAIL 1/A4.1</p> <p>D HOLLOW METAL DOOR - PAINT TO MATCH COLOR OF SURROUNDING MATERIAL</p> <p>E EXT. INSULATION FINISH SYSTEM (E.I.F.S.) COLOR = BENJAMIN MOORE "SNOW WHITE 2122-10" OR EQUAL</p> | <p>FB CO2 FILL BOX (EQPM SCHEDULE ITEM 49.00) CO2</p> <p>FB BO OPTIONAL BULK OIL FILL BOX (EQPM SCHEDULE ITEM 100.18) CONFIRM USE WITH MCD PROJECT MANAGER.</p> <p>L LIGHT FIXTURE (WALL SCONCE) - SEE ELECTRICAL</p> <p>ML METAL LETTERING - BY OTHERS</p> <p>MR METAL ROOFING</p> <p>PB PIPE BOLLARD</p> | <p>PT PASS-THRU COIN COLLECTOR - OPTIONAL (RMHC)</p> <p>RE ROOF CAP ELEMENT BY OTHERS</p> <p>RO ROOF DRAIN OVERFLOW PIPE PAINT TO MATCH SURROUNDING MATERIAL</p> <p>S McDONALD'S SIGNAGE BY OTHERS - UNDER SEPARATE PERMIT. SEE SIGNAGE SUPPORT NOTE ON THIS SHEET.</p> <p>TI ALUMINUM TRELLIS</p> | <p>T2 TRELLIS TIE-BACK</p> <p>T3 TRELLIS SYSTEM 2X8 WALL FASCIA</p> <p>W1 EXTERIOR WINDOW ASSEMBLY - SEE ASSEMBLY NOTES ON SHEET A5.0</p> <p>T = TEMPERED GLASS</p> <p>W2 DRIVE-THRU WINDOW BY READY ACCESS - CONFIRM MODEL. OPTIONS AND SIZE WITH MCD PROJECT MANAGER. OPTIONS INCLUDE: TRANSOM (SHOWN); AIR CURTAIN; FLYFAN/TRANSOM & 432 SQ. IN. MAX SERVICE OPENING (WHERE REQD BY CODE)</p> <p>XX SLIDE DIRECTION:
 RL = RIGHT TO LEFT
 LR = LEFT TO RIGHT</p> |
|--|--|--|---|---|

STRUCTURAL NOTE

UNIBODY FASCIA SIGN WALL SUPPORTS TO BE VERIFIED WITH McDONALD'S AREA CONSTRUCTION MANAGER AND COORDINATED WITH SIGN MANUFACTURER.

NO.	DATE	BY
1		
2		
3		
4		
5		
6		
7		

Landry ARCHITECTS
 300 BROADWAY, SUITE 200
 PORTLAND, ME 04101
 TEL: 603.890.6414 FAX: 603.894.4359
 www.landryarchitects.com

DRAWN BY: S.A. DATE ISSUED: 08/14/07
 CHECKED BY: T.B.D. SCALE: AS NOTED
 DATE DRAWN: 04/17/07 JOB NUMBER: M-1032

CONSULTANT:

ELEVATIONS AND NOTES

RESTAURANT LOCATION:
 332 St. John Street
 PORTLAND, ME

PREPARED FOR:
 McDonald's USA, LLC
 McDONALD'S PLAZA
 OAK BROOK, ILLINOIS 60521

SHEET NUMBER:
A-2.1