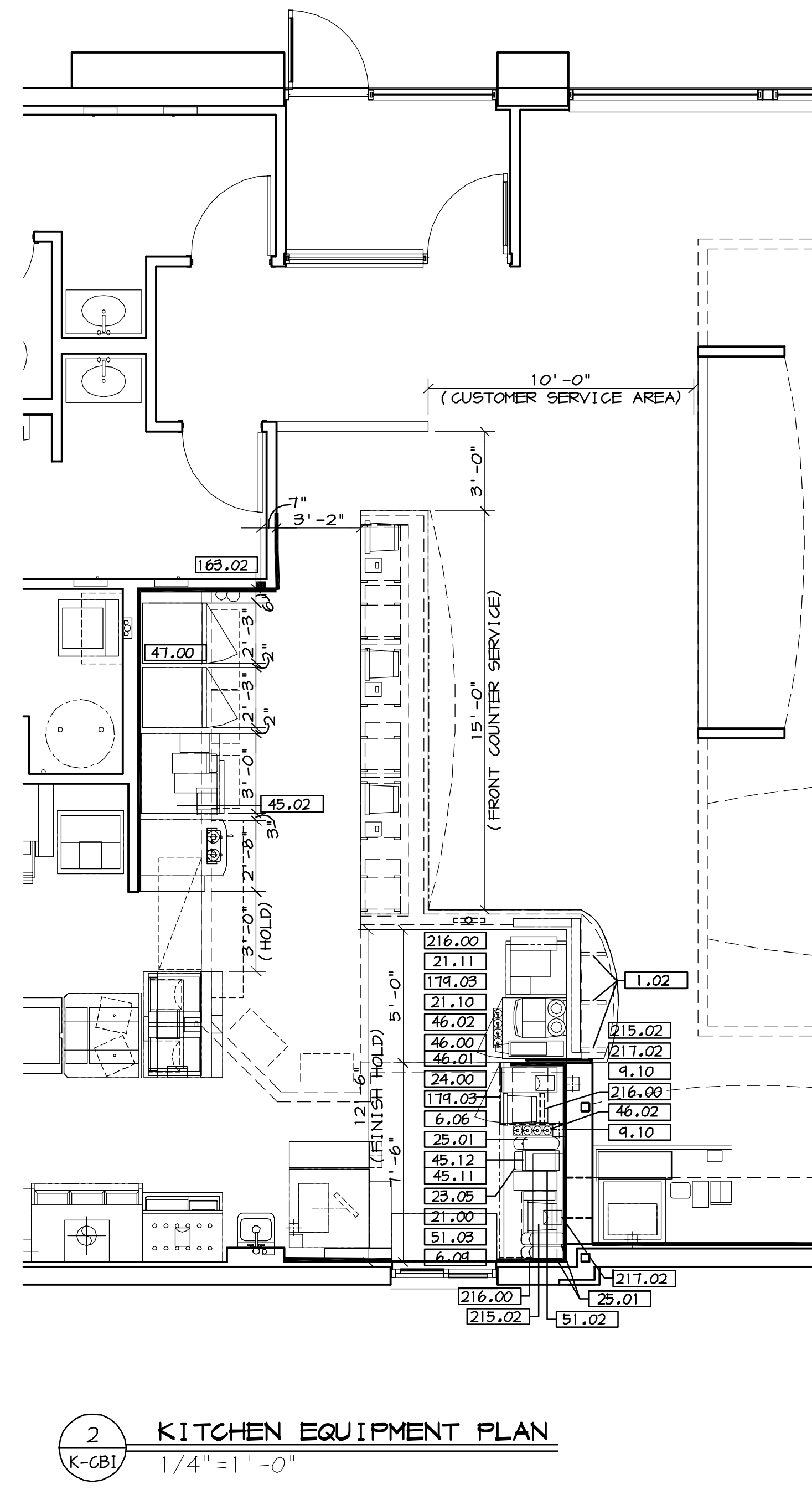
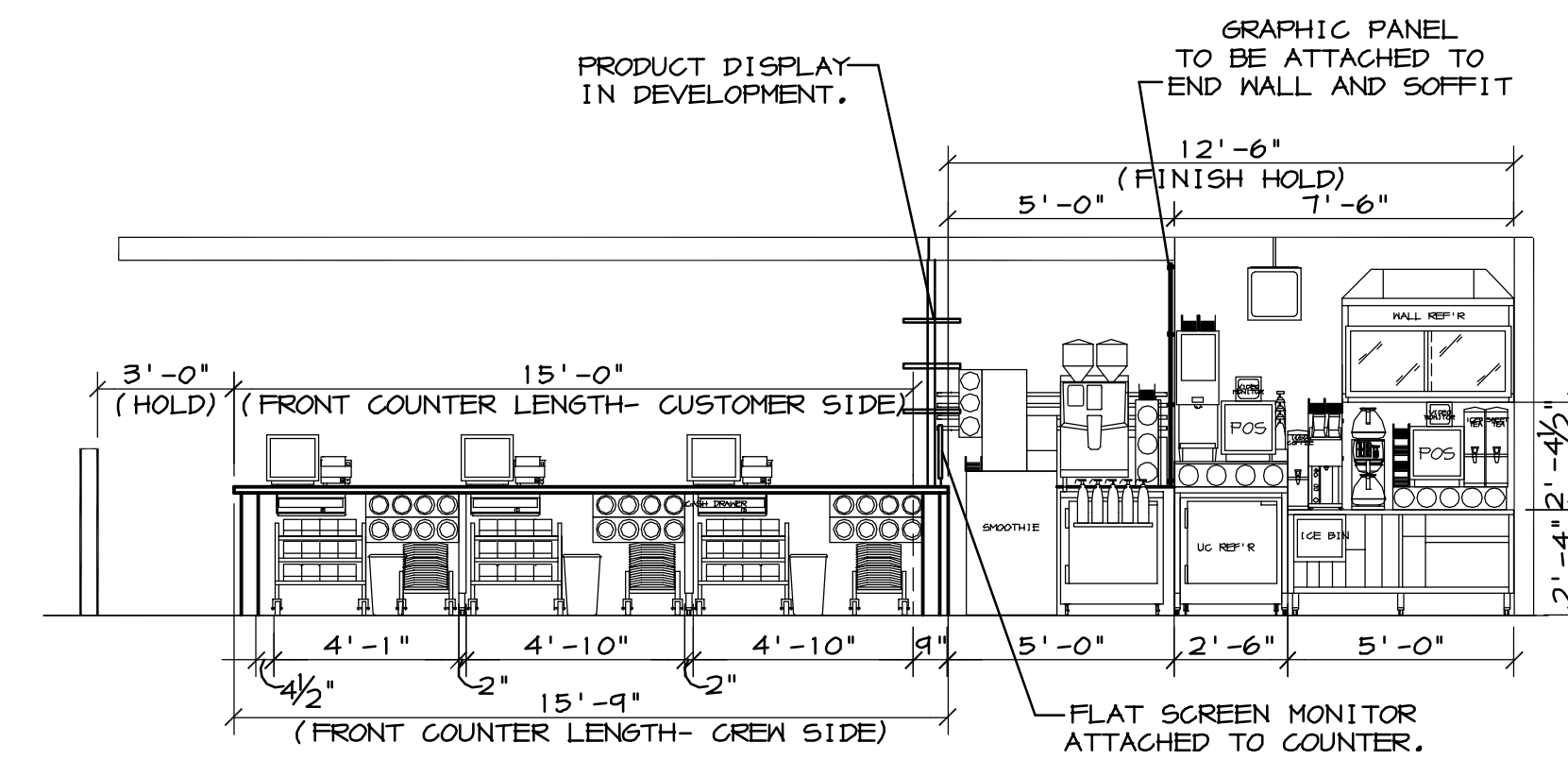


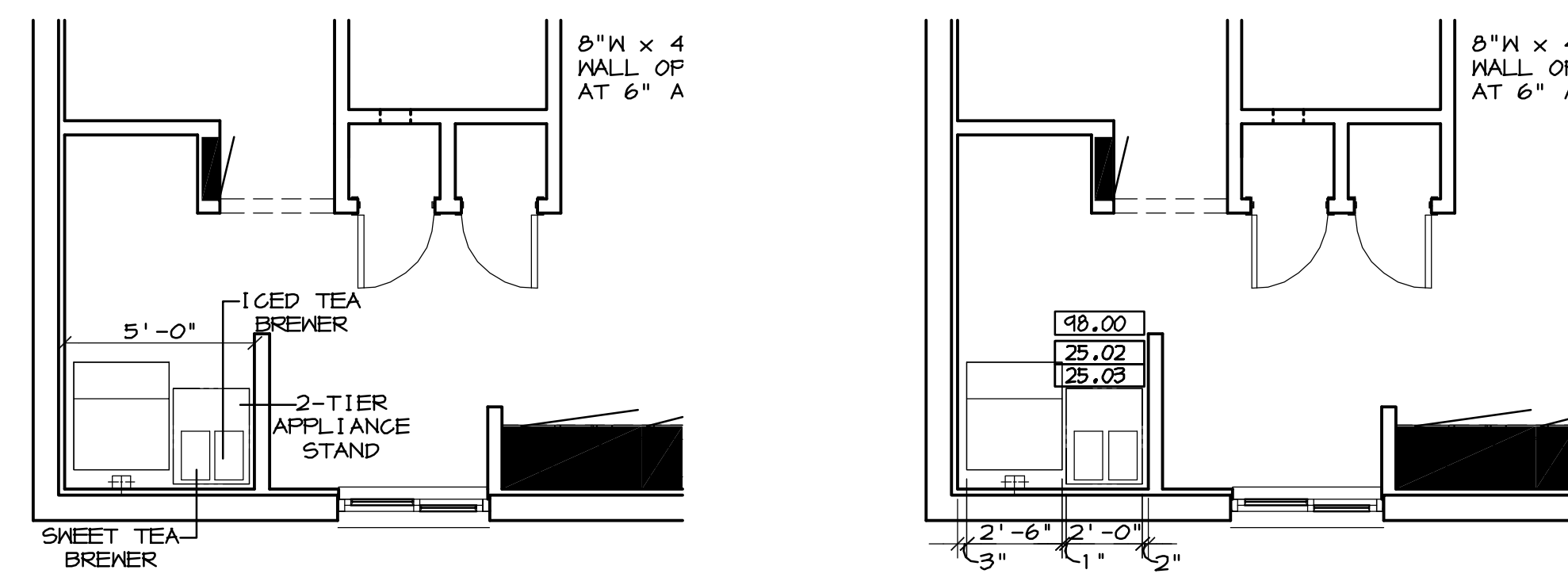
1 KITCHEN FLOOR PLAN
K-CBI 1/4" = 1'-0"



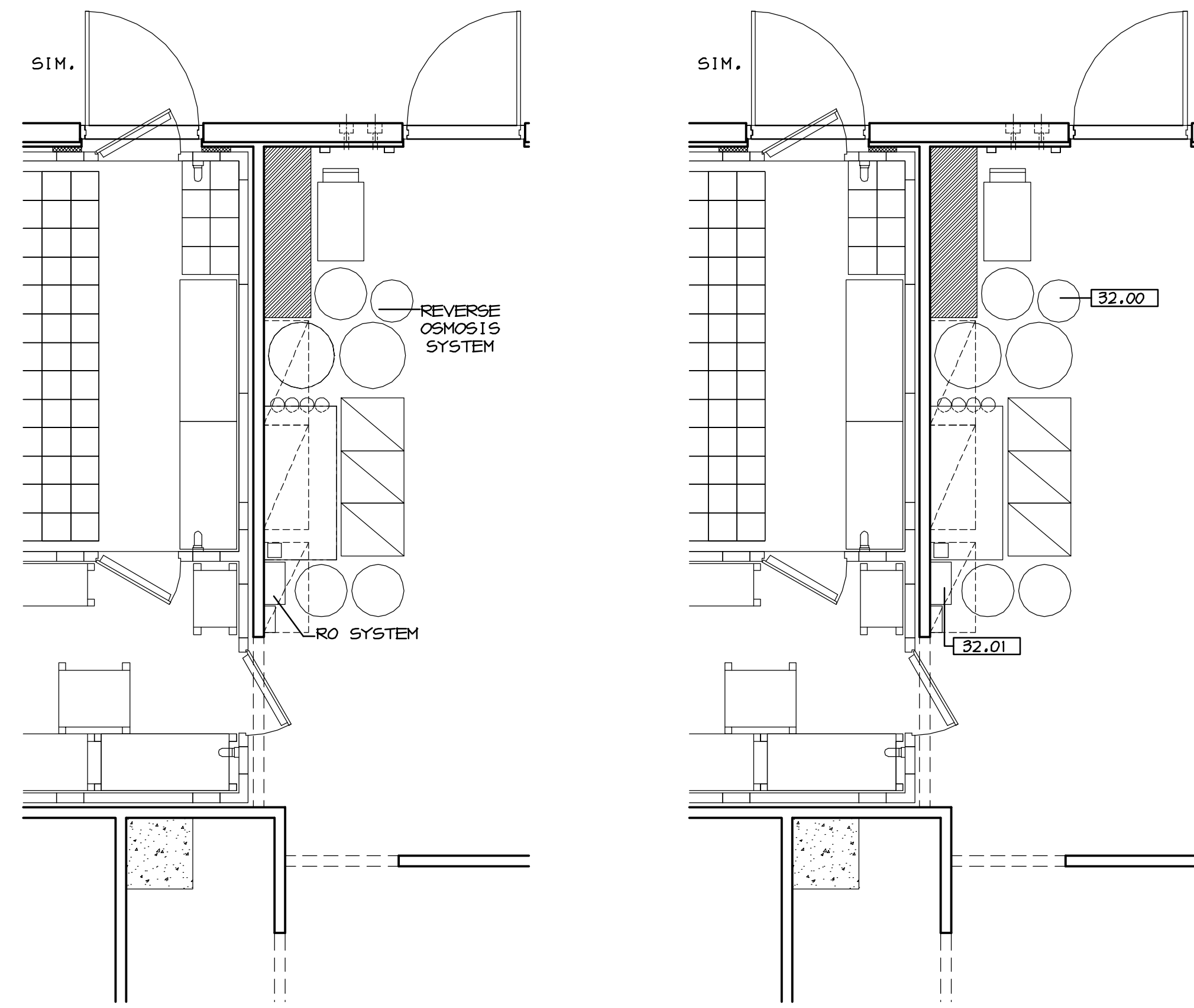
2 KITCHEN EQUIPMENT PLAN
K-CBI 1/4" = 1'-0"



3 ELEVATION- CREW SIDE
K-CBI 1/4" = 1'-0"



4 LOCATION FOR TEA BREWER
K-CBI 1/4" = 1'-0"



5 LOCATION FOR REVERSE OSMOSIS SYSTEM
K-CBI 1/4" = 1'-0"

EQUIPMENT SCHEDULE

ITEM	QTY	DESCRIPTION	MANUFACTURER	MODEL #	UL	NSF	FURNISHED	GENERAL REMARKS	SPECIAL REQUIREMENTS
6.06	1	4 PLACE CUP TUBE HOUSING TEAM SERVICE	KES	CT04-16	-	2	KES	REGION TO VERIFY LOCATION AND NUMBER OF TUBES	
6.04	1	5 PLACE CUP TUBE HOUSING TEAM SERVICE	KES	CT05-16	-	2	KES	REGION TO VERIFY LOCATION AND NUMBER OF TUBES	
4.10	1	UTILITY CHASE - D/T BEVERAGE CABINET VERSION	KES	6"x6"	-	2	KES	3-COMP. CHASE FOR DRIVE-THRU BUYOUT RECEPTACLES, POS, AND WATER LINES	
4.13	1	UTILITY CHASE	KES	4"x4"x76"	-	2	KES	FOR DRIVE-THRU BEVERAGE CABINET WATER LINES	
21.00	1	COFFEE BREWER (GLASS DECANTERS)	BLOOMFIELD	1016BVM	E4253	4	KES	SUPPLIED WITH (3) GLASS DECANTERS	
21.10	1	SPECIALTY COFFEE	CAFINA	C5-12C FF	-	4	KENS BEV		
21.11	1	SMOOTHIE MACHINE	-	-	-	-	KES		
23.05	1	COFFEE CREAM DISPENSER	SILVER KING	SKMCDIP	-	18	KES		
24.00	1	ORANGE JUICE DISPENSER	IMI CORNELIUS	GLT-100	-	18	KES		
25.01	3	SLIM LINE ICED BEVERAGE DISPENSER	KES	-	-	18	KES		
25.02	2	ICED TEA BREWER	BUNN-O- MATIC	TU3Q	E32066	4	KES		
25.03	2	ICED TEA SERVER	BUNN-O- MATIC	TD4T	E32066	4	KES		
32.00	1	REVERSE OSMOSIS WATER FILTRATION SYSTEM- PRESSURE GAUGE MONITOR	3M	-	-	-	KES	FILTRATION SYSTEM FOR COFFEE / ESPRESSO MAKERS	
32.01	1	REVERSE OSMOSIS WATER FILTRATION SYSTEM- 10 GAL. TANK	3M	-	-	-	KES	FILTRATION SYSTEM FOR COFFEE / ESPRESSO MAKERS	
45.02	1	BEVERAGE CABINET - 48" WIDE	KES	BV48-4	-	2	KES	FIELD CUT ON BEVERAGE CABINET BY KES INSTALLER	OPTIONAL ICE BIN
45.11	1	BEVERAGE CABINET - DRIVE-THRU - 28' DEEP x 60" WIDE	KES	-	-	2	KES	SUPPLIED WITH ICE BIN	
45.12	1	BEVERAGE CABINET - DRIVE-THRU - 30' DEEP x 28" WIDE	KES	-	-	2	KES		
46.00	1	CUP DISPENSER	-	-	-	2	KES		
46.01	1	COMPONENT/LID HOLDER	-	-	-	2	KES		
46.02	2	SYRUP BOTTLE RACK - (4) SYRUP PUMPS	MONIN	-	-	2	KES		
47.00	1	SALAD CASE - FULL HEIGHT	BEVERAGE AIR	R118-H66-26	SA2651	1	KES	ORDER 23 FOR WHITE FINISH OR RETAIN 01 FOR STAINLESS	
51.02	1	CUP LID HOLDER	KES	A0CLH-9	-	2	KES		
51.03	1	SINGLE-WIDE CUP LID HOLDER	KES	-	-	2	KES		
48.00	1	2-TIER APPLIANCE STAND	INTERMETRO	6TL22	-	2	KES		
163.02	1	REMOTE ANSUL PULL	ANSUL	4835	-	-	SEE R/KS	PROVIDED BY LOCAL ANSUL AGENT WHEN REQUIRED	
174.03	2	REFRIGERATOR - UNDERCOUNTER - 27" WIDE	BEVERAGE AIR	UGR27	SA2651	7	KES		
215.02	2	POS PC HARDWARE - 2 BOOTH D/T	BY OWNER	BY OWNER	0EM	-	OWNER	INCLUDES MONITOR AND CPU	
216.00	3	POS - VIDEO MONITOR W/SUPPORTS	BY OWNER	BY OWNER	E106706	-	OWNER	SUPPORTS INSTALLED BY GC IF REQUIRED - MOUNT @ 5'-8" AFF	IF ITEM #20.00 IS USED MOUNT AT 6'-6" AFF IN DRIVE-THRU BOOT
217.02	X 2	DRIVE-THRU CAMERA & MONITOR SYSTEM	USS1/AMSECO	MC351AVCS	E108428	-	OWNER	(1) CAMERA, (1) 5" B/W MONITOR, MOUNTING BRACKET, 100' CABLE	

McDonald's USA, LLC
 TITLE: CBI DESIGN CRITERIA PACKAGE
 2006-4578 STANDARD BUILDING
 PRESCRIPTION
 8" CHU BEARING WALLS
 K-CBI
 FLOOR PLAN
 00-0000.00.0
 PREPARED BY: []
 DRAWN BY: []
 TRN
 DATE: MAR 2007
 DATE: MAR 2007
 DATE: MAR 2007
 DATE: MAR 2007
 SITE ADDRESS: XXX-XXX
 BY: []
 DATE: []
 DESCRIPTION: []