

CERTIFICATION:

CONSULTANT LOGO:

THIS DRAWING IS A PART OF AN INTEGRATED SET OF CONSTRUCTION CONTRACT DOCUMENTS. REFER TO ALL DRAWINGS AND SPECIFICATIONS INCLUDING BUT NOT LIMITED TO "GENERAL CONDITIONS", "SUMMARY OF WORK" AND ANY APPLICABLE MANUFACTURERS TECHNICAL SPECIFICATIONS.

REFER TO ALL OF THE DRAWINGS FOR COMPLETE SCOPE OF WORK.

THIS DRAWING IS NOT TO BE SCALED AND/OR USED AS AN AS-BUILT.

REVISIONS	
No.	DATE

PROJECT NAME:



312 ST. JOHN STREET
PORTLAND, ME

PREPARED BY:



Jefferson Group Architects, Inc.
700 School Street Pawtucket, RI 02860
Phone: (401) 721-2245 Fax: (401) 721-2238

SHEET TITLE:

INTERIOR SECTIONS AND DETAILS

JOB NUMBER: 200449

DRAWN BY: EFS/JSM

CHECKED BY: WJJ/MAP

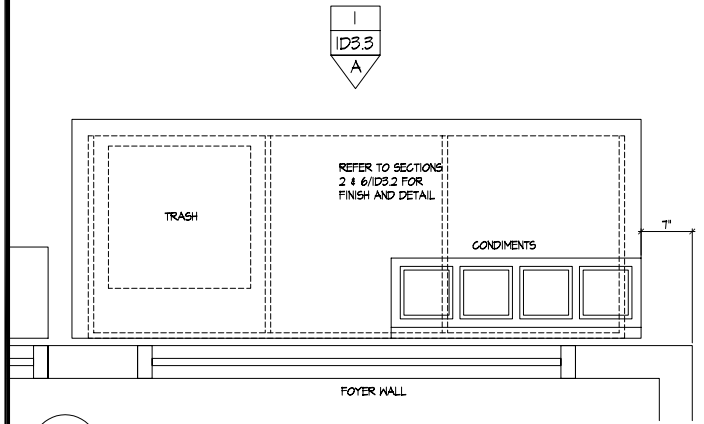
DATE ISSUED: Tuesday, August 23, 2005

SCALE: Noted

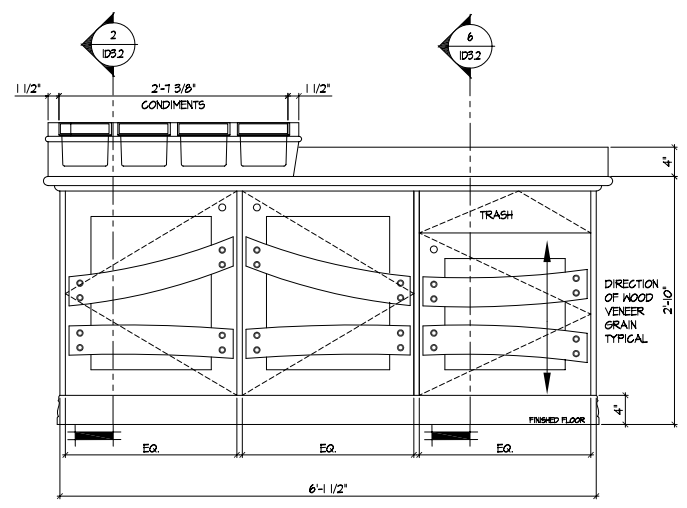
SHEET NUMBER:

ID3.3

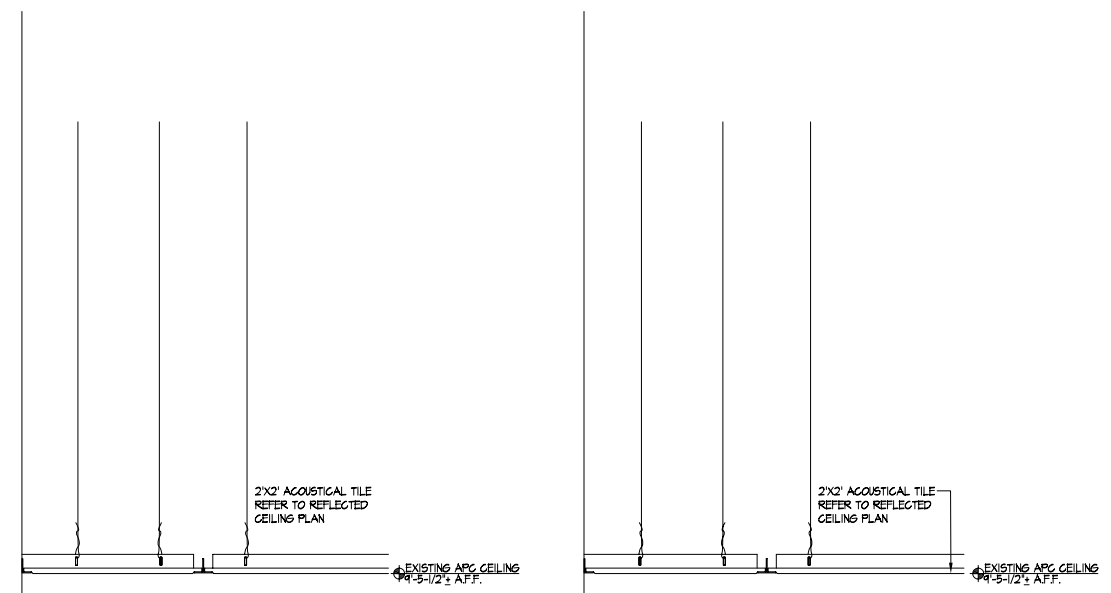
ISSUED FOR PERMIT - TUESDAY, AUGUST 23, 2005



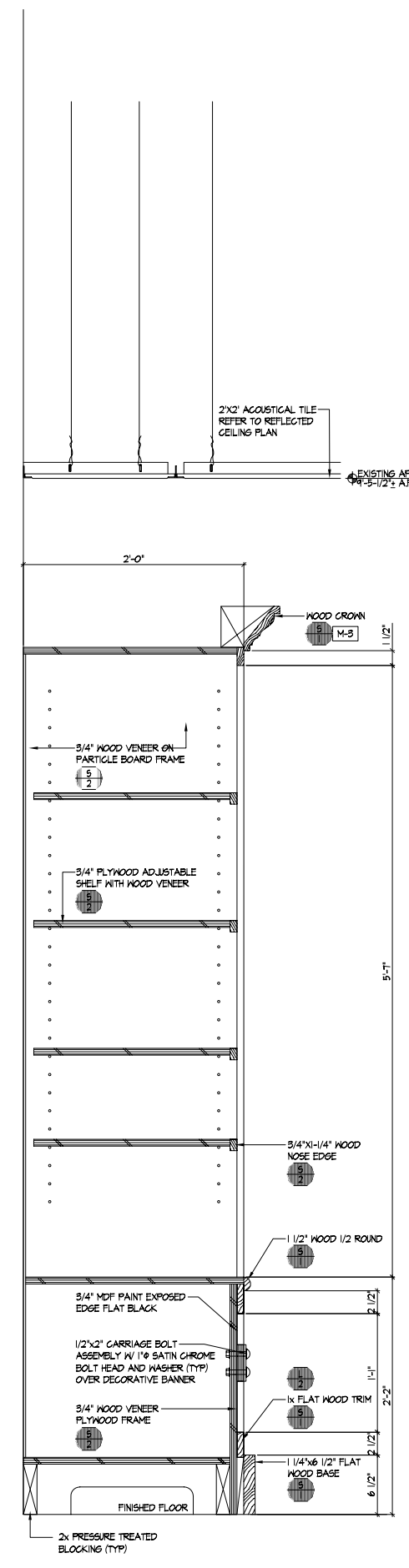
1 PLAN: CUSTOM COFFEE STATION
SCALE: 1"=1'-0"



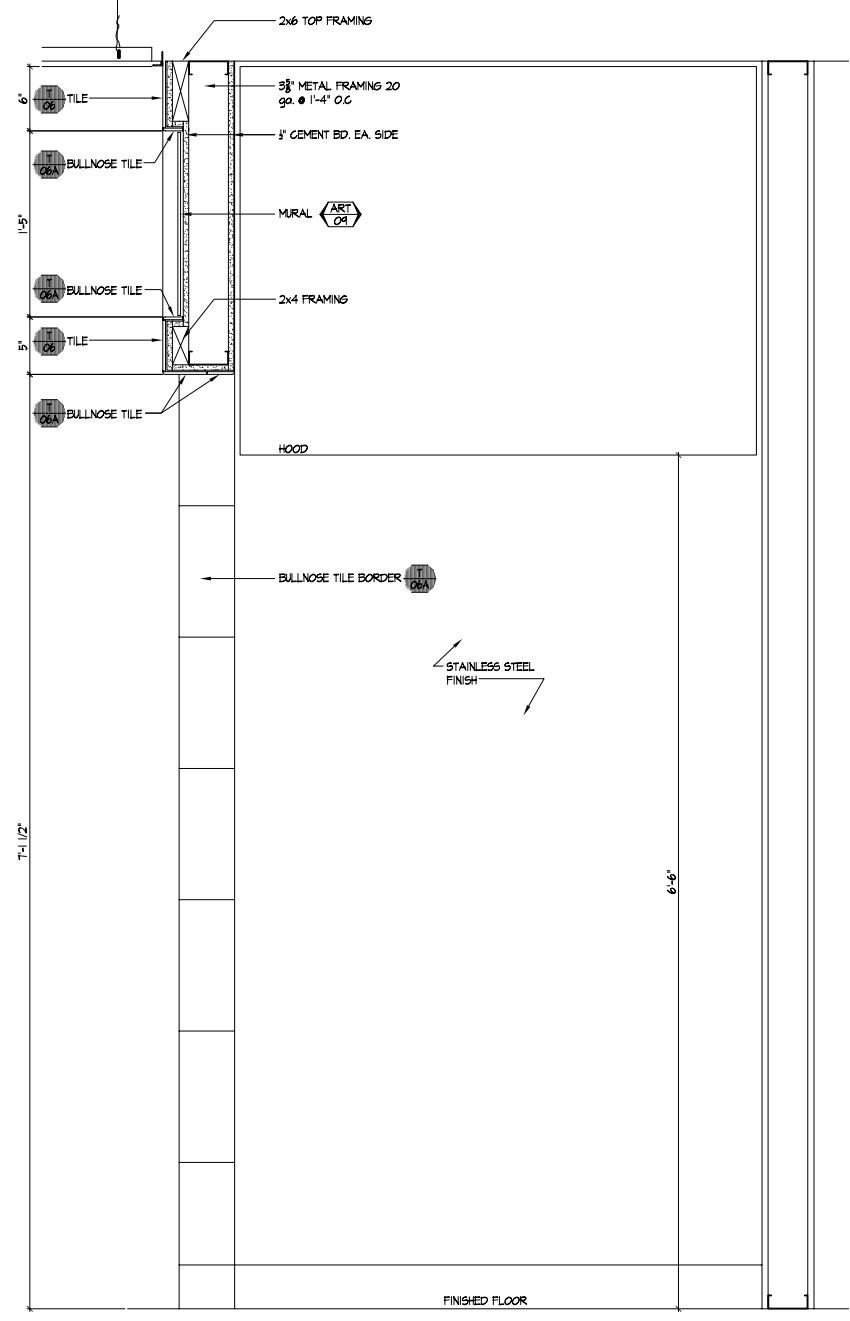
1A ELEVATION: COFFEE STATION
SCALE: 1"=1'-0"



2 SECTION: RETAIL SHELVING
SCALE: 1 1/2"=1'-0"



3 SECTION: RETAIL SHELVING
SCALE: 1 1/2"=1'-0"



4 SECTION: STAINLESS STEEL ALCOVE
SCALE: 1 1/2"=1'-0"