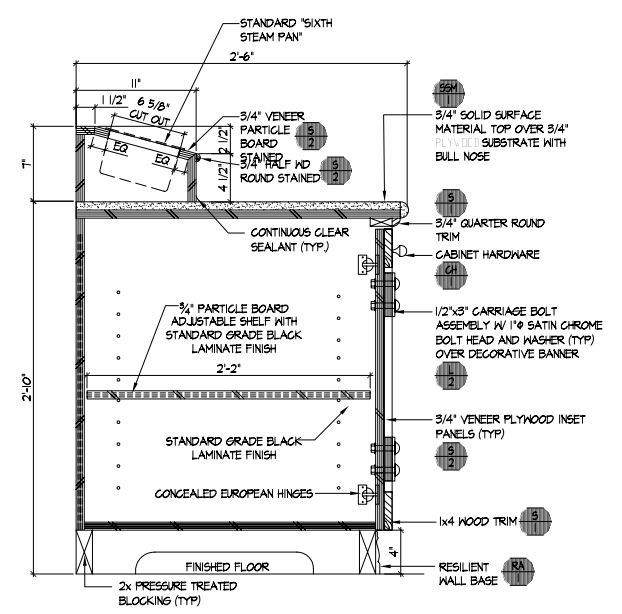
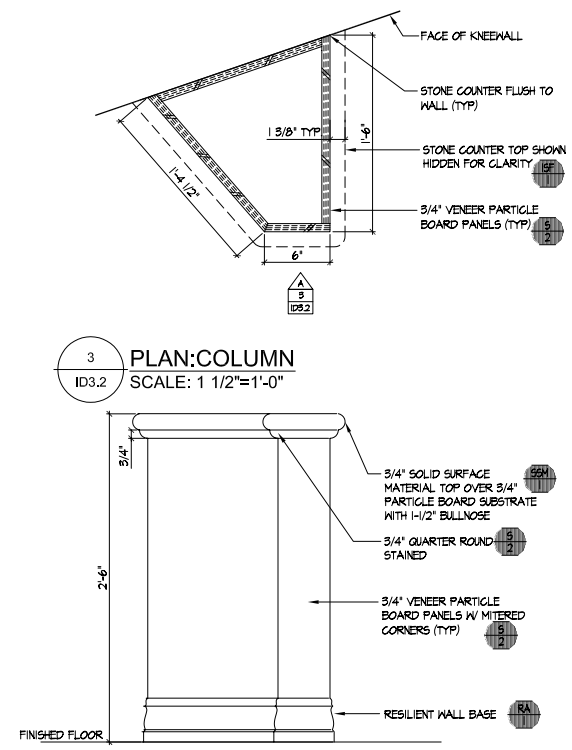


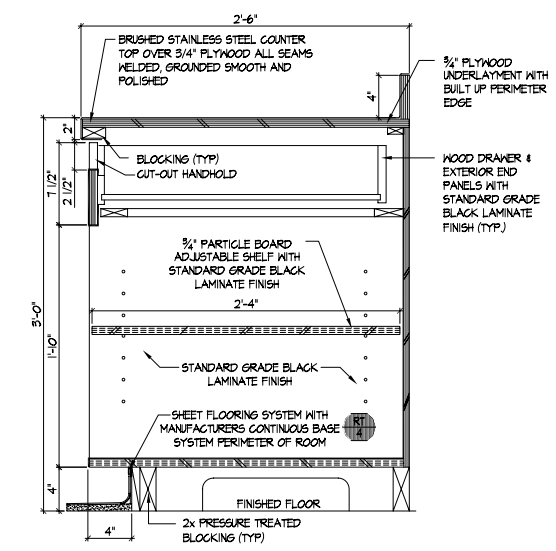
1 SECTION:FRONT COUNTER
ID3.2 SCALE: 1 1/2"=1'-0"



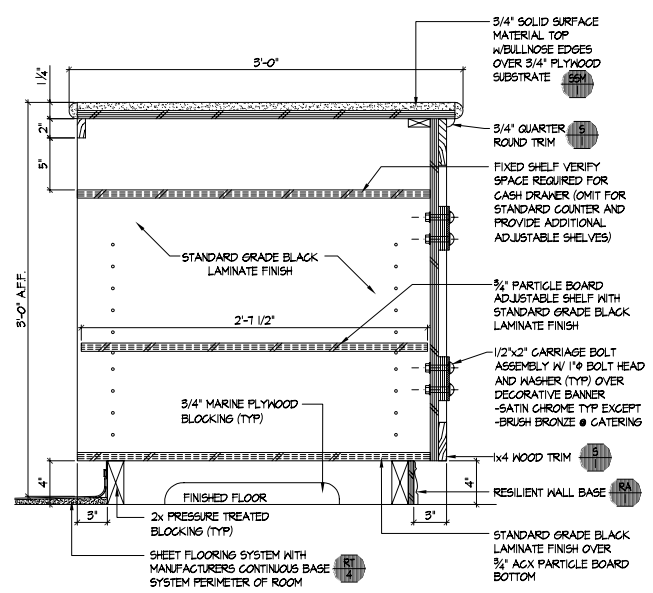
2 SECTION:COFFEE COUNTER
ID3.2 SCALE: 1 1/2"=1'-0"



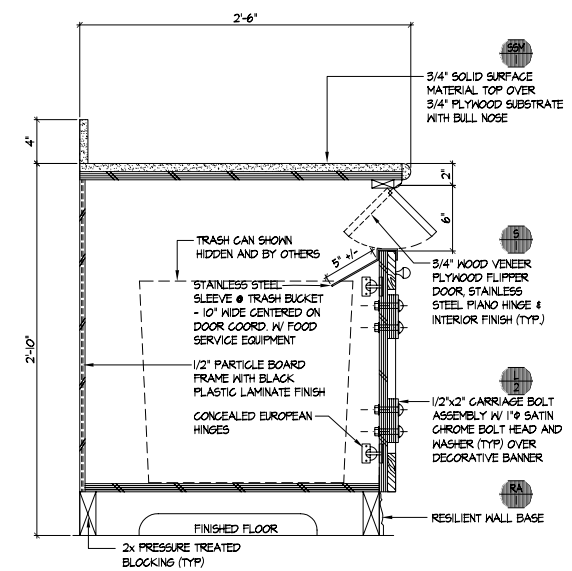
3A ELEV: COLUMN
ID3.2 SCALE: 1 1/2"=1'-0"



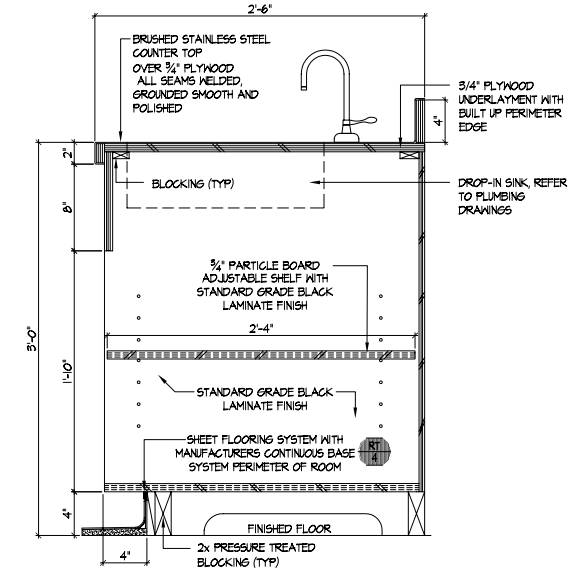
4 SECTION: HAND SINK COUNTER
ID3.2 SCALE: 1 1/2"=1'-0"



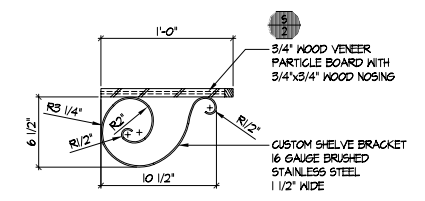
5 SECTION:FRONT COUNTER
ID3.2 SCALE: 1 1/2"=1'-0"



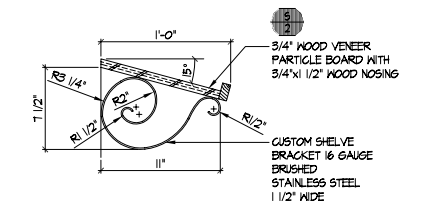
6 SECTION:COFFEE COUNTER/TRASH UNIT
ID3.2 SCALE: 1 1/2"=1'-0"



7 SECTION: HAND SINK COUNTER
ID3.2 SCALE: 1 1/2"=1'-0"



8A SECTION: RETAIL SHELVING
ID3.2 SCALE: 1 1/2"=1'-0"



8B SECTION: RETAIL SHELVING
ID3.2 SCALE: 1 1/2"=1'-0"

CERTIFICATION:

CONSULTANT LOGO:

THIS DRAWING IS A PART OF AN INTEGRATED SET OF CONSTRUCTION CONTRACT DOCUMENTS. REFER TO ALL DRAWINGS AND SPECIFICATIONS INCLUDING BUT NOT LIMITED TO "GENERAL CONDITIONS", "SUMMARY OF WORK" AND ANY APPLICABLE MANUFACTURERS TECHNICAL SPECIFICATIONS.

REVISIONS table with columns for No. and DATE.



PREPARED BY: JGA ARCHITECTURAL DESIGN
Jefferson Group Architects, Inc.
700 School Street Pawtucket, RI 02860
Phone: (401) 721-2245 Fax: (401) 721-2238

SHEET TITLE: INTERIOR SECTIONS AND DETAILS

JOB NUMBER: 200449
DRAWN BY: EFS/JSM
CHECKED BY: WJJ/MAP
DATE ISSUED: Tuesday, August 23, 2005
SCALE: Noted

PLEASE NOTE THAT ALL MILLWORK DETAILS ARE FOR DESIGN INTENT ONLY. FINAL CONSTRUCTION AND FABRICATION MAY VARY. THE GENERAL CONTRACTOR IS TO PROVIDE ENGINEERED SHOP DRAWINGS FOR THE ARCHITECT'S APPROVAL AND COORDINATION PRIOR TO FABRICATION.

ACCESS TO SITE FOR ALL MATERIALS IS TO BE DETERMINED BY CONTRACTORS AND SUBCONTRACTORS PRIOR TO FABRICATION.

SHEET NUMBER: ID3.2

ISSUED FOR PERMIT - TUESDAY, AUGUST 23, 2005