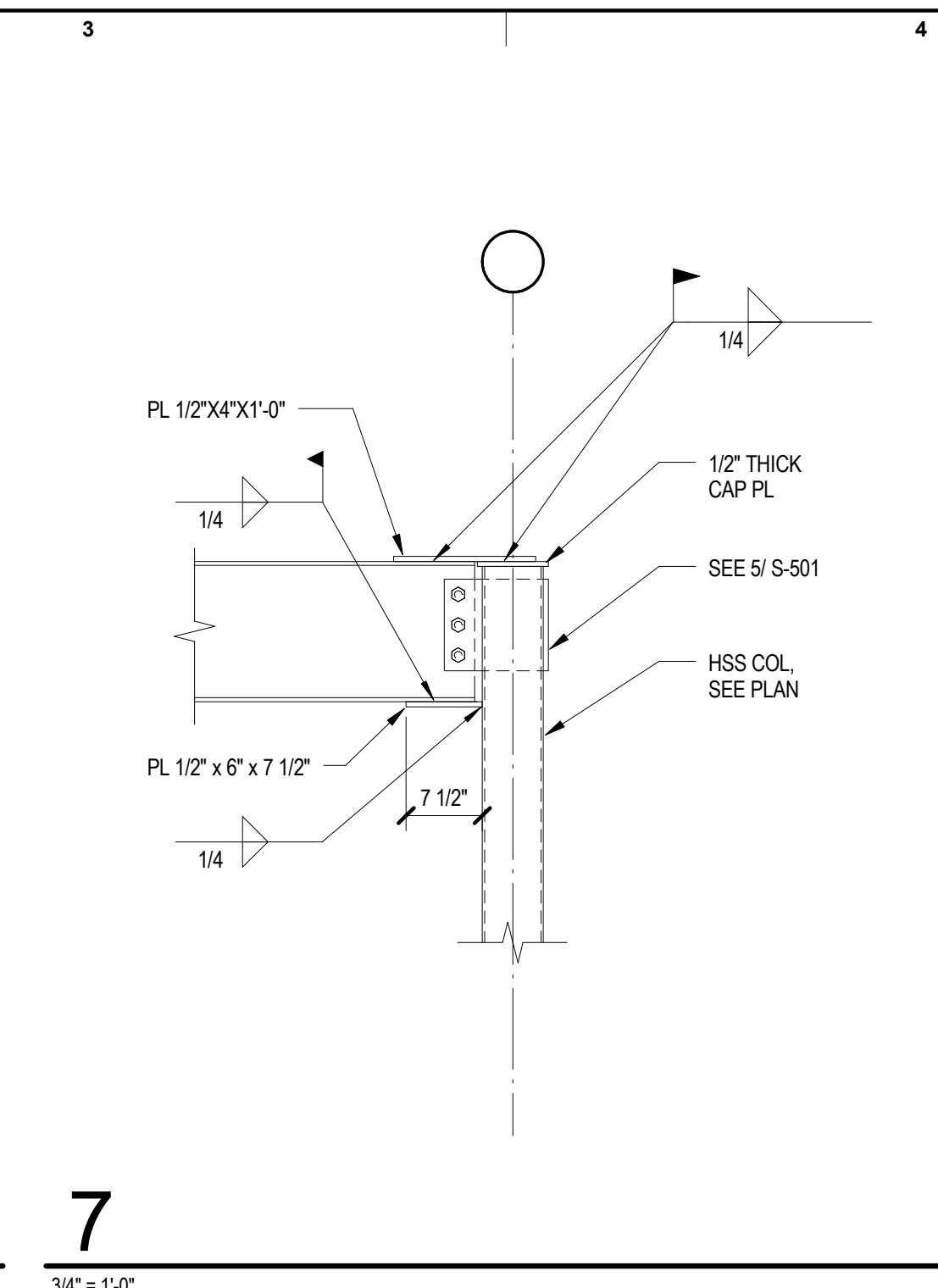
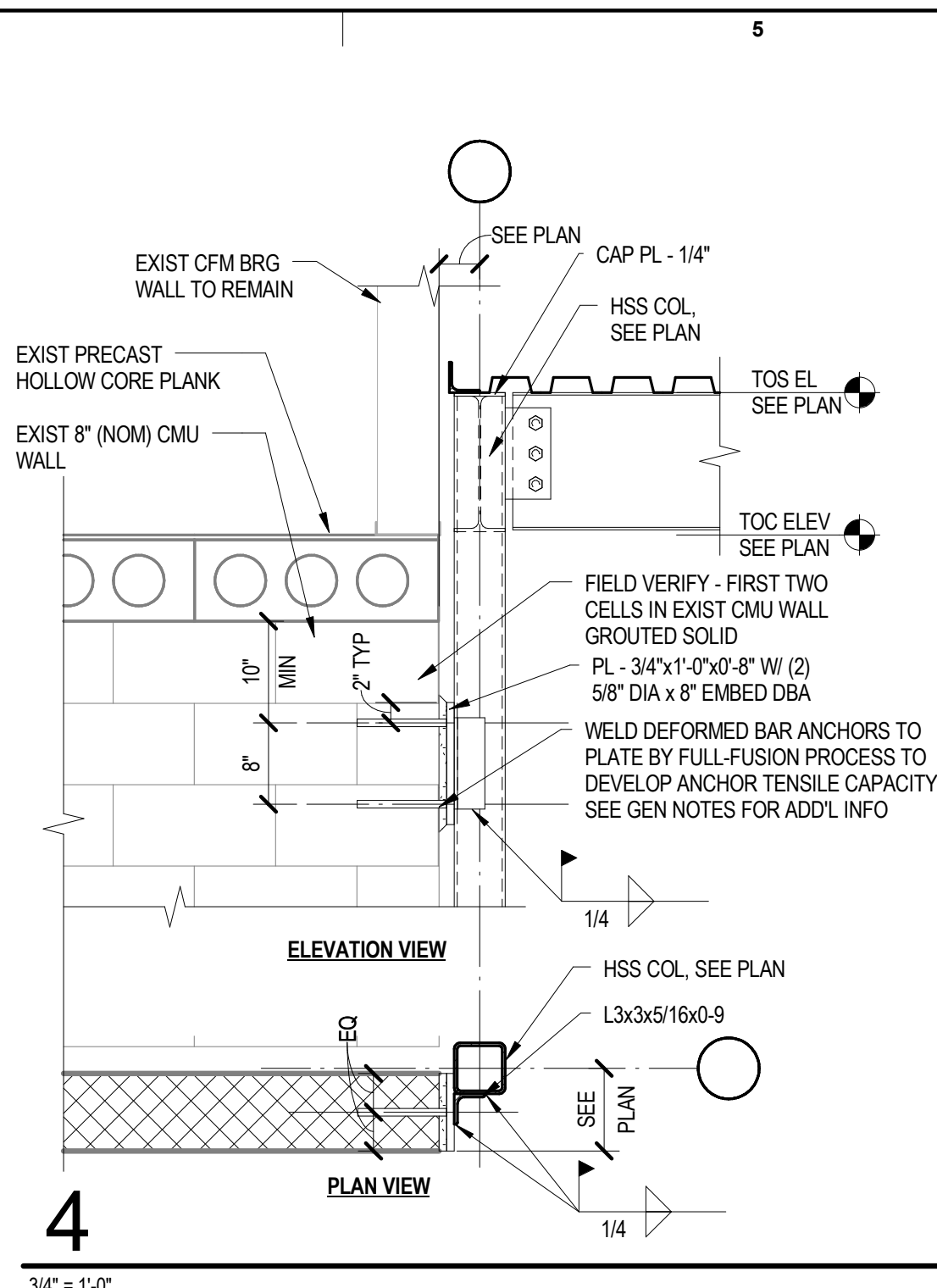


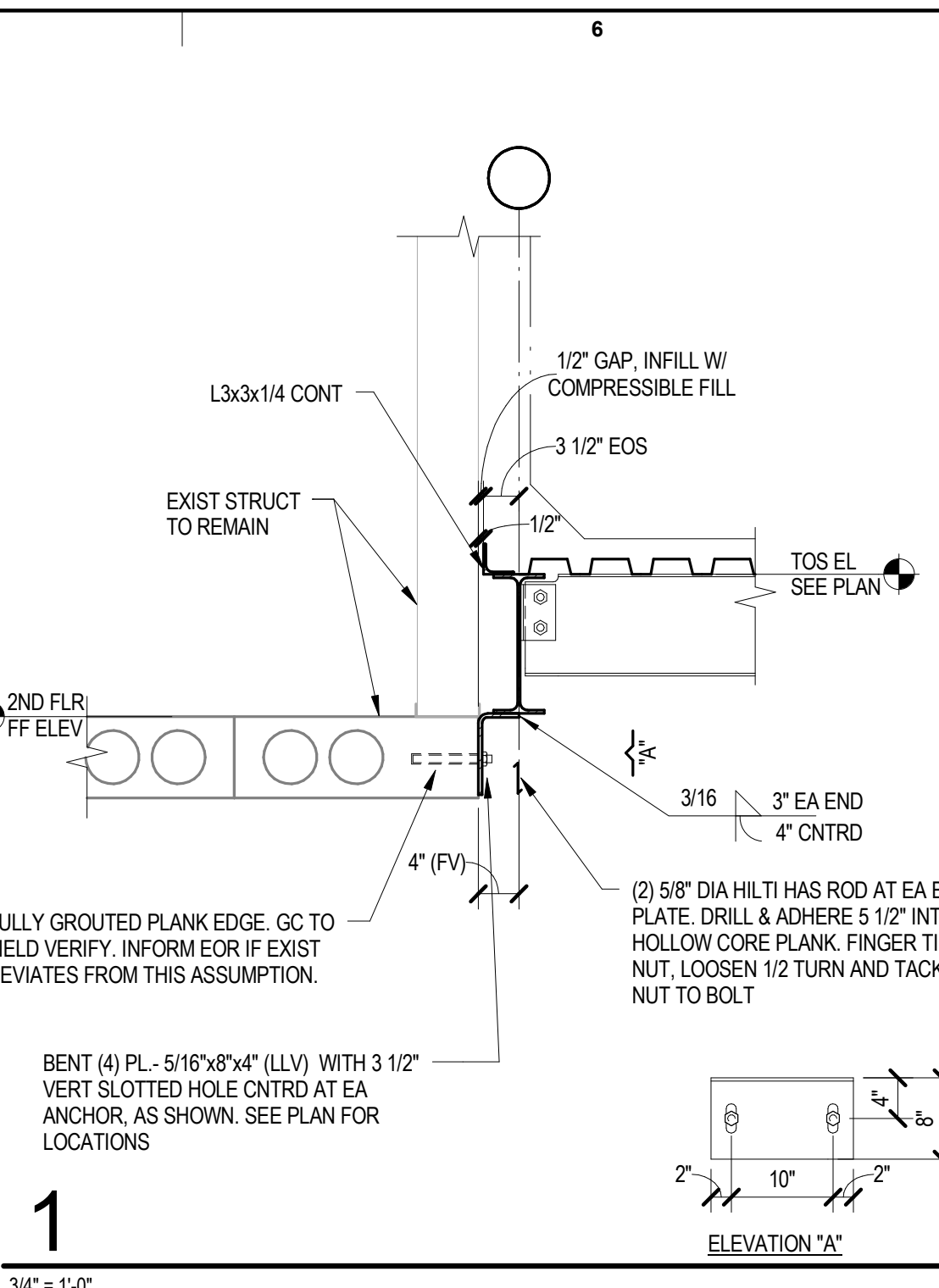
**13 CANOPY FOUNDATION**



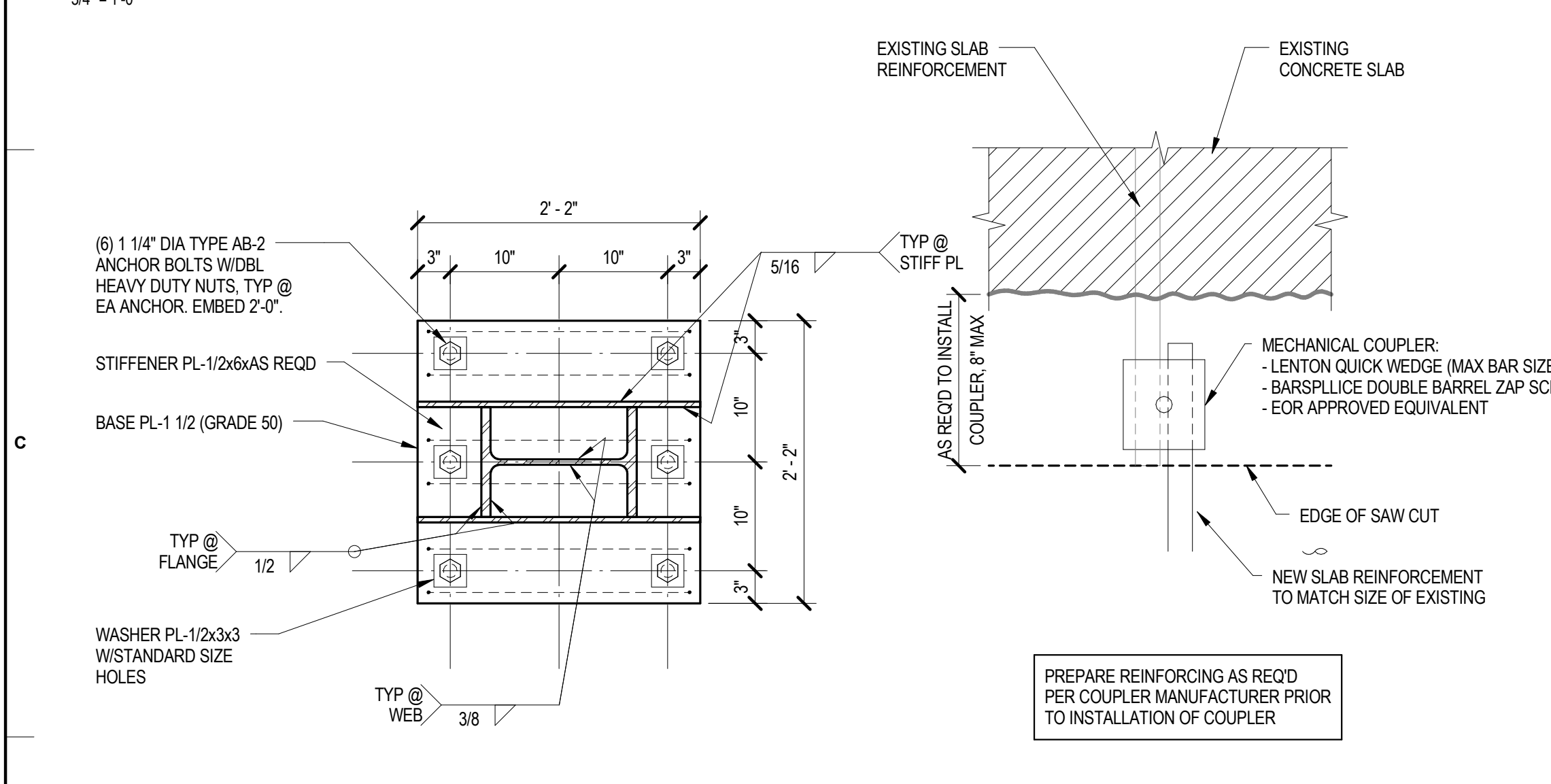
**7**



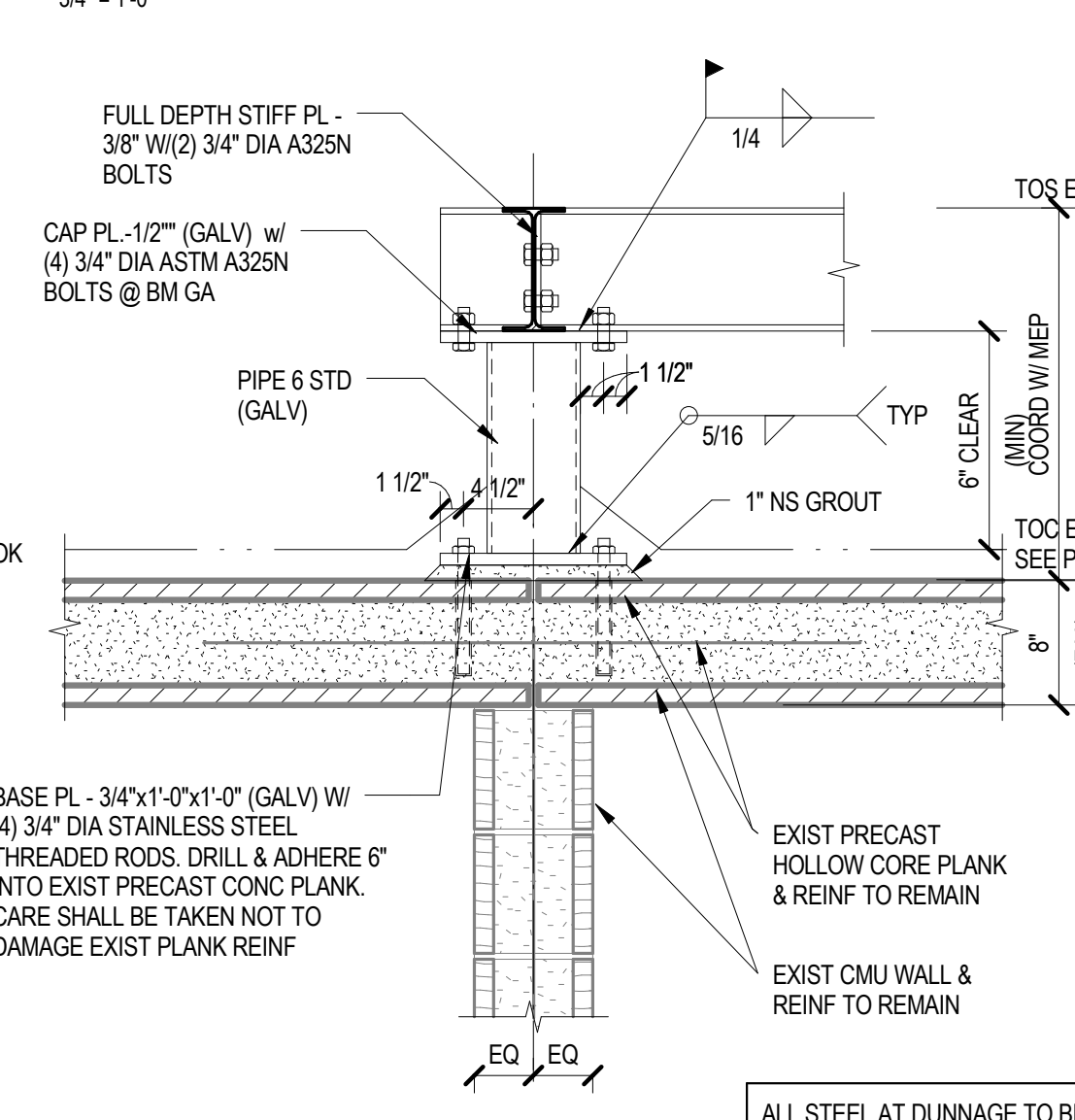
**4**



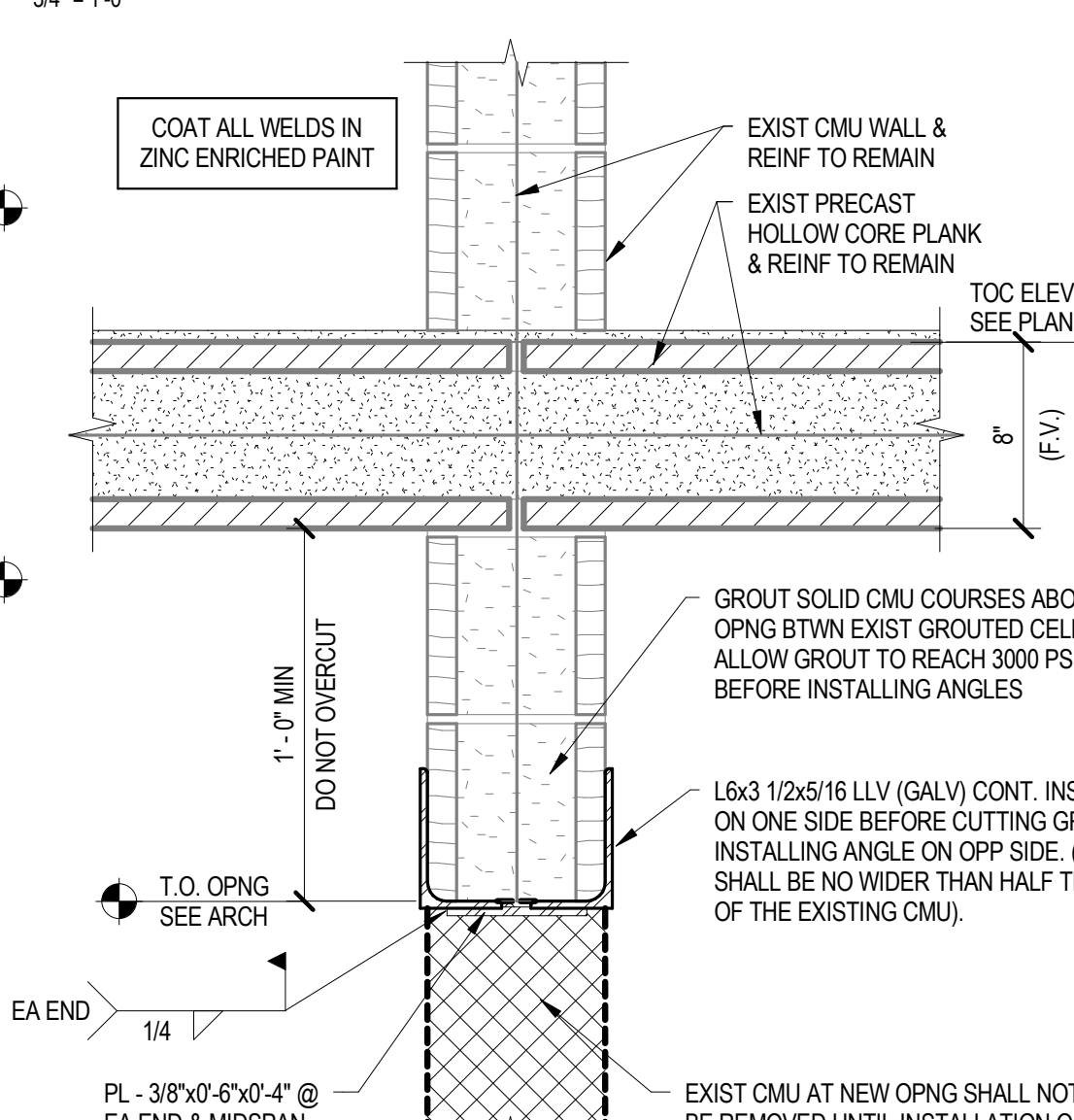
**1**



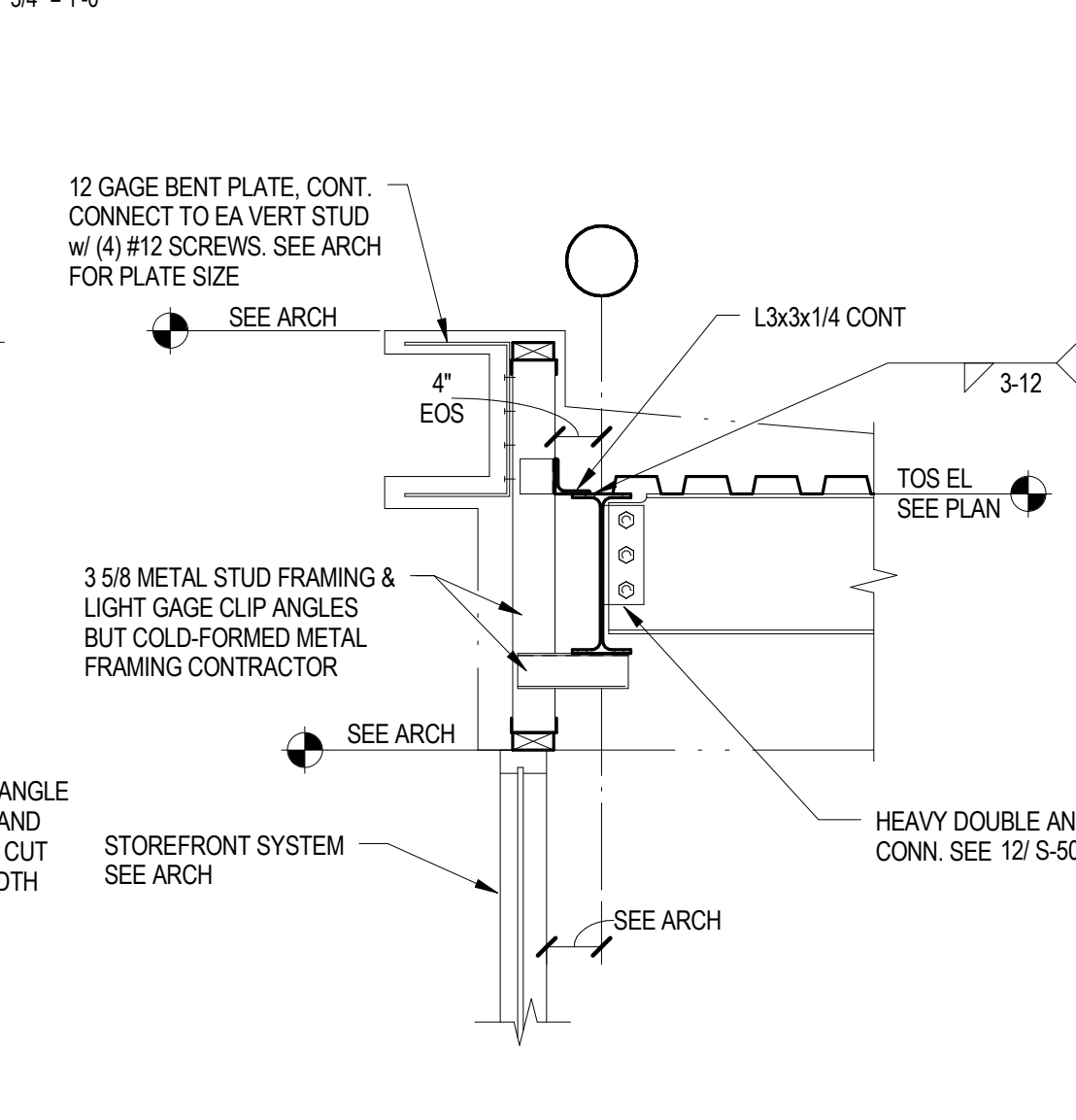
**14 CANOPY BASEPLATE**



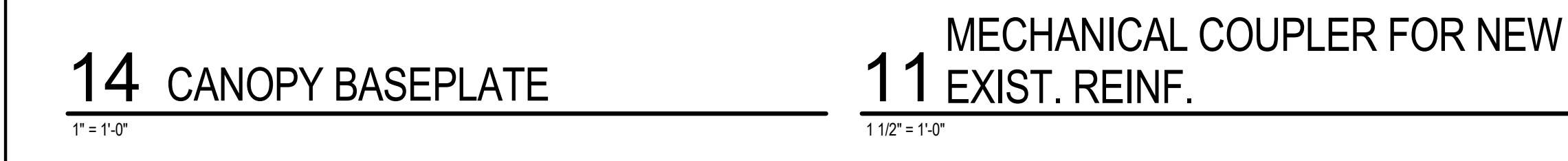
**8**



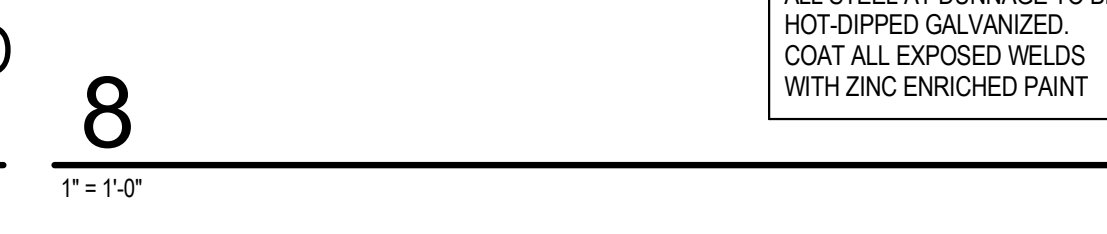
**5 LINTEL @ NEW CMU DOOR OPNG**



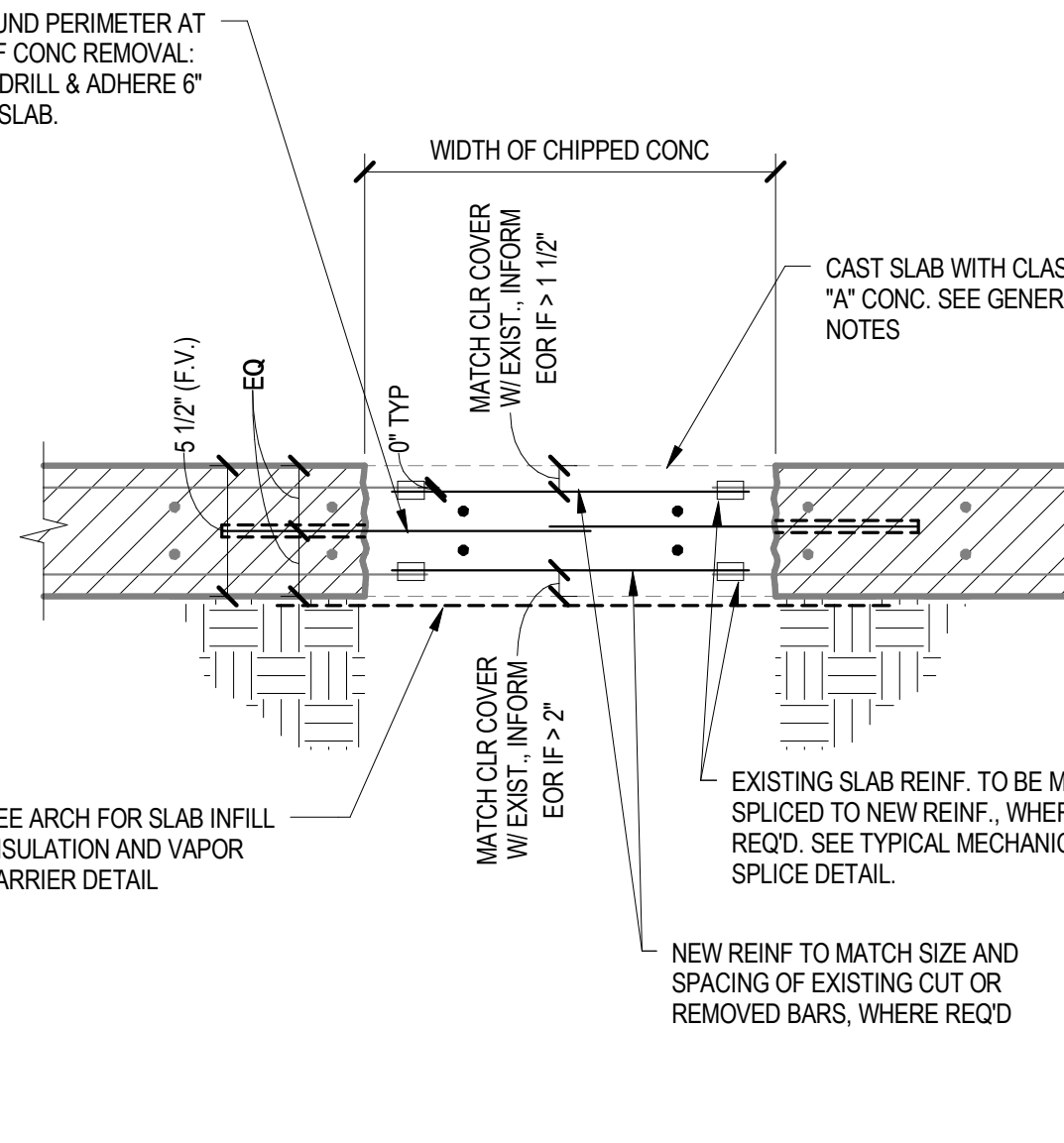
**2**



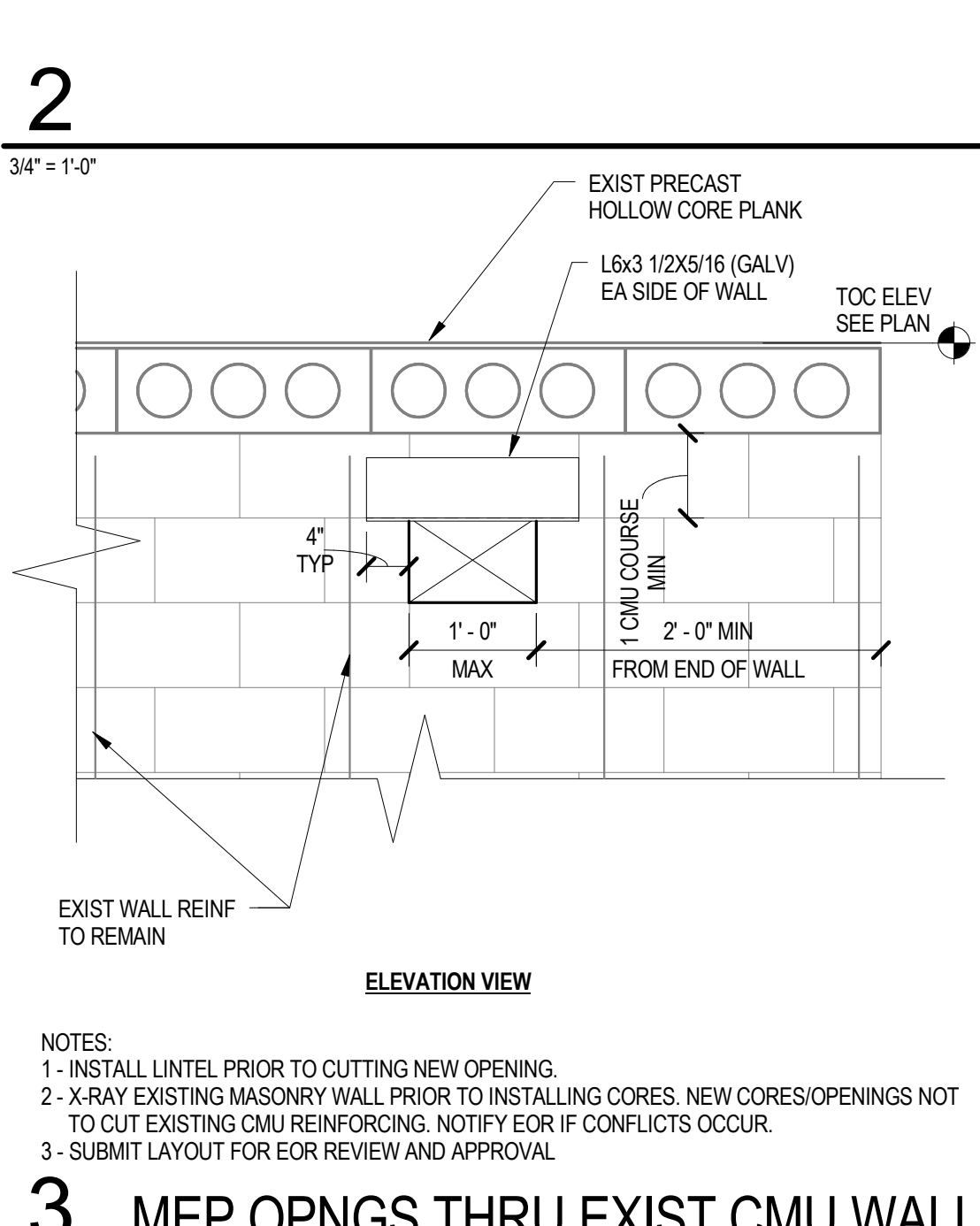
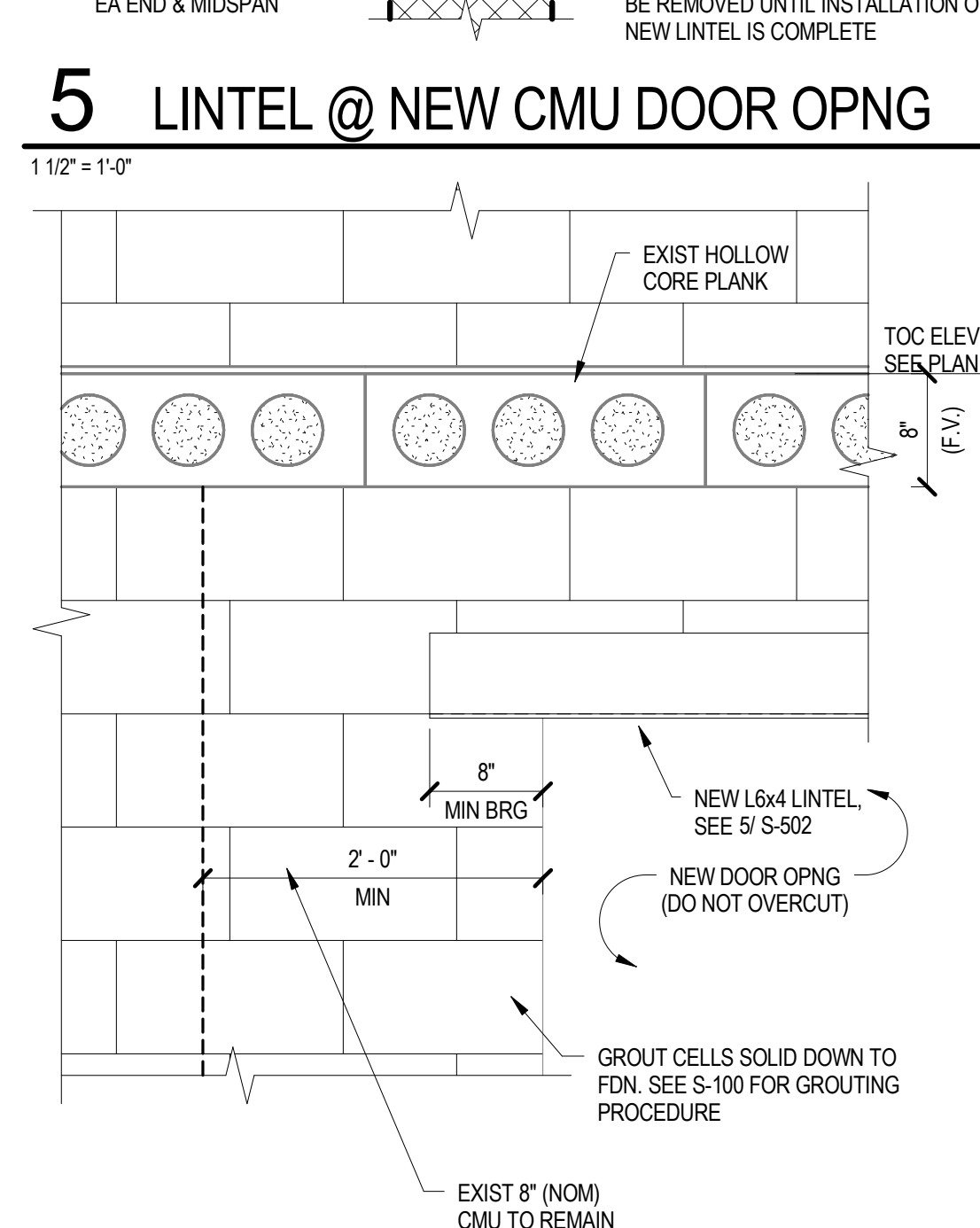
**11 MECHANICAL COUPLER FOR NEW TO EXIST. REINF.**



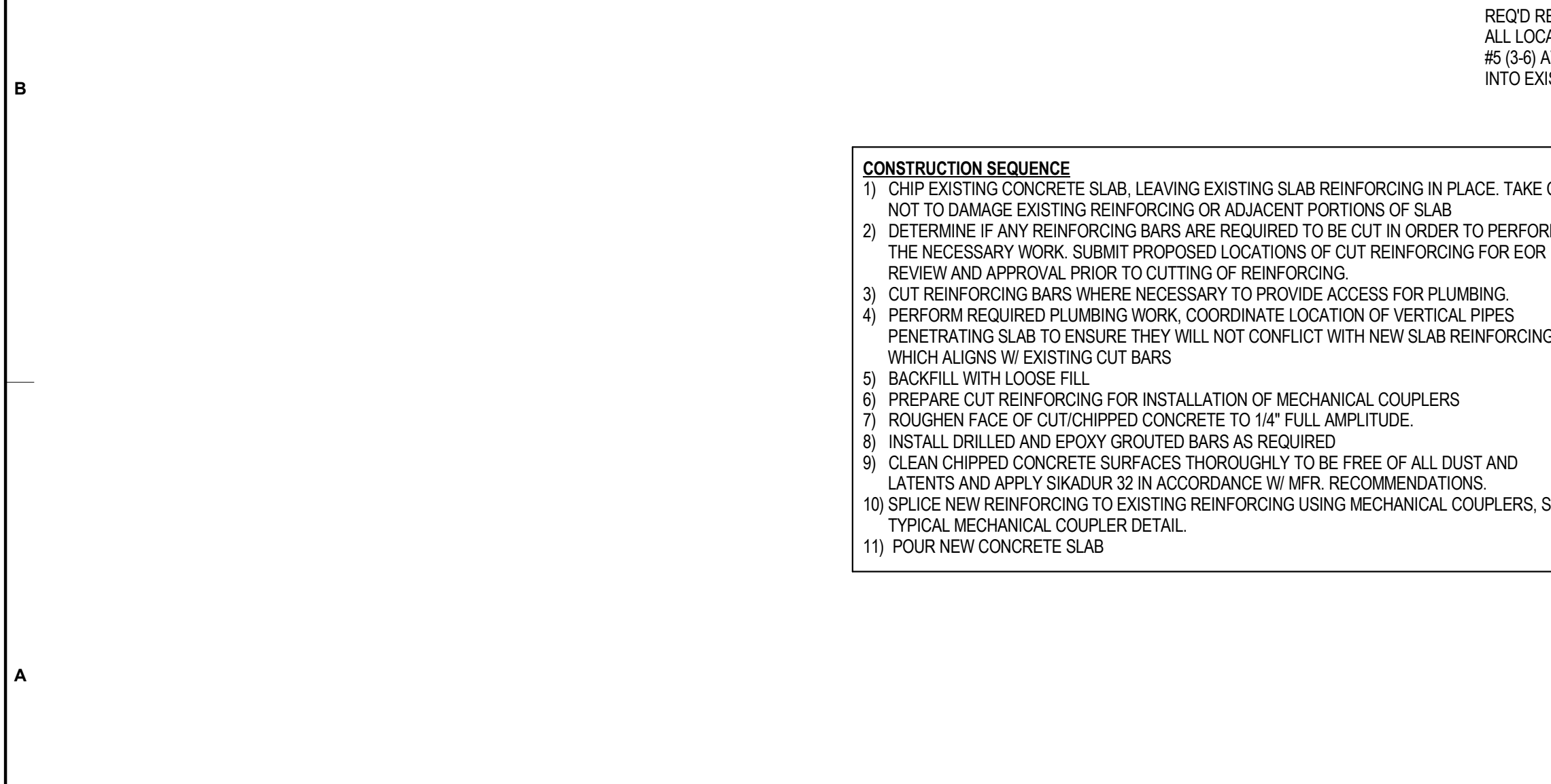
- CONSTRUCTION SEQUENCE**
- 1) CHIP EXISTING CONCRETE SLAB, LEAVING EXISTING SLAB REINFORCING IN PLACE. TAKE CARE NOT TO DAMAGE EXISTING REINFORCING OR ADJACENT PORTIONS OF SLAB.
  - 2) DETERMINE IF ANY REINFORCING BARS ARE REQUIRED TO BE CUT IN ORDER TO PERFORM THE NECESSARY WORK. SUBMIT PROPOSED LOCATIONS OF CUT REINFORCING FOR EOR REVIEW AND APPROVAL PRIOR TO CUTTING OF REINFORCING.
  - 3) CUT REINFORCING BARS WHERE NECESSARY TO PROVIDE ACCESS FOR PLUMBING.
  - 4) PERFORM REQUIRED PLUMBING WORK, COORDINATE LOCATION OF VERTICAL PIPES PENETRATING SLAB TO ENSURE THEY WILL NOT CONFLICT WITH NEW SLAB REINFORCING WHICH ALIGNS W/ EXISTING CUT BARS.
  - 5) BACKFILL WITH LOOSE FILL.
  - 6) PREPARE CUT REINFORCING FOR INSTALLATION OF MECHANICAL COUPLERS.
  - 7) ROUGHEN FACE OF CUT/CHIPPED CONCRETE TO 1/4" FULL AMPLITUDE.
  - 8) INSTALL DRILLED AND EPOXY GROUTED BARS AS REQUIRED.
  - 9) CLEAN CHIPPED CONCRETE SURFACES THOROUGHLY TO BE FREE OF ALL DUST AND LATENTS AND APPLY SIKADUR 32 IN ACCORDANCE W/ MFR. RECOMMENDATIONS.
  - 10) SPLICE NEW REINFORCING TO EXISTING REINFORCING USING MECHANICAL COUPLERS, SEE TYPICAL MECHANICAL COUPLER DETAIL.
  - 11) POUR NEW CONCRETE SLAB.



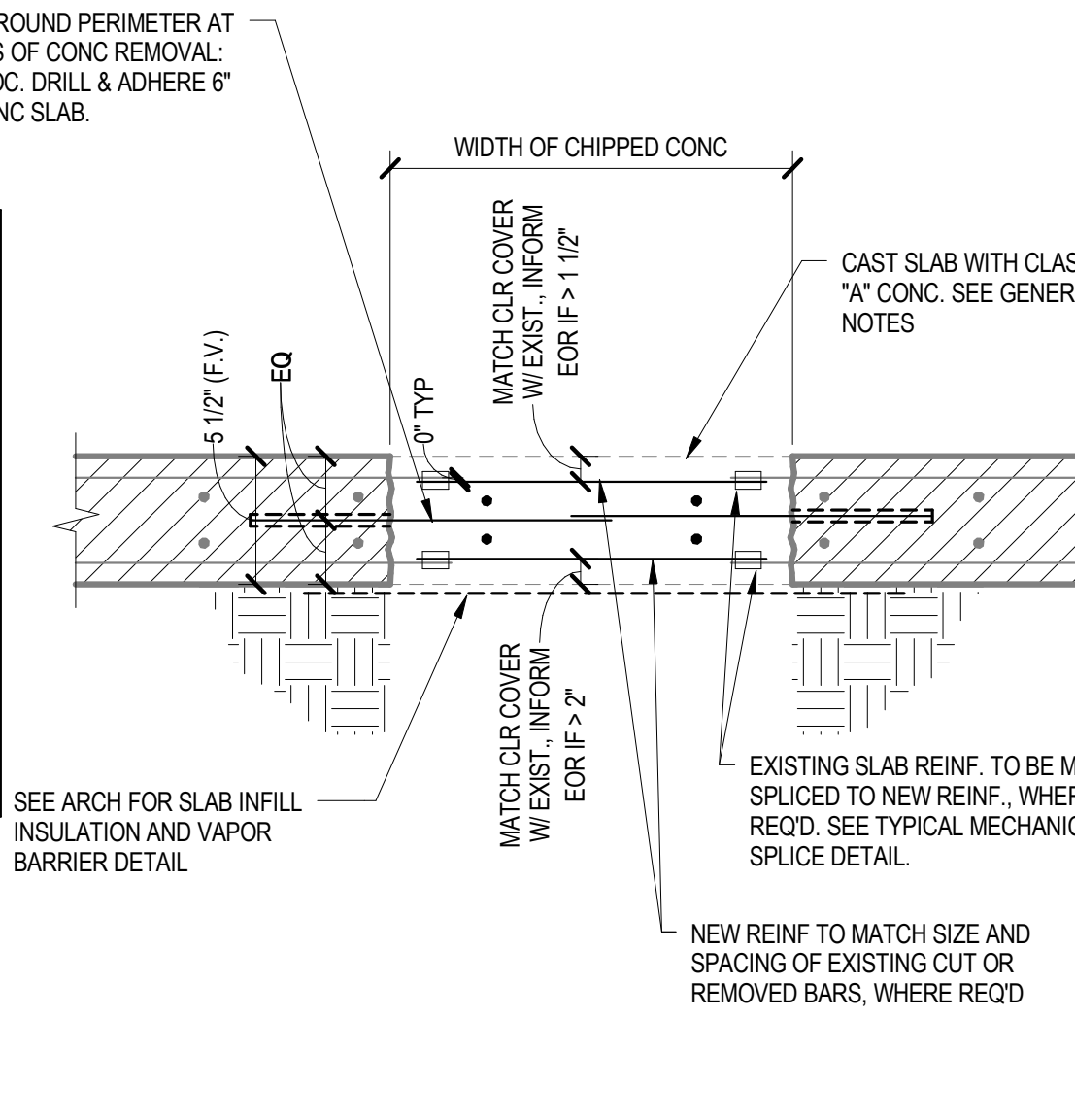
**12 TYPICAL TEMPORARY OPENING IN STRUCTURED SLAB**



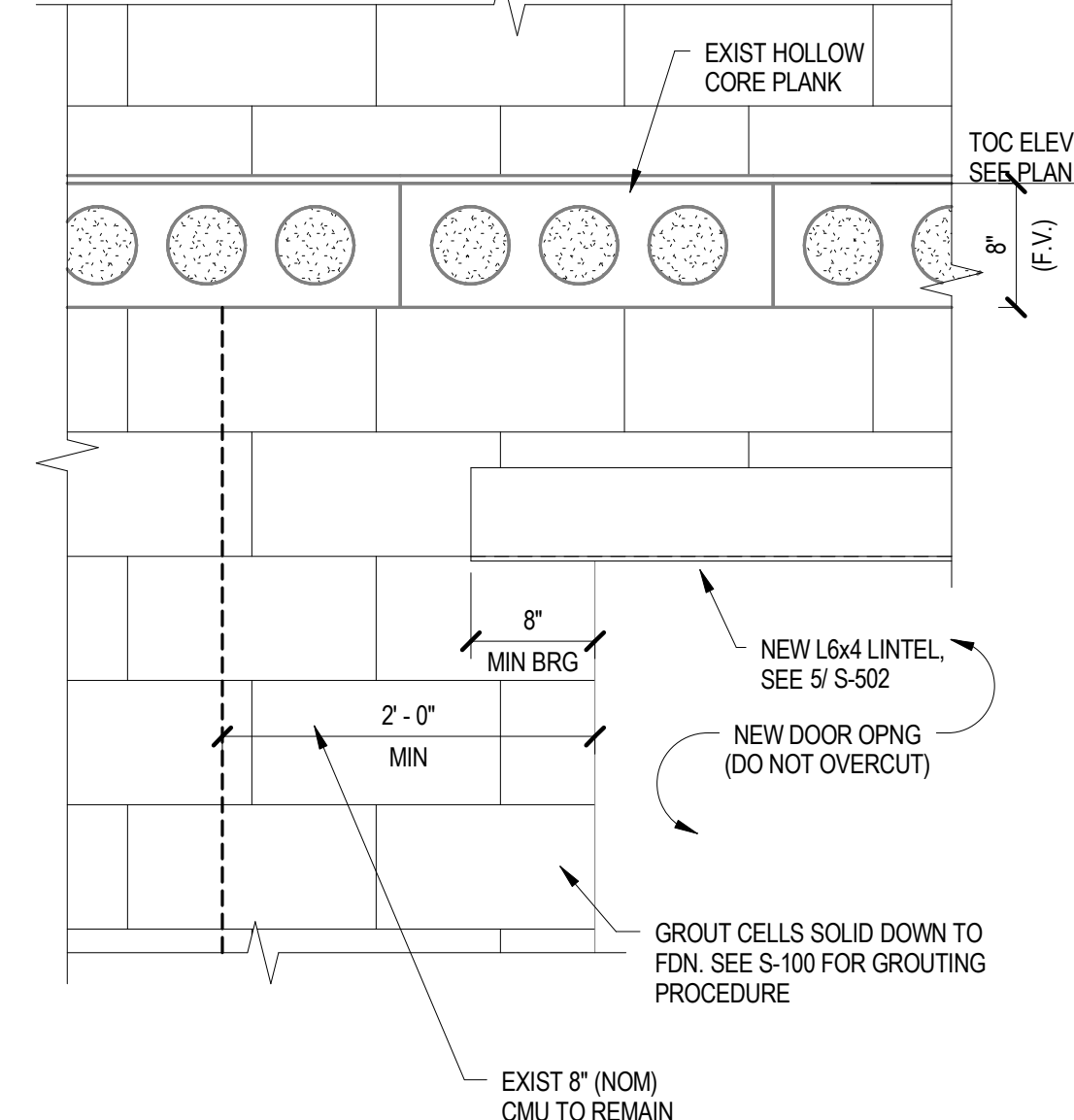
**3 MEP OPNGS THRU EXIST CMU WALL**



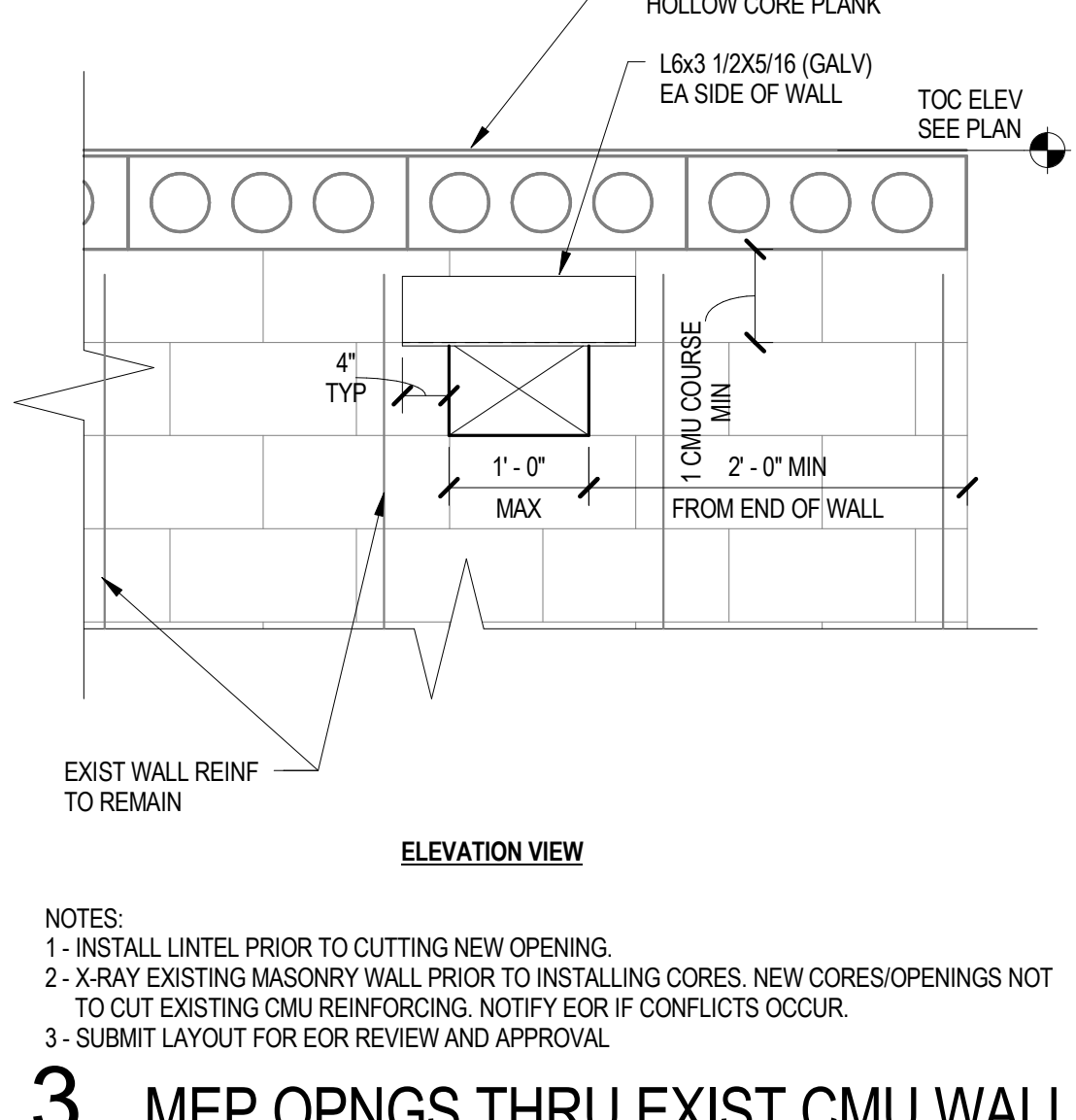
**14 CANOPY BASEPLATE**



**7**



**4**



**1**

Project:  
**LAQUINTA INNS & SUITES**  
**PORTLAND LaQUINTA INN & SUITES - LQ #2049 RENOVATION**  
 340 Park Ave, Portland, ME 04102  
 2049  
 Project Owner:  
**LQ MANAGEMENT, LLC**  
 909 HIDDEN RIDGE, SUITE 600 IRVING, TEXAS 75038  
 Architect:  
**BMA Architectural Group**  
 Professional Corporation  
 Architects ■ Designers ■ Planners  
 12 Middle Street  
 Amherst, New Hampshire 03031  
 TEL 603 673 1991 FAX 603 672 1385  
 www.bmaworld.com

Seal:  
 AARON ANDREW FORD  
 No. 12471  
 LICENSED PROFESSIONAL ENGINEER  
 6-25-17

**BMA COPYRIGHT:**  
 These plans are copyrighted and are subject to copyright protection as an "architectural work" under Sec. 102 of the Copyright Act, 17 U.S.O. as amended December 1990 and known as Architectural Works Copyright Protection Act of 1990. The protection includes but is not limited to the overall form as well as the arrangement and composition of spaces and elements of the design. Under such protection, unauthorized use of these plans, work or home represented, can legally result in the cessation of construction or buildings being seized and/or monetary compensation to BMA Architectural Group, P.C.

**REVISIONS**

NO.	DESCRIPTION

Job Number:	3044
Drawn By:	AN
Checked By:	AM
Phase:	CANOPY DOCUMENTS

Drawing Title:  
**DETAILS**

SHEET NUMBER:  
**S-502**  
 DATE: JUNE 30, 2017

**L.A. FUSS PARTNERS, INC.**  
 Structural Engineers  
 101 Federal Street, Suite 502 • Boston, MA 02101  
 617 948 5700 • www.lafp.com  
 LAFP PROJECT NO. 17044