

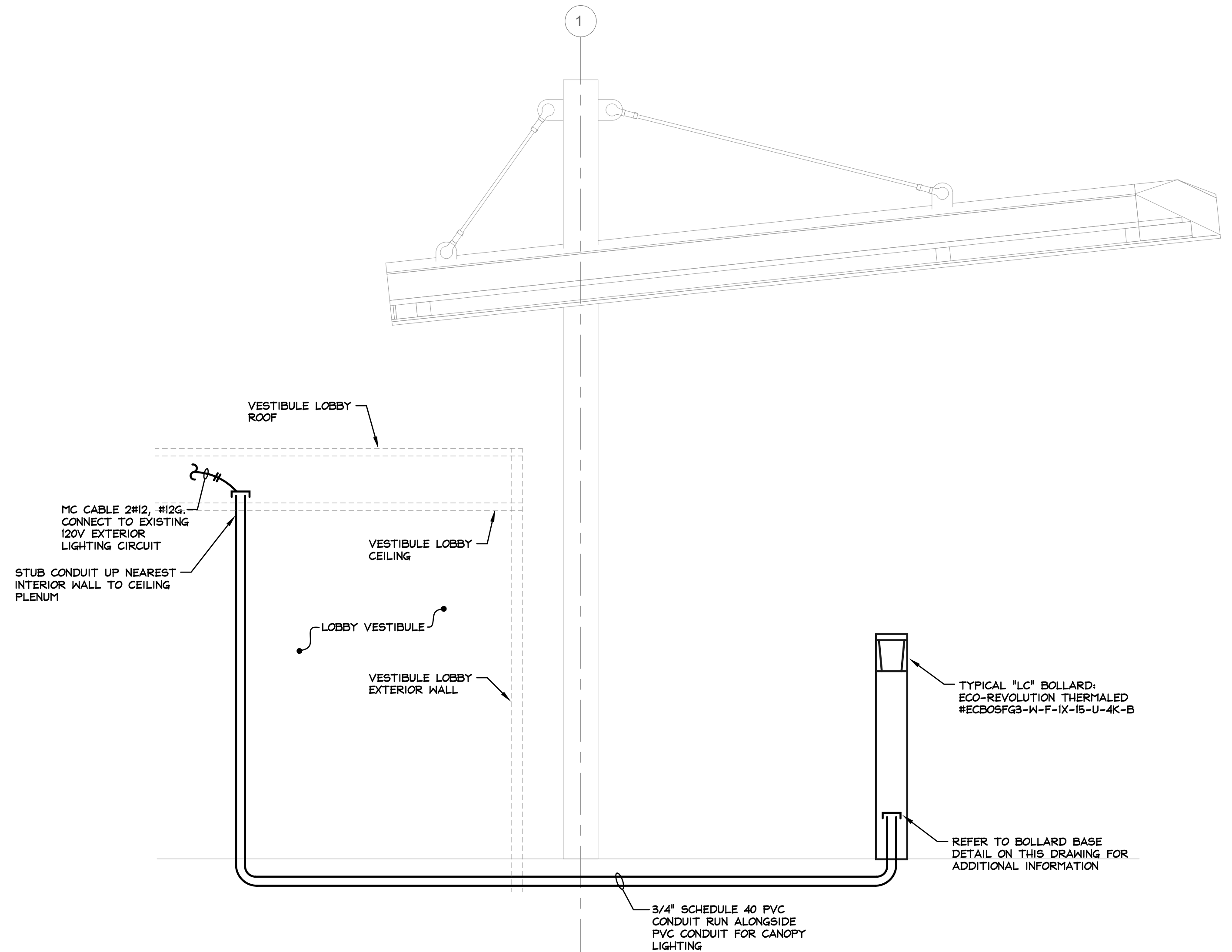
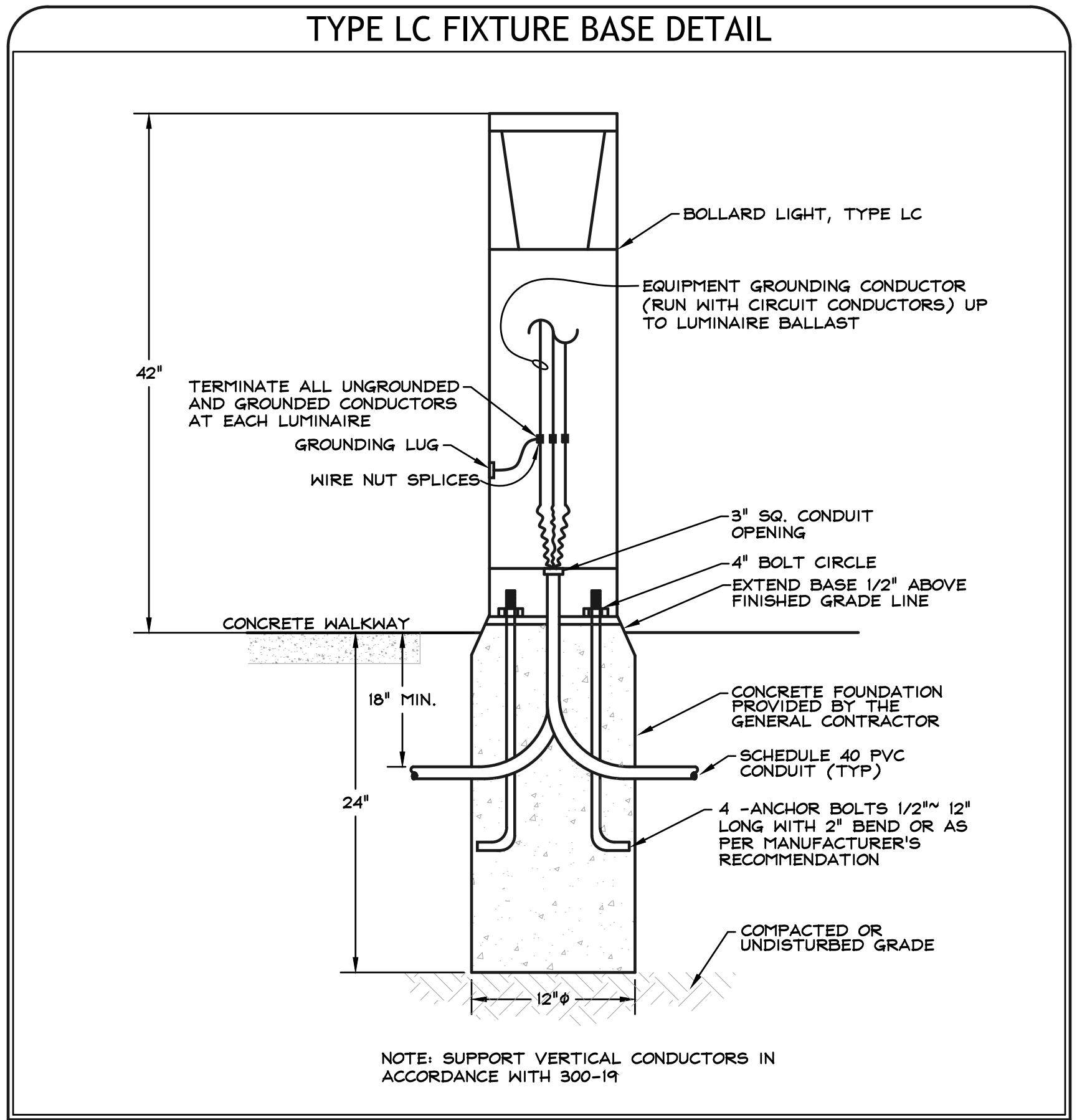
**REVISIONS**

NO.	DESCRIPTION

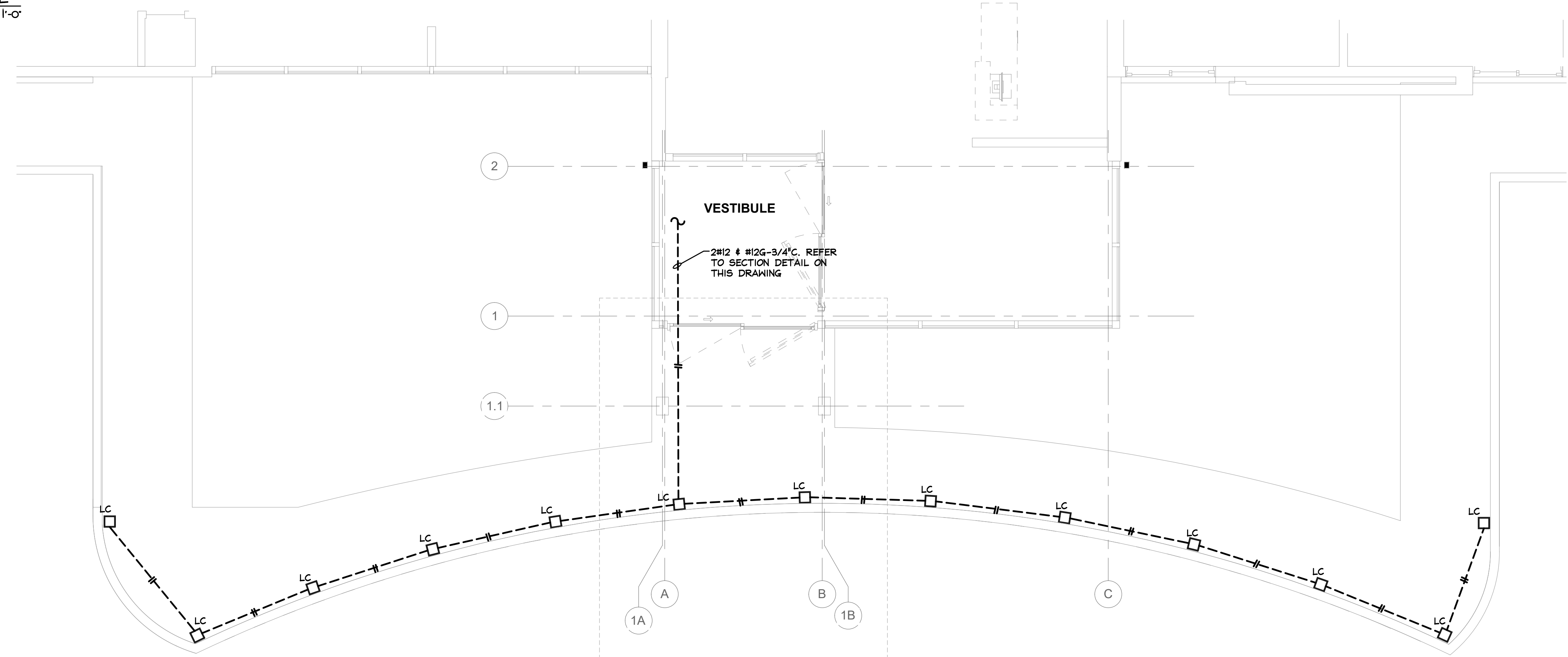
Job Number:	216266
Drawn By:	BL
Checked By:	RFQ/JH
Phase:	PROGRESS SET

Drawing Title:  
**ENTRANCE BOLLARD LIGHTING PLAN**

SHEET NUMBER:  
**E1.5**  
 DATE: 30 JUNE 2017



**SECTION DETAIL**  
 1/4" = 1'-0"



**ENTRANCE PLAN VIEW**  
 1/4" = 1'-0"