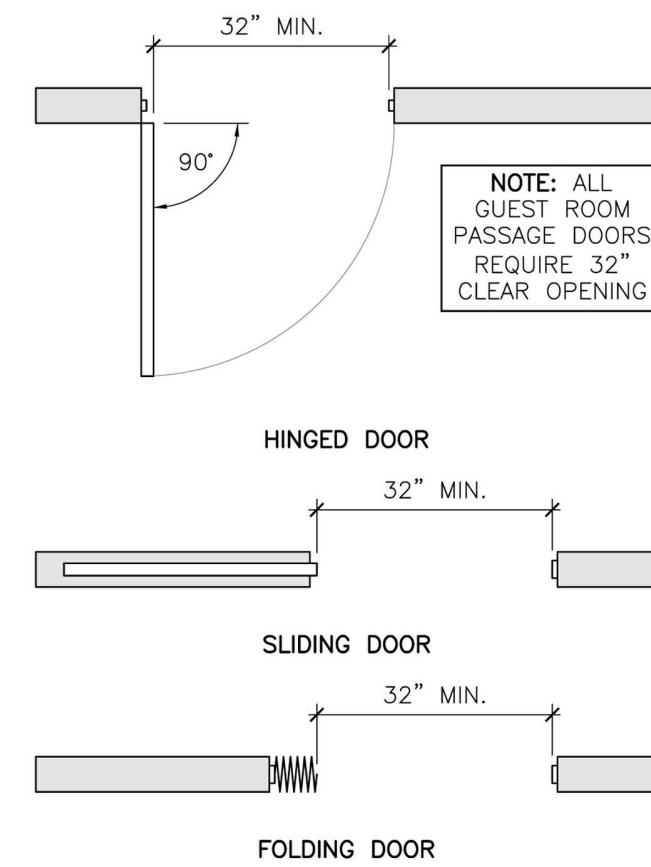


NOTES:

- CHARACTERS SHALL BE 48 INCHES MINIMUM AND 60 INCHES MAXIMUM ABOVE THE FLOOR OR GROUND SURFACE, MEASURED TO THE BASELINE OF THE CHARACTERS.
- WHERE A SIGN CONTAINING TACTILE CHARACTERS IS PROVIDED AT A DOOR, THE SIGN SHALL BE ALONGSIDE THE DOOR ON THE LATCH SIDE. WHERE A TACTILE SIGN IS PROVIDED AT DOUBLE DOORS, THE SIGN SHALL BE TO THE RIGHT OF THE RIGHT-HAND DOOR, WHERE THERE IS NO WALL SPACE ON THE LATCH SIDE OF A SINGLE DOOR, OR TO THE RIGHT SIDE OF DOUBLE DOORS, SIGNS SHALL BE ON THE NEAREST ADJACENT WALL. SIGNS CONTAINING TACTILE CHARACTERS SHALL HAVE AN 18" MIN. BY 18" MIN. SPACE ON THE FLOOR, CENTERED ON THE SIGN, BEYOND THE ARC OF ANY DOOR SWING BETWEEN THE CLOSED POSITION AND 45 DEGREE OPEN POSITION.
- DOOR-MOUNTED SIGNS SHALL BE PERMITTED ON THE PUSH SIDE OF DOORS WITH CLOSERS AND WITHOUT HOLD-OPEN DEVICES.
- REFER TO SECTION 703 OF THE 2010 ADA STANDARDS FOR REQUIREMENTS OF TACTILE CHARACTERS, VISUAL CHARACTERS, AND PICTOGRAMS.

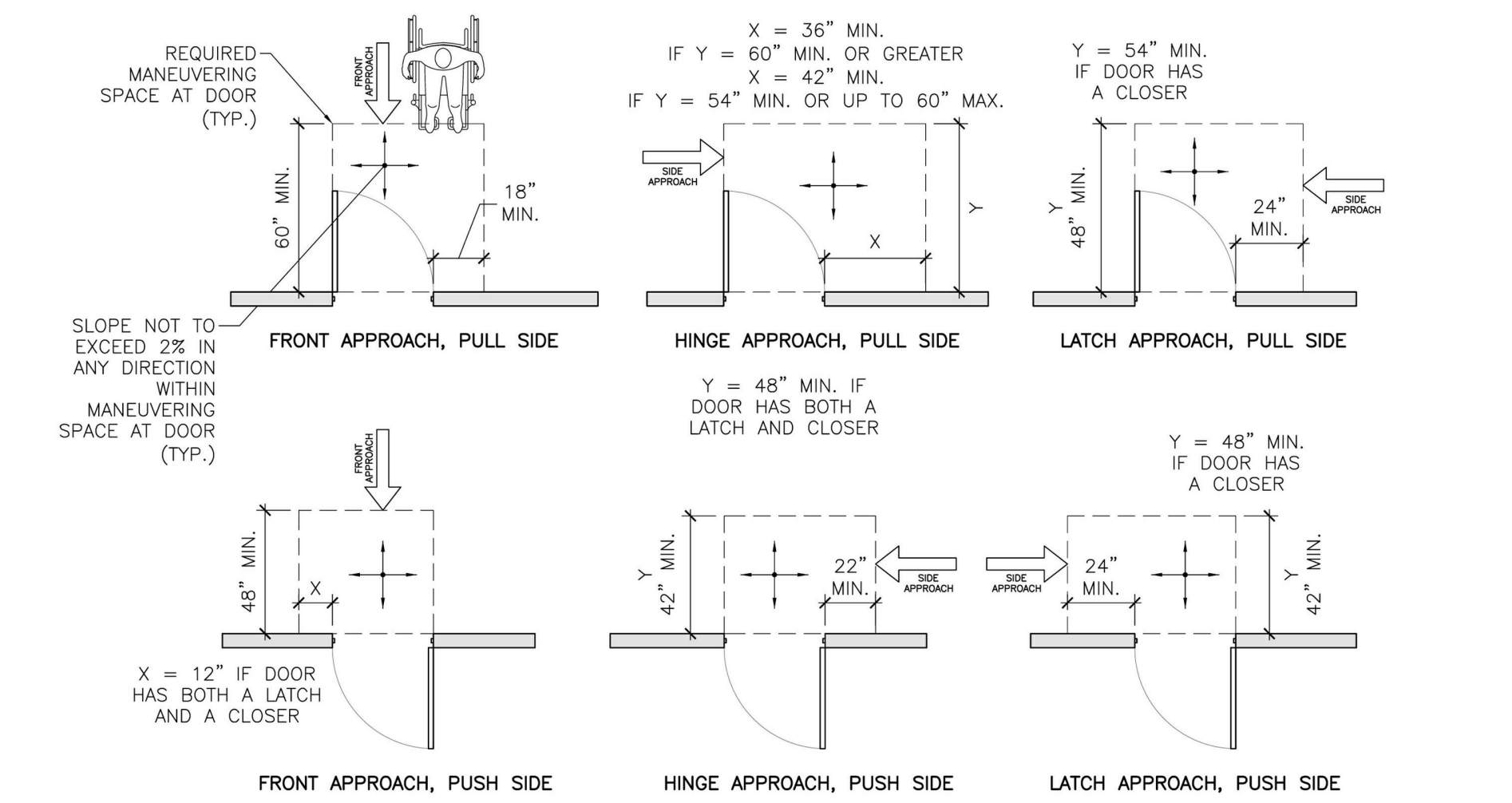
1 ACCESSIBLE ROOM IDENTIFICATION SIGNAGE DETAIL NOT TO SCALE



NOTES:

- OPENINGS MORE THAN 24" DEEP SHALL PROVIDE A CLEAR OPENING OF 36" MINIMUM.
- THERE SHALL BE NO PROJECTIONS INTO THE REQUIRED CLEAR OPENING WIDTH LOWER THAN 34" ABOVE THE FINISH FLOOR OR GROUND. PROJECTIONS INTO THE CLEAR OPENING WIDTH BETWEEN 34" AND 80" ABOVE THE FINISH FLOOR OR GROUND SHALL NOT EXCEED 4".

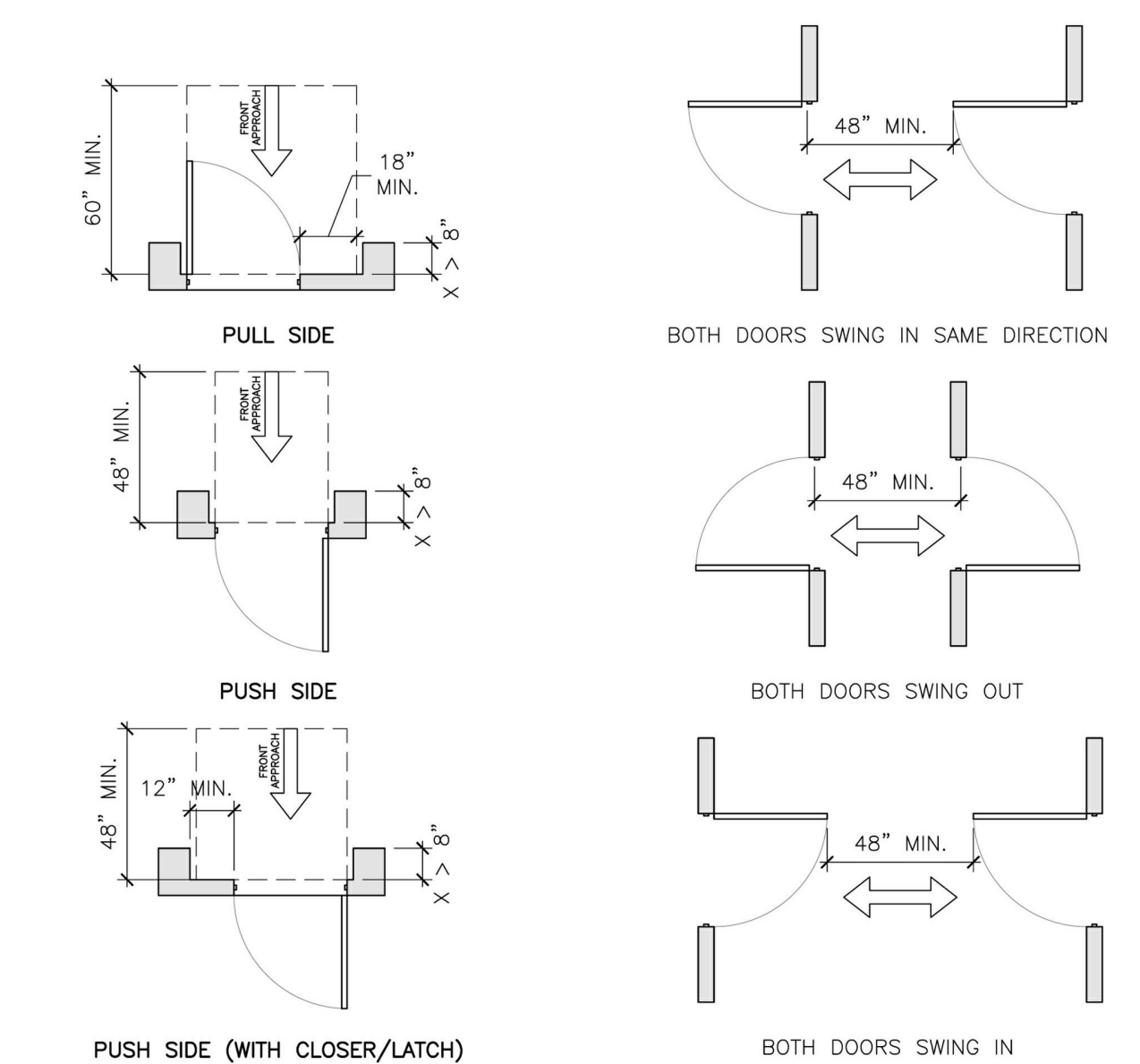
2 CLEAR OPENING AT ACCESSIBLE DOORS/GATES DETAIL NOT TO SCALE



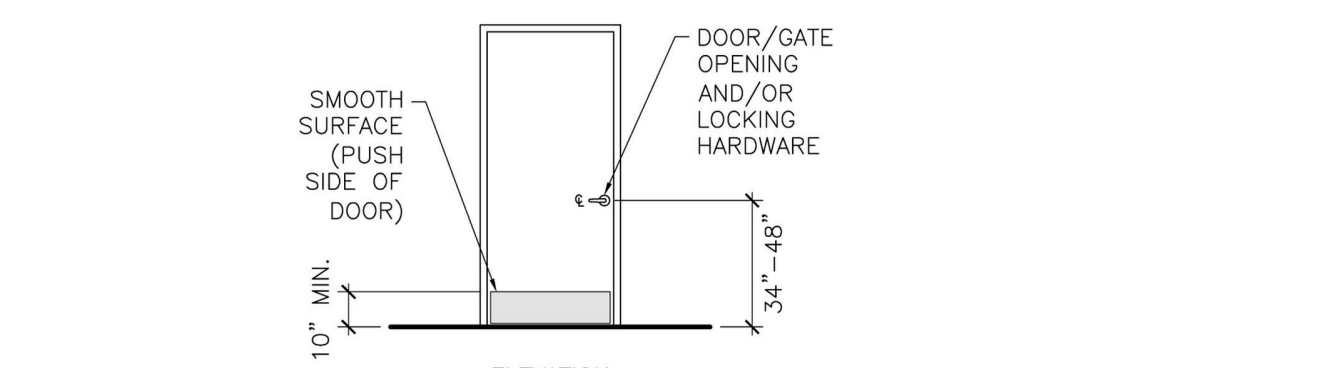
NOTES:

- MANEUVERING CLEARANCES FOR FORWARD APPROACH SHALL BE PROVIDED WHEN ANY OBSTRUCTION WITHIN 18" OF THE LATCH SIDE OF A DOORWAY PROJECTS MORE THAN 8" BEYOND THE FACE OF THE DOOR, MEASURED PERPENDICULAR TO THE FACE OF THE DOOR OR GATE. REFER TO DETAIL 4/2.0.
- THE FLOOR OR GROUND SURFACE WITHIN THE REQUIRED MANEUVERING CLEARANCES SHALL SLOPE NO MORE THAN 1:48 (2%) AND CHANGES IN LEVEL WITHIN THIS AREA ARE NOT PERMITTED.

3 REQUIRED DOOR MANEUVERING CLEARANCES AT ACCESSIBLE DOORS/GATES NOT TO SCALE



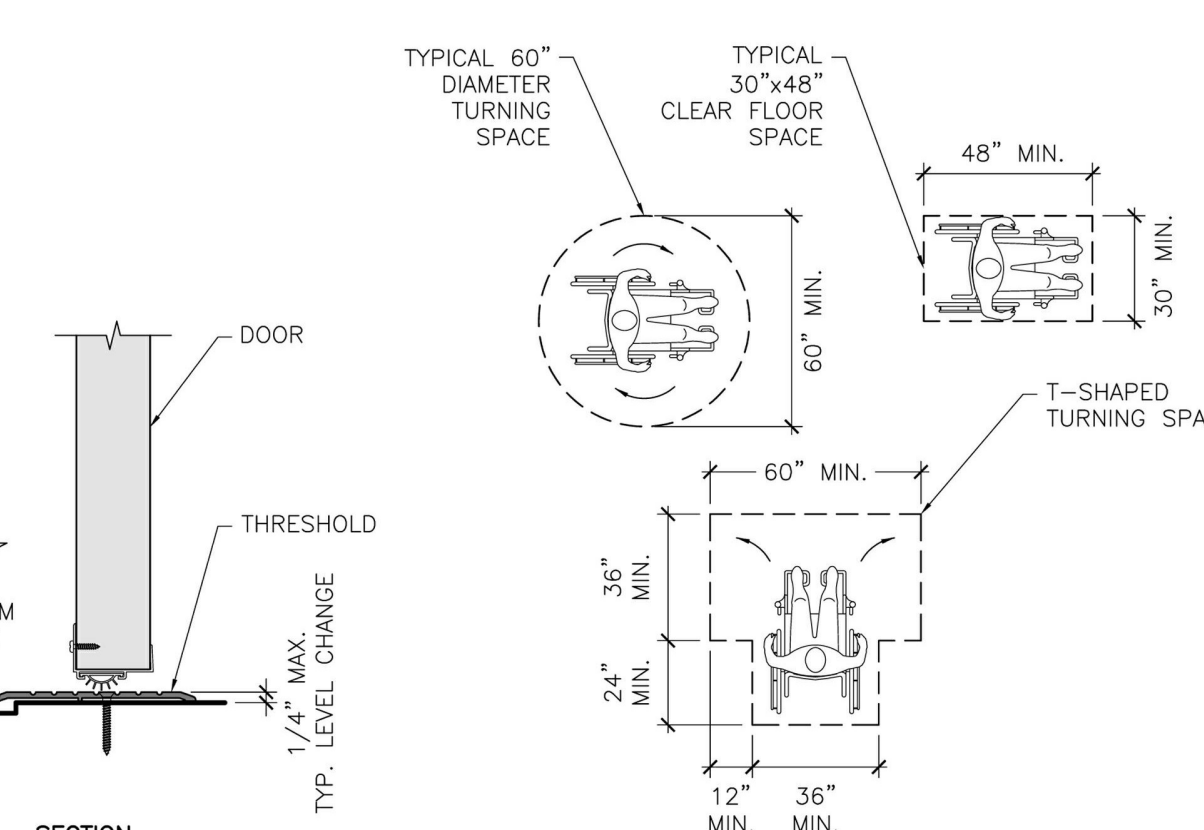
4 MANEUVERING CLEARANCE AT RECESSED DOORS DETAIL NOT TO SCALE



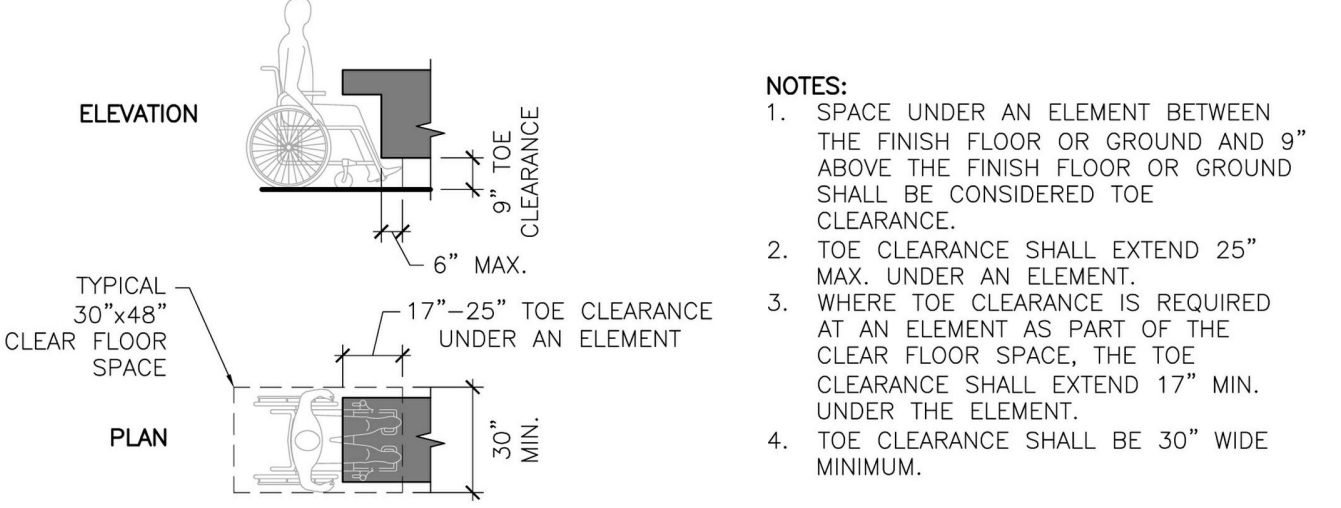
NOTES:

- HANDLES, PULLS, LATCHES, LOCKS, AND OTHER OPERABLE PARTS ON ACCESSIBLE DOORS SHALL HAVE A SHAPE THAT IS EASY TO GRIP WITH ONE HAND AND DOES NOT REQUIRE TIGHT GRASPING, PINCHING, OR TWISTING OF THE WRIST TO OPERATE. SUCH HARDWARE SHALL BE 34 INCHES MINIMUM AND 48 INCHES MAXIMUM ABOVE THE FLOOR OR GROUND, WHERE SLIDING DOORS ARE IN THE FULLY OPEN POSITION, OPERATING HARDWARE SHALL BE EXPOSED AND USABLE FROM BOTH SIDES.
- DOOR CLOSERS SHALL BE ADJUSTED SO THAT FROM AN OPEN POSITION OF 90 DEGREES, THE TIME REQUIRED TO MOVE THE DOOR TO AN OPEN POSITION OF 12 DEGREES SHALL BE 5 SECONDS MINIMUM.
- DOOR SPRING HINGES SHALL BE ADJUSTED SO THAT FROM THE OPEN POSITION OF 70 DEGREES, THE DOOR SHALL MOVE TO THE CLOSED POSITION IN 1.5 SECONDS MINIMUM, MEASURED UNDER AMBIENT CONDITIONS.
- FIRE DOORS SHALL HAVE THE MINIMUM OPENING FORCE ALLOWED BY THE APPROPRIATE ADMINISTRATIVE AUTHORITY. THE MAXIMUM FORCE FOR PUSHING OPEN OR PULLING OPEN DOORS OTHER THAN FIRE DOORS SHALL BE AS FOLLOWS:
 - INTERIOR HINGED DOOR: 5.0 POUNDS.
 - SLIDING OR FOLDING DOOR: 5.0 POUNDS.
 THESE FORCES DO NOT APPLY TO THE FORCE REQUIRED TO RETRACT LATCH BOLTS OR DISENGAGE OTHER DEVICES THAT HOLD THE DOOR IN A CLOSED POSITION.
- DOOR SURFACES WITHIN 10 INCHES OF THE FLOOR OR GROUND MEASURED VERTICALLY SHALL BE A SMOOTH SURFACE ON THE PUSH SIDE EXTENDING THE FULL WIDTH OF THE DOOR. PARTS CREATING HORIZONTAL OR VERTICAL JOINTS IN SUCH SURFACE SHALL BE WITHIN 1/16 INCH OF THE SAME PLANE AS THE OTHER. CAVITIES CREATED BY ADDED KICK PLATES SHALL BE CAPPED.

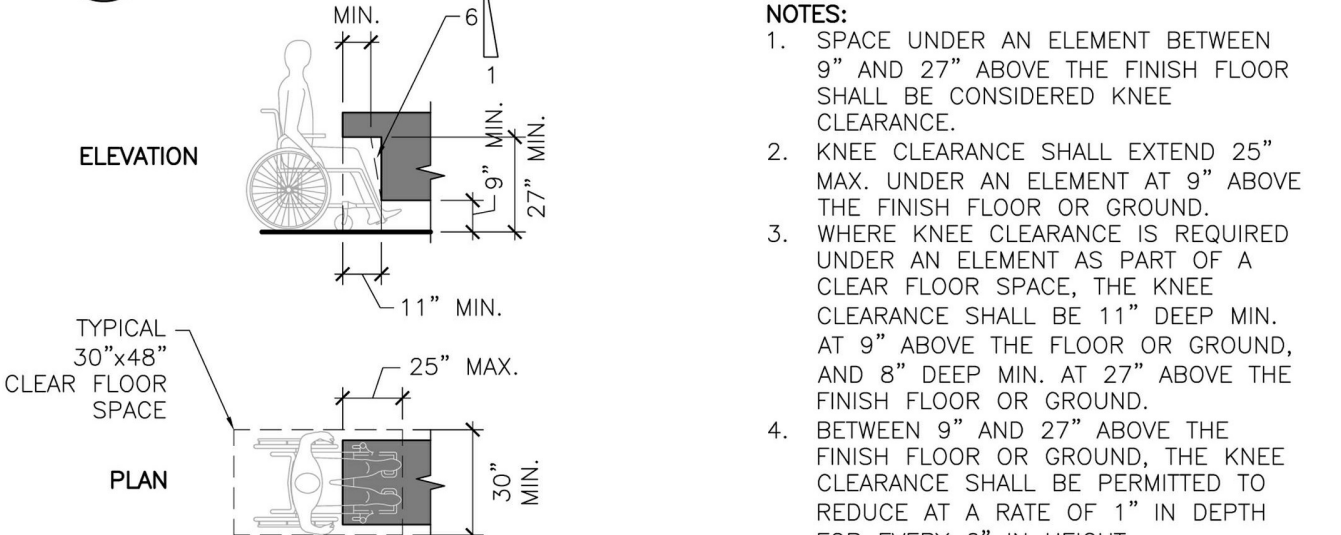
6 ACCESSIBLE DOOR & GATE HARDWARE DETAIL NOT TO SCALE



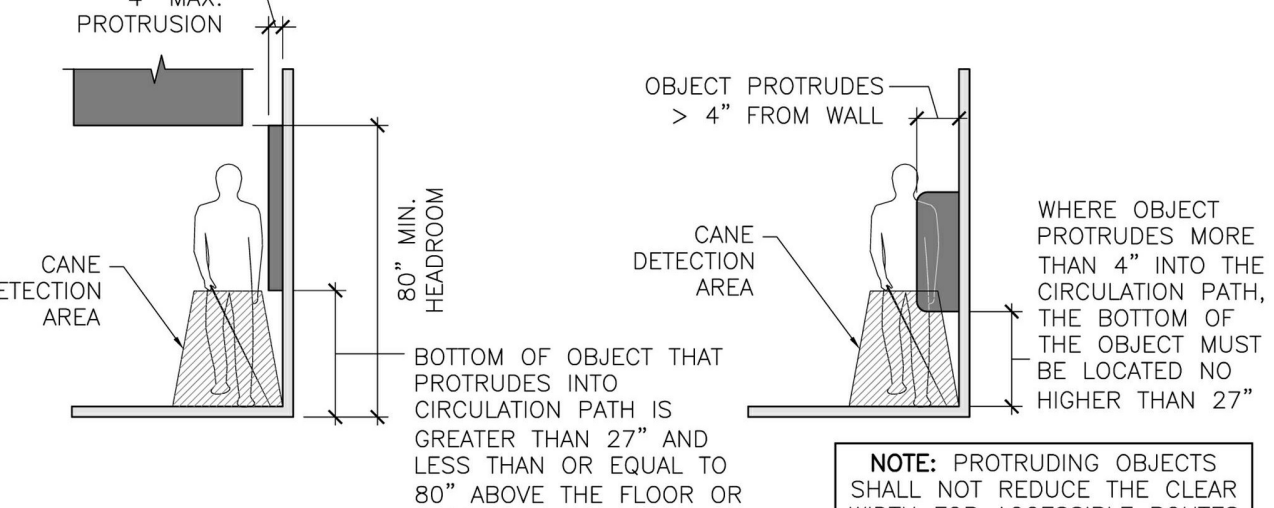
7 ACCESSIBLE DOOR THRESHOLD DETAIL NOT TO SCALE



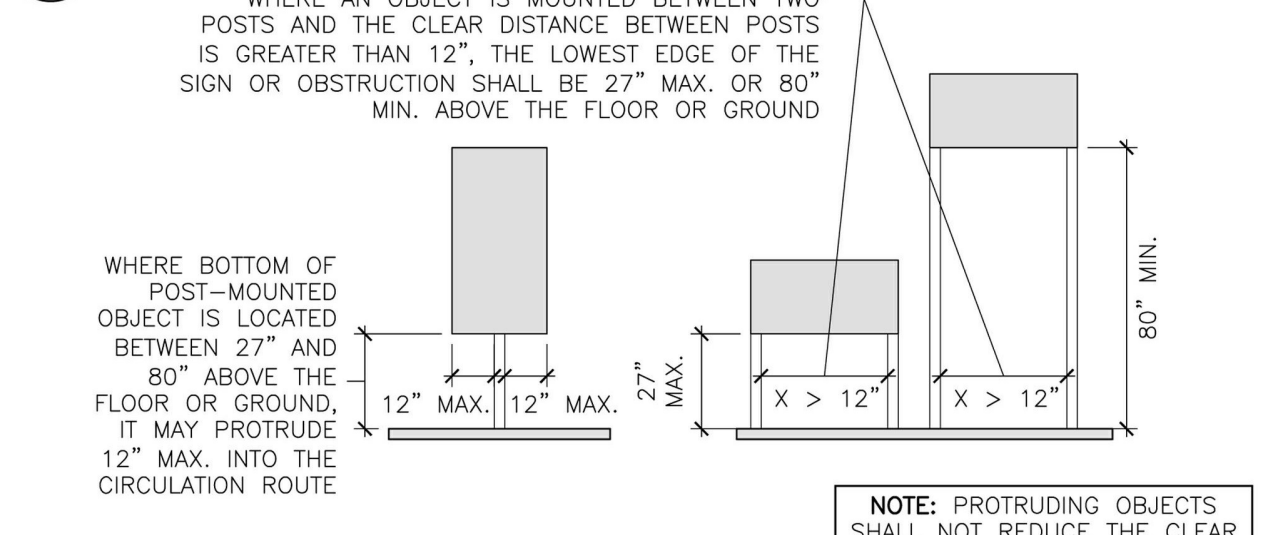
9 TOE CLEARANCE DETAIL NOT TO SCALE



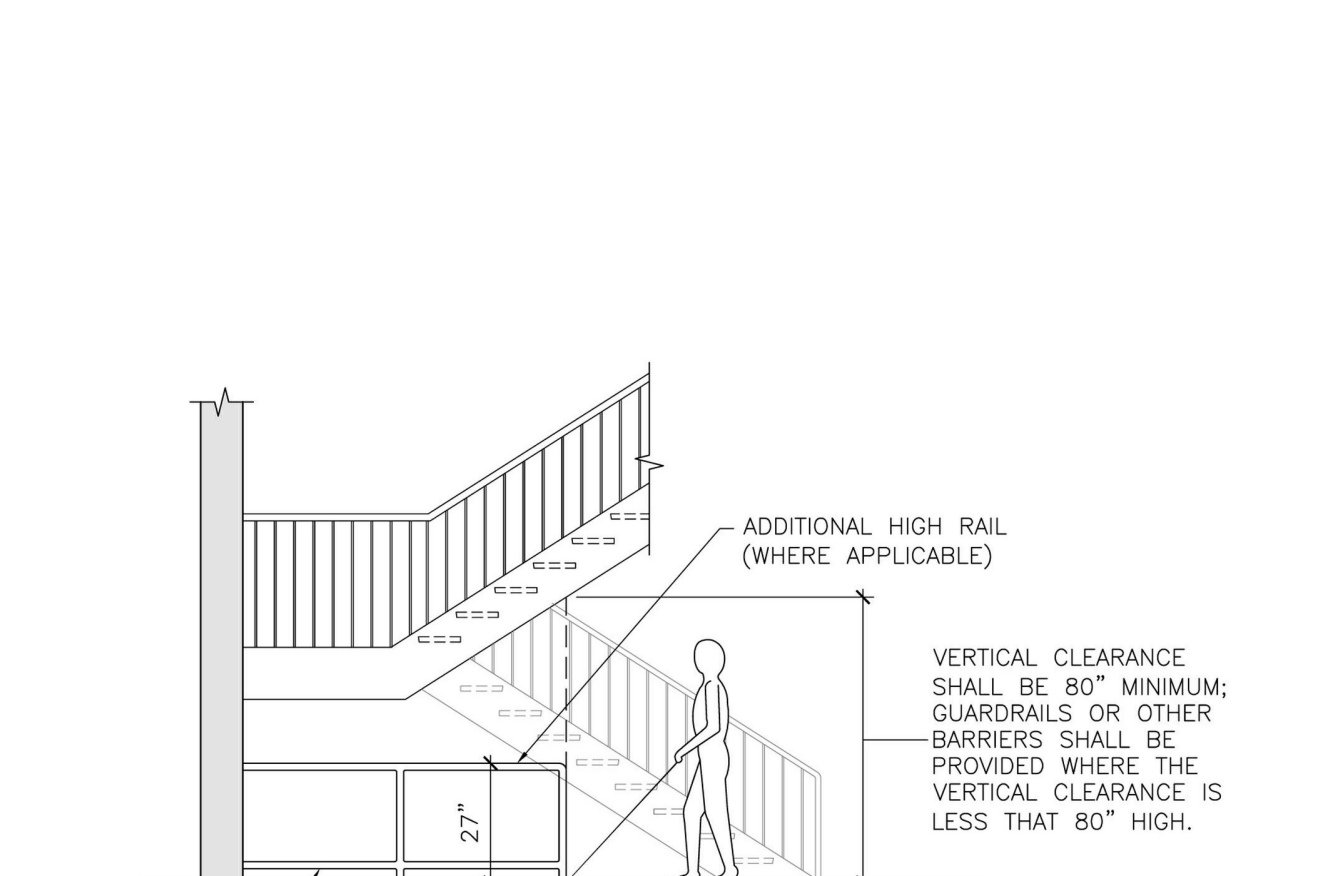
10 KNEE CLEARANCE DETAIL NOT TO SCALE



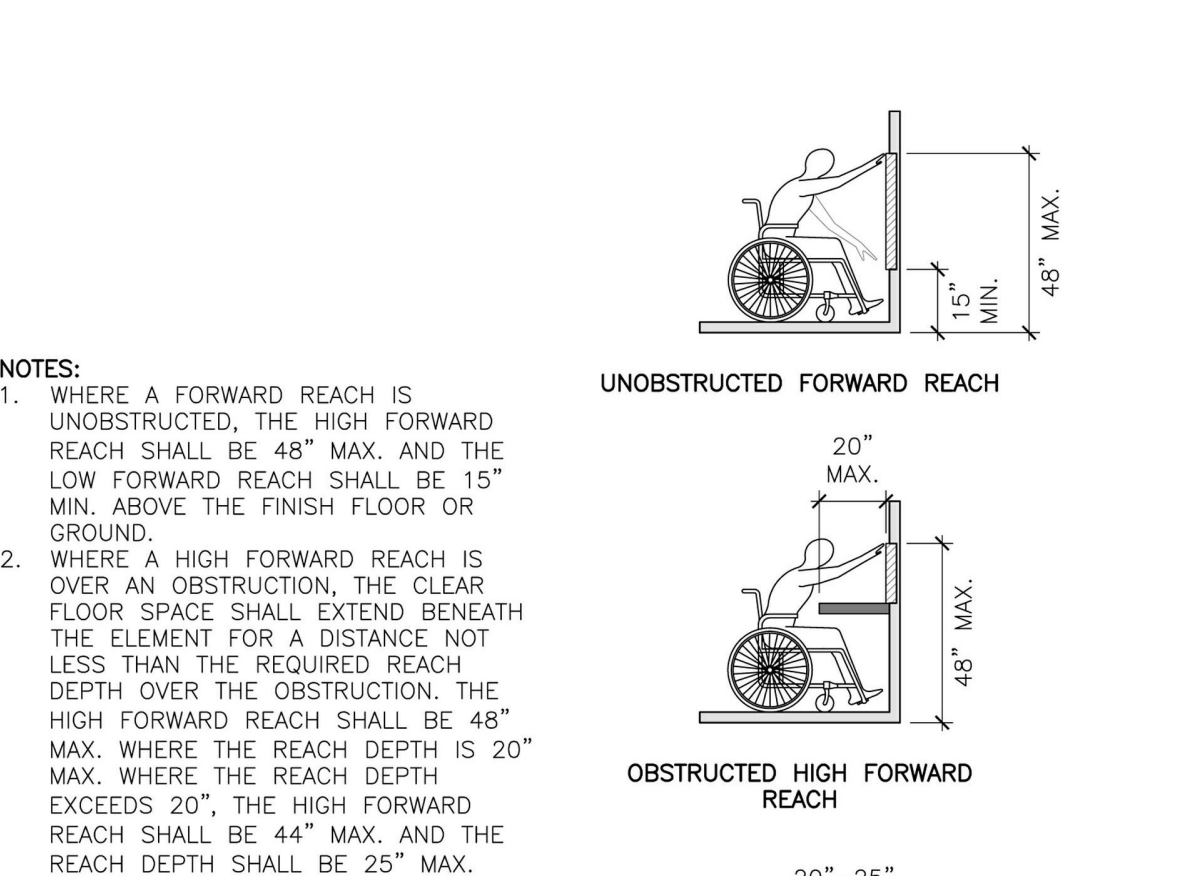
11 PROTRUDING OBJECTS DETAIL NOT TO SCALE



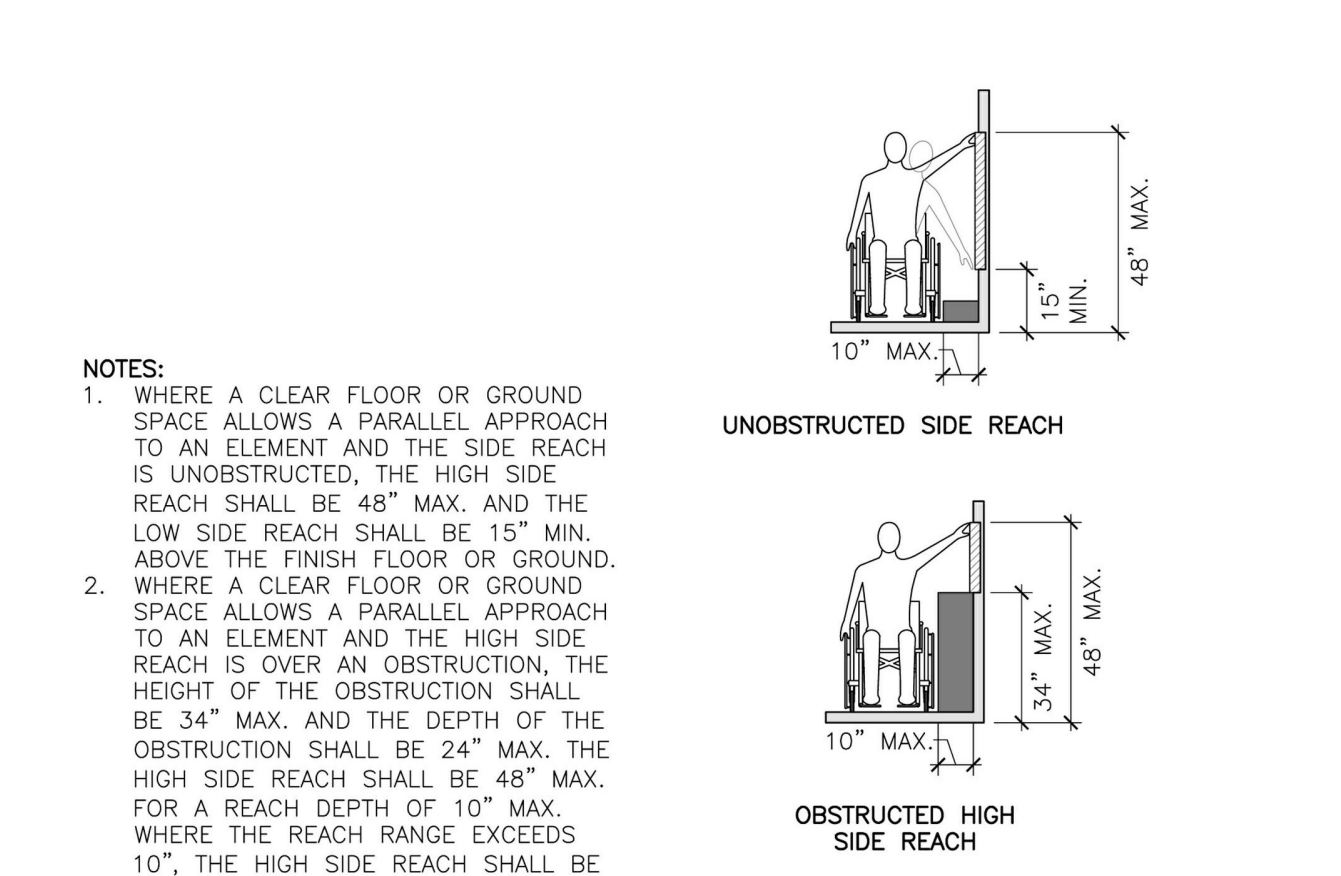
12 POST-MOUNTED PROTRUDING OBJECTS DETAIL NOT TO SCALE



13 VERTICAL CLEARANCE DETAIL NOT TO SCALE



14 FORWARD REACH DETAIL



15 SIDE REACH DETAIL

Project:

PORTLAND, ME LQ #2049 RENOVATION
 340 Park Avenue, Portland, ME 04102

Project Owner:
LQ MANAGEMENT, LLC
 909 HIDDEN RIDGE, SUITE 600 IRVING, TEXAS 75038

Architect:

 Professional Corporation
BMA Architectural Group
 Architects ■ Designers ■ Planners
 12 Middle Street
 Amherst, New Hampshire 03031
 TEL 603 673 1991 FAX 603 672 1385
 www.bmaworld.com

Seal:

BMA COPYRIGHT:
 These plans are copyrighted and are subject to copyright protection as an "architectural work" under Sec. 102 of the Copyright Act, 17 U.S.O. as amended December 1990 and known as Architectural Works Copyright Protection Act of 1990. The protection includes but is not limited to the overall form as well as the arrangement and composition of spaces and elements of the design. Under such protection, unauthorized use of these plans, work or home represented, can legally result in the cessation of construction or buildings being seized and/or monetary compensation to BMA, P.C.

REVISIONS

NO.	DESCRIPTION

Job Number:	3039
Drawn By:	Author
Checked By:	RKB
Phase:	CANOPY DOCUMENTS

Drawing Title:
GENERAL ACCESSIBILITY GUIDELINES

SHEET NUMBER:
G-003
 DATE: 30 JUNE, 2017