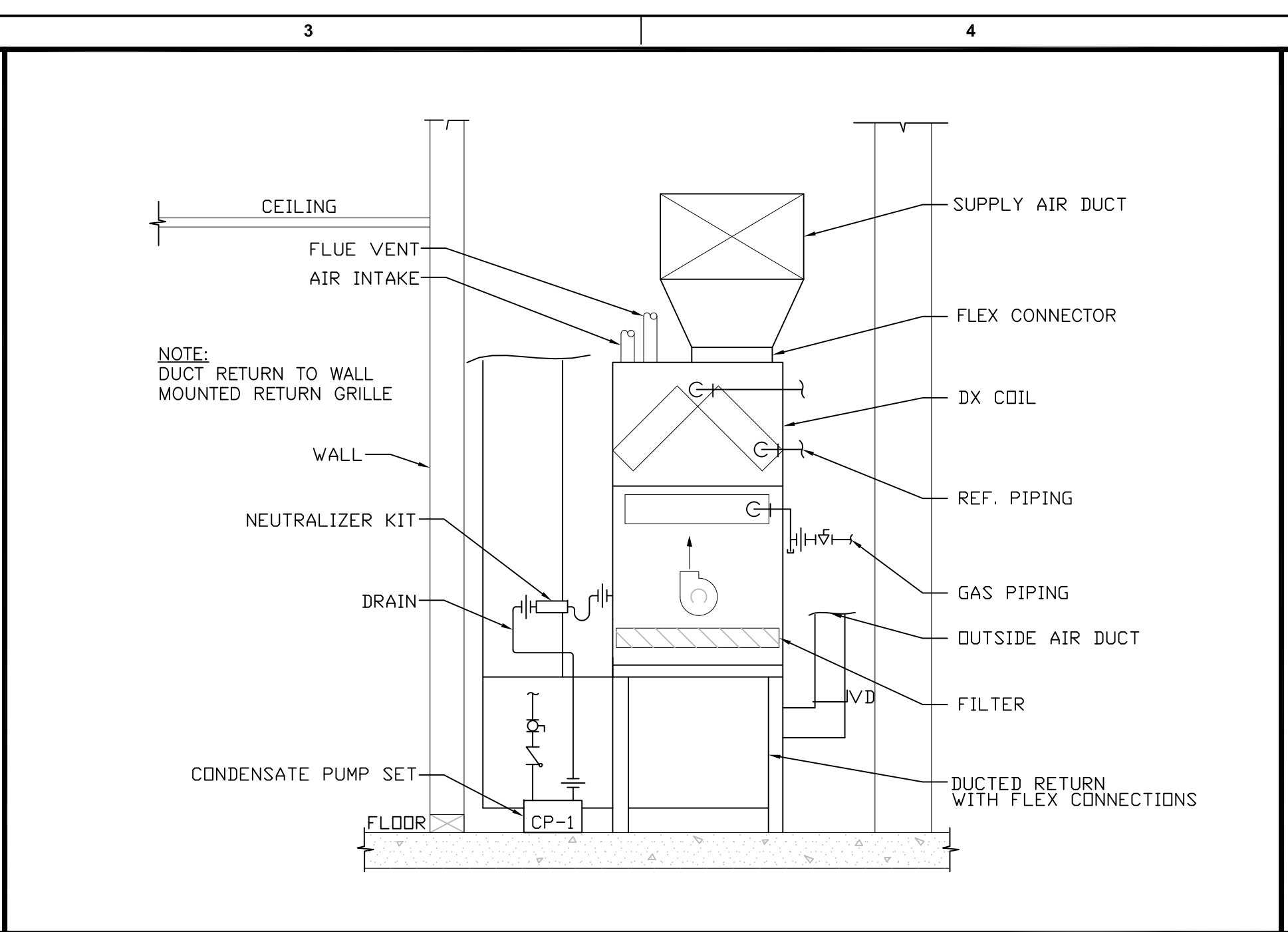


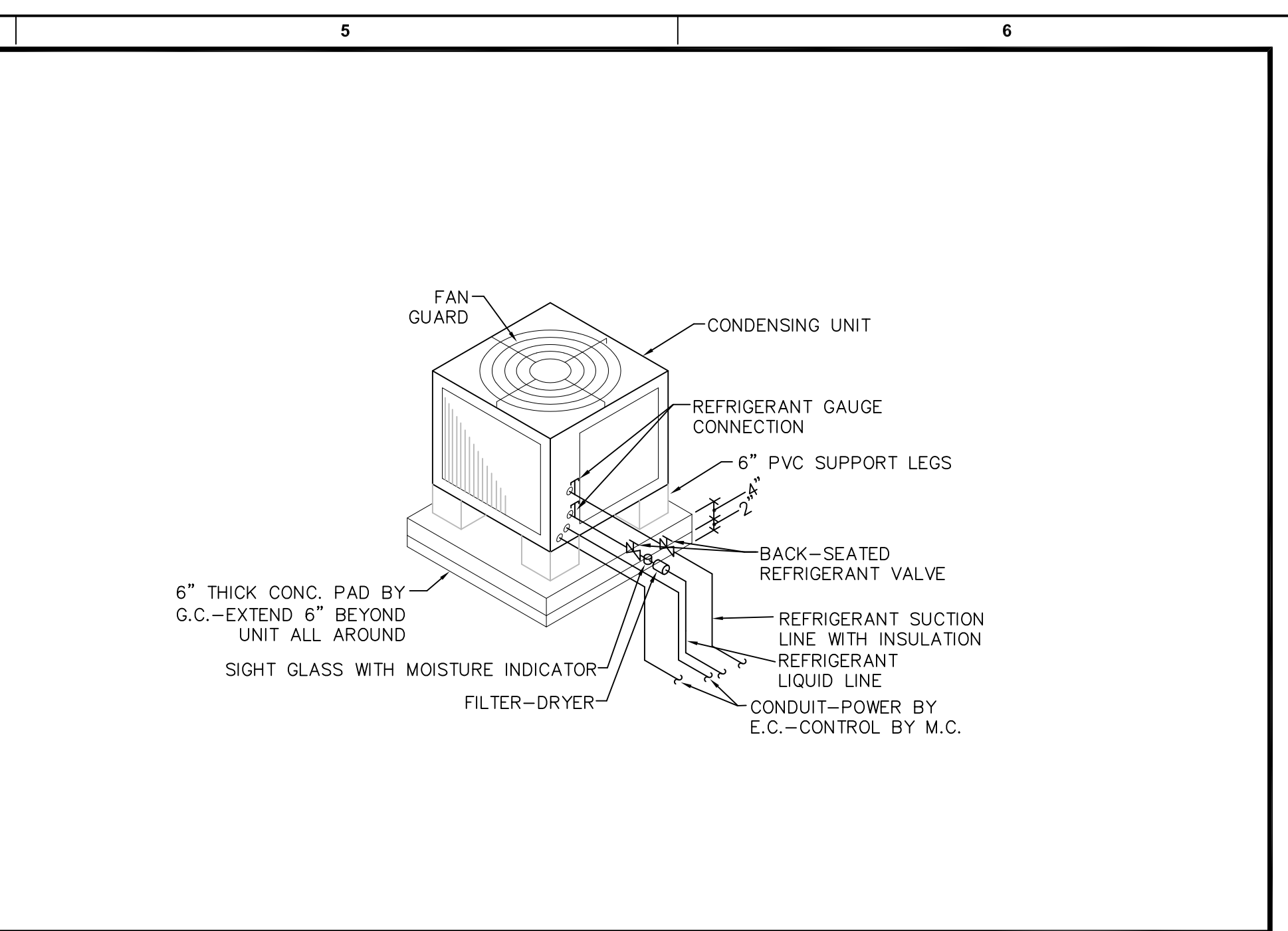
**FIRE DAMPER VERTICAL INSTALLATION DETAIL**

NTS



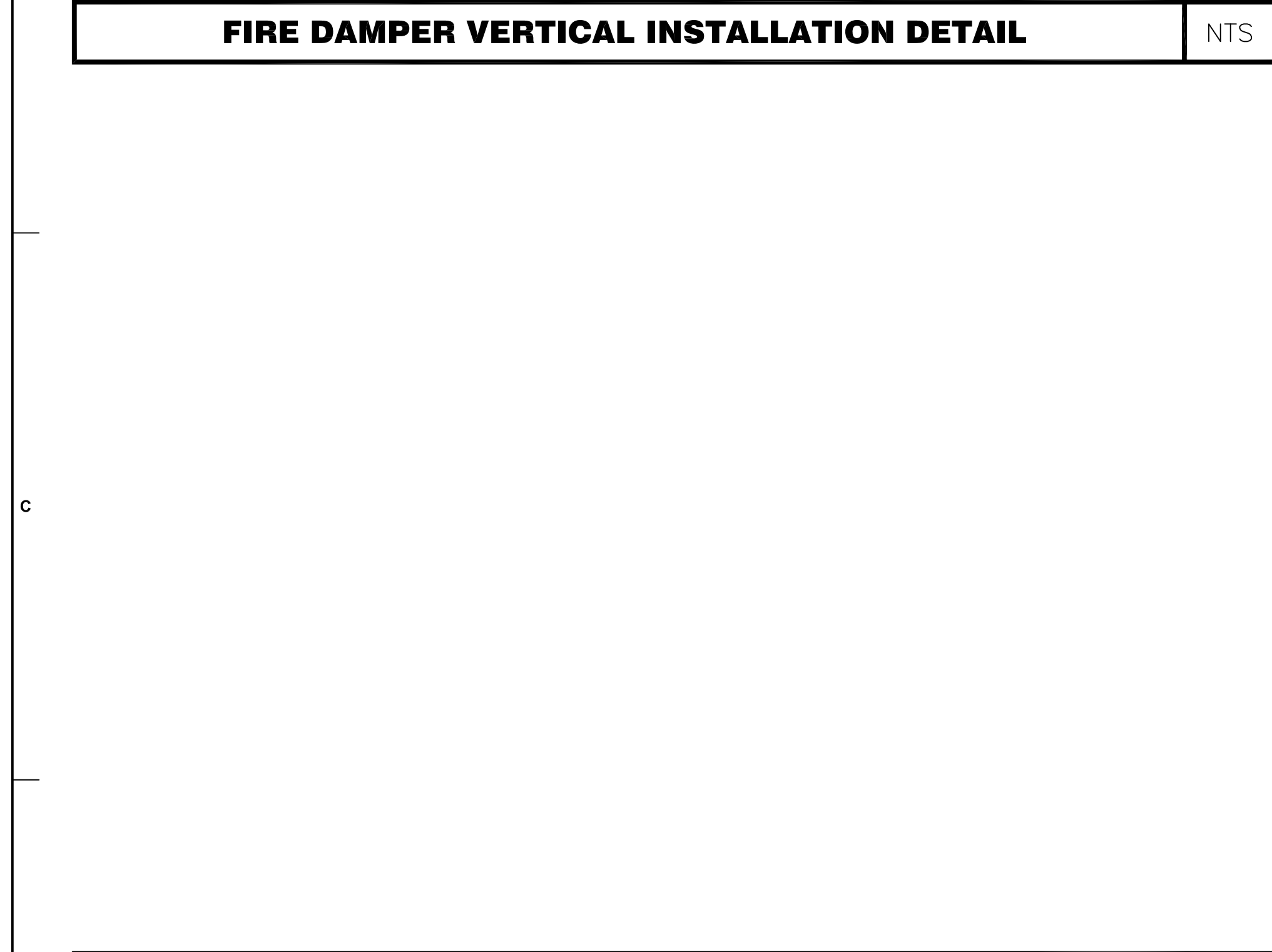
**VERTICAL AIR HANDLING UNIT DETAIL**

NTS



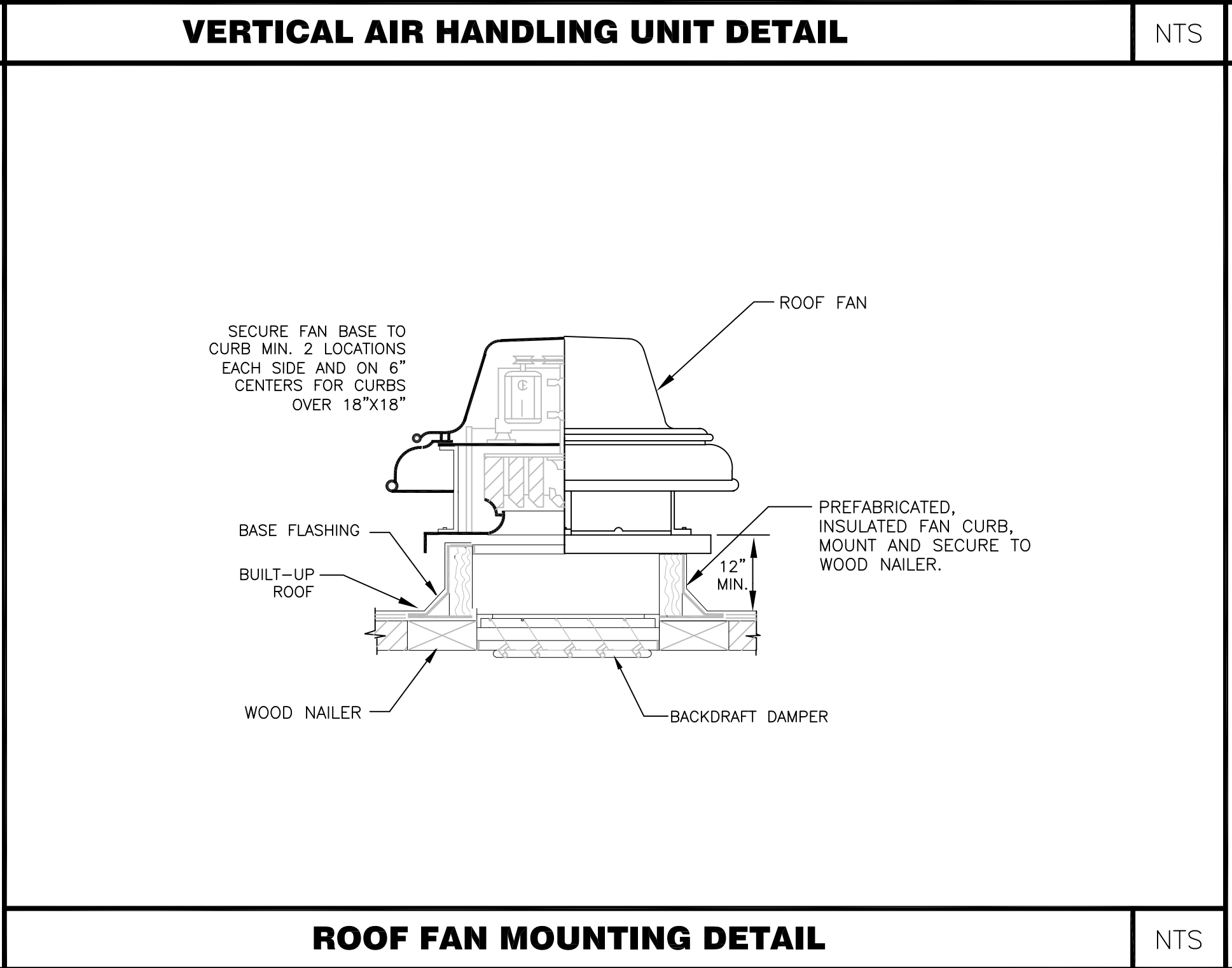
**SLAB MOUNTED AIR COOLED CONDENSING UNIT DETAIL**

NTS



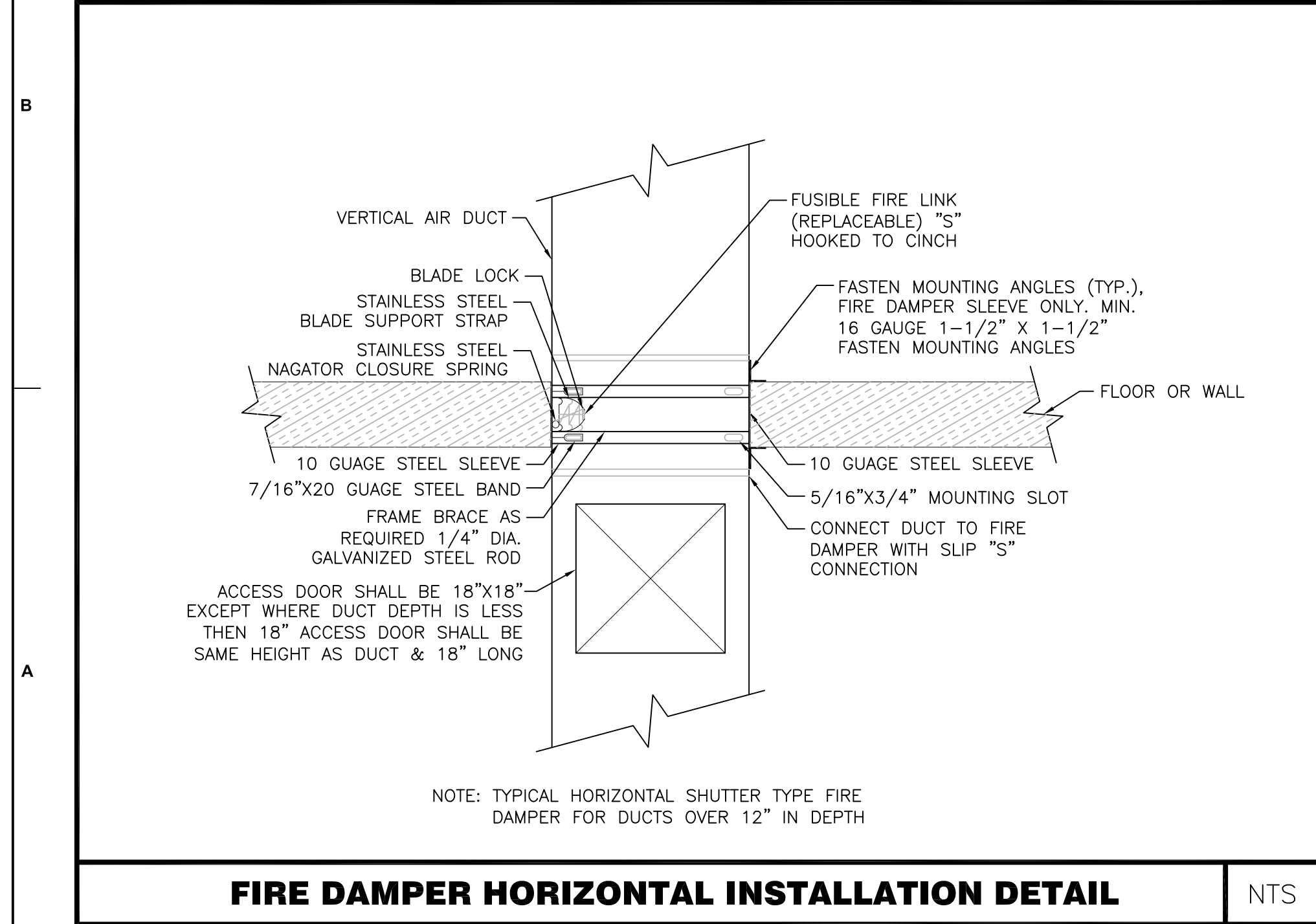
**FIRE DAMPER HORIZONTAL INSTALLATION DETAIL**

NTS



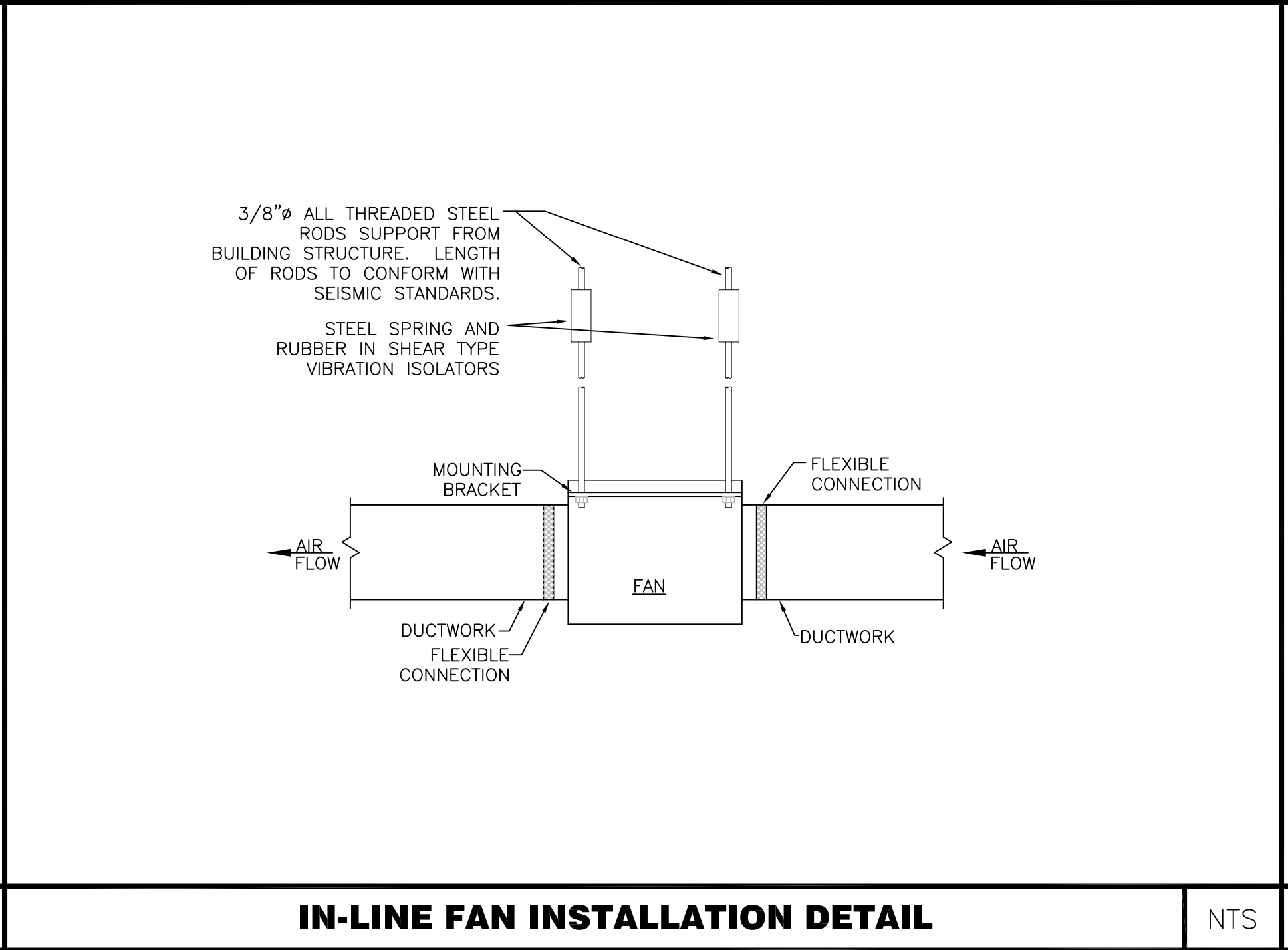
**ROOF FAN MOUNTING DETAIL**

NTS



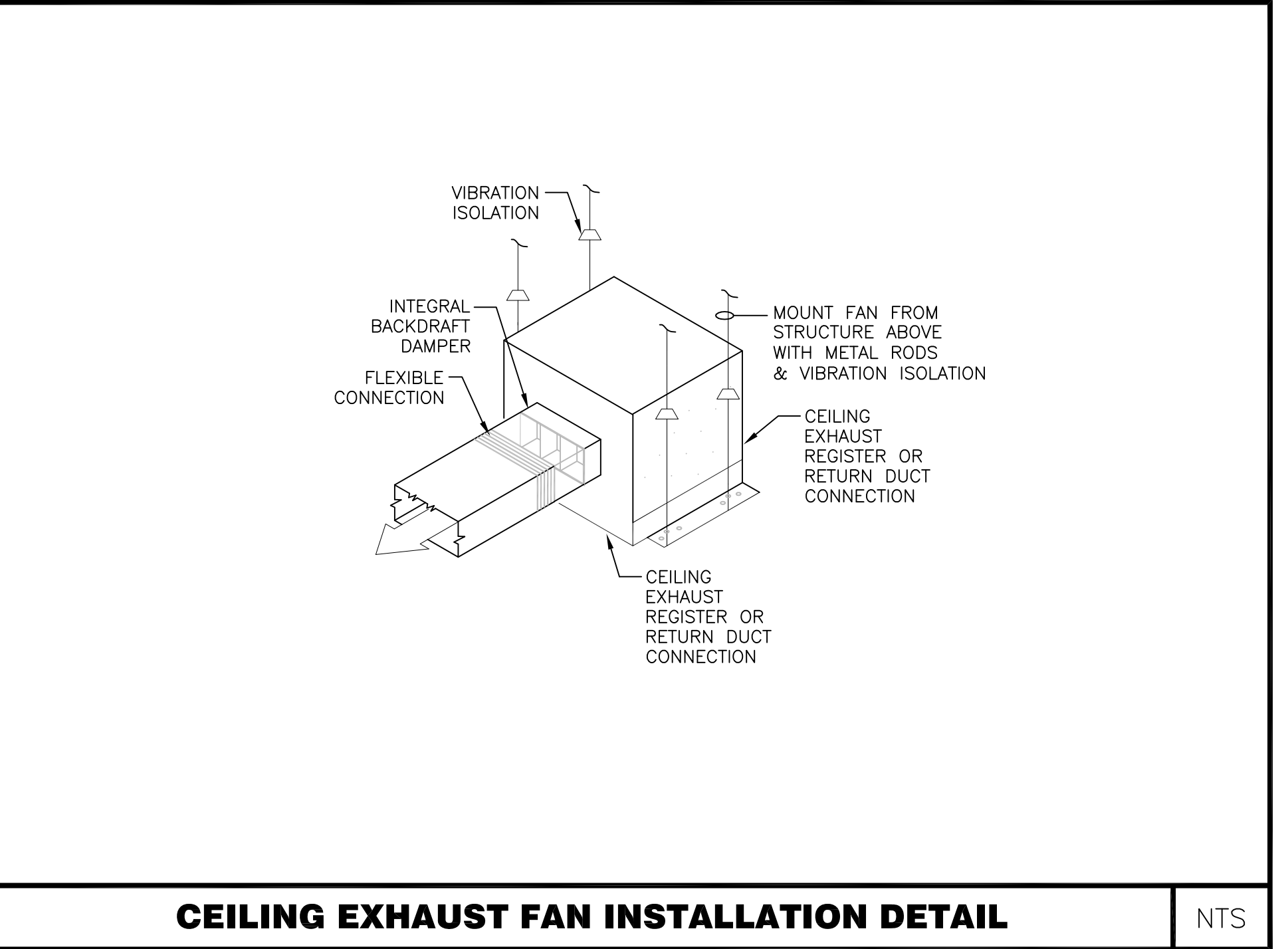
**FIRE DAMPER HORIZONTAL INSTALLATION DETAIL**

NTS



**IN-LINE FAN INSTALLATION DETAIL**

NTS



**CEILING EXHAUST FAN INSTALLATION DETAIL**

NTS

Project:

**PORTLAND LaQUINTA INN & SUITES - LQ #2049 RENOVATION**

340 Park Ave, Portland, ME 04102

Project Owner:

**LQ MANAGEMENT, LLC**

909 HIDDEN RIDGE, SUITE 600 IRVING, TEXAS 75038

Architect:

**BMA Architectural Group**

Professional Corporation  
Architects ■ Designers ■ Planners

12 Middle Street  
Amherst, New Hampshire 03031  
TEL 603 673 1991 FAX 603 672 1385  
www.bmaworld.com

Seal:

ENGINEER:

**INTEGRATED ENGINEERED SYSTEMS, INC.**

▲ MECH. DESIGN  
▲ ENERGY MGT.  
▲ INDOOR AIR QUALITY

P.O. BOX 657  
AUBURN, NH 03032  
Tel: (603) 625-1346  
Fax: (603) 625-8456

REVISIONS

NO.	DESCRIPTION

Job Number:	J799
Drawn By:	CLB
Checked By:	JK
Phase:	Lobby and ADA Documents

Drawing Title:

**MECHANICAL EQUIPMENT DETAILS**

SHEET NUMBER:

**M-501**

DATE: 10 April 2017