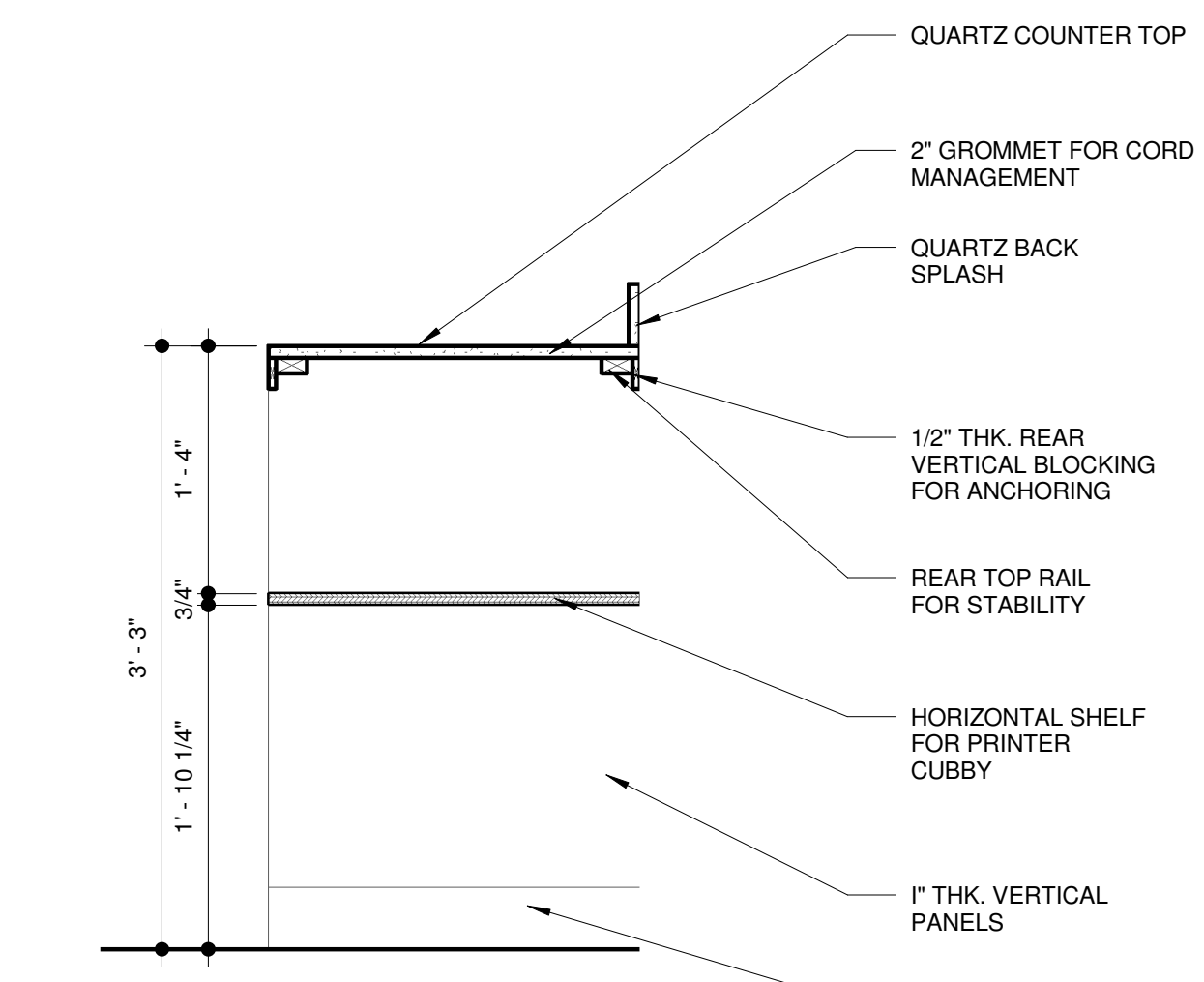
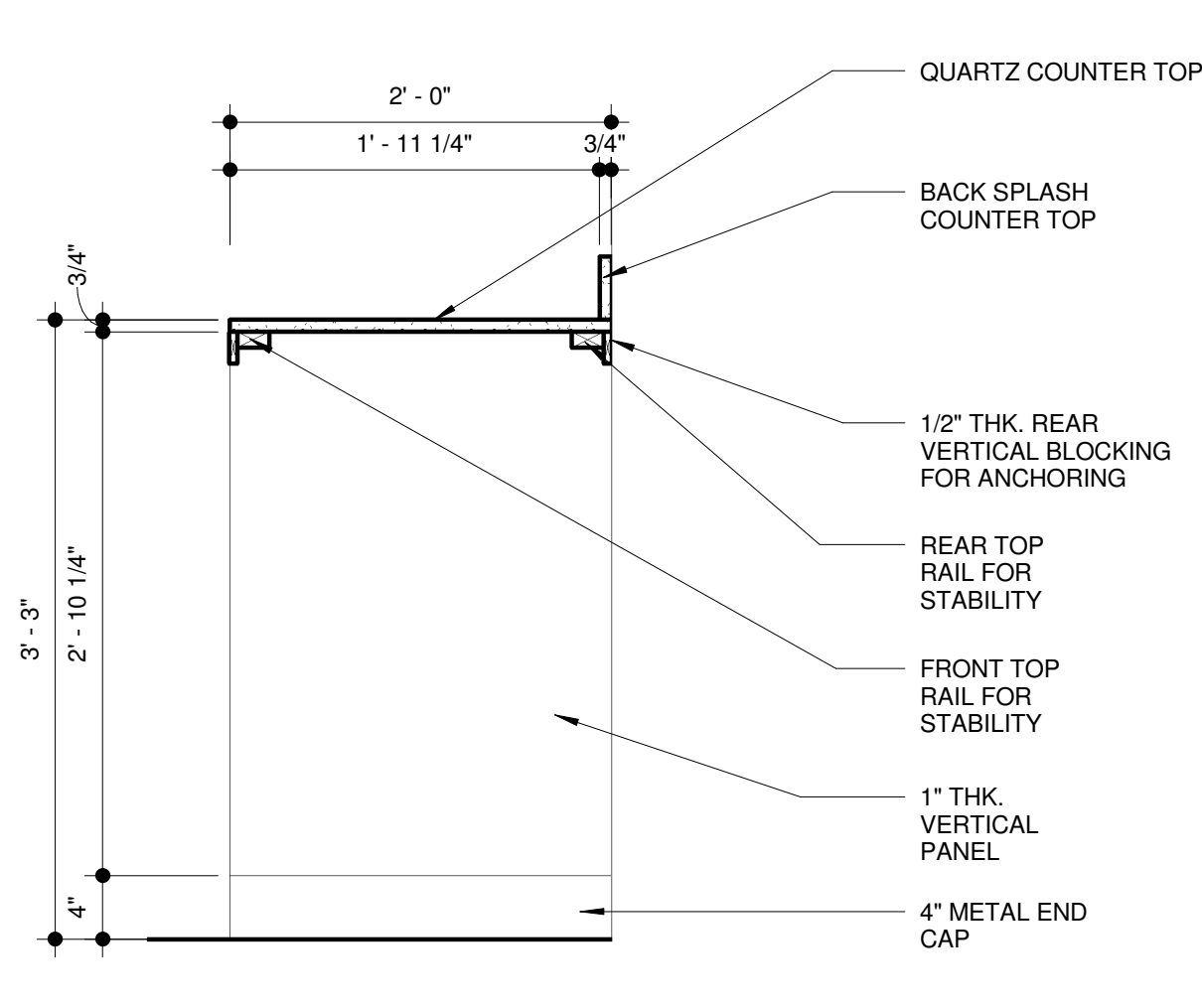


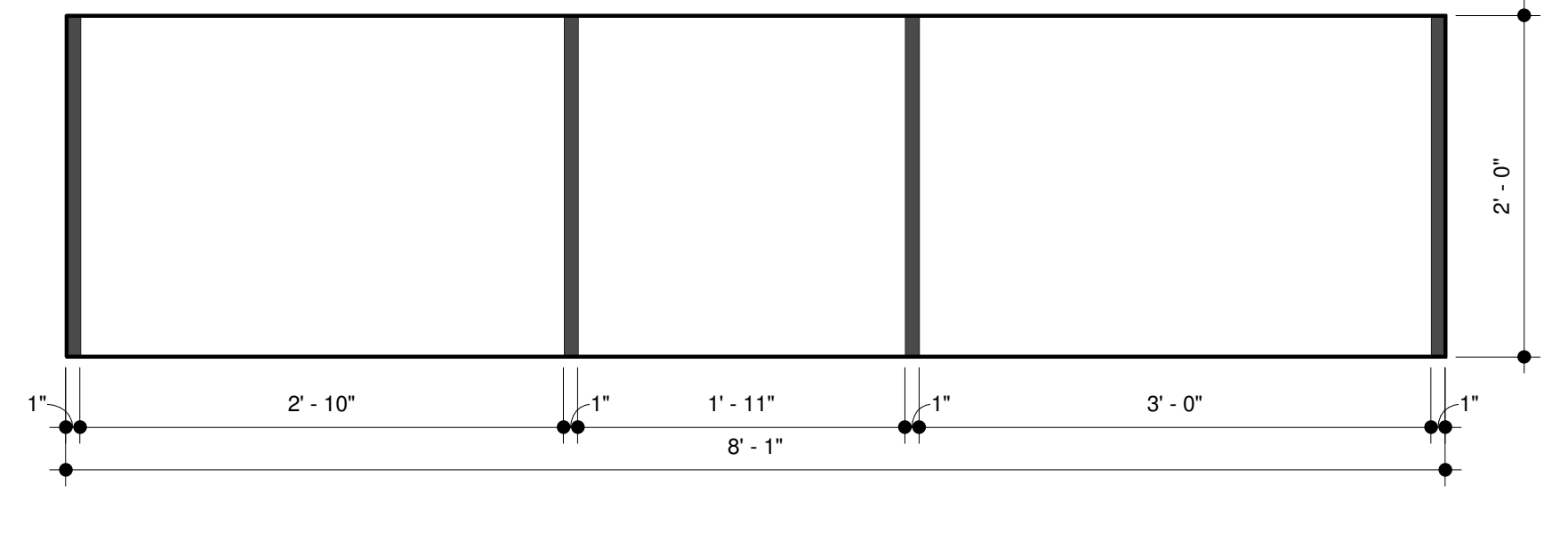
**D1 SECTION C**  
 1" = 1'-0"



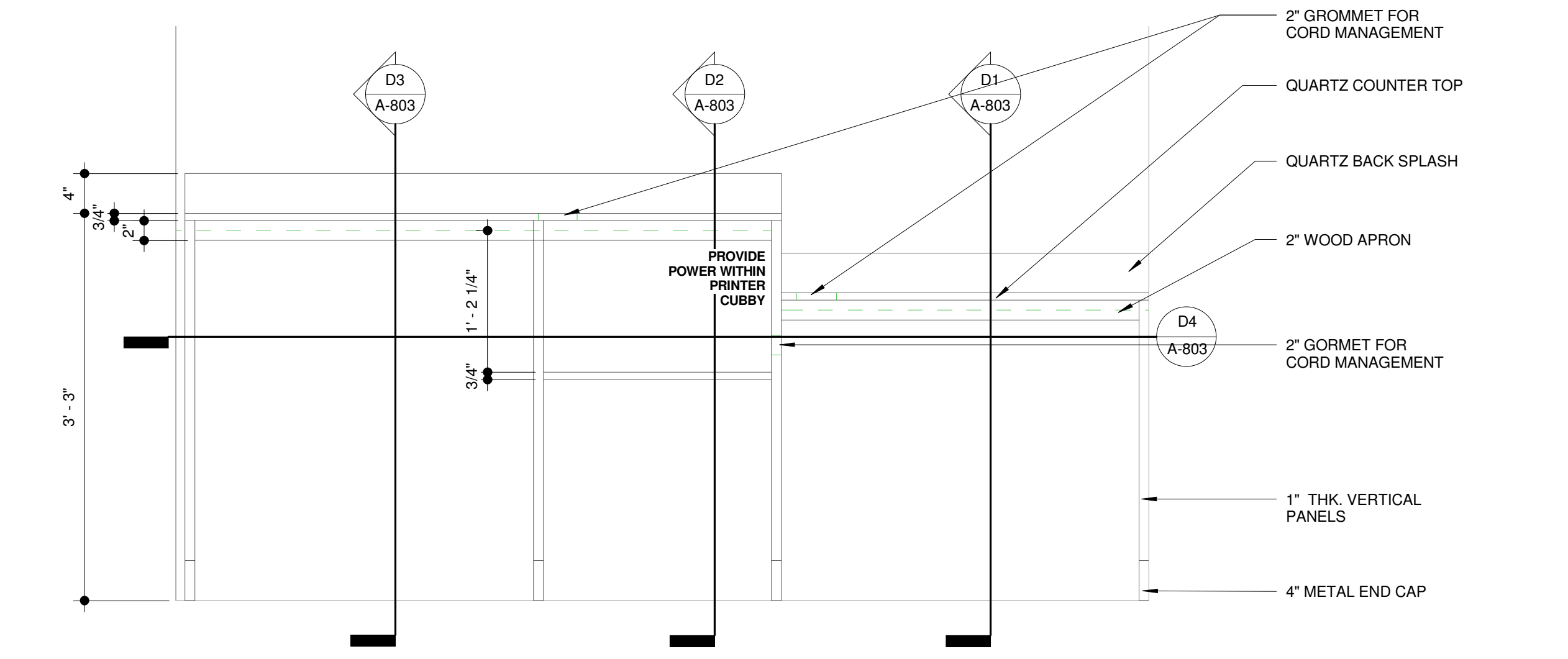
**D2 SECTION B**  
 1" = 1'-0"



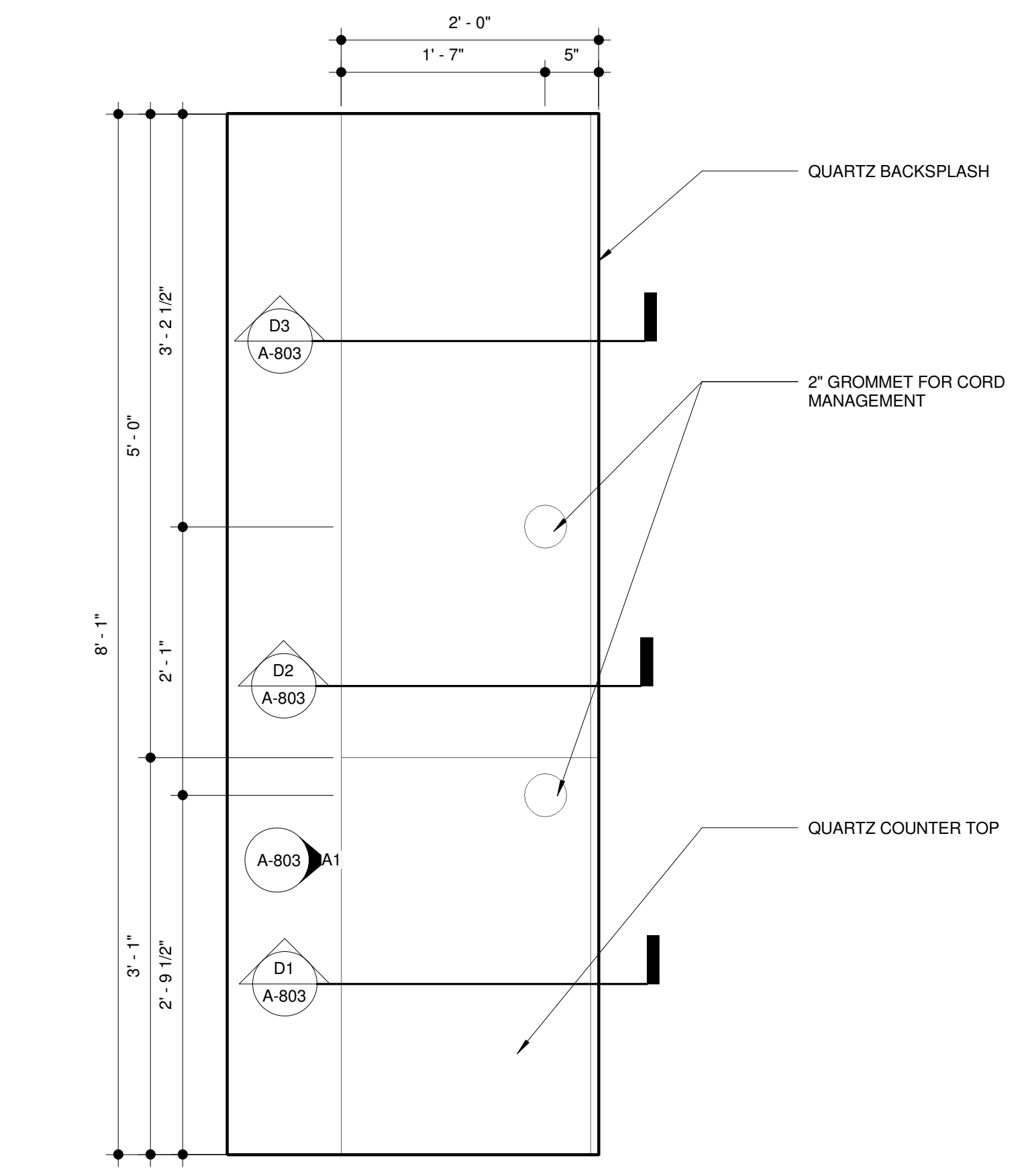
**D3 SECTION A**  
 1" = 1'-0"



**D4 SECTION D**  
 1" = 1'-0"



**A1 INT ELEV - PRINT STATION**  
 1" = 1'-0"



**A5 ENLARGED PLAN - PRINT STATION**  
 1" = 1'-0"