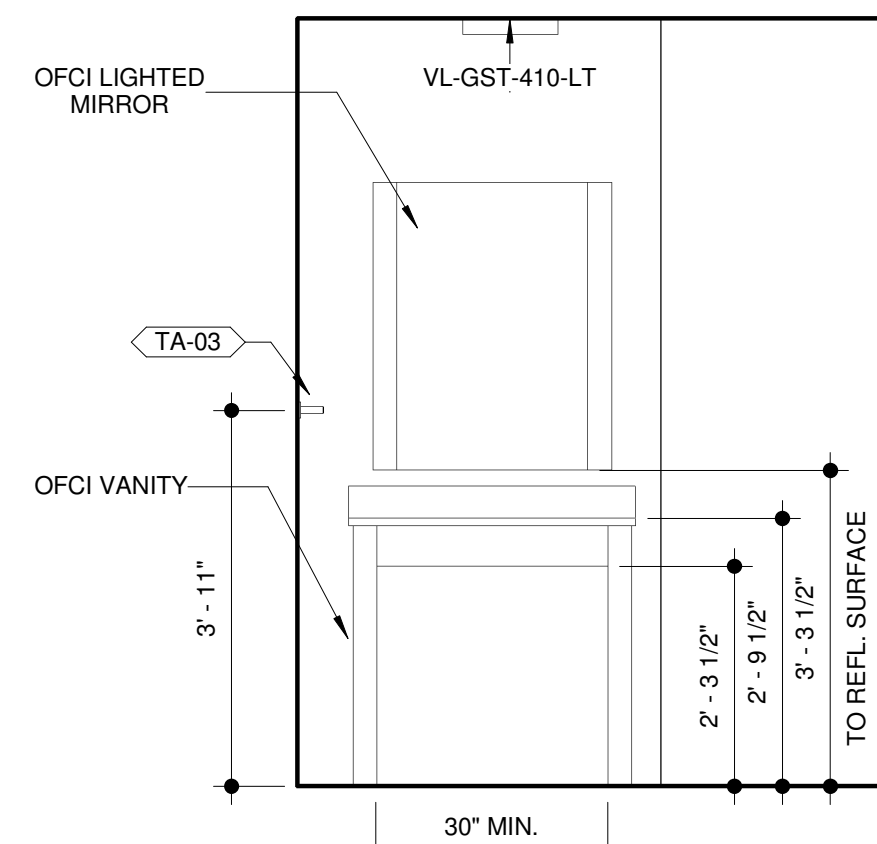
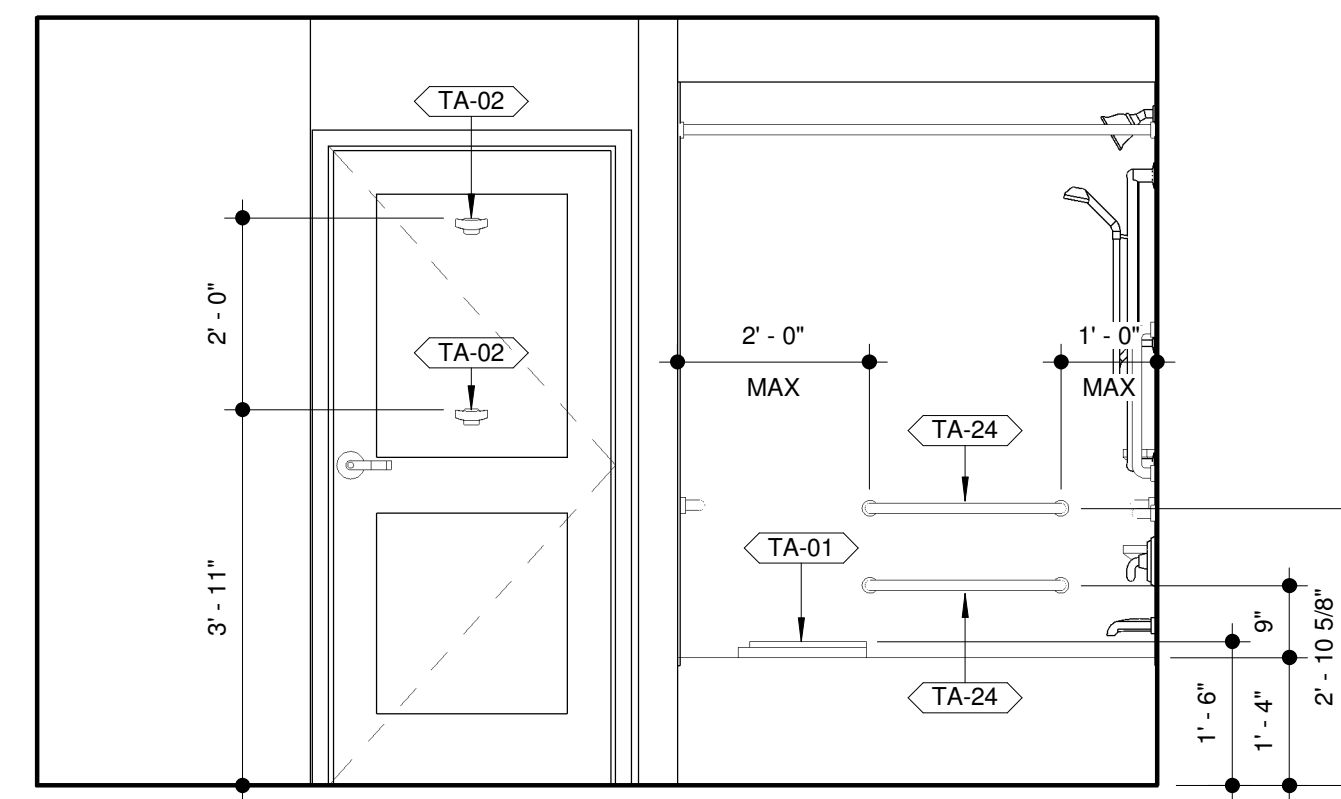


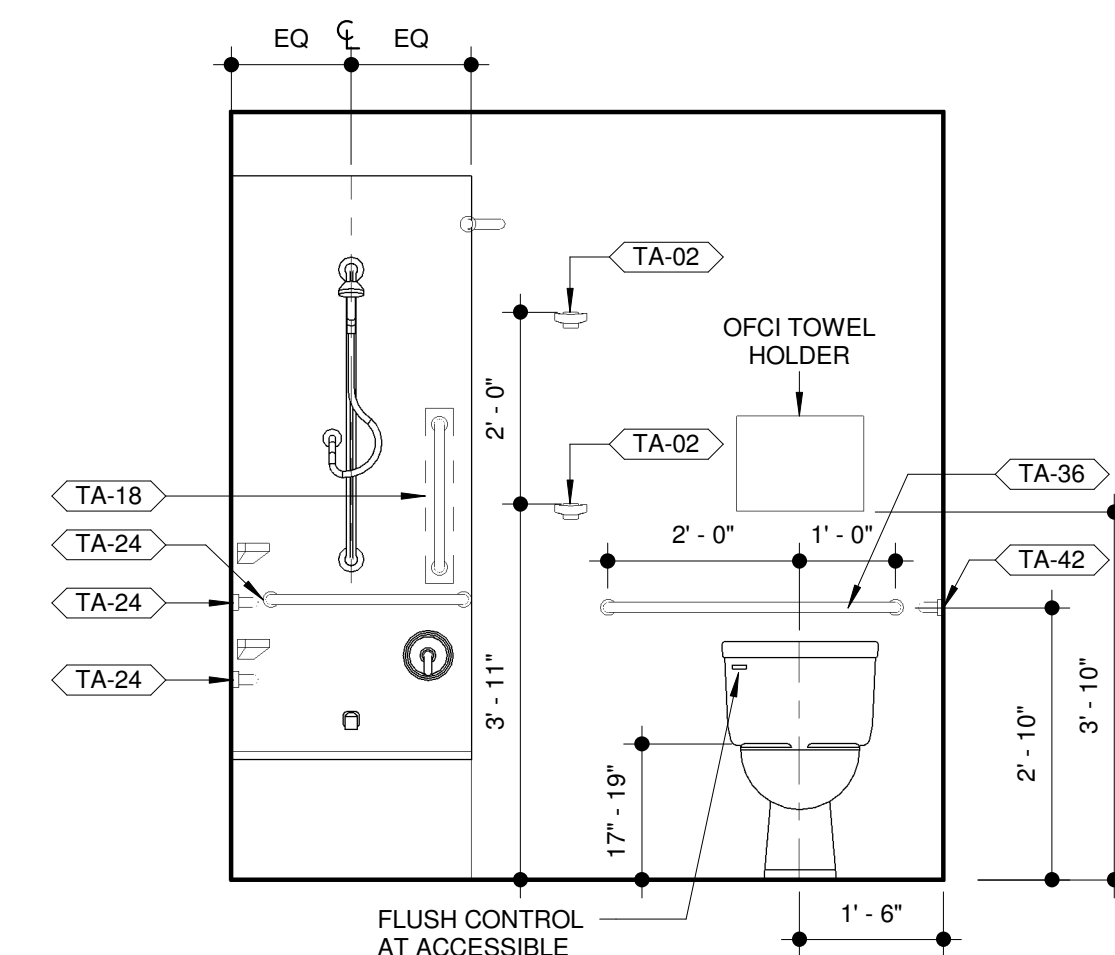
D1 INT ELEV - SIDE WALL
 1/2" = 1'-0"



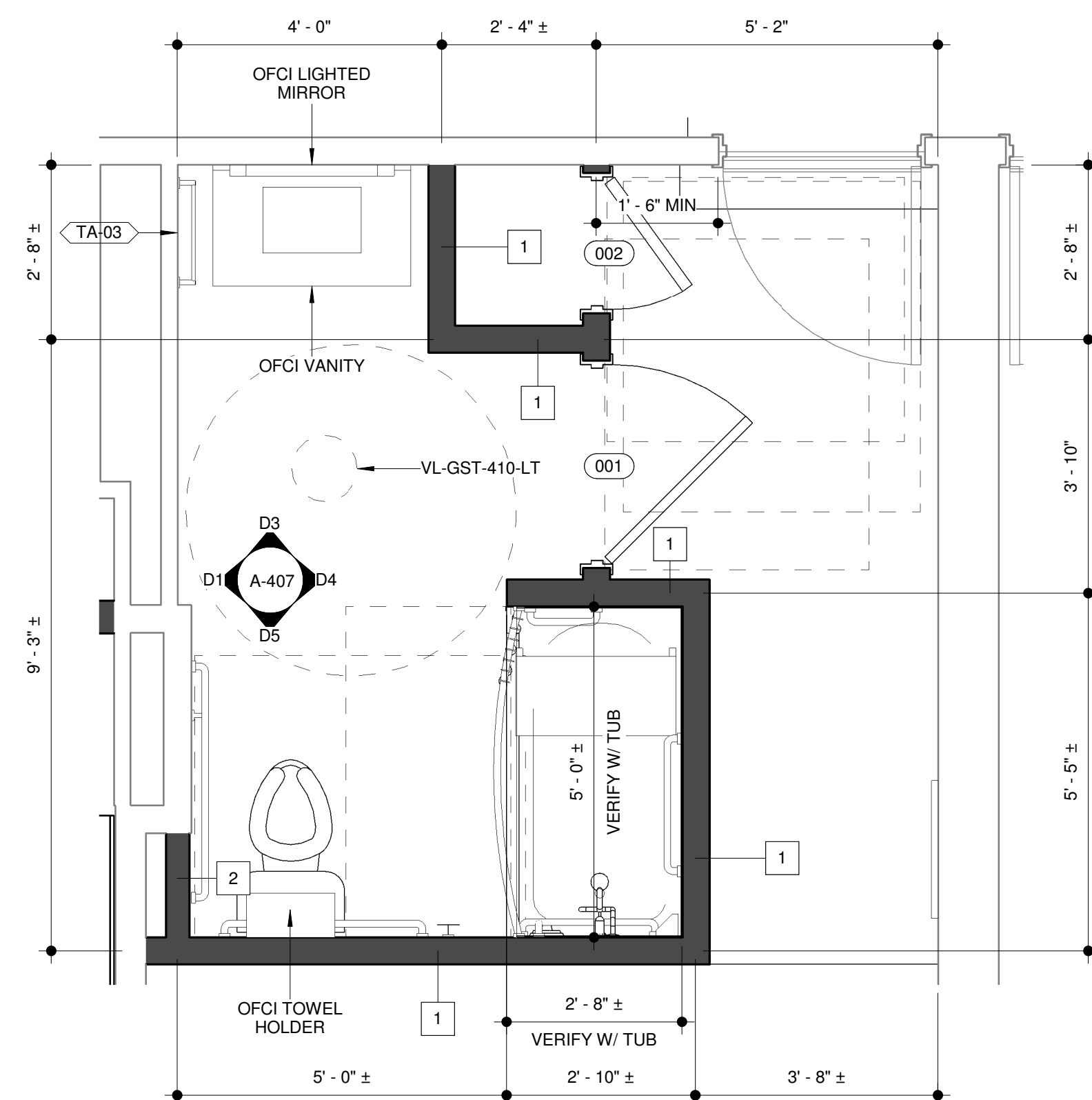
D3 INT ELEV - VANITY WALL
 1/2" = 1'-0"



D4 INT ELEV - ENTRY WALL
 1/2" = 1'-0"



D5 INT ELEV - TOILET WALL
 1/2" = 1'-0"



A1 ENLARGED GUEST BATHROOM PLAN - ACC DOUBLE
 1/2" = 1'-0"

NOTE:
 TOILET ACCESSORIES ARE OFCI SHOP DRAWINGS & PRODUCT DATA FOR TOILET ACCESSORIES THAT ARE REQUIRED FOR ACCESSIBILITY, INCLUDING BUT NOT LIMITED TO GRAB BARS, TUB/SHOWER SEATS, ETC. ARE TO BE SUBMITTED TO ARCHITECT FOR APPROVAL.

Type Mark	Description
TA-01	ADA SHOWER SEAT
TA-02	ROBE HOOK
TA-03	TOWEL BAR - 18"
TA-04	Toilet Paper Holder, Chrome
TA-05	36" X 36" ADA SHOWER SEAT
TA-12	GRAB BAR - 12"
TA-18	GRAB BAR - 18"
TA-24	GRAB BAR - 24"
TA-36	GRAB BAR - 36"
TA-42	GRAB BAR - 42"

MILLWORK NOTES:

- MILLWORK SHOWN IS DIAGRAMATIC ONLY. MILLWORK DESIGN AND DRAWINGS ARE BY OWNER'S VENDOR.
- CONTRACTOR TO PROVIDE SHOP DRAWINGS TO ARCHITECT FOR APPROVAL.
- PROVIDE SEALANT AT ALL DISSIMILAR MATERIALS.
- COORDINATE ALL MILLWORK WITH OWNERS EQUIPMENT.

GENERAL GUEST BATHROOM NOTES:

- VERIFY MOUNTING HEIGHTS W/ ADA & MANUFACTURERS RECOMMENDATIONS.
- PROVIDE BLOCKING IN WALLS FOR ALL TOILET ACCESSORIES, FIXTURES, ARTWORK, MIRRORS, ETC.
- MAINTAIN INTEGRITY OF FIRE RATING WHERE ACCESSORIES ARE IN RATED WALLS.
- PROVIDE SEALANT AT ALL DISSIMILAR MATERIALS, SUCH AS VANITIES, BACKSPASHES, TUB SURROUNDS, TILE TRANSITIONS AND WALL FINISH TRANSITIONS, ETC.
- IN ACCESSIBLE BATHROOMS, OFFSET HOT WATER AND WASTE PIPES UNDER SINK THE TO THE BACK. PROVIDE PIPE INSULATION ON ALL EXPOSED PLUMBING SUPPLY AND WASTE LINES. PIPE INSULATION TO BE TRU-BRO PIPE INSULATION. ALL OTHER BATHROOMS TO HAVE BRIGHT CHROME SUPPLY AND WASTE LINES.
- ACCESSORY STYLES, MATERIALS AND FINISHES ARE TO COORDINATE WITH BATH FIXTURES. G.C. TO VERIFY ACCESSORY STYLES, MATERIALS AND FINISHES W/ OWNER PRIOR TO ORDERING.
- ALL GYPSUM WALL & CEILING BOARD IN BATHROOMS TO BE MOISTURE RESISTANT.
- MAINTAIN INTEGRITY OF FIRE RATING WHERE TUBS/SHOWERS ARE IN RATED WALLS.
- PROVIDE 3-1/2" SOUND ATTENUATION INSULATION ABOVE ALL GUESTBATH ROOM CEILINGS.
- PROVIDE CONTINUOUS CRACK SUPPRESSION MEMBRANE @ ALL TILE FLOOR LOCATIONS.
- REFER TO GENERAL ACCESSIBILITY GUIDELINES ON THE G SHEETS, FOR MOUNTING HEIGHTS NOT INDICATED IN PLANS.
- ALIGN TILE BASE GROUT JOINTS WITH TILE FLOOR GROUT JOINTS.
- PROVIDE WATERPROOFING BELOW ALL UPPER FLOOR GUEST BATHROOMS EQUAL TO LATICRETE HYDROBAN.