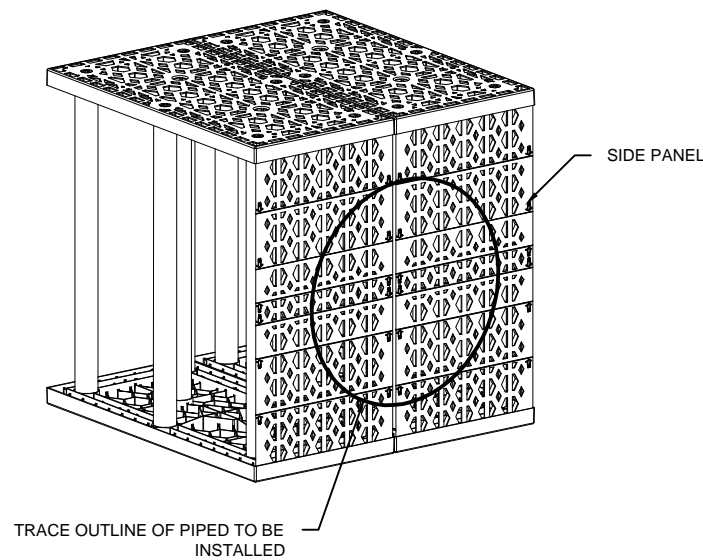
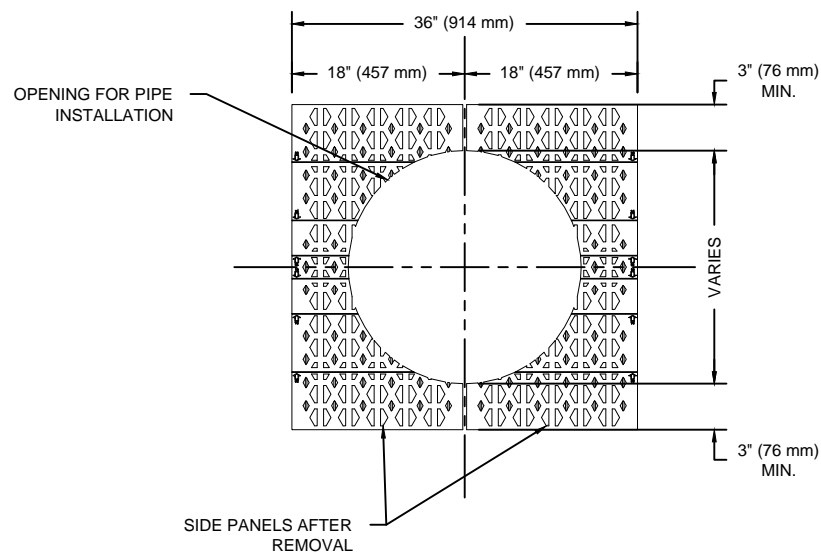


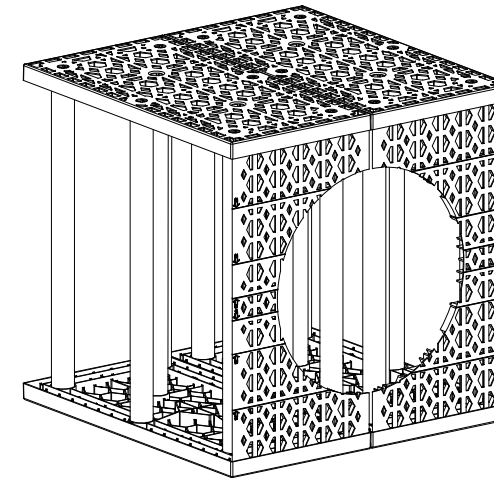
STEP 1:
LOCATE AND MARK OPENING



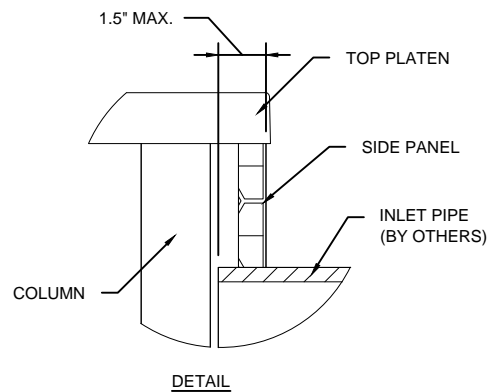
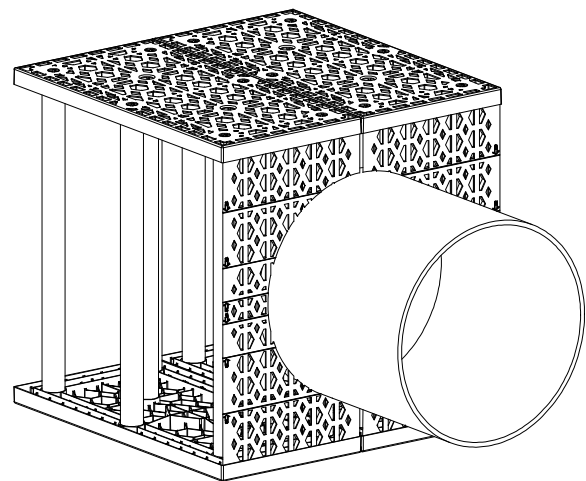
STEP 2:
REMOVE SIDE PANELS FROM MODULES
AND CUT OPENING



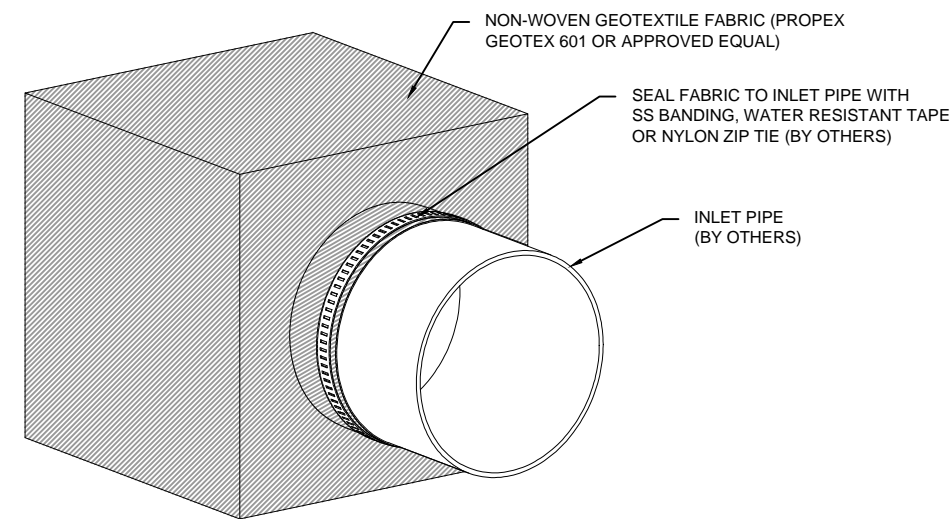
STEP 3:
REINSTALL SIDE PANELS



STEP 4:
INSTALL PIPE (SLIP FIT)



STEP 5:
WRAP AND SECURE GEOTEXTILE



NOTES:

- a. REFERENCE CURRENT INSTALLATION INSTRUCTIONS FOR PROPER INSTALLATION PRACTICES.

REV.	DATE	RECORD OF CHANGES	BY	APPRV.
C	11/10/14	GEOTEXTILE PRODUCT SPECIFIED	CGB	
B	9/23/13	UPDATED DRAWING FORMAT	JKB	JKB
A	9/4/12	INITIAL RELEASE	BLL	FK

This is the property of Brentwood Industries, Inc. It may not be reproduced or used for any purpose other than those expressly authorized by Brentwood Industries. It shall be returned immediately upon request of Brentwood Industries.



610 Morgantown Road
Reading, PA 19611 U.S.A.
Phone: (610) 374-5109
Fax: (610) 376-6022
www.brentwoodindustries.com

Project Name
**LARGE DIAMETER (15" & GREATER)
PIPE CONNECTION DETAIL**

Title
**STORMTANK
MODULE**

Drawn By B.LINE	Date 9/4/12
Drawing No. STM-007-01	Sheet 1 of 1
	Scale NTS