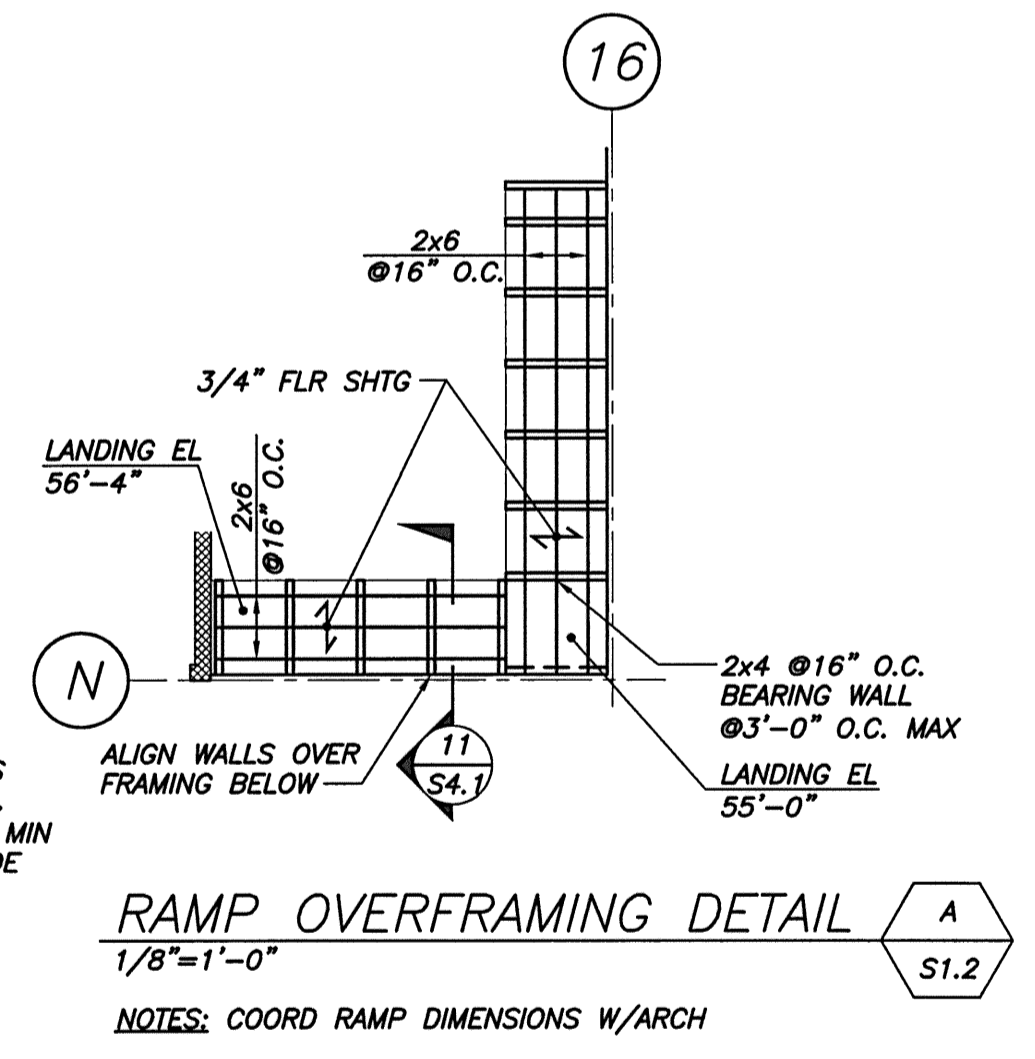
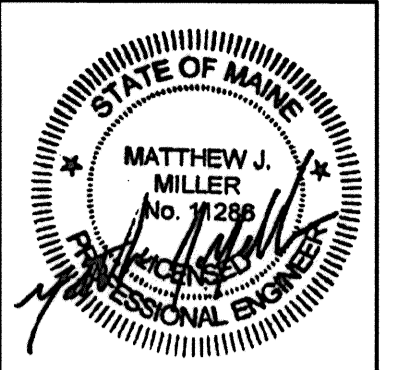


FIRST FLOOR FRAMING PLAN
1/8"=1'-0"

- NOTES:
1. FLOOR CONSTRUCTION CONSISTS OF A 3 1/2" NORMAL WEIGHT CONCRETE SLAB ON 0.6C 22GA FORM DECK BY VULCRAFT OR ACCEPTED EQUIVALENT. (3 1/2" TOTAL THICKNESS). PROVIDE 6x6-W2.1xW2.1 W.W.F.
 2. TOP OF CONCRETE SLAB EL 52'-0", U.N.O.
 3. TOP OF STEEL (UNDERSIDE OF DECK) EL 51'-8 1/2" U.N.O. BY (-2), (-8), ETC.
 4. J.H. INDICATES TOP OF STEEL = JOIST HEIGHT.
 5. PROVIDE BRIDGING PER STEEL JOIST INSTITUTE SPECIFICATIONS.
 6. WHERE STEEL JOIST FRAME OPPOSITE STRUCTURAL WIDE FLANGE, EXTEND JOIST TOP CHORD FOR DECK SUPPORT, U.N.O.
 7. E.P. INDICATES EMBEDDED PLATE. SEE DETAIL ON DWG S3.1.
 8. PROVIDE L4x4x1/4 AROUND ALL SIDES OF OPENINGS IN SLAB, U.N.O.
 9. COORDINATE LOCATION OF SHELF STEPS W/ARCH & CIVIL DWGS.
 10. BF- INDICATES BRACED FRAME, SEE DWG S1.7.
 11. COORD BRICK SHELF ELEVATIONS W/ARCH DWGS. BRICK SHELF SHALL BE MIN 4" BELOW FINISHED GRADE (TYP)
 12. SEE DWG S4.3 FOR WALL FRAMING AROUND OPENINGS.



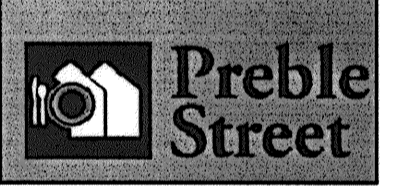
RAMP OVERFRAMING DETAIL
1/8"=1'-0"
NOTES: COORD RAMP DIMENSIONS W/ARCH



GAWRON TURGEON ARCHITECTS
29 Black Point Road
Scarborough, ME 04074
www.gawronturgeon.com
Tel. 207. 883. 6307
Fax. 207. 883. 0361



FLORENCE HOUSE
PORTLAND, MAINE



REVISIONS	
DATE	DESCRIPTION

DATE:	09.02.08
PROJECT #	1686
DRAWN BY:	MCN
CHECKED BY:	MM
DRAWING SCALE	1/8"=1'-0"

SHEET TITLE
FIRST FLOOR FRAMING PLAN

S1.2

© COPYRIGHT 1985-2006
REPRODUCTION OR RELEASE OF THIS DOCUMENT WITHOUT WRITTEN PERMISSION OF GAWRON TURGEON ARCHITECTS IS PROHIBITED.

BECKER
STRUCTURAL ENGINEERS, INC.
75 York Street
Portland, ME 04101-4701
Tel. 207.875.1832
Fax. 207.875.1822
www.beckermaine.com