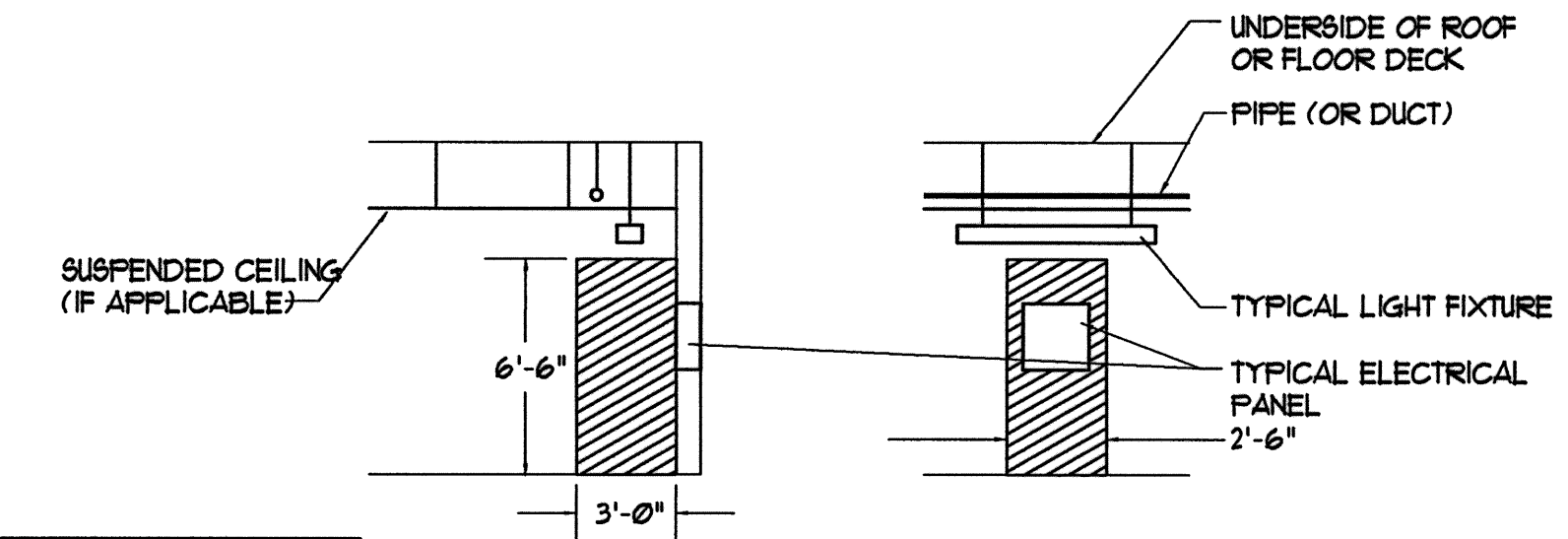


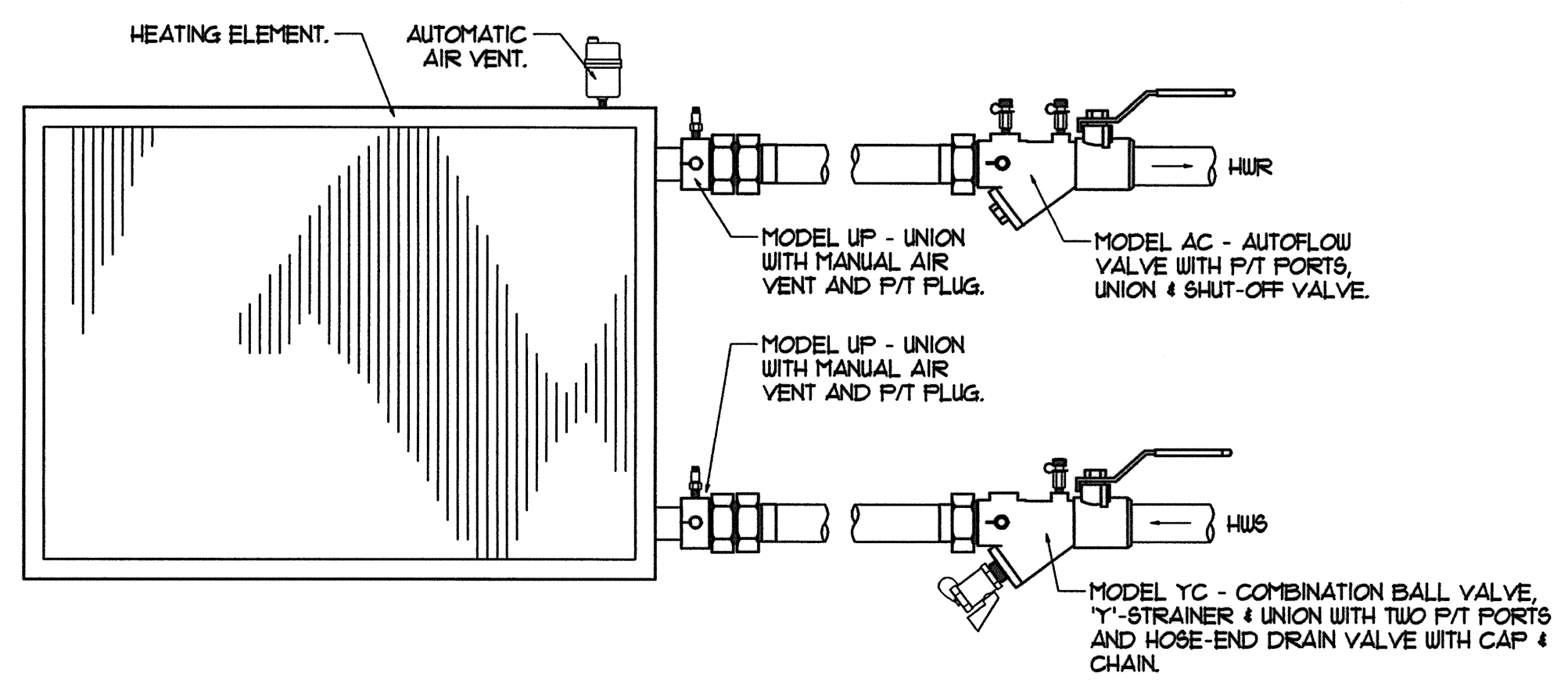
HORIZONTAL UNIT HEATER PIPING DETAIL
NTS



CLEARANCES AT ELECTRICAL PANELS
NTS

NOTE: NO DUCTWORK OR PIPING IS PERMITTED IN THE HATCHED AREAS.

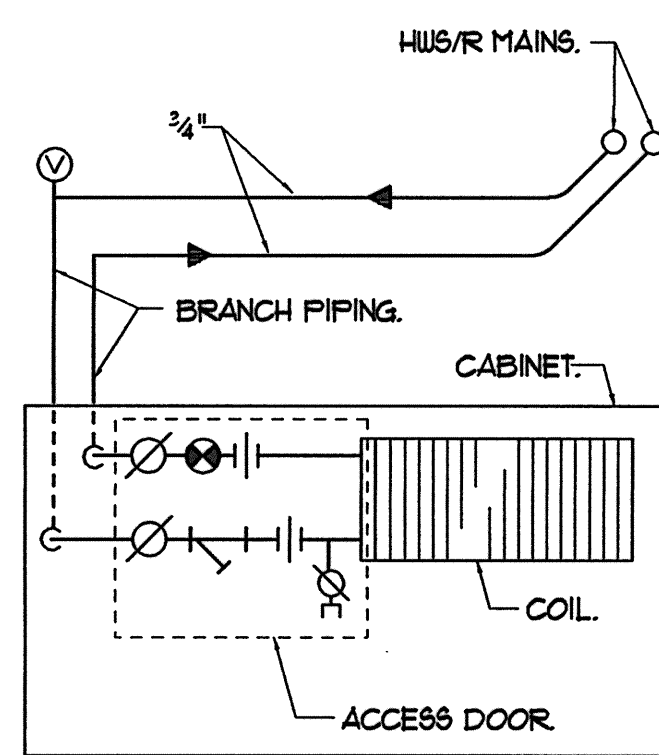
SEE NEC SECTIONS 110.26 AND 408.18 (2005 EDITION)



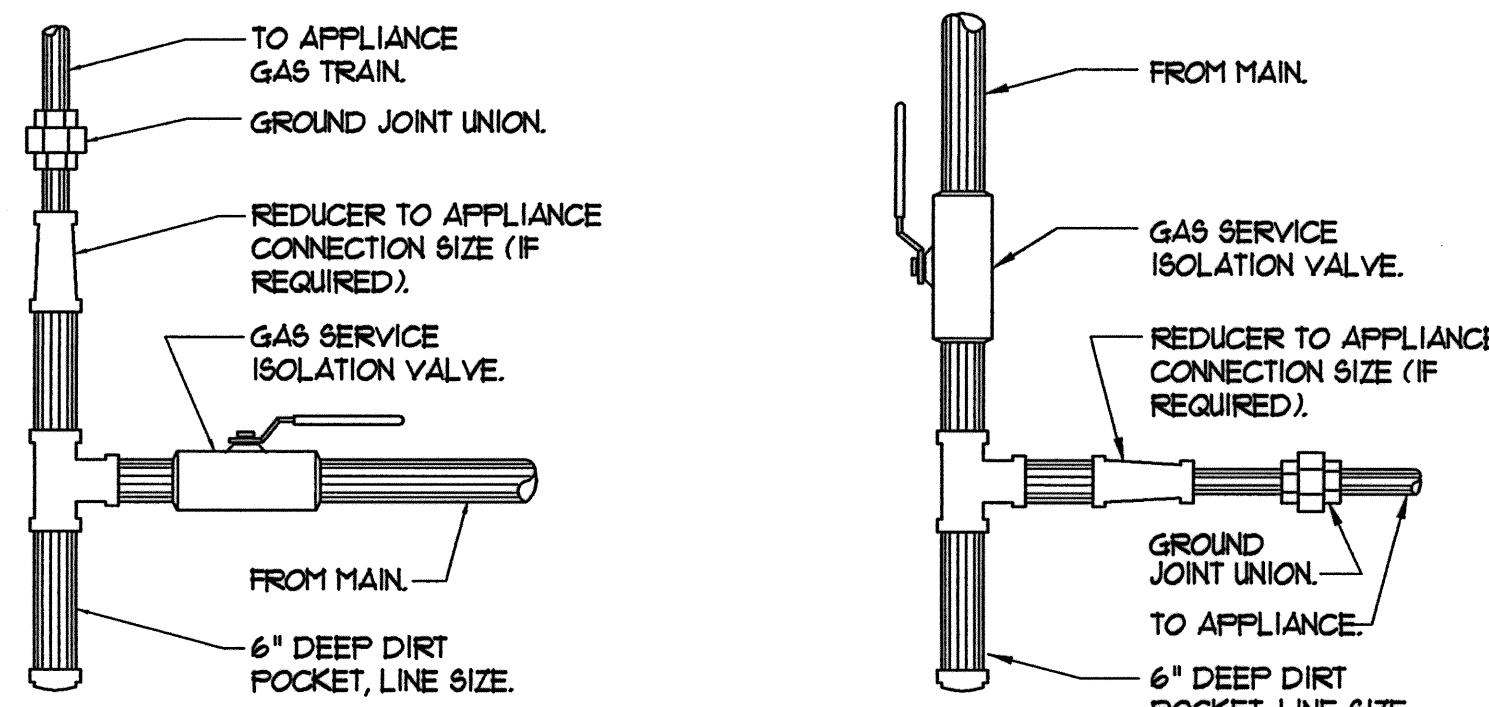
AUTOFLOW VALVE PIPING SCHEMATIC W/ NO VALVE CONTROL
NTS

NOTE - MODEL NUMBERS BASED ON FLOW DESIGN INC. FOR PIPE SIZES 2" AND SMALLER.

NOTE - DETAIL APPLIES TO UNIT HEATERS AND CABINET UNIT HEATERS.



CABINET UNIT HEATER PIPING DETAIL
NTS

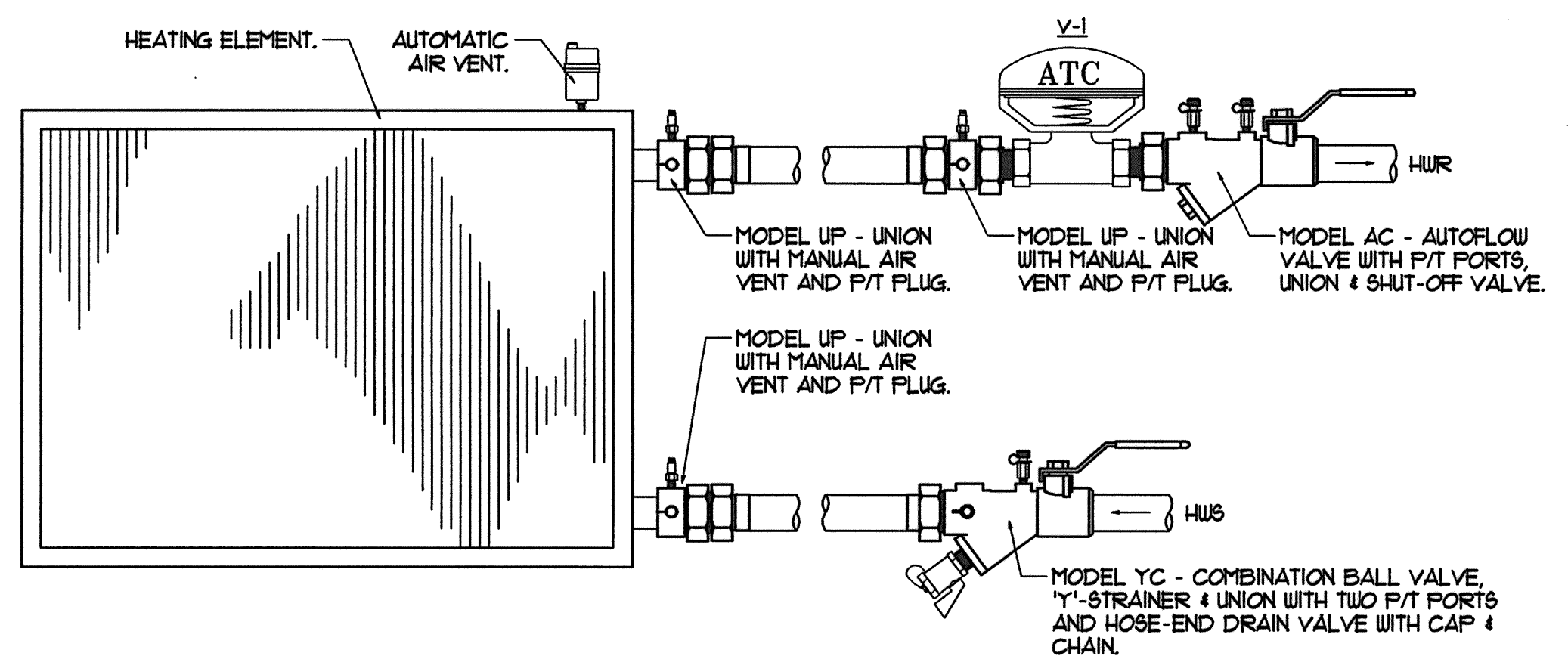


UPFEED GAS PIPING CONNECTION DETAIL
NTS

NOTE: APPLIANCES WITH REGULATORS LOCATE PIPING SHOWN HEREIN UPSTREAM OF THE APPLIANCE REGULATOR. PROVIDE A TEST PLUG DOWNSTREAM OF THE APPLIANCE REGULATOR.

DOWNFEED GAS PIPING CONNECTION DETAIL
NTS

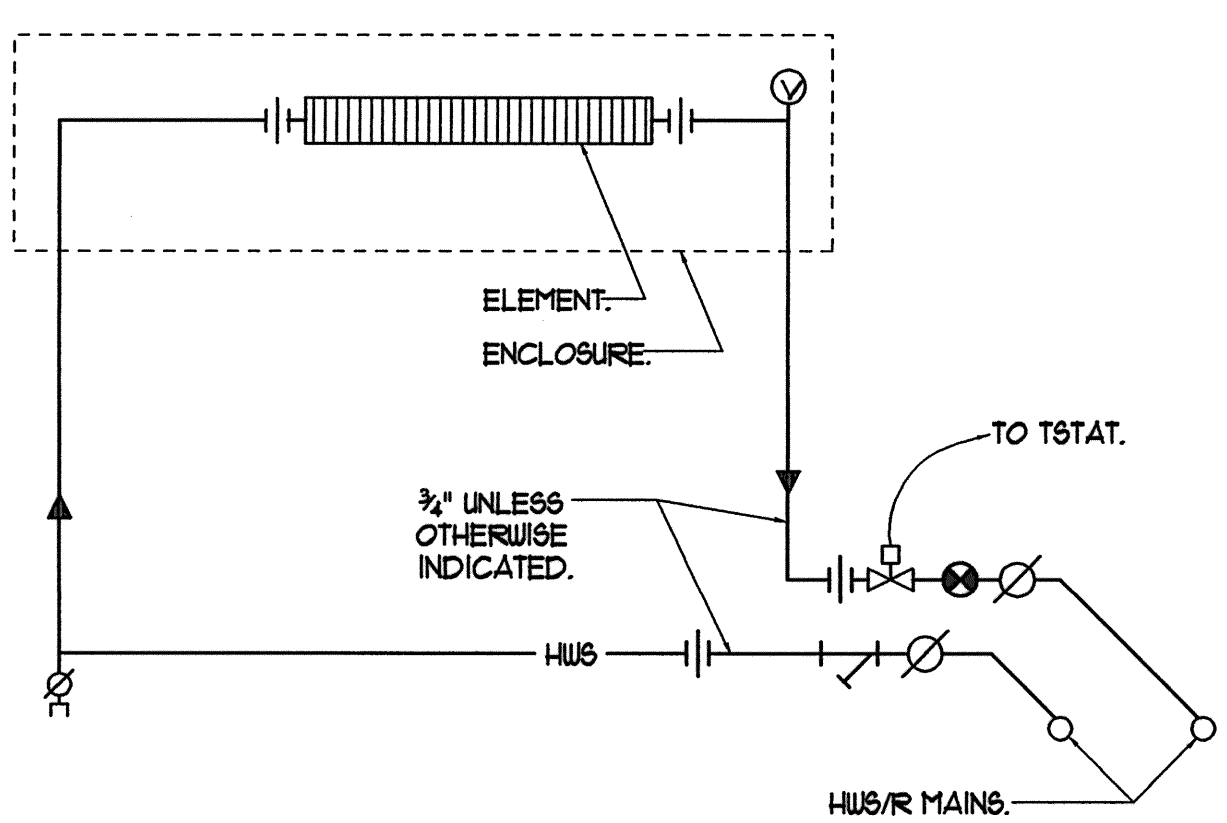
NOTE: APPLIANCES WITH REGULATORS LOCATE PIPING SHOWN HEREIN UPSTREAM OF THE APPLIANCE REGULATOR. PROVIDE A TEST PLUG DOWNSTREAM OF THE APPLIANCE REGULATOR.



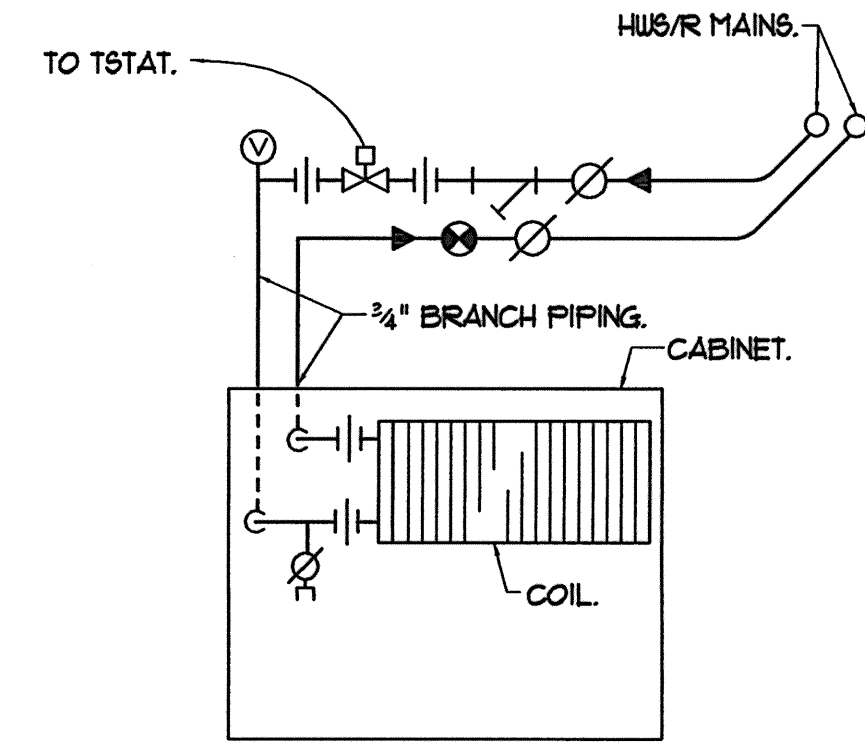
AUTOFLOW VALVE PIPING SCHEMATIC W/ 2-WAY VALVE
NTS

NOTE - MODEL NUMBERS BASED ON FLOW DESIGN INC. FOR PIPE SIZES 2" AND SMALLER.

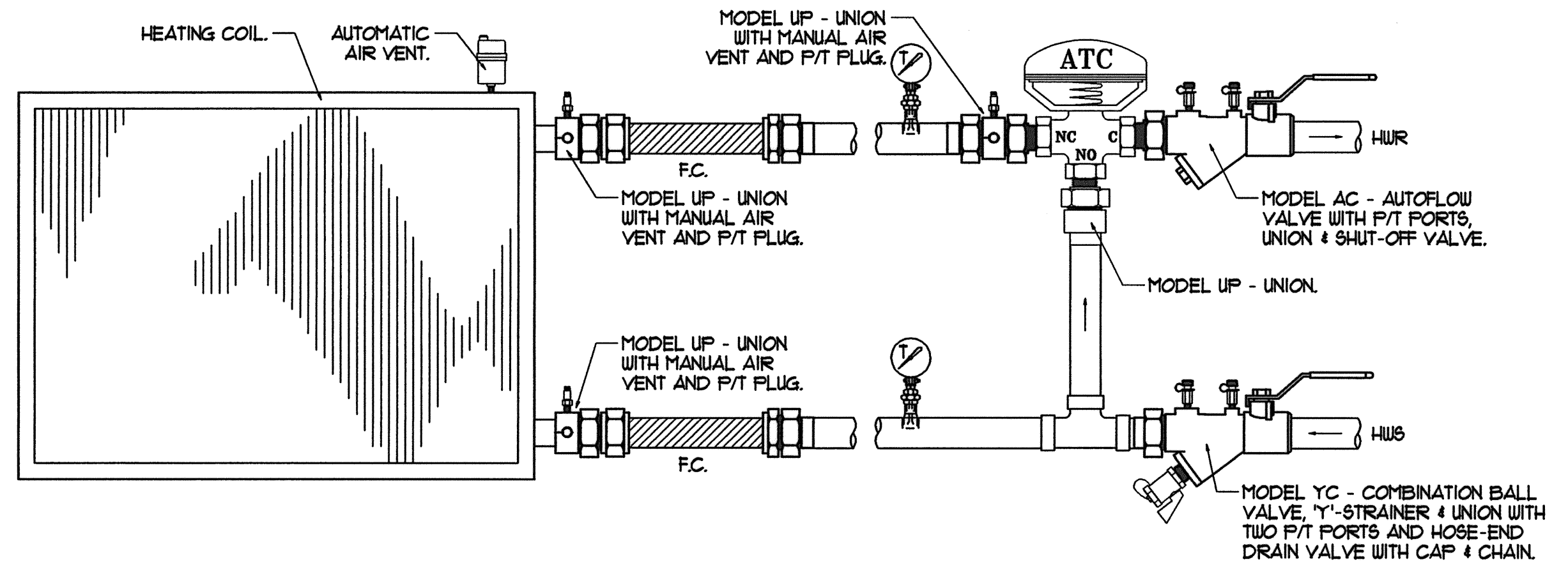
NOTE - DETAIL APPLIES TO ALL FIN TUBE, KICKSPACE/WALL HEATERS AND HEAT PUMPS (HP-2, HP-3 AND HP-5)



FIN TUBE PIPING DETAIL
NTS



WALL HEATER PIPING DETAIL
NTS

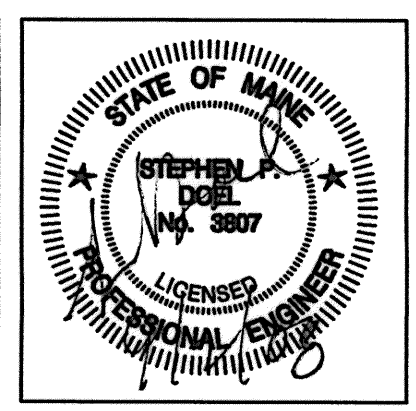


AUTOFLOW VALVE PIPING SCHEMATIC W/ 3-WAY VALVE
NTS

NOTE - MODEL NUMBERS BASED ON FLOW DESIGN INC. FOR PIPE SIZES 2" AND SMALLER.

NOTE - DETAIL APPLIES TO HEATING COILS AND HEAT PUMPS (HP-1 AND HP-4).

BENNETT ENGINEERING
MECHANICAL - ELECTRICAL
(207) 865-9475



Gawron Turgeon ARCHITECTS
29 Black Point Road
Scarborough, Maine 04074
www.gawronturgeon.com
207-883-6307 int 207-883-0361 fax

FLORENCE HOUSE
190 VALLEY STREET
PORTLAND, MAINE

#	DATE	DESCRIPTION
1	4.03.07	CONTRACT ZONE SUBMISSION
2	5.01.07	CONTRACT ZONE SUBMISSION
3	7.10.07	CONTRACT ZONE SUBMISSION
4	9.04.07	SITE PLAN AND SUBDIVISION REVIEW
5	10.02.07	FINAL SITE PLAN REVIEW
6	11.15.07	50% REVIEW SET
7	12.04.07	50% MAINE HOUSING REVIEW SET
8	05.02.08	90% MAINE HOUSING REVIEW SET
9	07.31.08	100% MAINE HOUSING REVIEW SET
10	09.02.08	100% BID DOCUMENTS

DATE:	09/02/08
PROJECT #	100405
DRAWN BY:	JMV
CHECKED BY:	SPD
DRAWING SCALE	AS NOTED

SHEET TITLE
MECHANICAL DETAILS

M305

© COPYRIGHT 1985-2008
REPRODUCTION OR USE OF THIS
DOCUMENT WITHOUT WRITTEN
PERMISSION OF GAWRON TURGEON
ARCHITECTS IS PROHIBITED