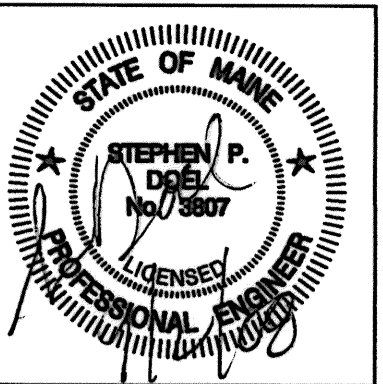
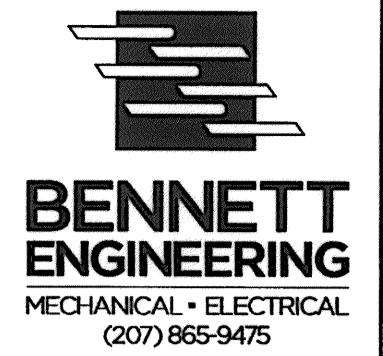


CONTROL VALVE SCHEDULE					
TAG	FLOW RATE (GPM)	Cv	VALVE SIZE (IN)	TYPE	SERVICE
V-1	2.0	13	1/2"	2-WAY, 2-POSITION	FTR-1/WALL HEATERS
V-2	13.0	12.0	1"	3-WAY, MIXING	ERV-1 (HC-1)
V-3	5.0	4.0	1/2"	3-WAY, MIXING	ERV-2 (HC-2)
V-4	22.0	16.0	1-1/4"	2-WAY, PROPORTIONING	HEX-1
V-5	6.0, 15	6.8	3/4"	3-WAY, MIXING	HP-1, HP-4
V-6	5.0	3.6	1/2"	2-WAY, 2-POSITION	HP-5
V-7	10.5, 12.0	8.2	1"	2-WAY, 2-POSITION	HP-2, HP-3

AIR SEPARATOR PERFORMANCE SCHEDULE									
TAG	FLOW RATE (GPM)	WPD (PSI)	Cv FACTOR	STRAINER (Y) OR (N)	MAX WORK'G TEMPERATURE (DEGREES F)	MAX WORK'G PRESSURE (PSI)	BASIS OF DESIGN - TACO		
							SERVICE	PIPE SIZE (IN)	MODEL
AS-1	150.0	0.8	-	N	210	125	HUS/R	4"	4904AD
AS-2	41.0	1.6	-	N	210	125	LUS/R	2"	4902AD
AS-3	18.0	1.5	-	N	240	150	GLYCOL HUS/R	1-1/2"	49-150AD



AIR DEVICE PERFORMANCE SCHEDULE									
TAG	FANEL SIZE (IN)	NECK SIZE (IN)	AIRFLOW (CFM)	SPLOSS (INWG)	THROU(L)	Nc	BASIS OF DESIGN - METALAIR		
							DUCT CONN(IN)	PATTERN	MODEL
(A)	24x24	6x6	150	0.05	-	25	SEE DWGS	SEE DWGS	5000D
(B)	24x24	9x9	350	0.05	-	25	SEE DWGS	SEE DWGS	5000D
(C)	24x24	12x12	550	0.05	-	25	SEE DWGS	SEE DWGS	5000D
(D)	-	8x8	100	0.05	-	25	SEE DWGS	15"	RC-4IC
(E)	-	12x8	200	0.05	-	25	SEE DWGS	15"	RC-4IC
(F)	-	18x8	200	0.05	-	25	SEE DWGS	15"	RC-4IC
(AA)	-	8x8	100	0.05	-	30	SEE DWGS	1/2", 35"	RHD
(BB)	-	12x12	400	0.05	-	30	SEE DWGS	1/2", 35"	RHD
(CC)	-	16x16	600	0.05	-	30	SEE DWGS	1/2", 35"	RHD
(DD)	-	18x18	700	0.05	-	30	SEE DWGS	1/2", 35"	RHD
(EE)	-	12x8	200	0.05	-	30	SEE DWGS	1/2", 35"	RHD

INDIRECT-FIRED WATER HEATER PERFORMANCE SCHEDULE													
TAG	STORAGE (GALS)	INPUT (GPM)	WPD (PSI)	1ST HOUR 90°F RISE (GPH)	WORKING PRESSURE (PSIG)	INLET CU TEMP (DEG F)	INLET HU TEMP (DEG F)	ELECTRICAL REQUIREMENTS			BASIS OF DESIGN - SUPERSTOR ULTRA COMMERCIAL		
								HP	WATTS	V/PH/Hz	SERVICE	FUEL	MODEL
IRUH-1	119.0	28.0	12.1	631.0	150.0	50.0	180.0	-	-	-	DOMESTIC HU	HUS/R	SSU-19C
IRUH-2	119.0	28.0	12.1	631.0	150.0	50.0	180.0	-	-	-	DOMESTIC HU	HUS/R	SSU-19C

CABINET UNIT HEATER PERFORMANCE SCHEDULE													
TAG	OUTPUT (MBH)	FLOW RATE (GPM)	WPD (FTWG)	AIRFLOW (CFM)	THROU	MTGHT. (FEET)	ELECTRICAL REQUIREMENTS			BASIS OF DESIGN - STERLING			
							HP	AMPS	V/PH/Hz	SERVICE	ARRANGEMENT	MODEL	
CUH-1	18.1	2.0	0.26	335	-	*	1/15	0.8	120/1/60	STAIR ST2	INV. WALL	WI-110-03	
CUH-2	18.1	2.0	0.26	335	-	*	1/15	0.8	120/1/60	STAIR ST3	INV. WALL	WI-110-03	
CUH-3	18.1	2.0	0.26	335	-	*	CEILING	1/15	0.8	120/1/60	KITCHEN	CEILING	RC-1200-03

* REFER TO ARCHITECTURAL DRAWINGS, TYP. 6" AFF. PROVIDE EACH UNIT W/ DISCONNECT SWITCH AND FILTERS.

UNIT HEATER PERFORMANCE SCHEDULE												
TAG	OUTPUT (MBH)	FLOW RATE (GPM)	WPD (FTWG)	AIRFLOW (CFM)	THROU	MTGHT. (FEET)	ELECTRICAL REQUIREMENTS			BASIS OF DESIGN - STERLING		
							HP	AMPS	V/PH/Hz	SERVICE	ARRANGEMENT	MODEL
UH-1	29.5	2.0	0.11	900	-	*	1/20	2.0	120/1/60	004 MAINTENANCE	HORIZONTAL	HS-60
UH-2	29.5	2.0	0.11	900	-	*	1/20	2.0	120/1/60	205 TEL/DATA ELECTRICAL	HORIZONTAL	HS-60
UH-3	29.5	2.0	0.11	900	-	*	1/20	2.0	120/1/60	011 MECHANICAL	HORIZONTAL	HS-60
UH-4	29.5	2.0	0.11	900	-	*	1/20	2.0	120/1/60	020 STORAGE	HORIZONTAL	HS-60
UH-5	29.5	2.0	0.11	900	-	*	1/20	2.0	120/1/60	022 STORAGE	HORIZONTAL	HS-60
UH-6	29.5	2.0	0.11	900	-	*	1/20	2.0	120/1/60	024/024 STORAGE	HORIZONTAL	HS-60

* AS HIGH AS POSSIBLE.

BOILER PERFORMANCE SCHEDULE											
TAG	I-B-R RATINGS		GAS INPUT (MBH)	FUEL TYPE	ELECTRICAL REQUIREMENTS			BASIS OF DESIGN - LOCHINVAR 'KNIGHT XL'			
	GROSS	NET			HP	AMPS	V/PH/Hz	SERVICE	BURNER MAKE	BURNER MODEL	MODEL
B-1	467.0	406.0	500.0	NATURAL GAS	-	9.0	120/1/60	BLDG HEAT	-	-	KBN-500
B-2	467.0	406.0	500.0	NATURAL GAS	-	9.0	120/1/60	BLDG HEAT	-	-	KBN-500

WALL/KICKSPACE HEATER PERFORMANCE SCHEDULE									
TAG	OUTPUT (MBH)	FLOW RATE (GPM)	WPD (FTWG)	AIRFLOW (CFM)	ENTERING WATER TEMP (DEG F)	ELECTRICAL REQUIREMENTS		BASIS OF DESIGN - VRV PRODUCTS	
						AMPS	V/PH/Hz	SERVICE	MODEL
WH-1	3.8	2.0	0.40	50	180	1.0	115/1/60	010 CORRIDOR	K52004.K5UK
WH-2	3.8	2.0	0.40	50	180	1.0	115/1/60	012 STAFF TOILET	K52004.K5UK
WH-3	3.8	2.0	0.40	50	180	1.0	115/1/60	019 JANITOR	K52004.K5UK
WH-4	8.0	2.0	0.80	100	180	1.0	115/1/60	010 VESTIBULE	K52008.K5UK
WH-5	8.0	2.0	0.80	100	180	1.0	115/1/60	010 VESTIBULE	K52008.K5UK
WH-6	6.0	2.0	0.70	75	180	1.0	115/1/60	103 MAIL	K52006.K5UK
WH-7	6.0	2.0	0.70	75	180	1.0	115/1/60	111 LAUNDRY	K52006.K5UK
WH-8	6.0	2.0	0.70	75	180	1.0	115/1/60	119 RAMP	K52006.K5UK
WH-9	6.0	2.0	0.70	75	180	1.0	115/1/60	129 BATHROOM	K52006.K5UK
WH-10	6.0	2.0	0.70	75	180	1.0	115/1/60	130 SHOWERS	K52006.K5UK
WH-11	3.8	2.0	0.40	50	180	1.0	115/1/60	130 SHOWERS	K52004.K5UK
WH-12	3.8	2.0	0.40	50	180	1.0	115/1/60	130 SHOWERS	K52004.K5UK
WH-13	3.8	2.0	0.40	50	180	1.0	115/1/60	130 SHOWERS	K52004.K5UK
KSH-1	3.8	2.0	0.40	50	180	1.0	115/1/60	RECEPTION DESK	K52004

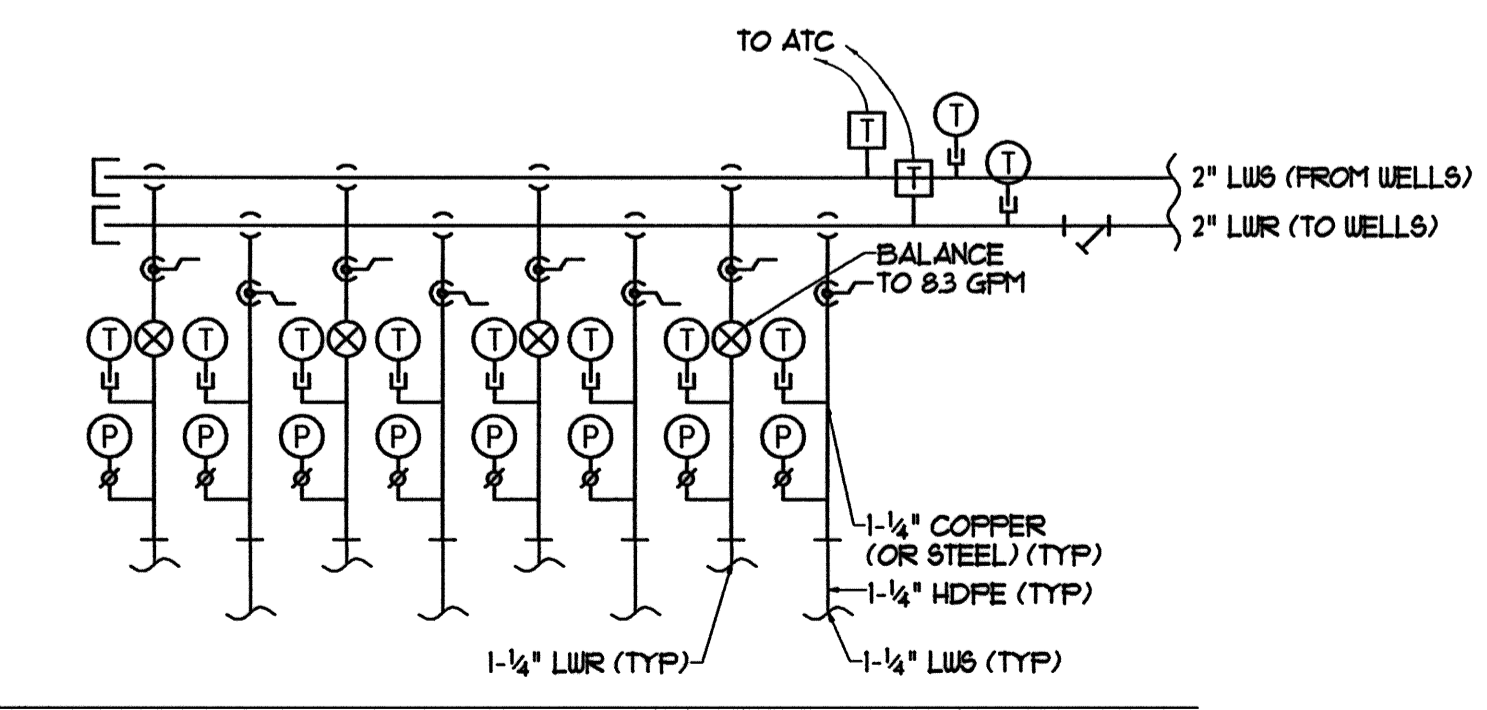
EXPANSION TANK PERFORMANCE SCHEDULE									
TAG	TANK VOLUME (GAL)	ACCEPTANCE VOLUME (GAL)	MIN REQ'D ACCEPT VOL. (GAL)	MAX WORK'G TEMPERATURE (DEG F)	MAX WORK'G PRESSURE (PSI)	WEIGHT (LBS)	BASIS OF DESIGN - TACO		
							MOUNTING	SERVICE	MODEL
ET-1	67.0	34.0	18.8	240	125	280	FLOOR	HUS/R	CBX-254
ET-2	22.0	12.0	5.9	240	125	150	FLOOR	LUS/R	CBX-84
ET-3	22.0	12.0	8.5	240	125	150	FLOOR	GLYCOL LOOP	CBX-84
ET-4	34.0	19.0	6.1	240	125	200	FLOOR	DOM. HU	PAX-130

FINTUBE PERFORMANCE SCHEDULE											
TAG	OUTPUT (BTU/Hr)	FLOW RATE (GPM)	MOUNT'G HEIGHT (IN)	ENCLOSURE HEIGHT (IN)	ELEMENT LENGTH (FT)	ENCLOSURE LENGTH (FT)	BASIS OF DESIGN - STERLING				
							TUBE SIZE (IN)	FINS/FOOT	NO. OF TIERS	MODEL	
FTR-1	700	2.0	0	9	*	**	3/4"	55	1	SENIOR	
FTR-2	900	2.0	4.0	14.0	**	**	3/4"	50	1	JVA-514 / C3/4-35	

* - ELEMENT LENGTH SHALL BE AS REQUIRED TO MEET INDICATED LOAD.
 ** - ENCLOSURE LENGTH SHALL BE ELEMENT LENGTH PLUS 12" OR WALL TO WALL (AS INDICATED ON DRAWINGS).
 *** - FINTUBE IN BATHROOMS SHALL HAVE CORROSION RESISTANT ENCLOSURE

PLUMBING FIXTURE CONNECTION SCHEDULE				
TAG	DESCRIPTION	SAN	VENT	HU
P-1	FLOOR MOUNTED FV UC	3"	2"	1"
P-1A	ADA FLOOR MOUNTED FV UC	3"	2"	1"
P-1B	ADA FLOOR MOUNTED TT UC	3"	2"	1/2"
P-2	ADA COUNTERTOP LAVATORY	1-1/2"	1-1/2"	1/2"
P-2A	ADA WALL HUNG LAVATORY	1-1/2"	1-1/2"	1/2"
P-2B	ADA WALL HUNG MULTILAV UNIT	1-1/2"	1-1/2"	1/2"
P-3	SHOWER, 36"x36"	2"	2"	1/2"
P-3A	ADA SHOWER, 36"x36"	2"	2"	1/2"
P-3B	ADA ROLL-IN SHOWER, 60"x30"	2"	2"	1/2"
P-4	SINGLE BOUL SS KITCHEN SINK	1-1/2"	1-1/2"	1/2"
P-4A	ADA SINGLE BOUL SS KITCHEN SINK	1-1/2"	1-1/2"	1/2"
P-4B	ADA DOUBLE BOUL SS KITCHEN SINK	1-1/2"	1-1/2"	1/2"
P-4C	ADA SS BAR SINK	1-1/2"	1-1/2"	1/2"
P-5	JANITORS SINK	3"	2"	3/4"
P-6	LAUNDRY TUB	2"	1-1/2"	1/2"
P-7	WASHING MACHINE HOOK-UP	2"	1-1/2"	1/2"
P-8	SALON SINK	2"	1-1/2"	1/2"
FD-1	FLOOR DRAIN (W/ TRAP PRIMER)	2"	1-1/2"	1/2"
FD-2	FLOOR DRAIN (W/ TRAP PRIMER)	2"	1-1/2"	1/2"
FFHB	FREEZE PROOF HOSE BIBBS	-	-	3/4"

MINIMUM SIZE OF BELOW SLAB SANITARY & VENT PIPING SHALL BE 2".
 TRAP PRIMERS ON FLOOR DRAINS SHALL BE CONNECTED TO NEAREST FIXTURE.
 * - TRAP PRIMER CONNECTION



GROUND SOURCE HEAT PUMP MANIFOLD SCHEMATIC

NOTE - QUANTITY OF LOOPS AS INDICATED ON DRAWINGS



FLORENCE HOUSE
 190 VALLEY STREET
 PORTLAND, MAINE

REVISIONS		
#	DATE	DESCRIPTION
1	4.03.07	CONTRACT ZONE SUBMISSION
2	5.01.07	CONTRACT ZONE SUBMISSION
3	7.10.07	CONTRACT ZONE SUBMISSION
4	9.04.07	SITE PLAN AND SUBDIVISION REVIEW
5	10.02.07	FINAL SITE PLAN REVIEW
6	11.15.07	50% REVIEW SET
7	12.04.07	50% MAINE HOUSING REVIEW SET
8	05.02.08	50% MAINE HOUSING REVIEW SET
9	07.31.08	100% MAINE HOUSING REVIEW SET
10	09.02.08	100% BID DOCUMENTS

DATE:	09/02/08
PROJECT #	100405
DRAWN BY:	JMV
CHECKED BY:	SPDool
DRAWING SCALE	AS NOTED

SHEET TITLE
 MECHANICAL SCHEDULES

M302
 © COPYRIGHT 1985-2008
 REPRODUCTION OR REUSE OF THIS DOCUMENT WITHOUT WRITTEN PERMISSION OF GAWRON TURGEON ARCHITECTS IS PROHIBITED