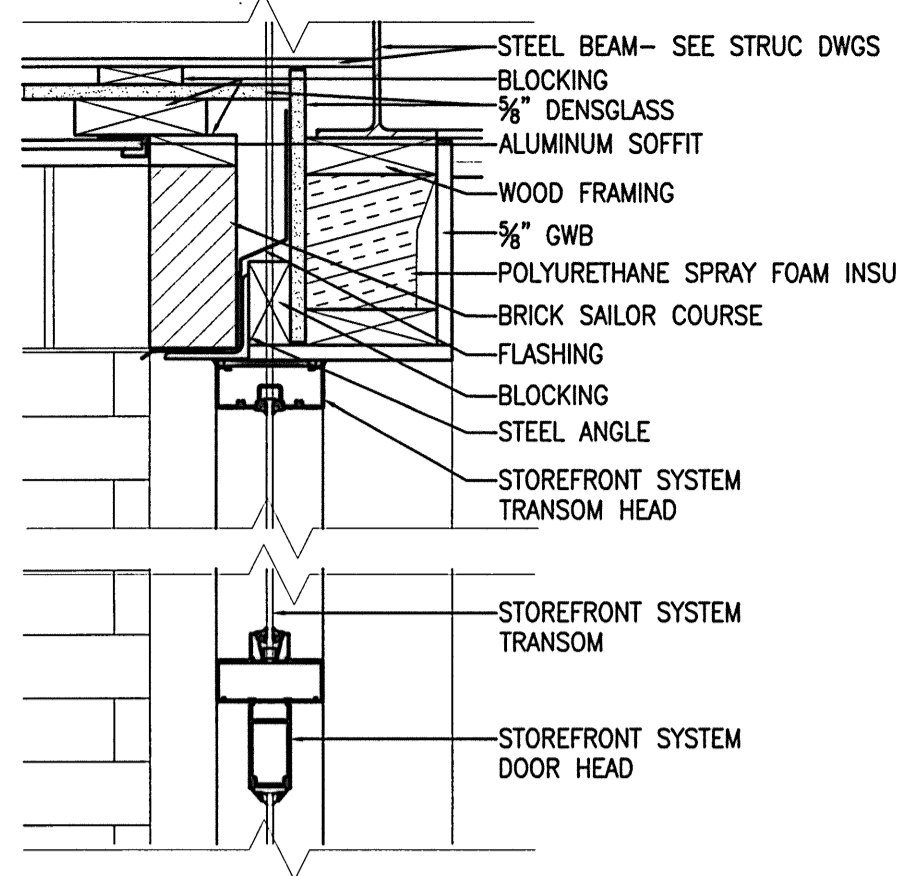
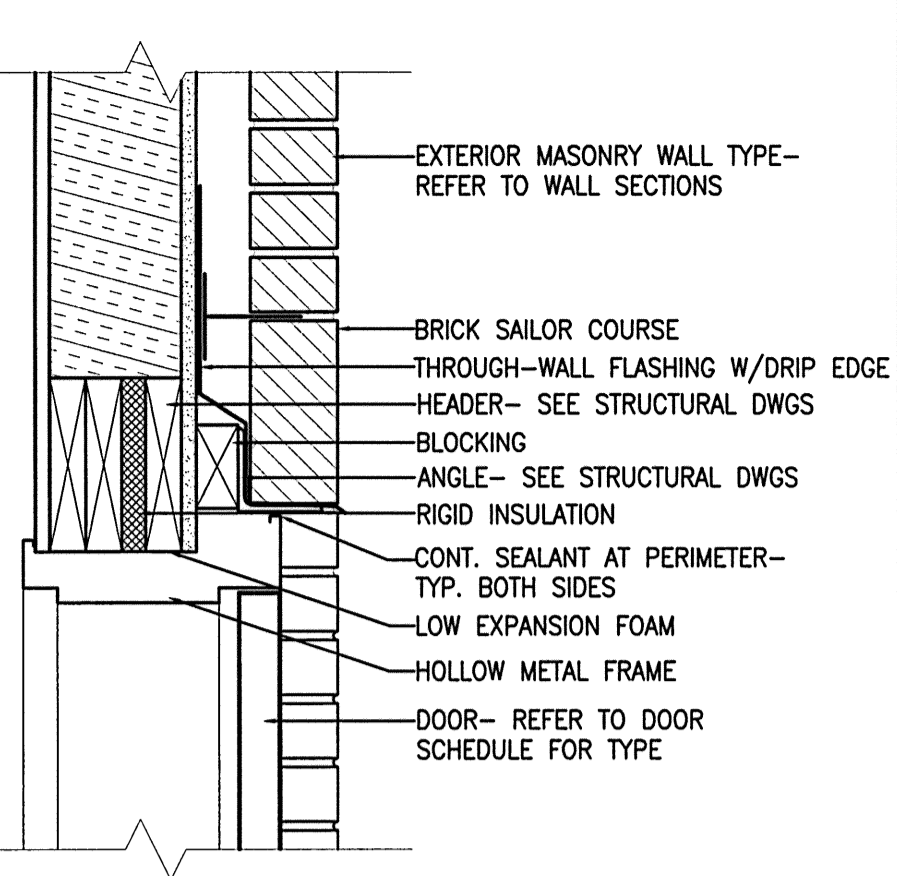


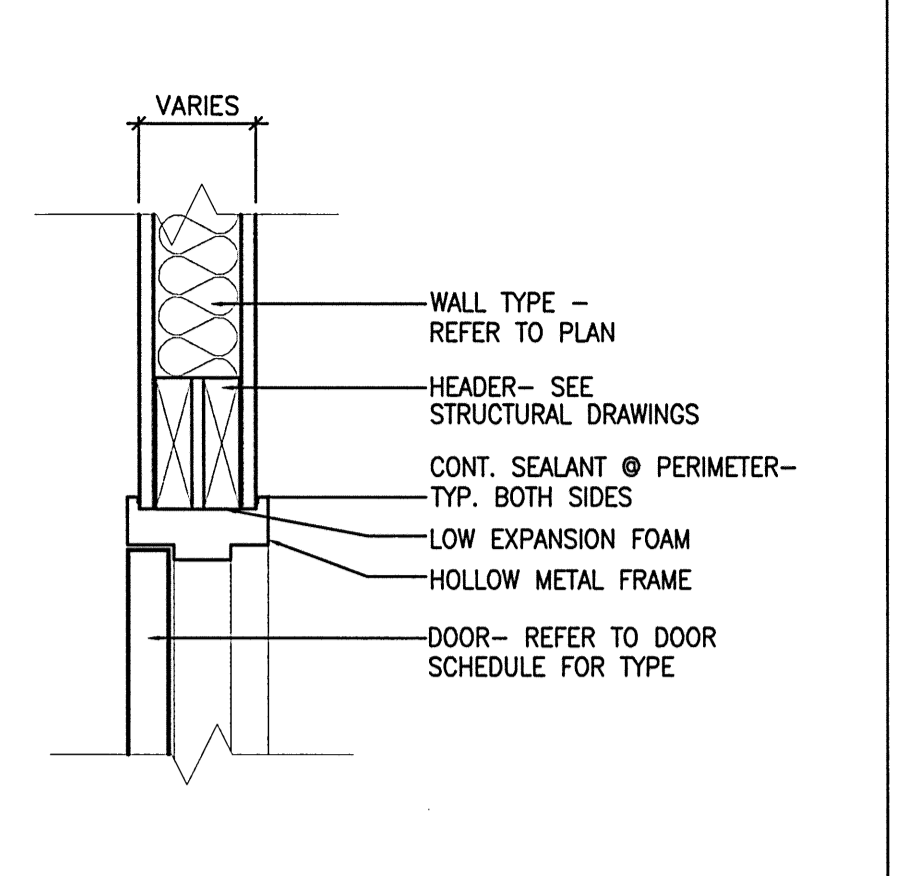
J1 DOOR TYPES
1/4" = 1'-0"



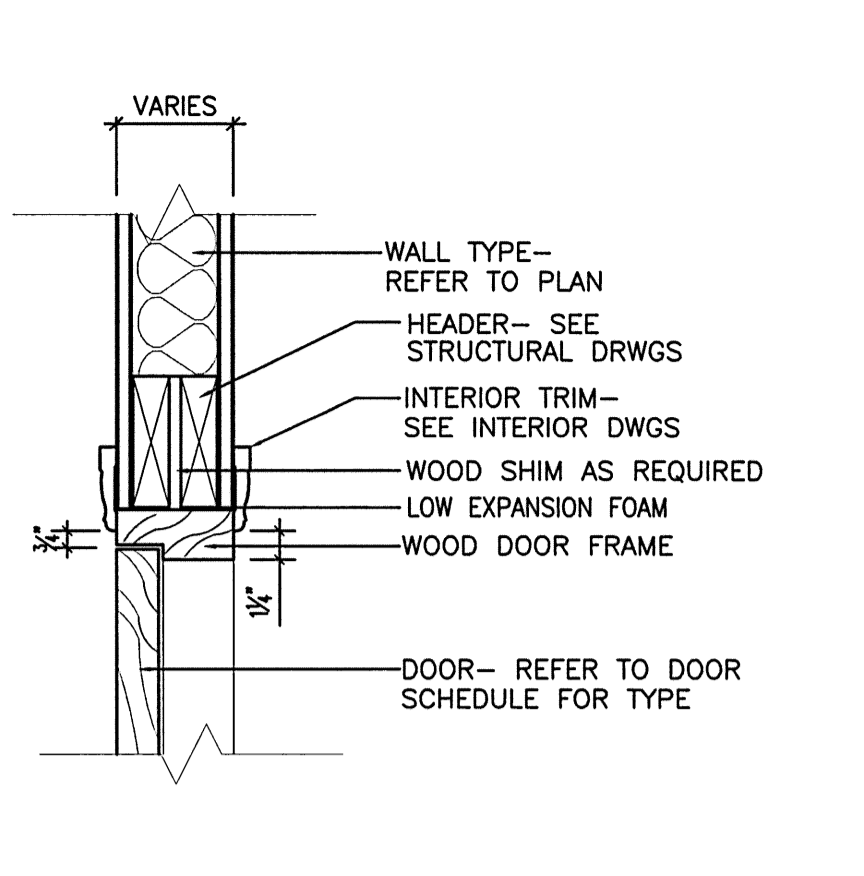
N9 DOOR HEAD DETAIL
1 1/2" = 1'-0" EXTERIOR-STOREFRONT



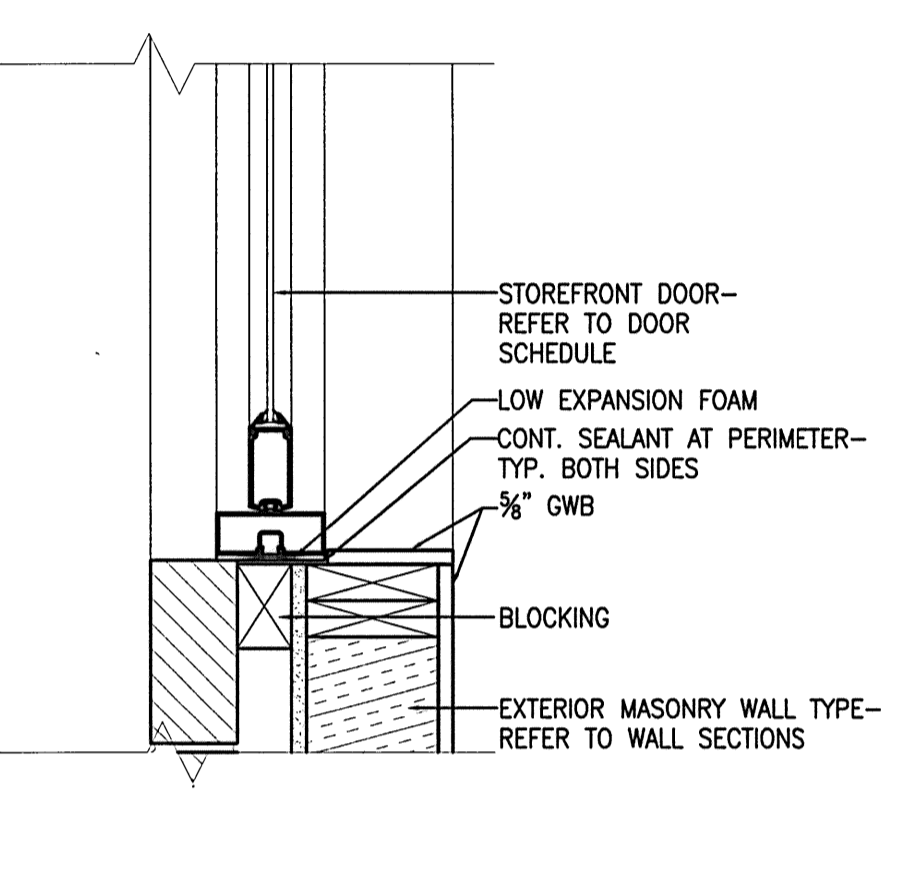
N12 DOOR HEAD DETAIL
1 1/2" = 1'-0" EXTERIOR



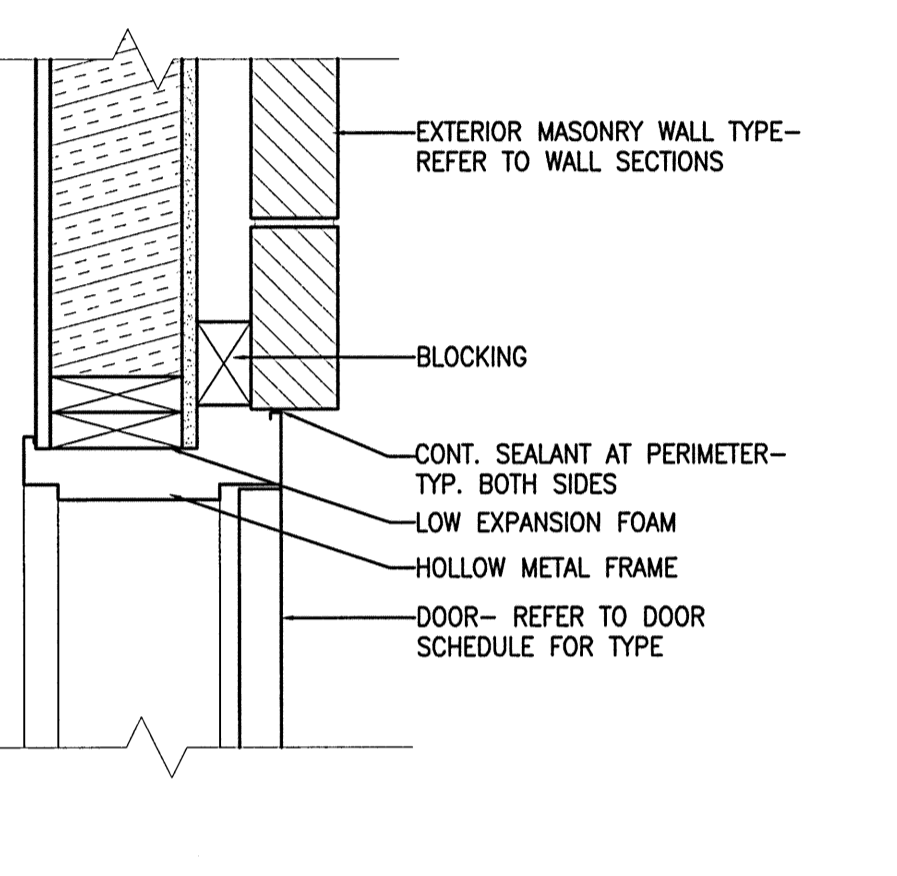
N15 DOOR HEAD DETAIL
1 1/2" = 1'-0" INTERIOR- HOLLOW METAL FRAME



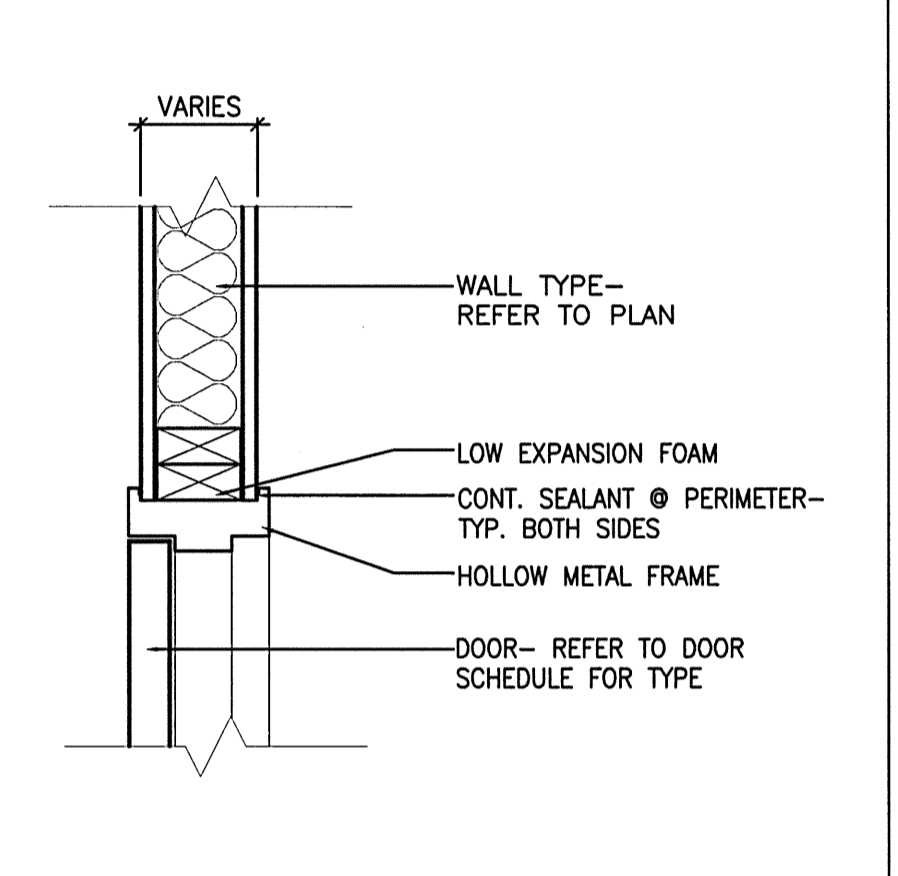
N18 DOOR HEAD DETAIL
1 1/2" = 1'-0" INTERIOR- WOOD



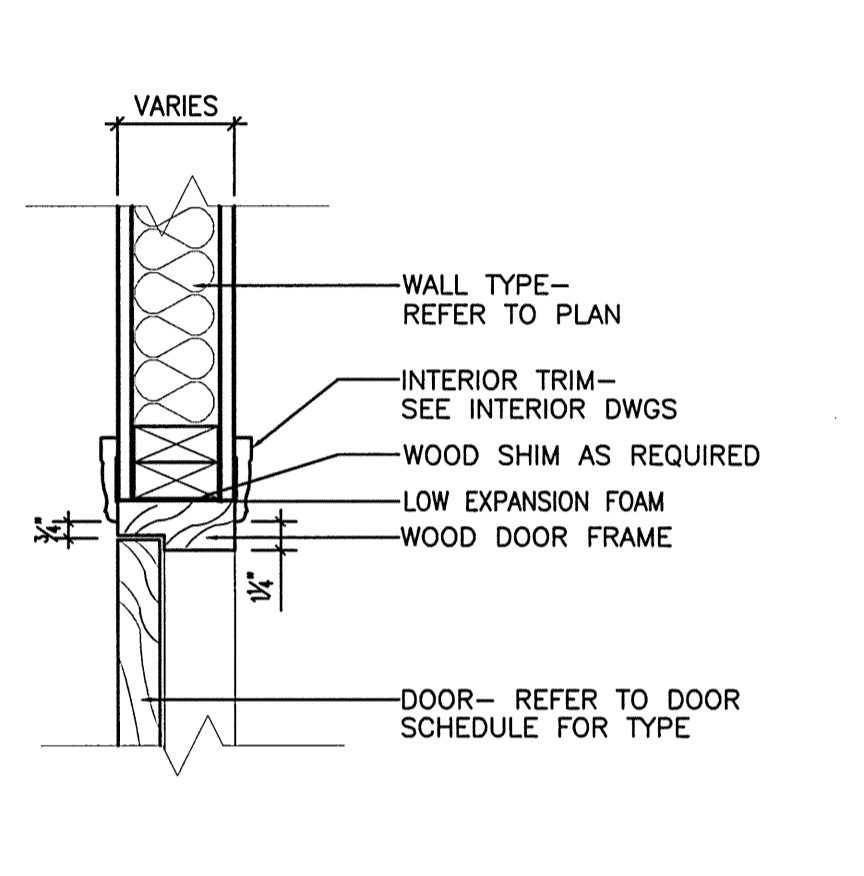
J9 DOOR JAMB DETAIL
1 1/2" = 1'-0" EXTERIOR- STOREFRONT @ BRICK



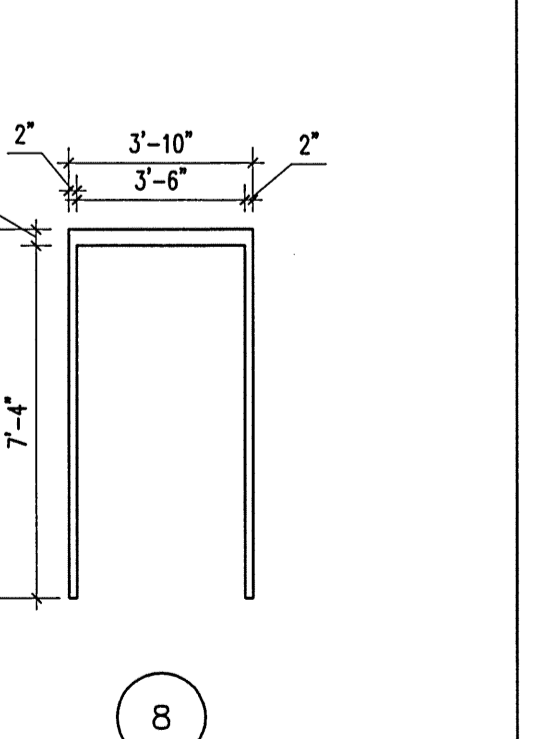
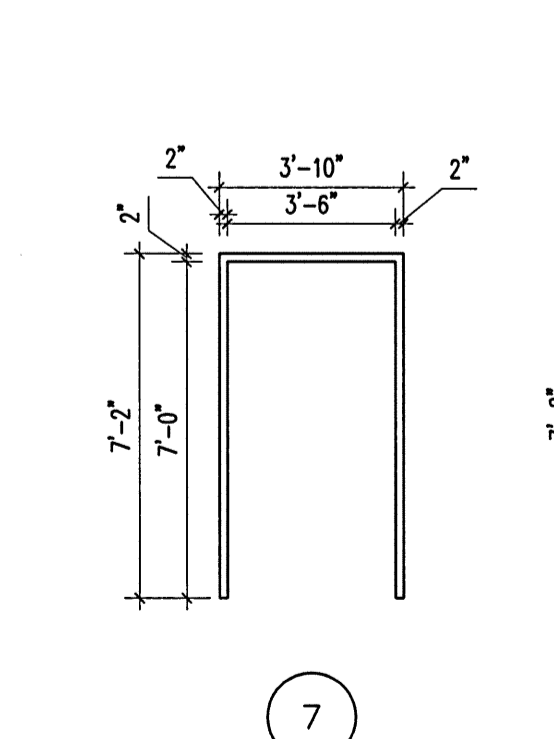
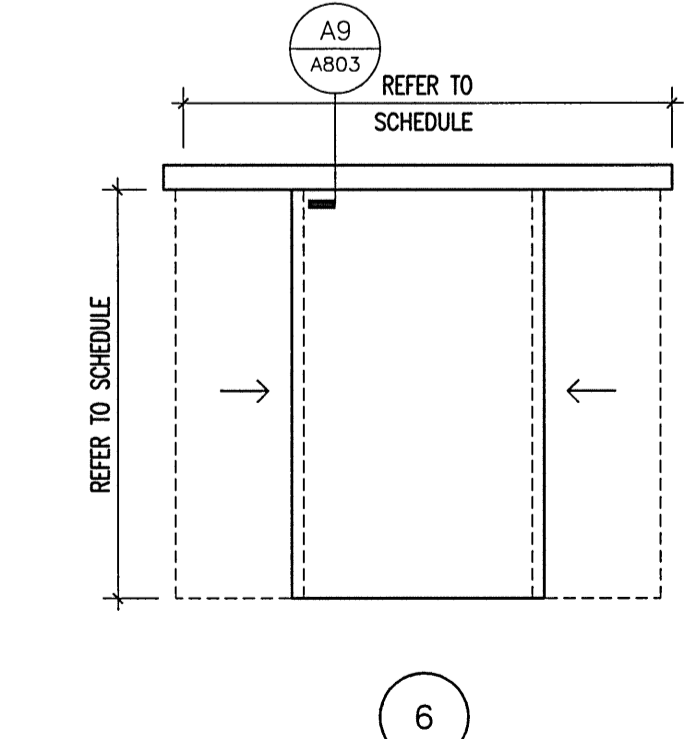
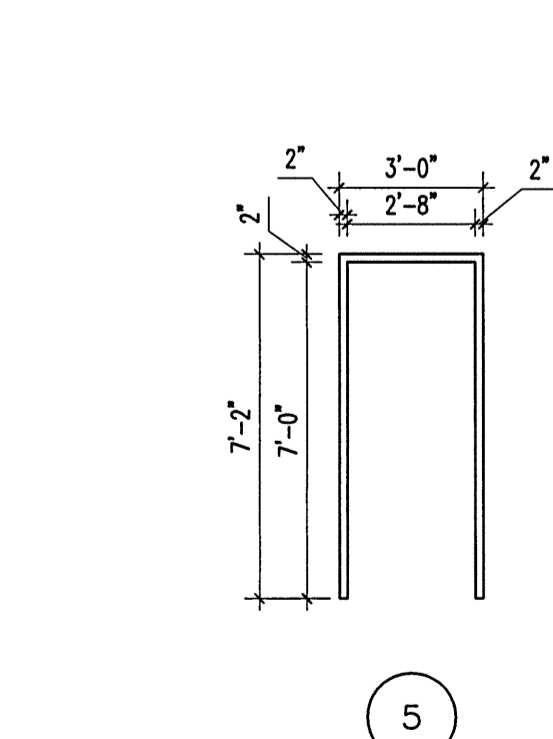
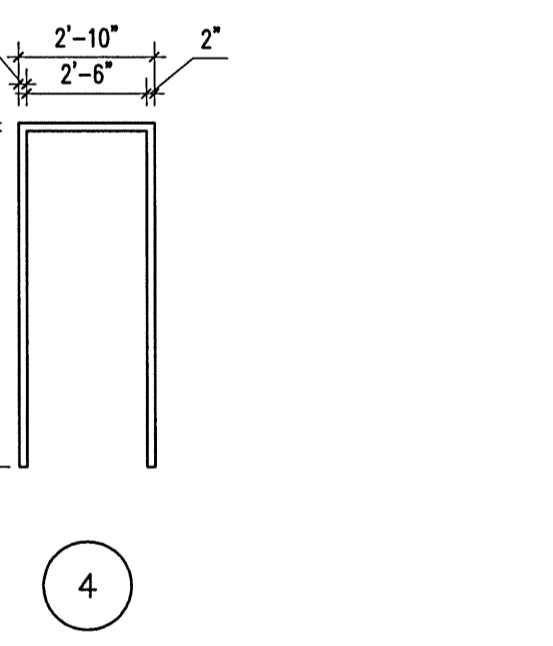
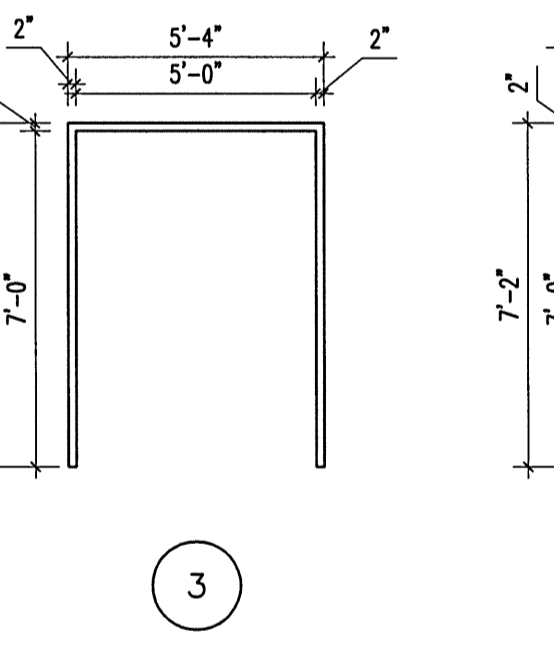
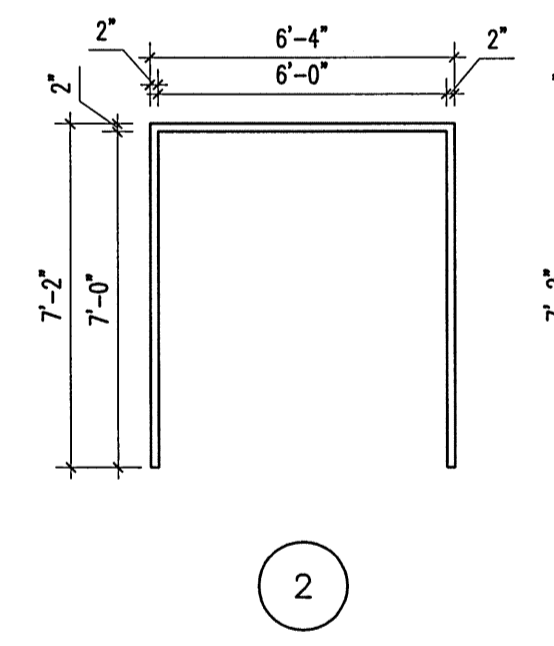
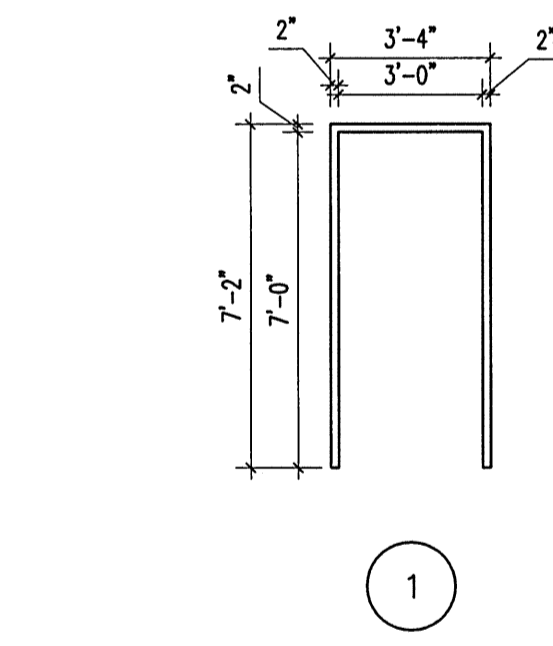
J12 DOOR JAMB DETAIL
1 1/2" = 1'-0" EXTERIOR



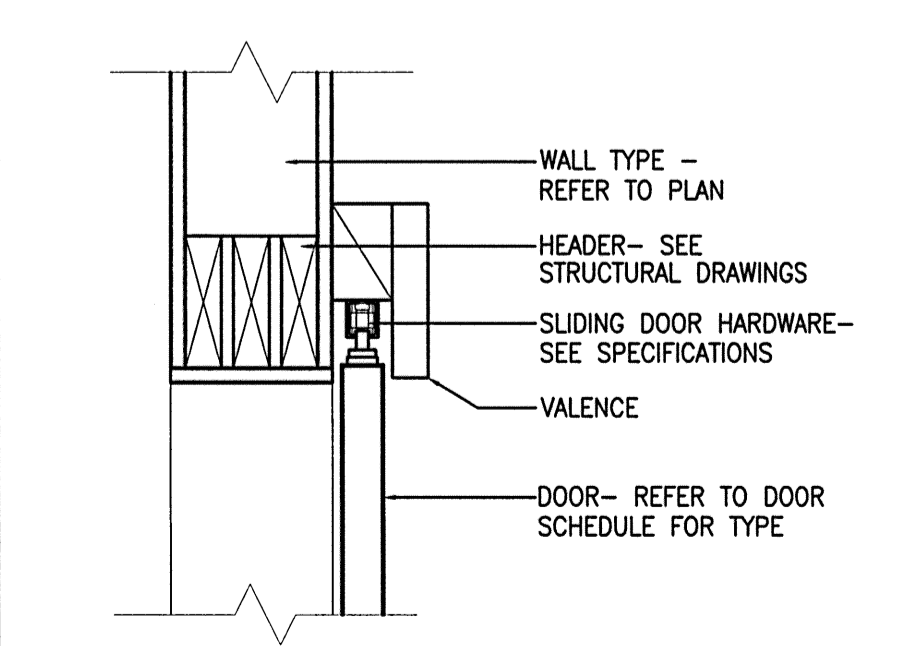
J15 DOOR JAMB DETAIL
1 1/2" = 1'-0" INTERIOR- HOLLOW METAL FRAME



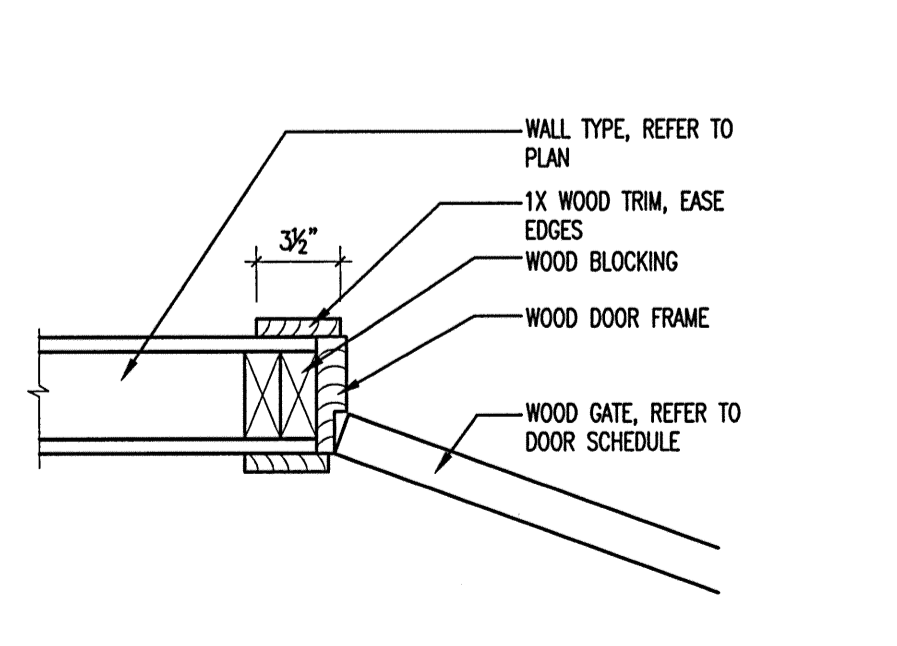
J18 DOOR JAMB DETAIL
1 1/2" = 1'-0" INTERIOR- WOOD



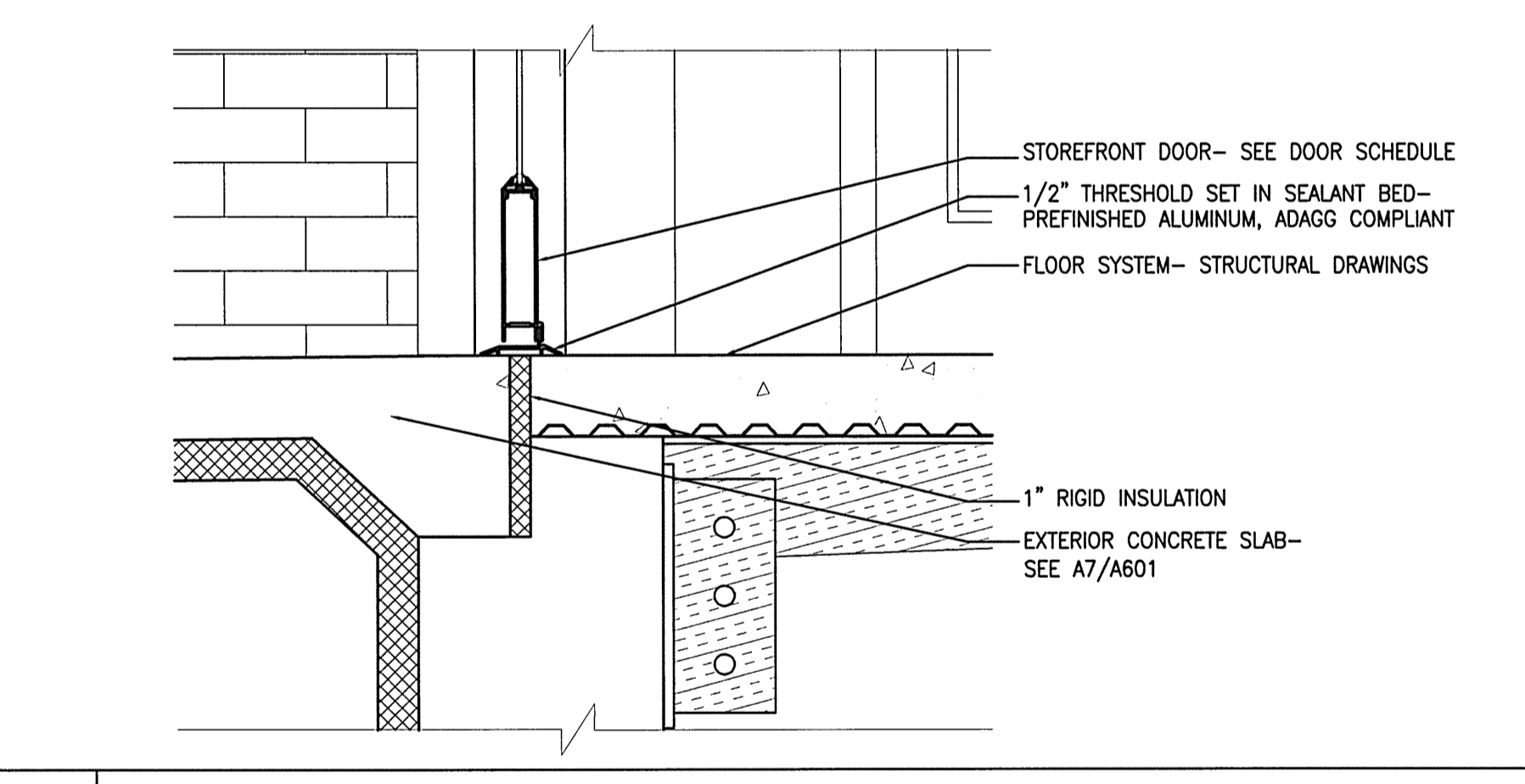
A1 DOOR FRAMES
1/4" = 1'-0"



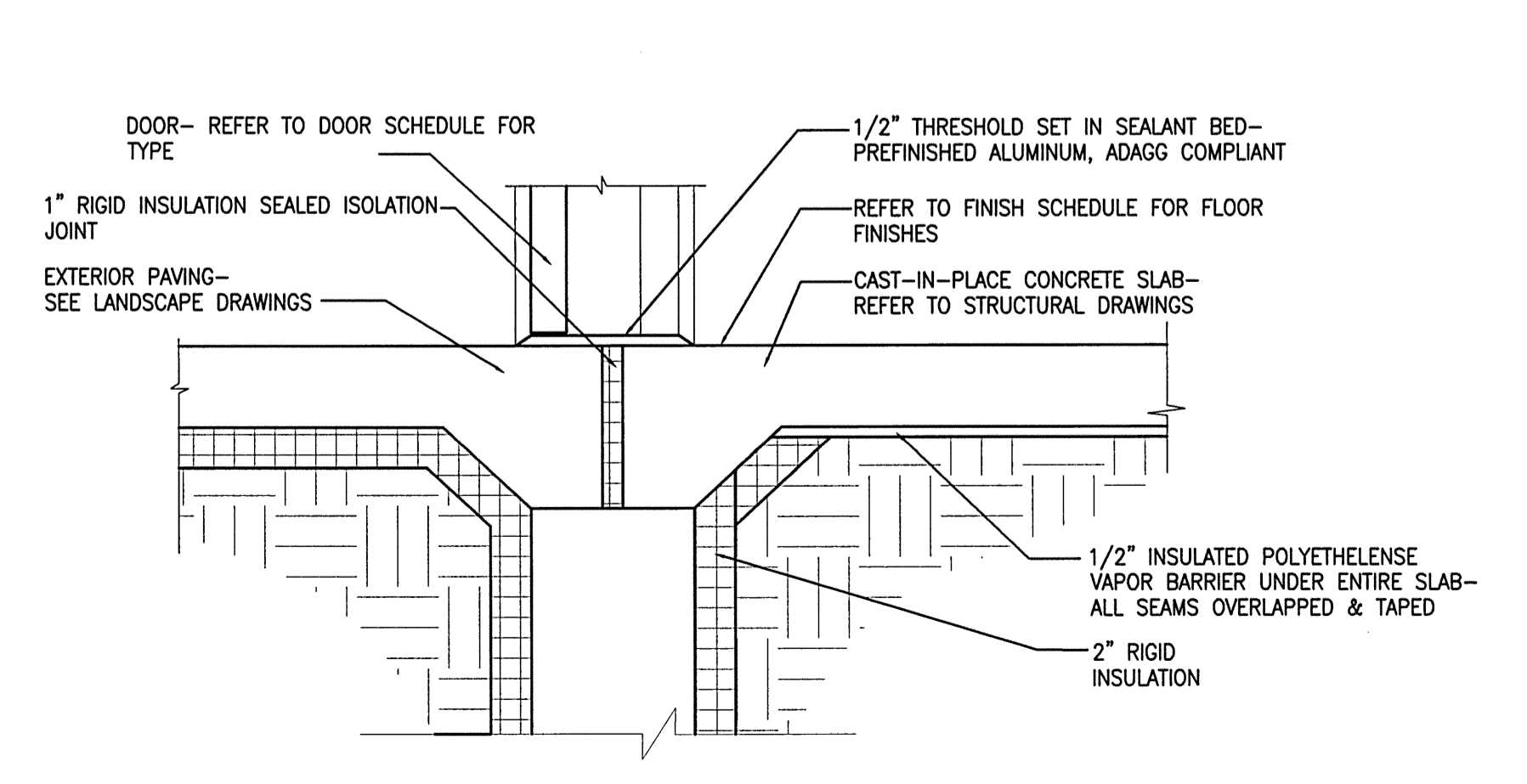
A9 BI-PARTING DOORS DTL
1 1/2" = 1'-0" @ EMERGENCY SHELTER



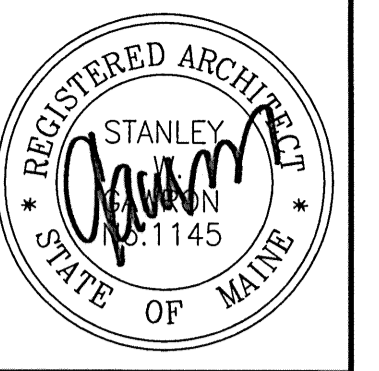
A12 GATE JAMB DETAIL
1 1/2" = 1'-0"



E15 STOREFRONT DOOR SILL DETAIL
1 1/2" = 1'-0"



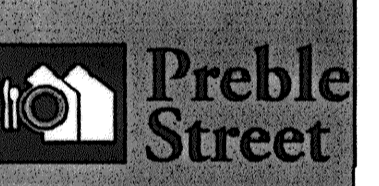
A15 TYPICAL ADA DOOR SILL DETAIL
1 1/2" = 1'-0"



Gawron Turgeon ARCHITECTS
29 Black Point Road
Scarborough, Maine 04074
www.gawronturgeon.com
207-883-6307 ext. 207-883-0361 fax



FLORENCE HOUSE
190 VALLEY STREET
PORTLAND, MAINE



REVISIONS		
#	DATE	DESCRIPTION
1	4.03.07	CONTRACT ZONE SUBMISSION
2	5.01.07	CONTRACT ZONE SUBMISSION
3	7.10.07	CONTRACT ZONE SUBMISSION
4	9.04.07	SITE PLAN AND SUBDIVISION REVIEW
5	10.02.07	FINAL SITE PLAN REVIEW
6	11.15.07	50% REVIEW SET
7	12.04.07	50% MAINE HOUSING REVIEW SET
8	05.02.08	95% MAINE HOUSING REVIEW SET
9	07.31.08	100% MAINE HOUSING REVIEW SET
10	09.02.08	100% BID DOCUMENTS

DATE:	09/02/08
PROJECT #:	100405
DRAWN BY:	AEP
CHECKED BY:	RLD
DRAWING SCALE:	VARIES

SHEET TITLE
DOOR TYPES & DETAILS

A803

© COPYRIGHT 1985-2008
REPRODUCTION OR RESALE OF THIS DOCUMENT WITHOUT WRITTEN PERMISSION OF GAWRON TURGEON ARCHITECTS IS PROHIBITED.