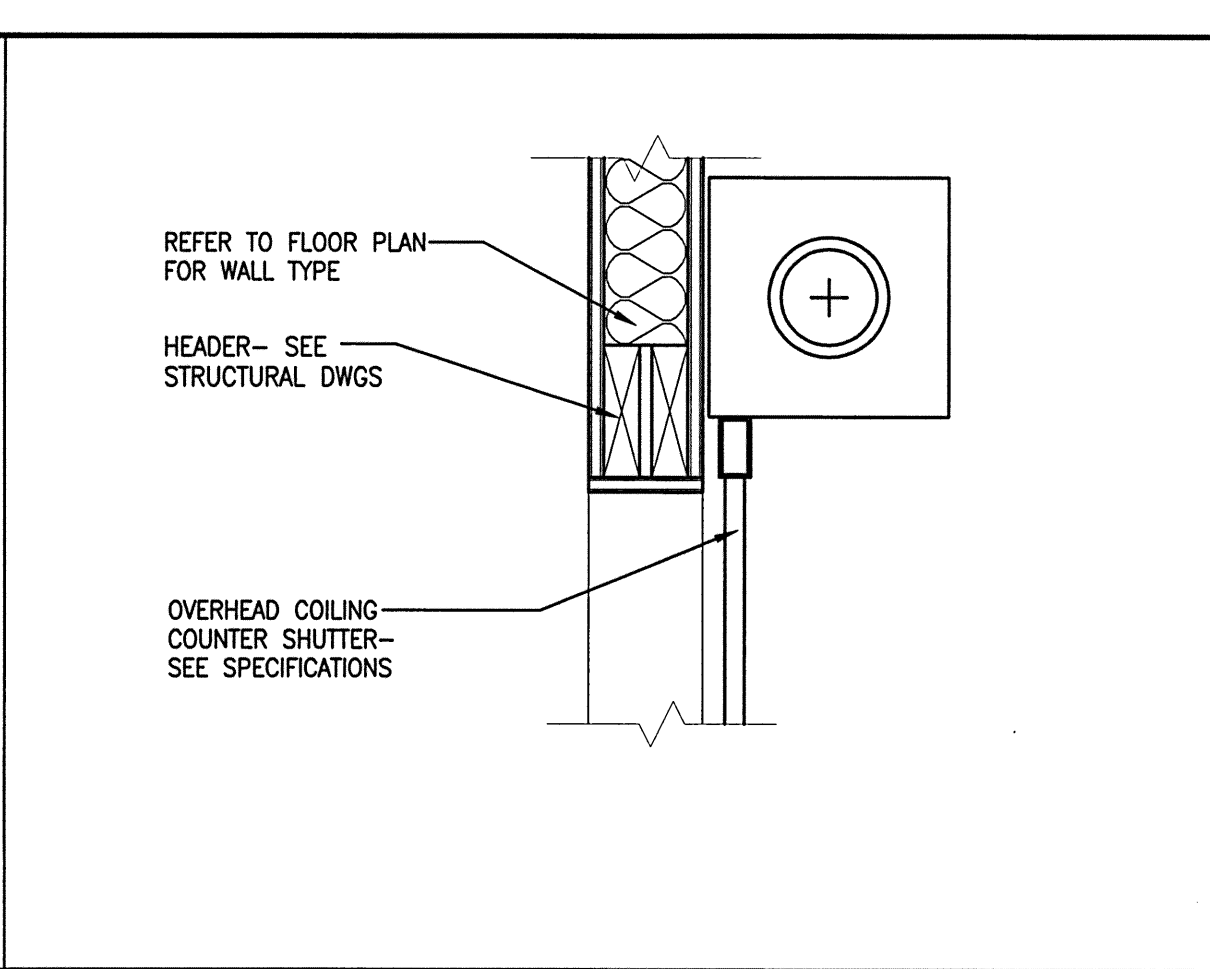
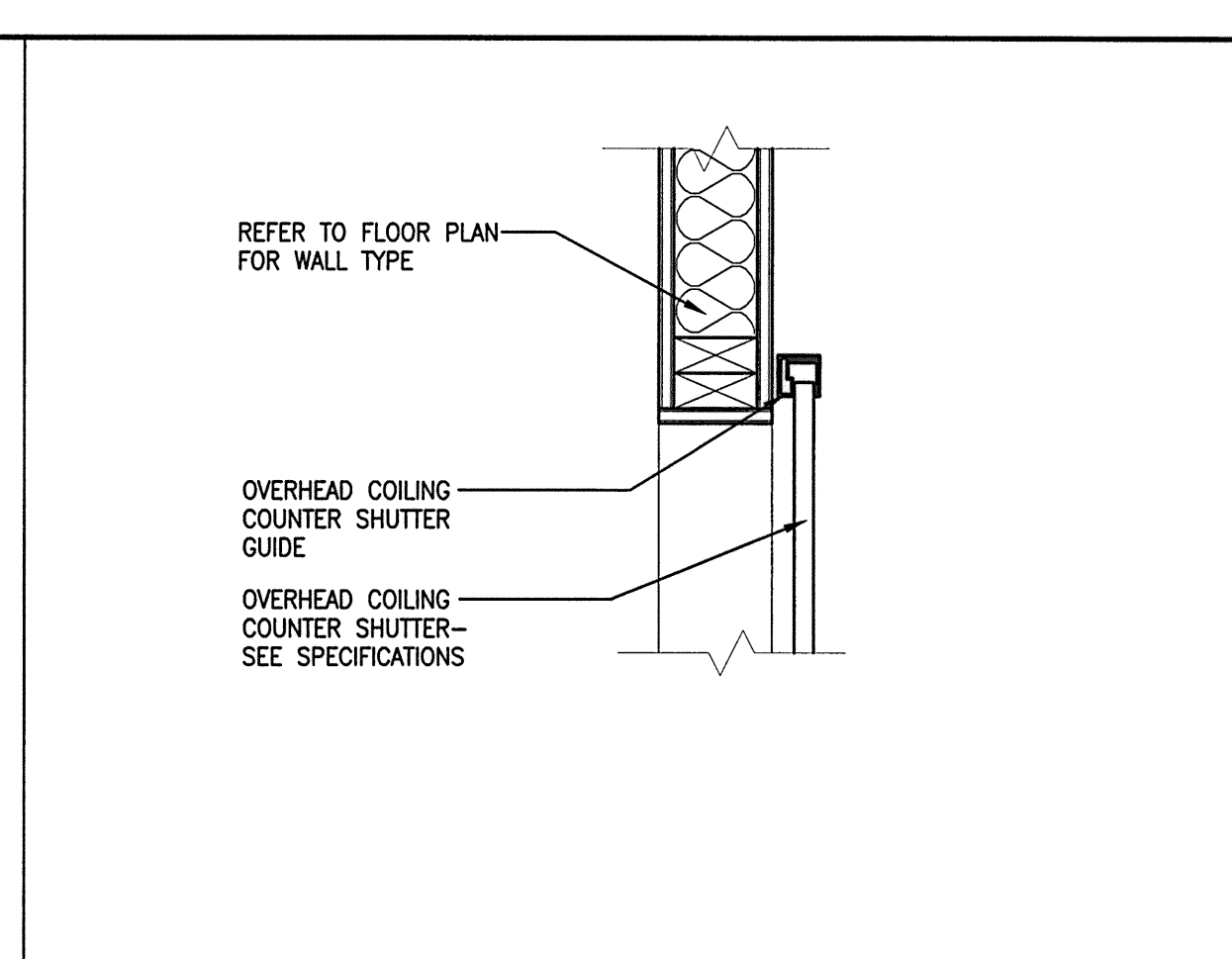


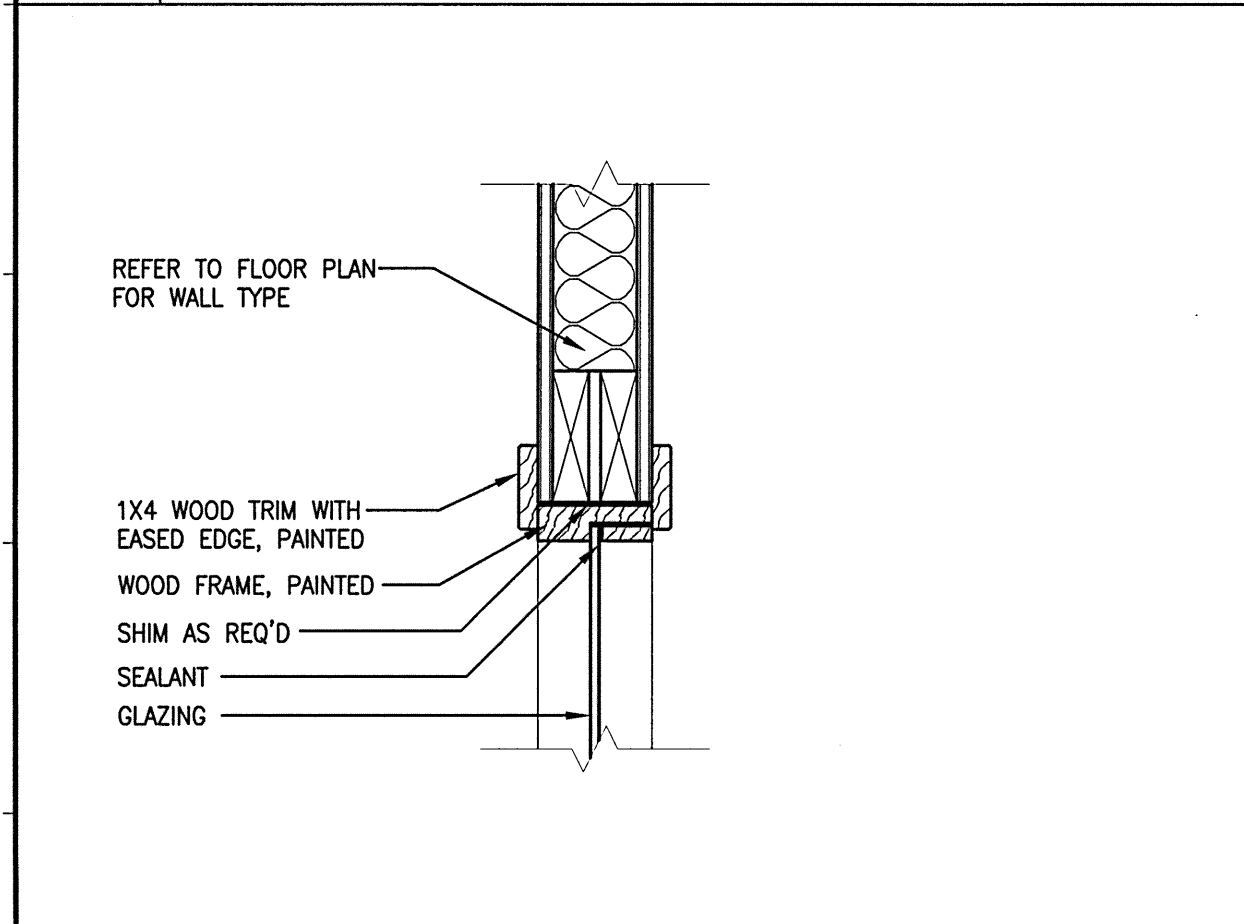
N1 INTERIOR WINDOW ELEVATIONS
1/4" = 1'-0"



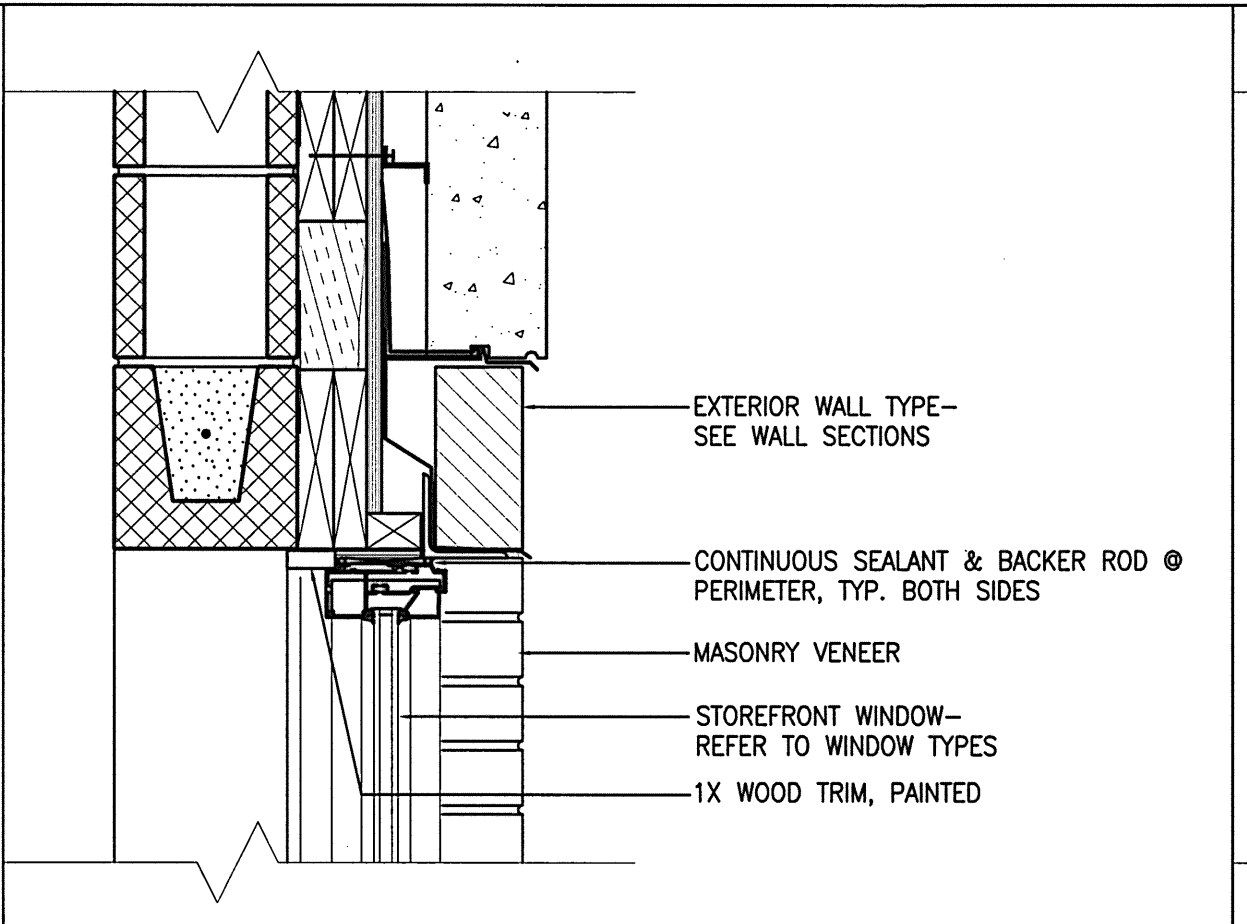
N13 O.H.COILING COUNTER SHUTTER DTL
1 1/2" = 1'-0" HEAD DETAIL



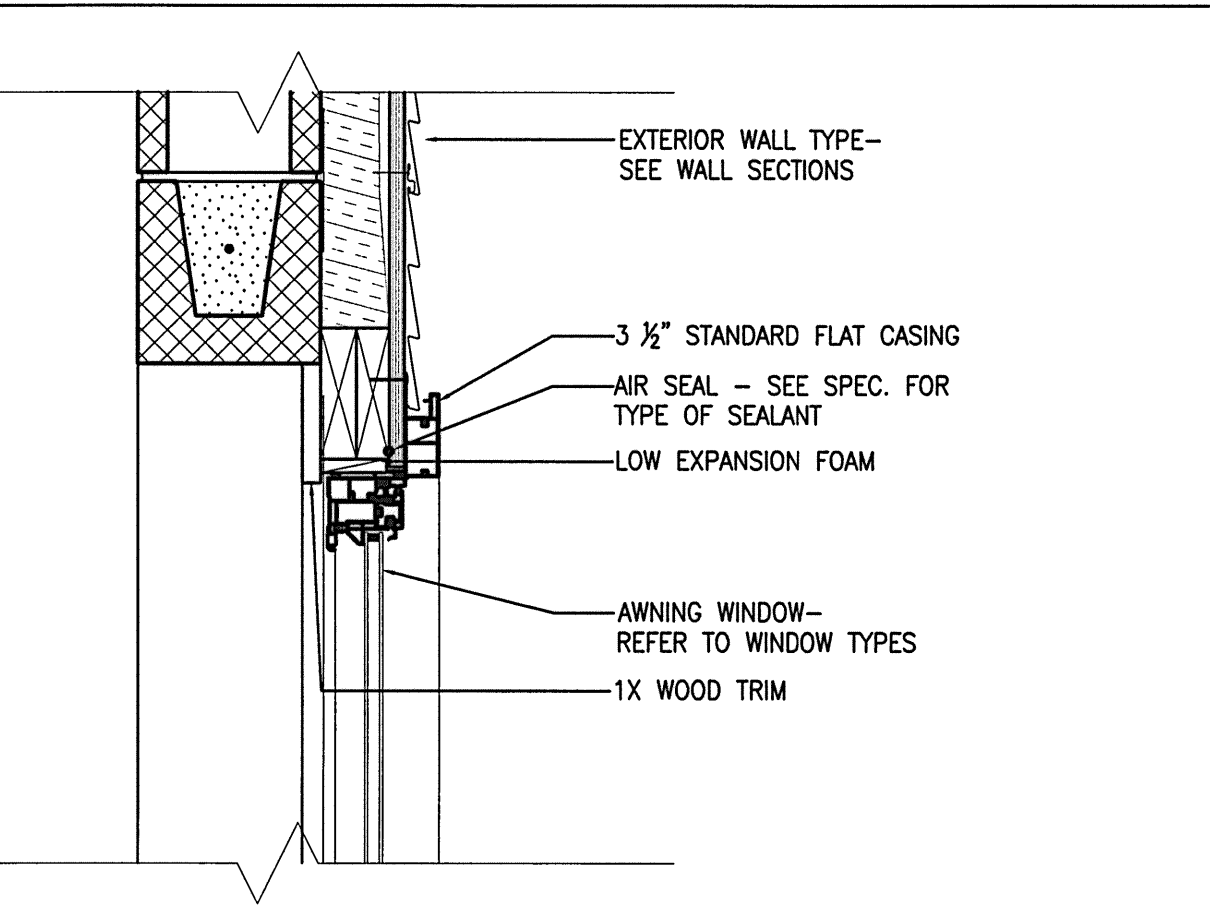
N17 O.H.COILING COUNTER SHUTTER DTL
1 1/2" = 1'-0" JAMB DETAIL



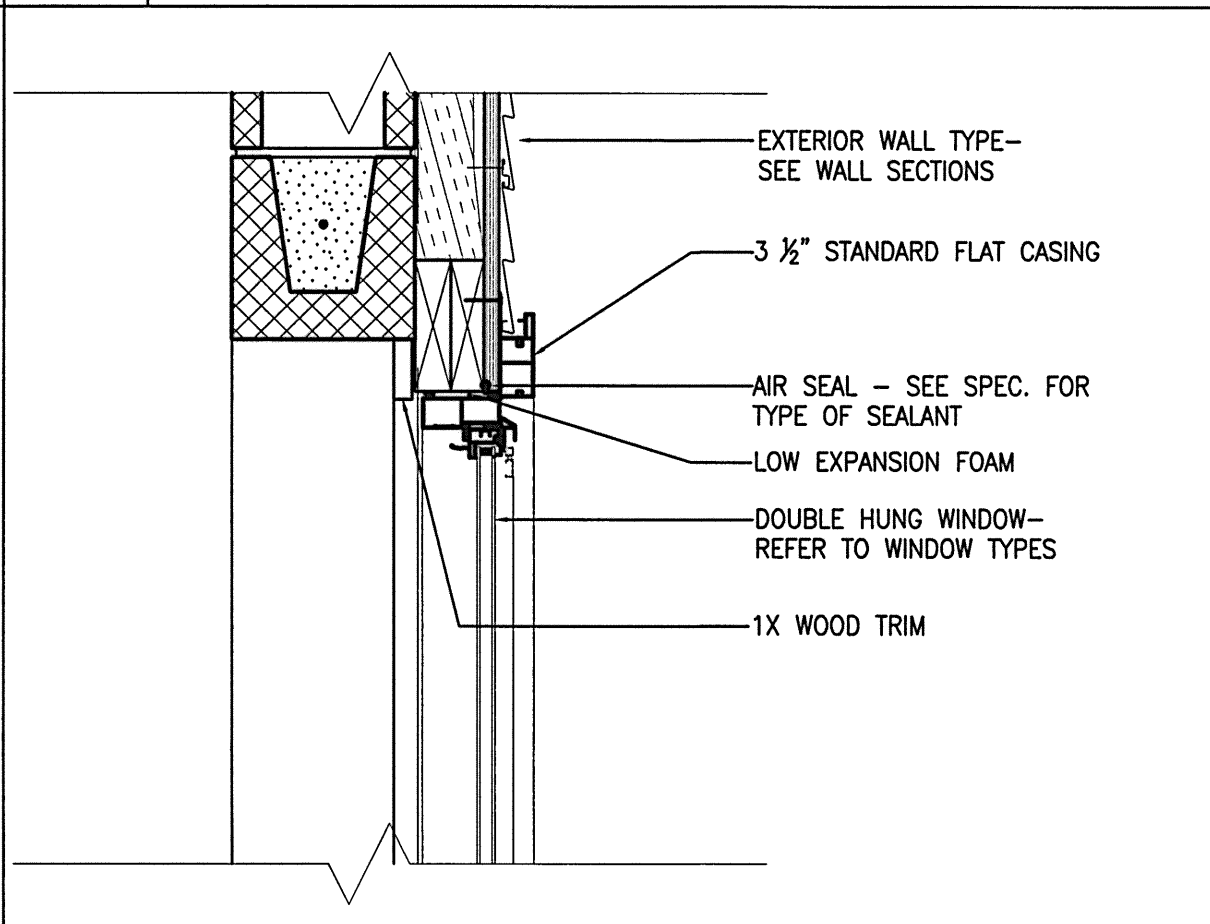
J1 INTERIOR HEAD DETAIL
1 1/2" = 1'-0"



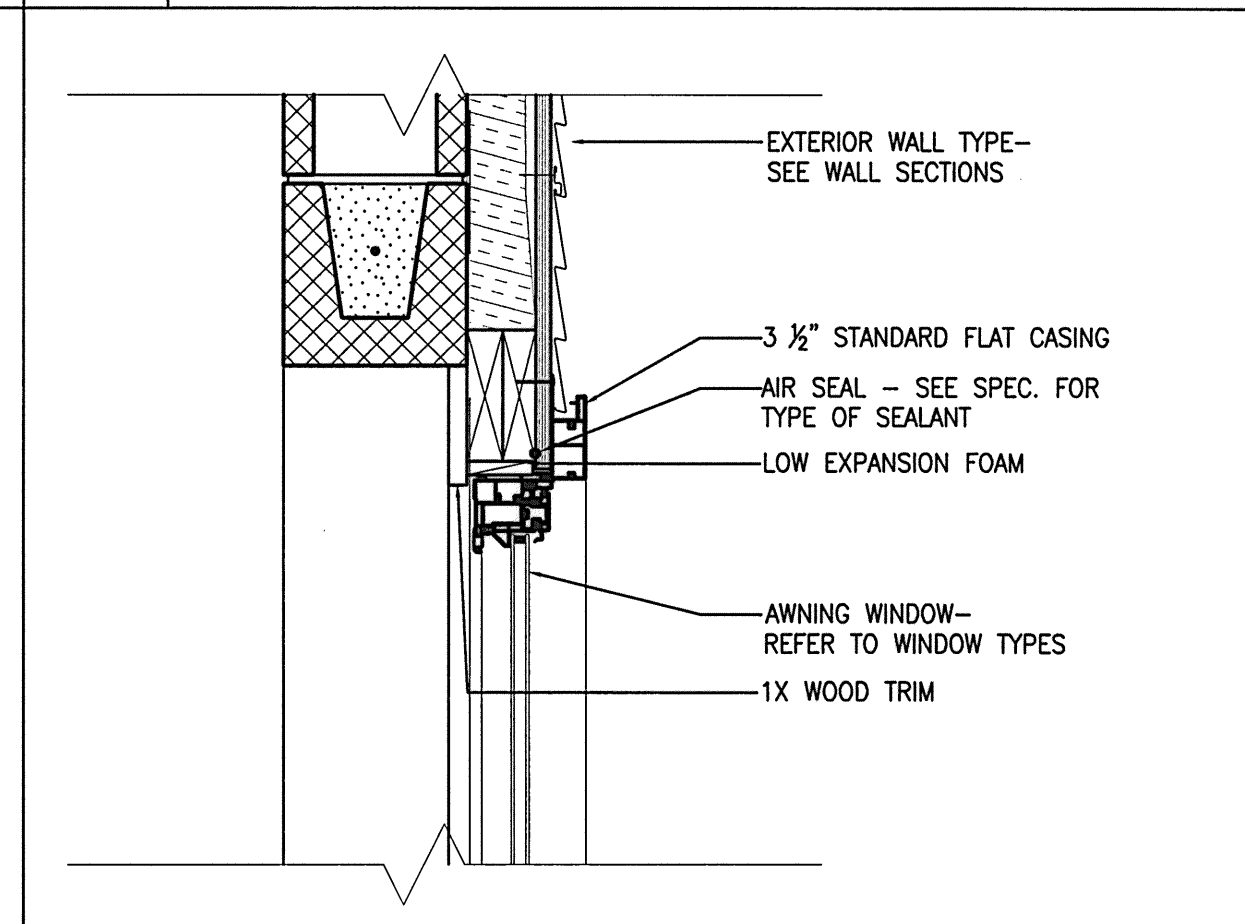
J5 STOREFRONT HEAD DETAIL @ CMU
1 1/2" = 1'-0" OPERABLE



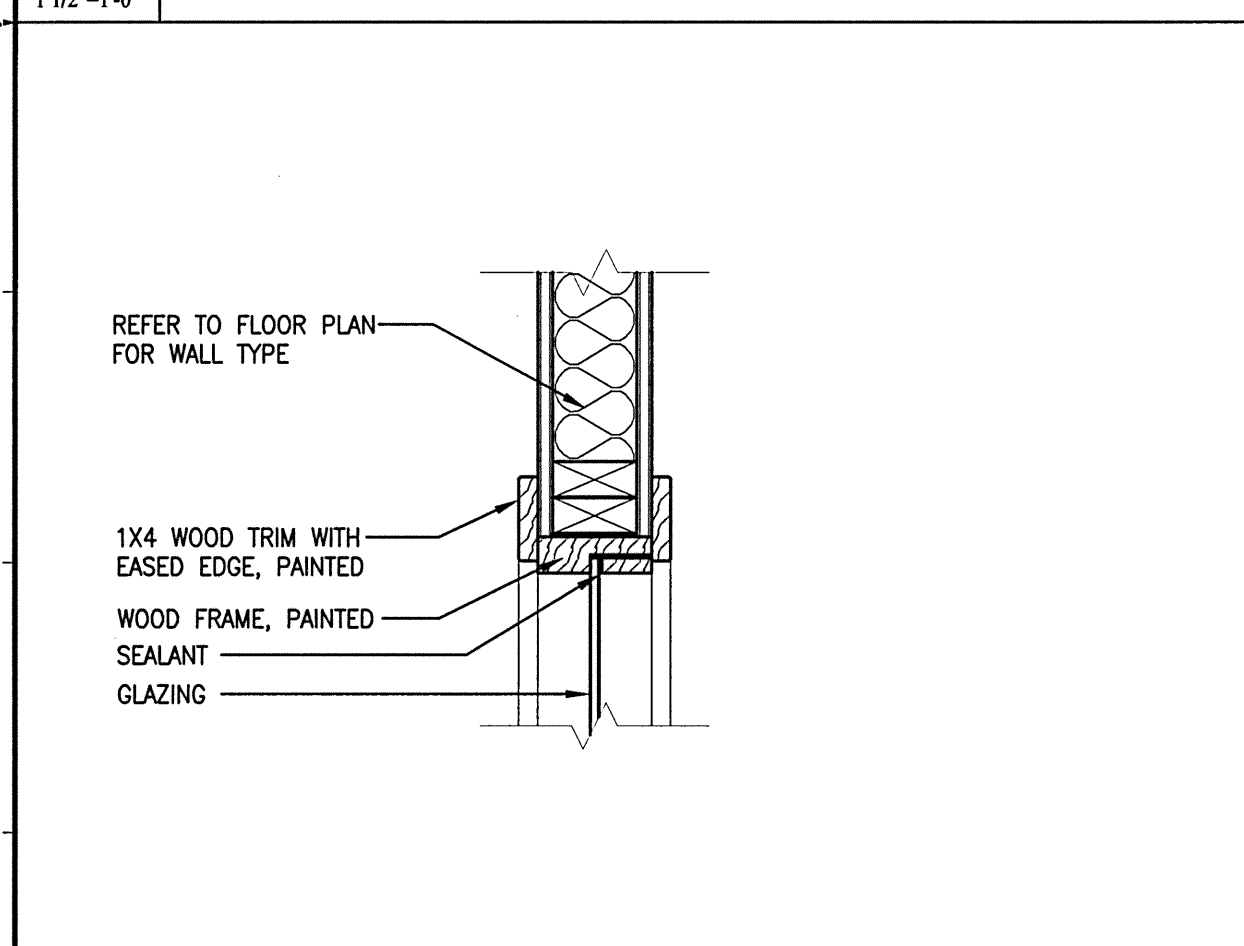
J9 STOREFRONT HEAD DETAIL @ CMU
1 1/2" = 1'-0" FIXED



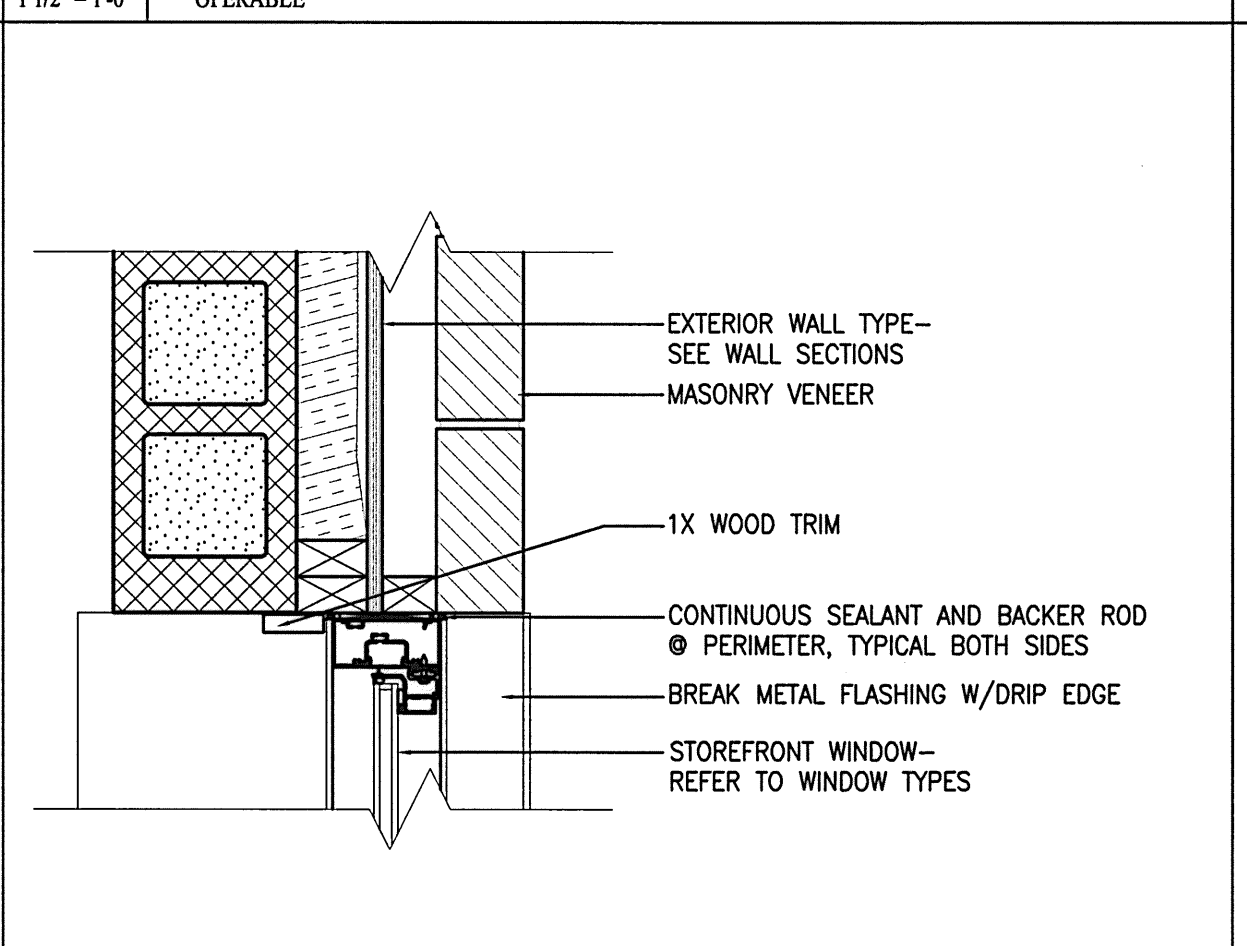
J13 DOUBLE HUNG HEAD DETAIL @ CMU
1 1/2" = 1'-0"



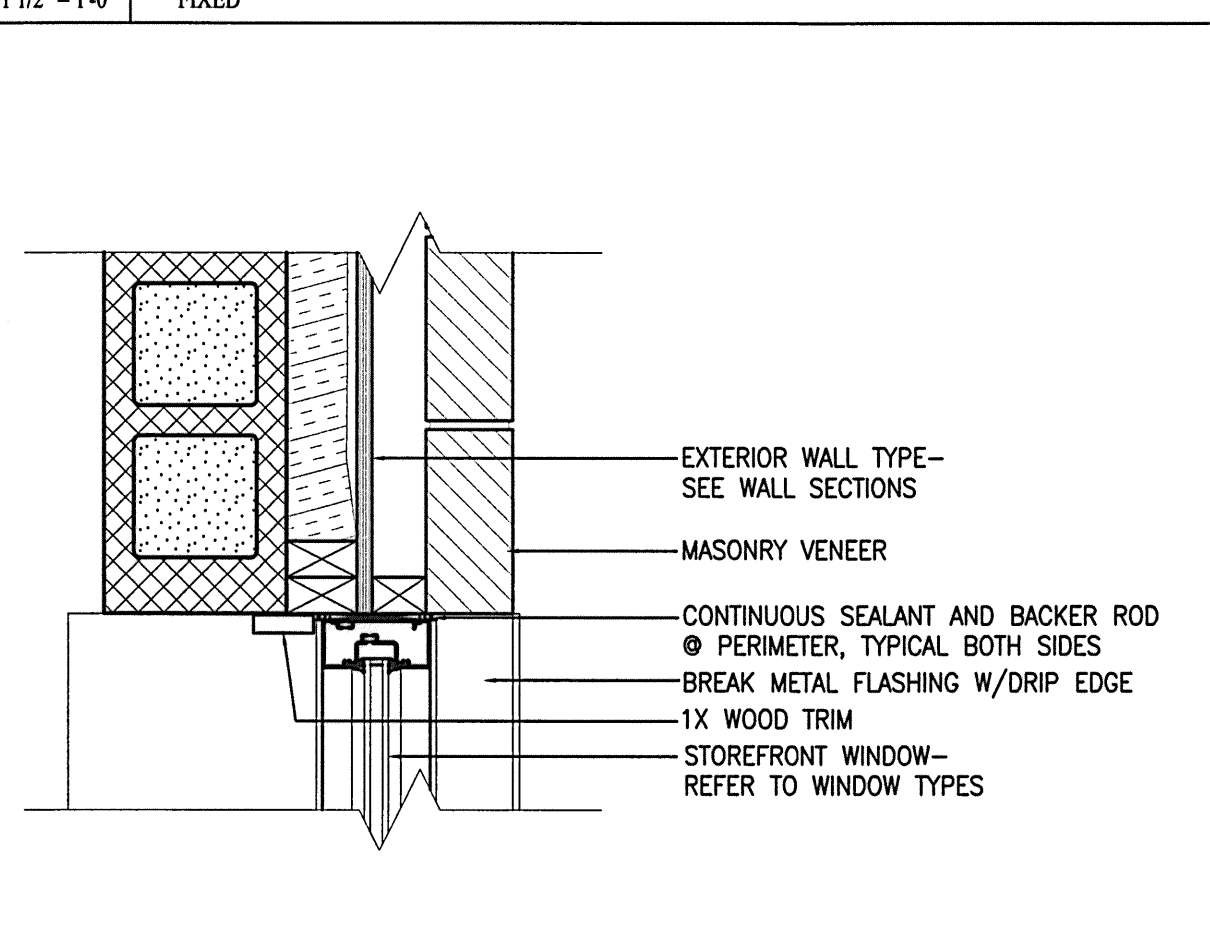
J17 AWNING HEAD DETAIL @ CMU
1 1/2" = 1'-0"



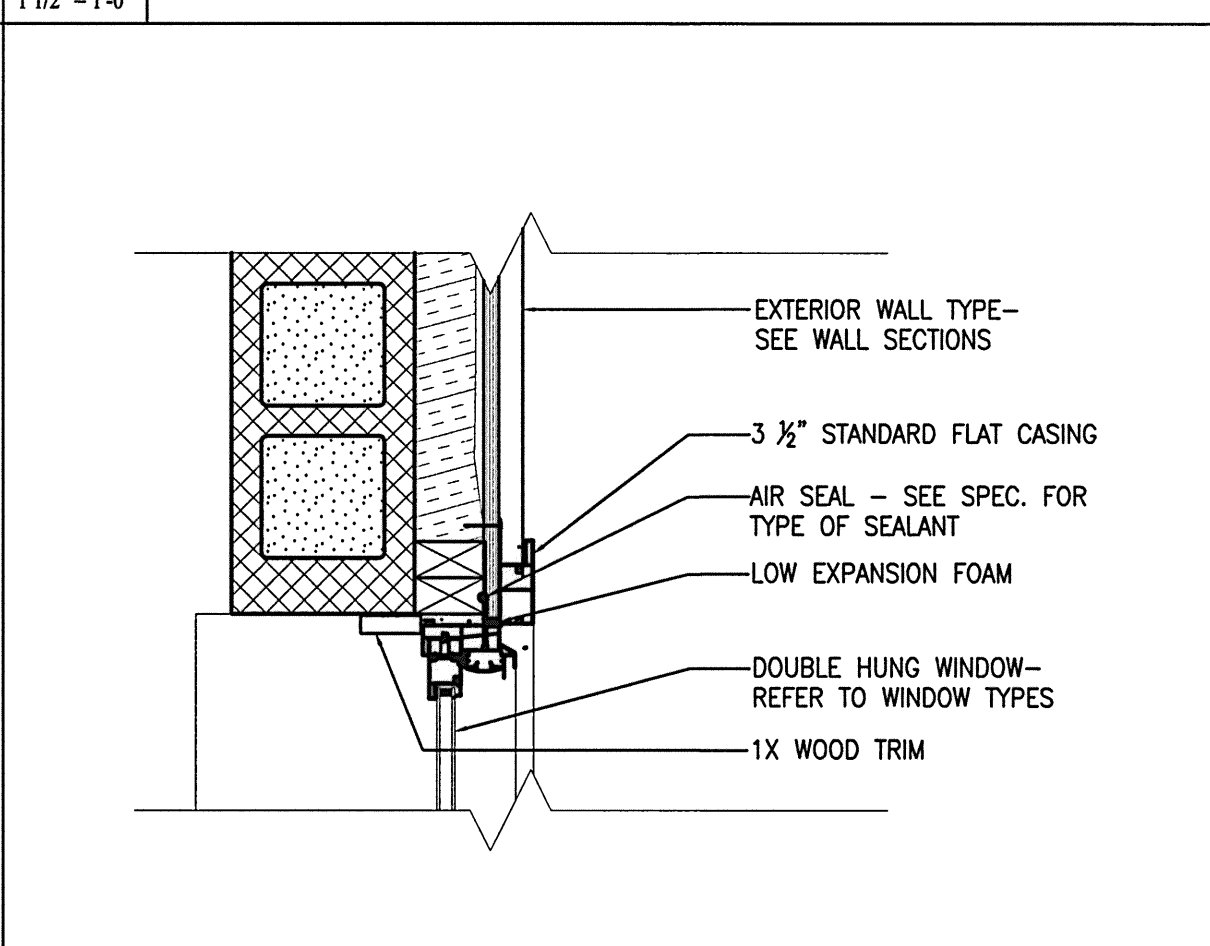
E1 INTERIOR JAMB DETAIL
1 1/2" = 1'-0"



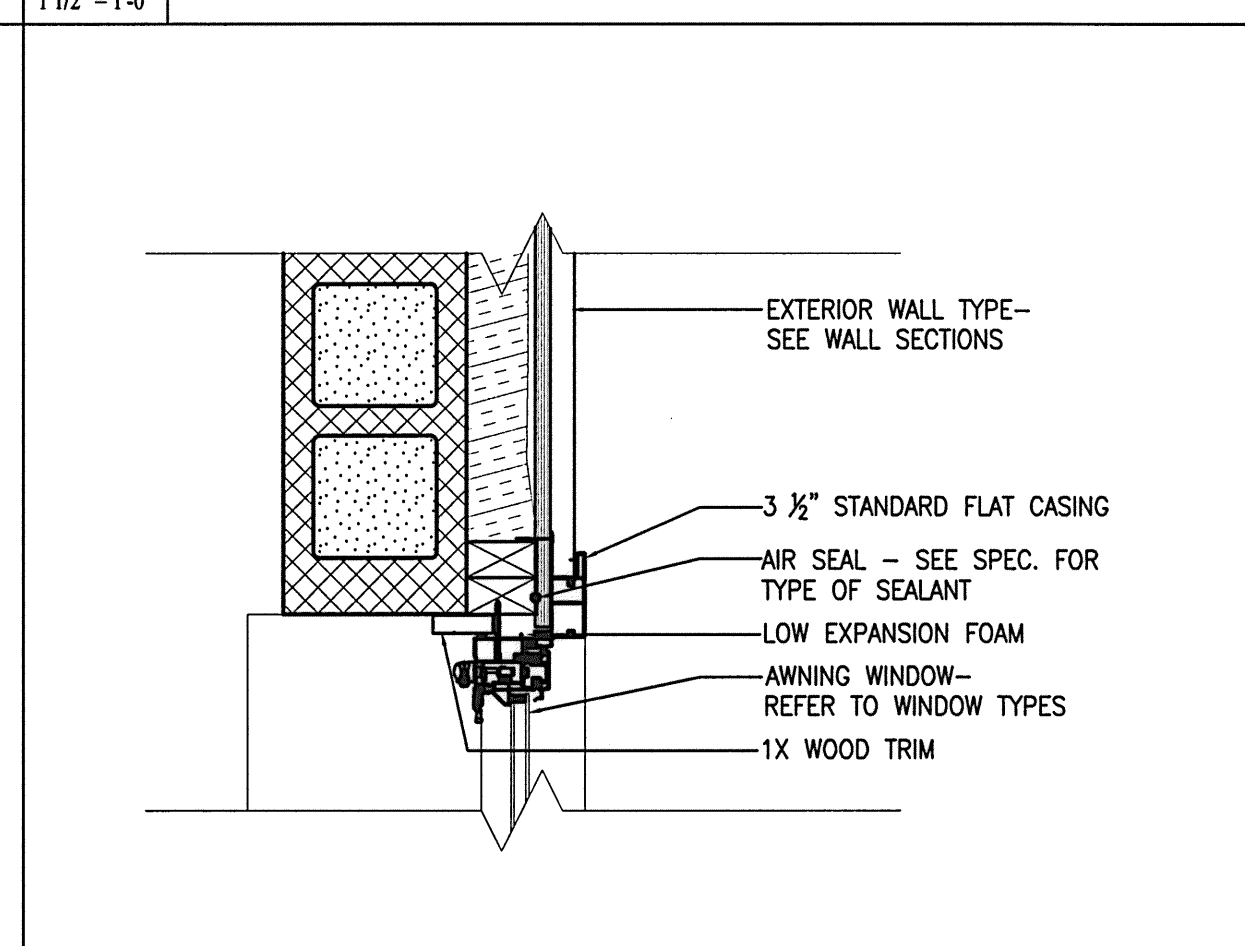
E5 STOREFRONT JAMB DETAIL @ CMU
1 1/2" = 1'-0" OPERABLE



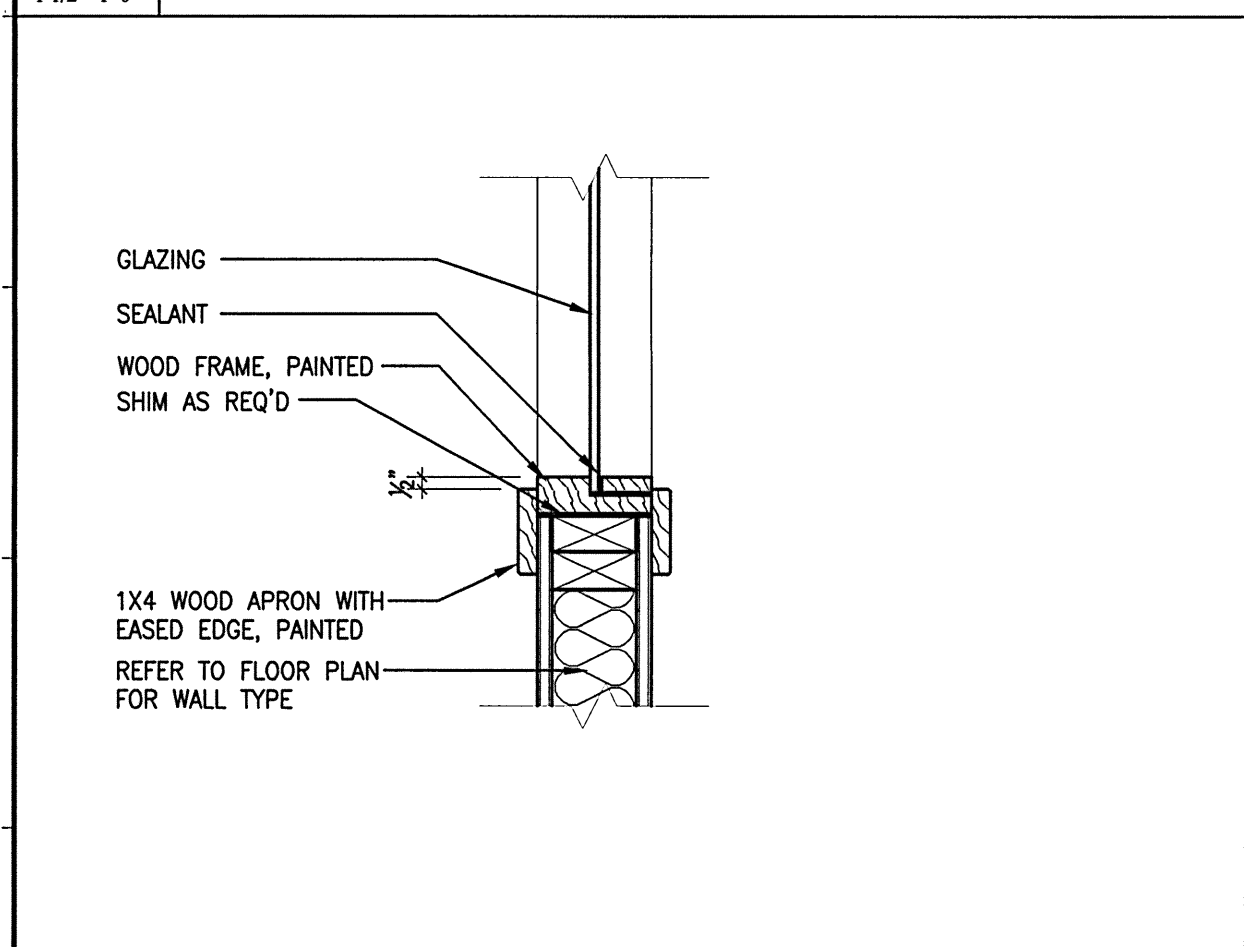
E9 STOREFRONT JAMB DETAIL @ CMU
1 1/2" = 1'-0" FIXED



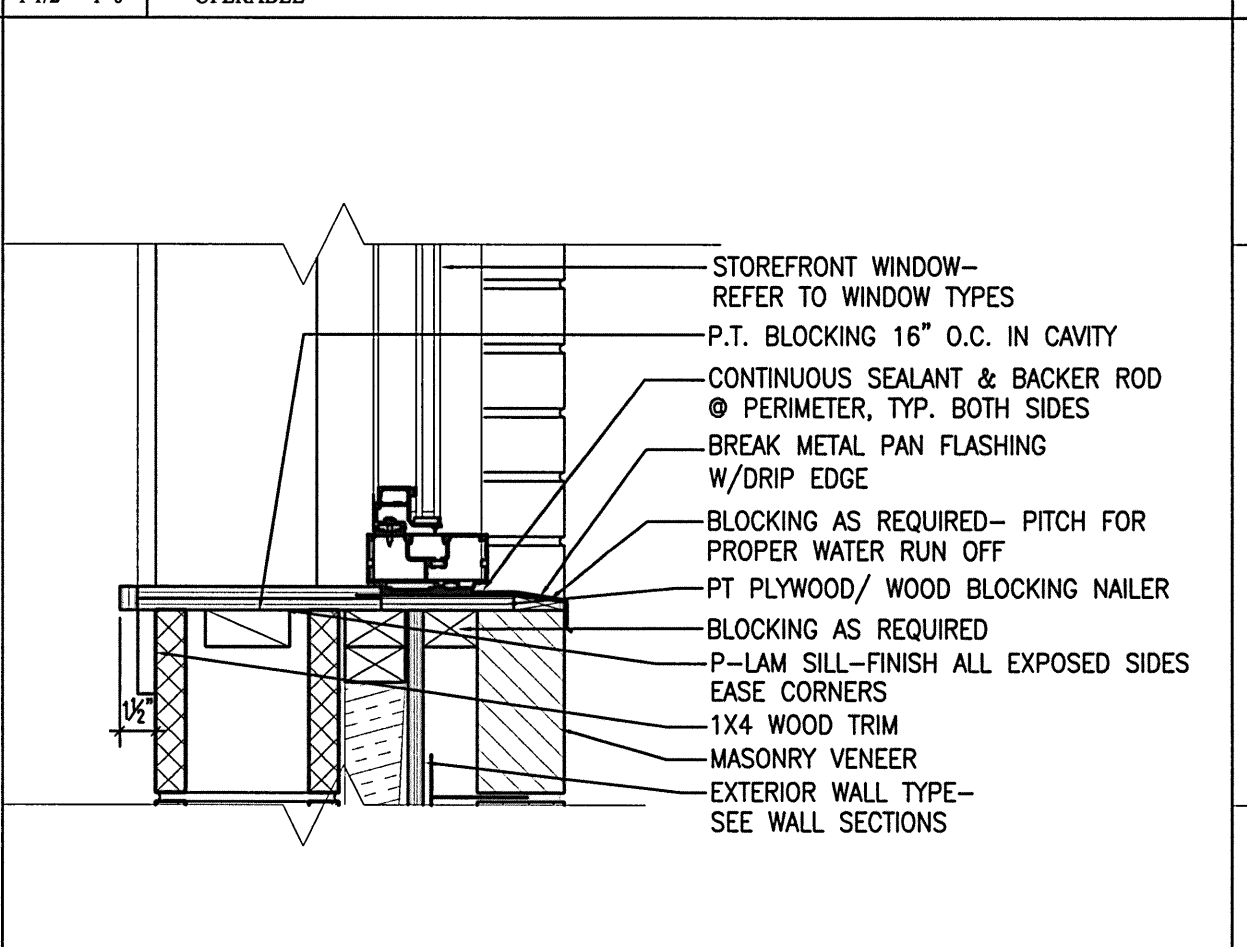
E13 DOUBLE HUNG JAMB DETAIL @ CMU
1 1/2" = 1'-0"



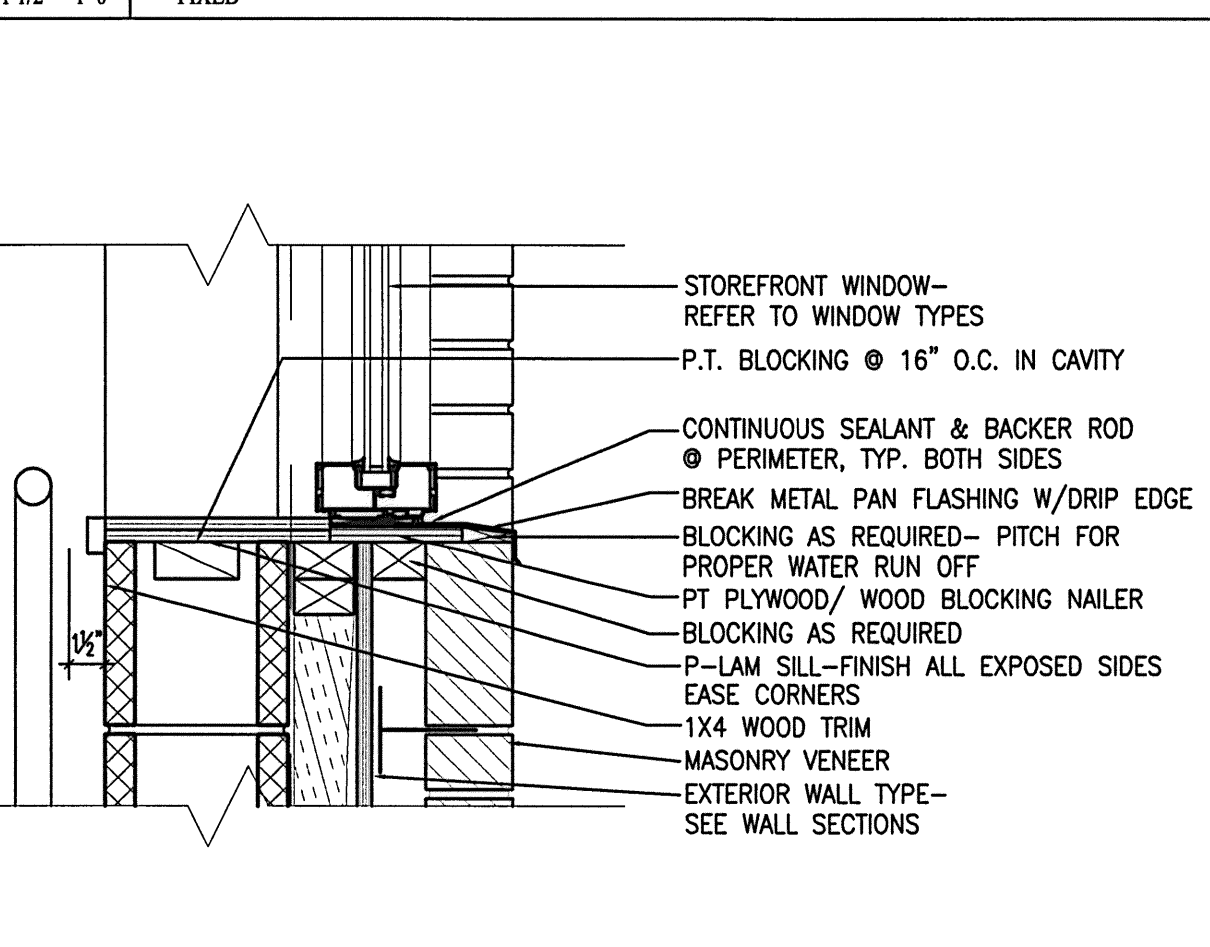
E17 AWNING JAMB DETAIL @ CMU
1 1/2" = 1'-0"



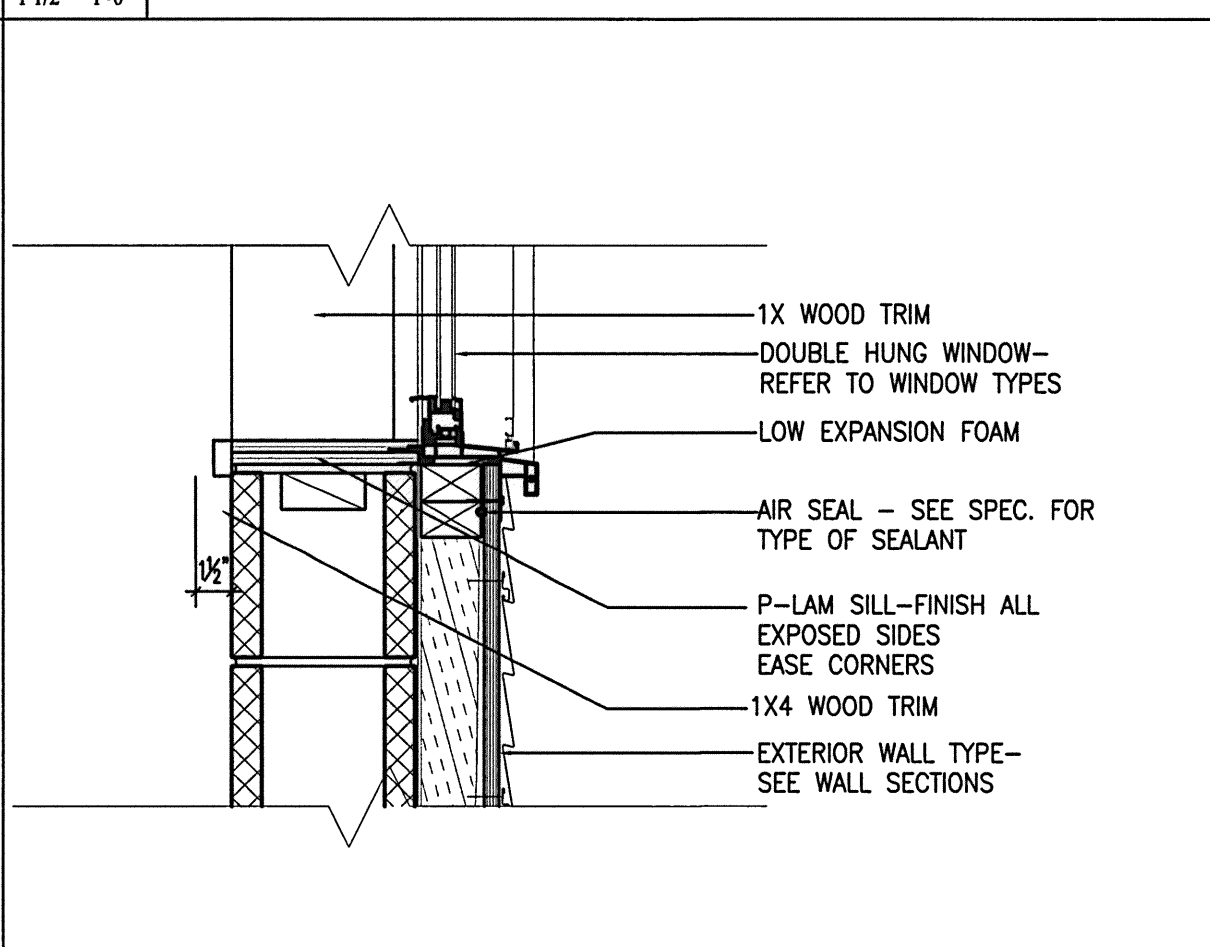
A1 INTERIOR SILL DETAIL
1 1/2" = 1'-0"



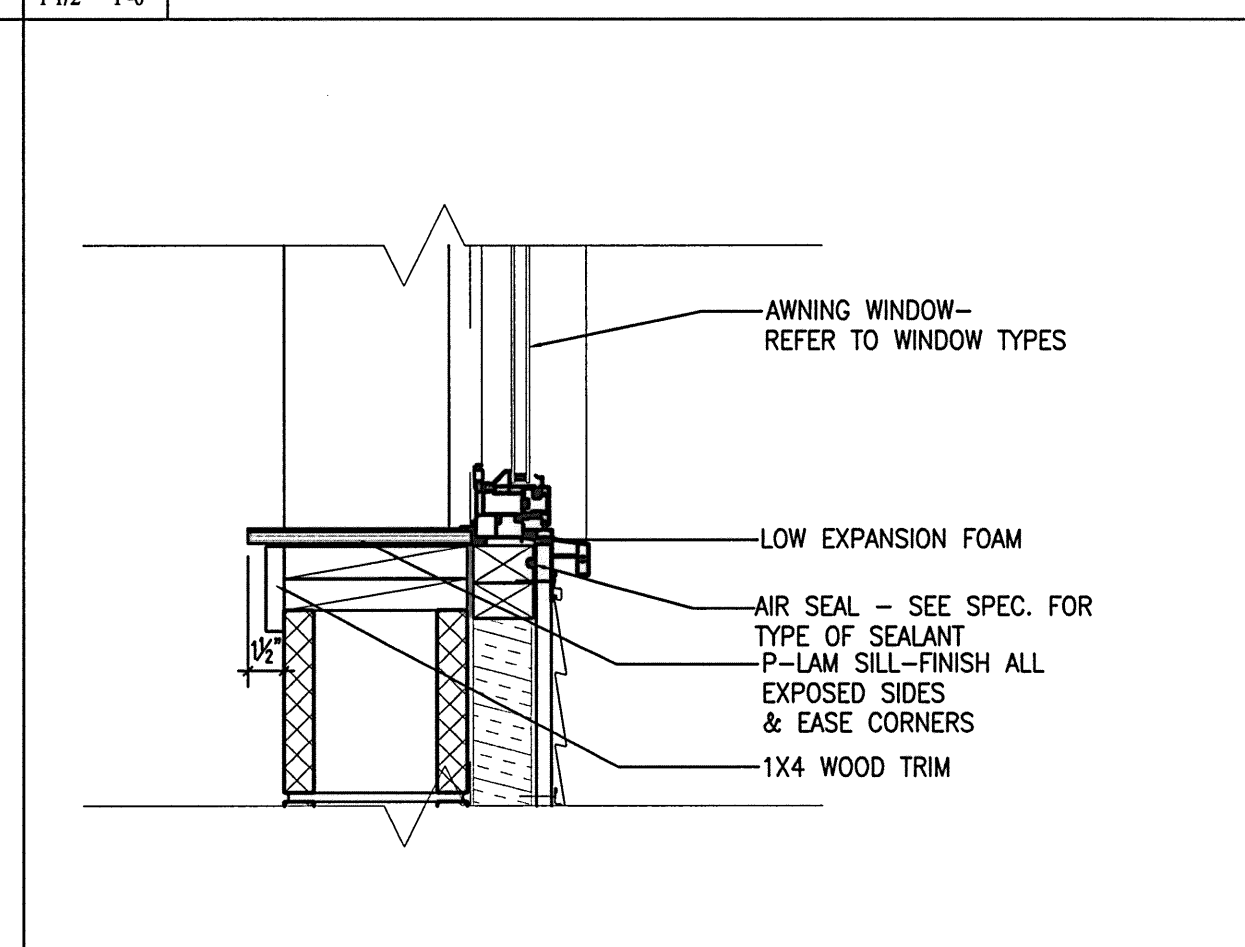
A5 STOREFRONT SILL DETAIL @ CMU
1 1/2" = 1'-0" OPERABLE



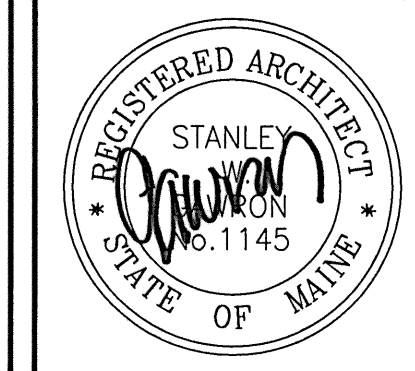
A9 STOREFRONT SILL DETAIL @ CMU
1 1/2" = 1'-0" FIXED



A13 DOUBLE HUNG SILL DETAIL @ CMU
1 1/2" = 1'-0"



A17 AWNING SILL DETAIL @ CMU
1 1/2" = 1'-0"



Gawron Turgeon ARCHITECTS
29 Black Point Road
Scarborough, Maine 04074
www.gawronturgeon.com
207-883-6307 tel 207-883-0261 fax



FLORENCE HOUSE
190 VALLEY STREET
PORTLAND, MAINE



REVISIONS		
#	DATE	DESCRIPTION
1	4.03.07	CONTRACT ZONE SUBMISSION
2	5.01.07	CONTRACT ZONE SUBMISSION
3	7.10.07	CONTRACT ZONE SUBMISSION
4	9.04.07	SITE PLAN AND SUBDIVISION REVIEW
5	10.02.07	FINAL SITE PLAN REVIEW
6	11.15.07	50% REVIEW SET
7	12.04.07	50% MAINE HOUSING REVIEW SET
8	05.02.08	90% MAINE HOUSING REVIEW SET
9	07.31.08	100% MAINE HOUSING REVIEW SET
10	09.02.08	100% BID DOCUMENTS

DATE:	09/02/08
PROJECT #:	100405
DRAWN BY:	AEP
CHECKED BY:	RLD
DRAWING SCALE:	VARIES

SHEET TITLE
WINDOW DETAILS

A802

© COPYRIGHT 1985-2008
REPRODUCTION OR RESALE OF THIS DOCUMENT WITHOUT WRITTEN PERMISSION OF GAWRON TURGEON ARCHITECTS IS PROHIBITED.