

Gawron Turgeon ARCHITECTS
 29 Black Point Road
 Scarborough, Maine 04074
 www.gawronturgeon.com
 207-883-6307 tel. 207-883-0361 fax



FLORENCE HOUSE
 190 VALLEY STREET
 PORTLAND, MAINE



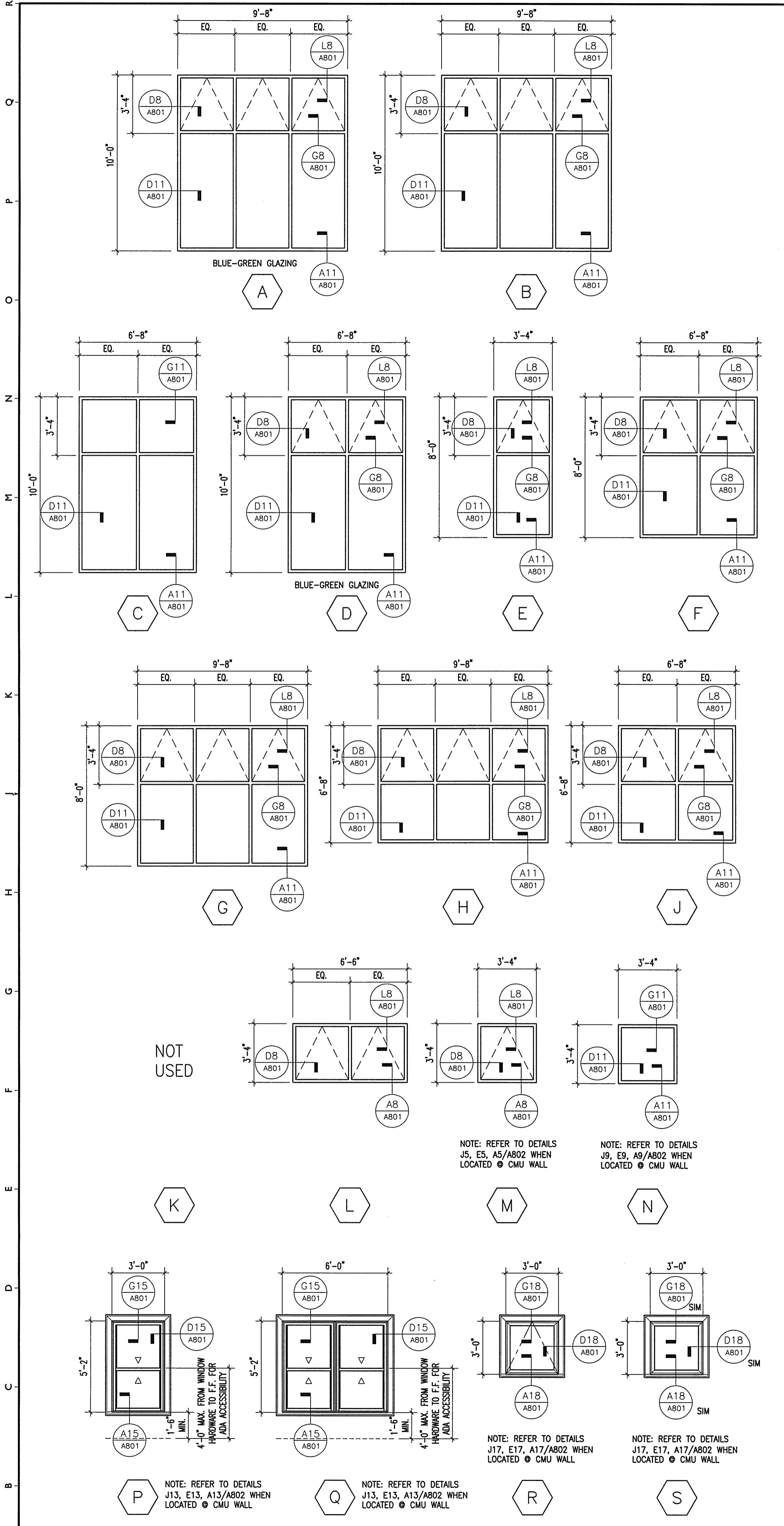
REVISIONS		
#	DATE	DESCRIPTION
1	4.03.07	CONTRACT ZONE SUBMISSION
2	5.01.07	CONTRACT ZONE SUBMISSION
3	7.10.07	CONTRACT ZONE SUBMISSION
4	9.04.07	SITE PLAN AND SUBDIVISION REVIEW
5	10.02.07	FINAL SITE PLAN REVIEW
6	11.15.07	50% REVIEW SET
7	12.04.07	50% MAINE HOUSING REVIEW SET
8	05.02.08	90% MAINE HOUSING REVIEW SET
9	07.31.08	100% MAINE HOUSING REVIEW SET
10	09.02.08	100% BID DOCUMENTS

DATE	09/02/08
PROJECT #	100-405
DRAWN BY:	AEP
CHECKED BY:	RLD
DRAWING SCALE	VARIABLES

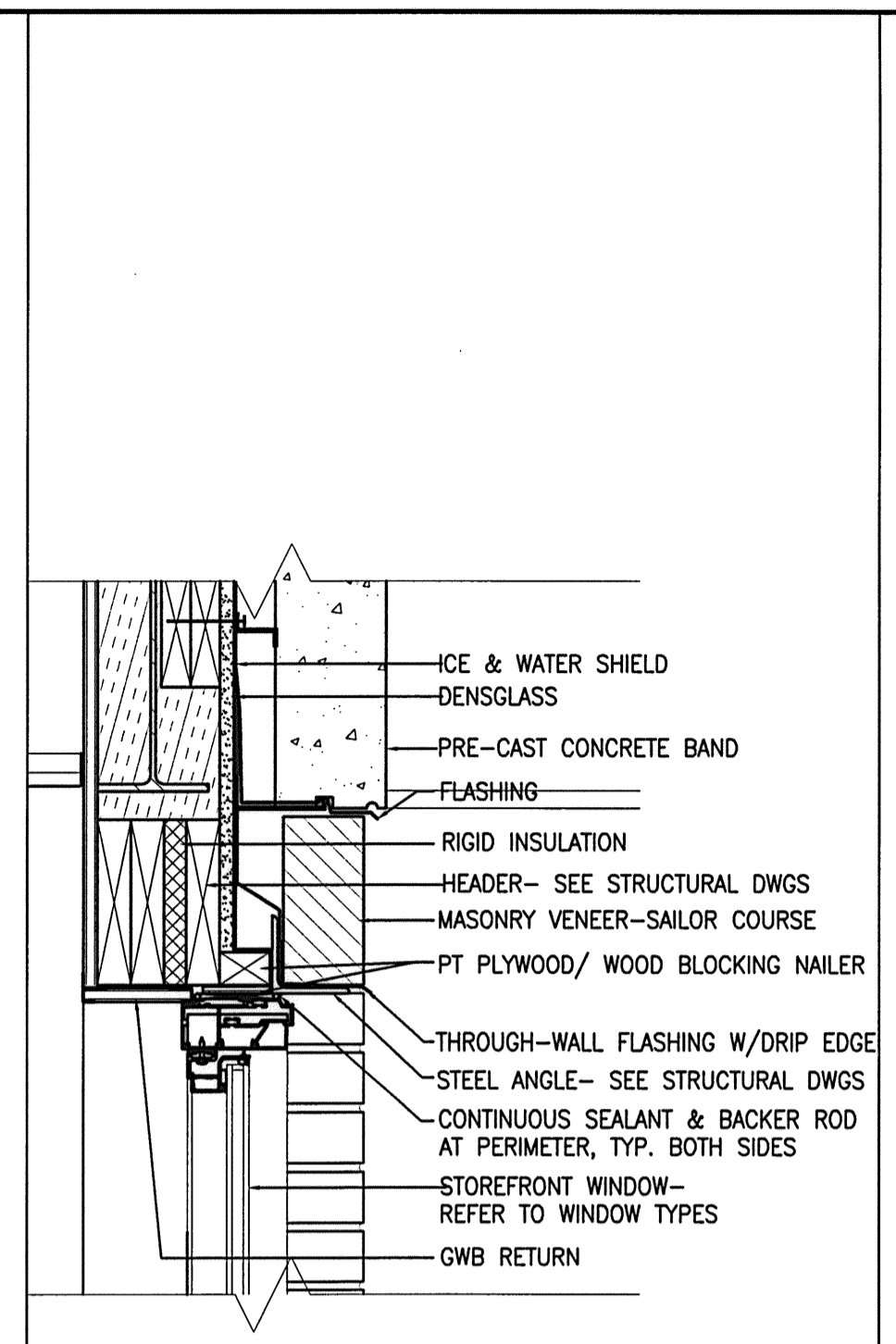
SHEET TITLE
 WINDOW TYPES & DETAILS

A801

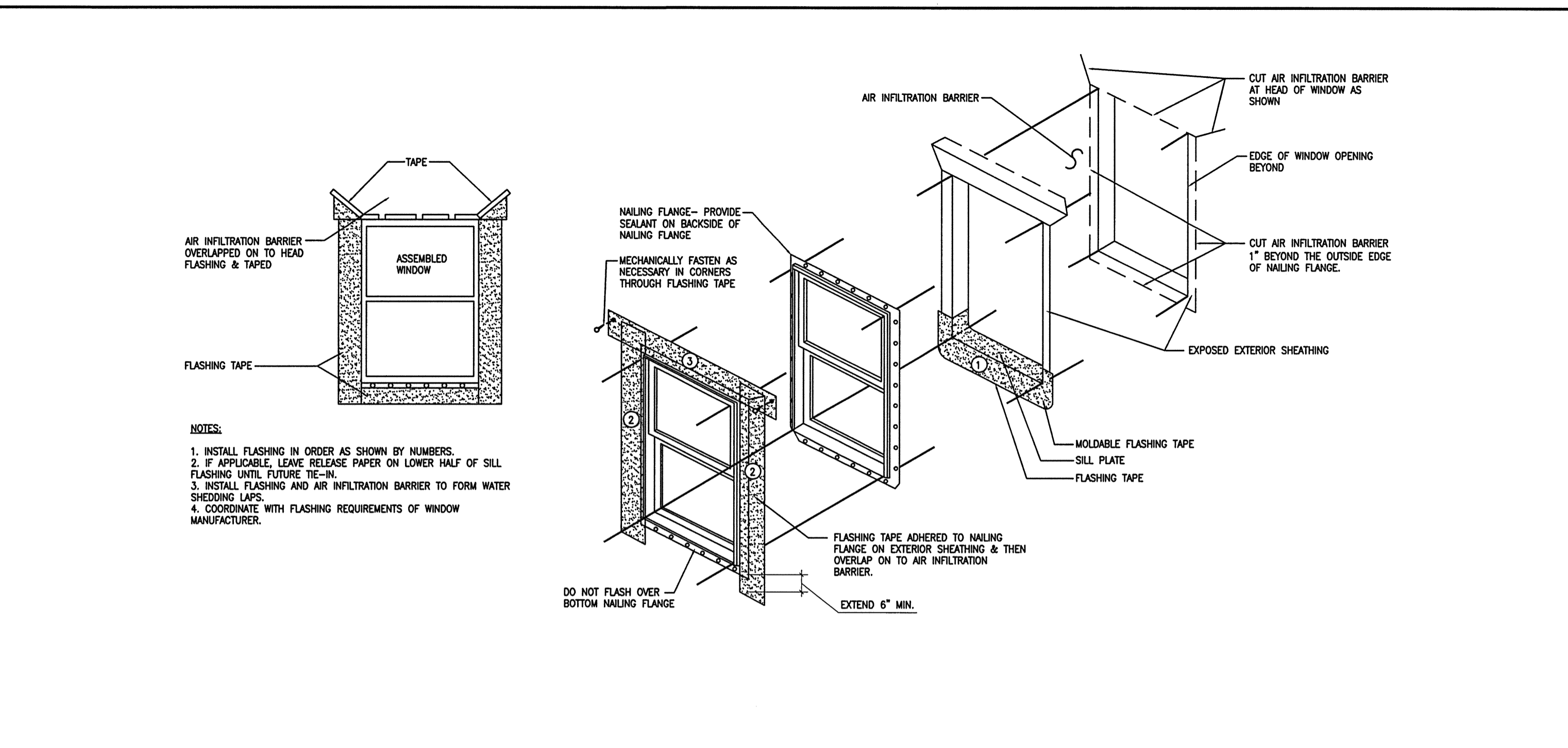
© COPYRIGHT 1985-2008
 REPRODUCTION OR USE OF THIS DOCUMENT WITHOUT WRITTEN PERMISSION OF GAWRON TURGEON ARCHITECTS IS PROHIBITED.



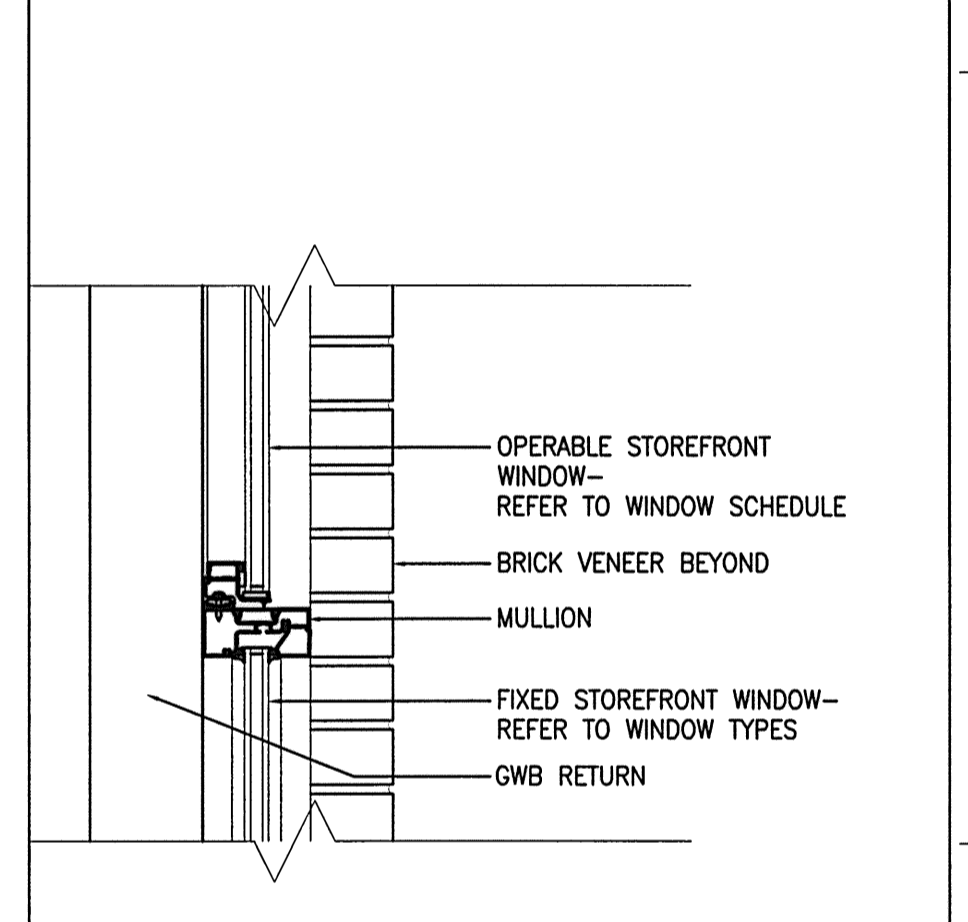
A1 WINDOW TYPES
 1/4" = 1'-0"
 SEE SPECIFICATIONS FOR MANUFACTURERS & PERFORMANCE DATA



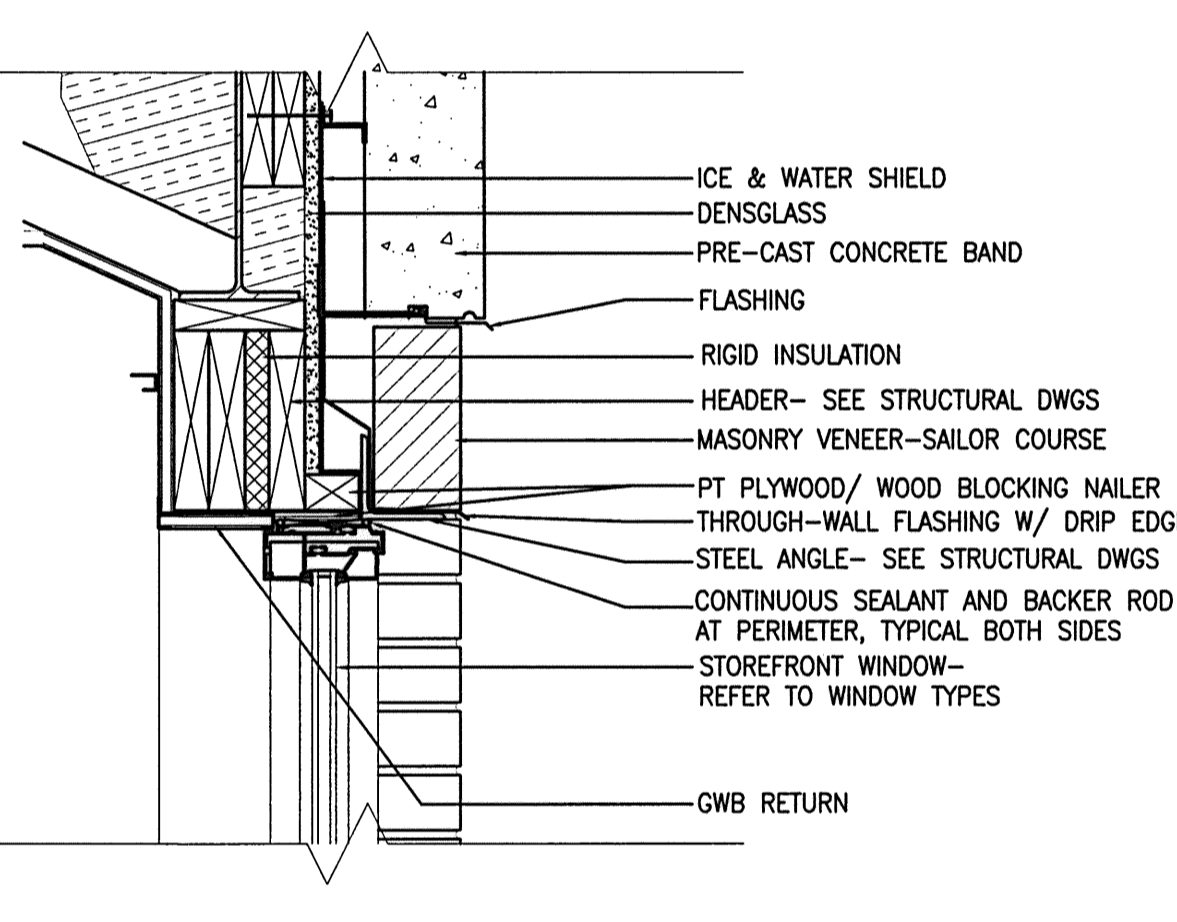
L8 STORE. HEAD DETAIL
 1 1/2" = 1'-0" OPERABLE



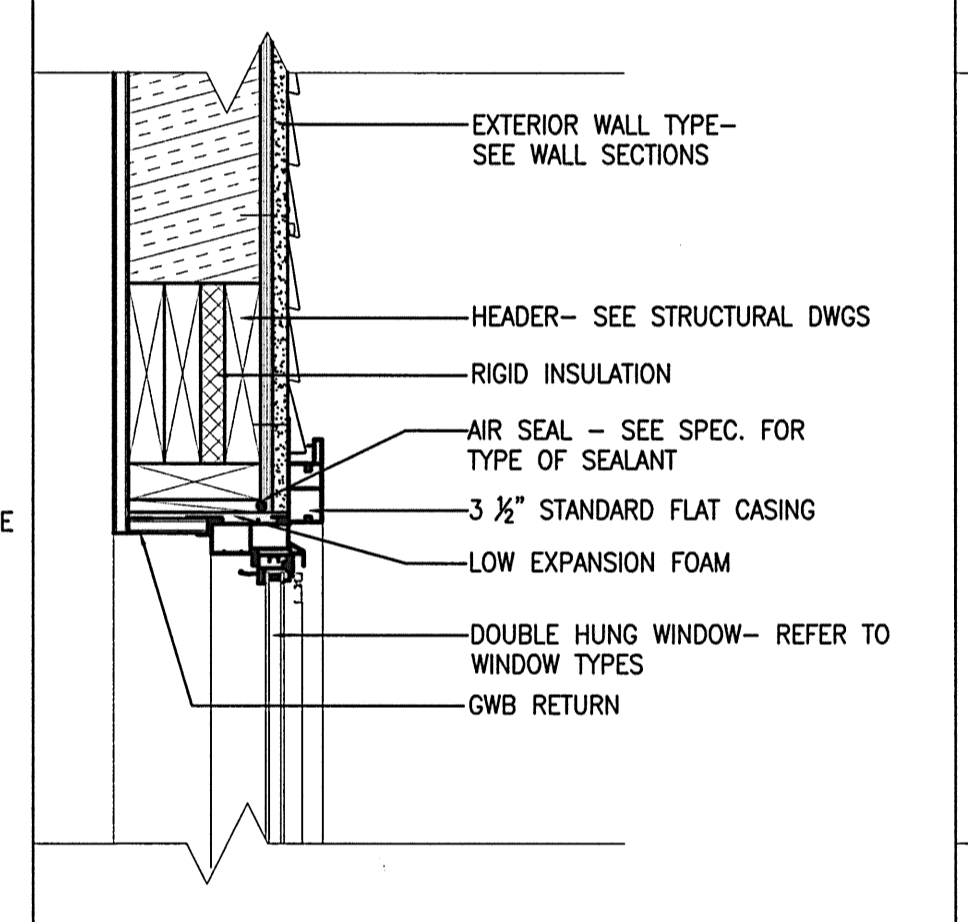
L13 WINDOW FLASHING INSTALLATION DETAIL
 N.T.S.



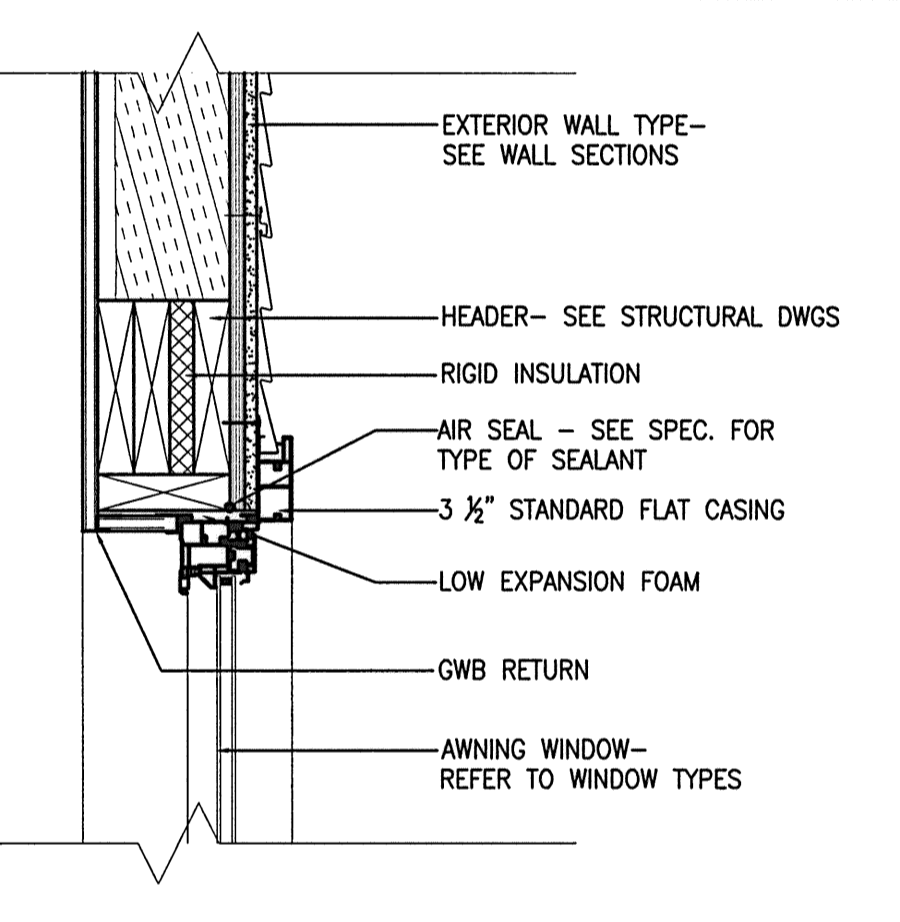
G8 STORE. MULLION DETAIL
 1 1/2" = 1'-0" OPERABLE



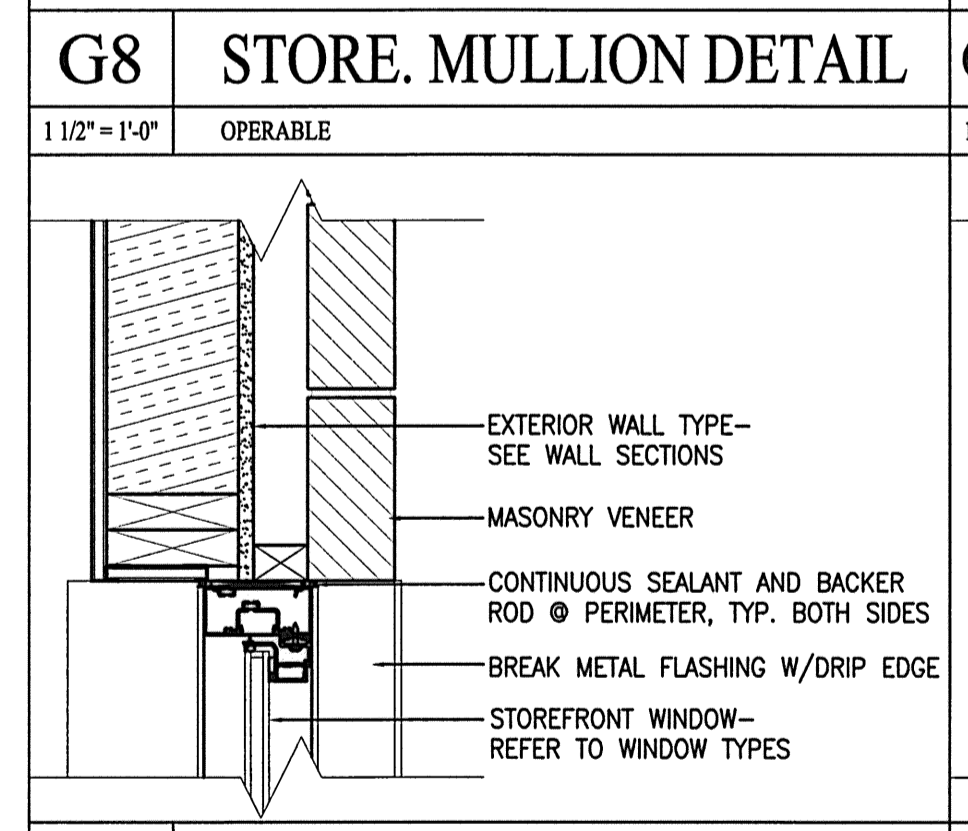
G11 STOREFRONT HEAD DETAIL
 1 1/2" = 1'-0" FIXED



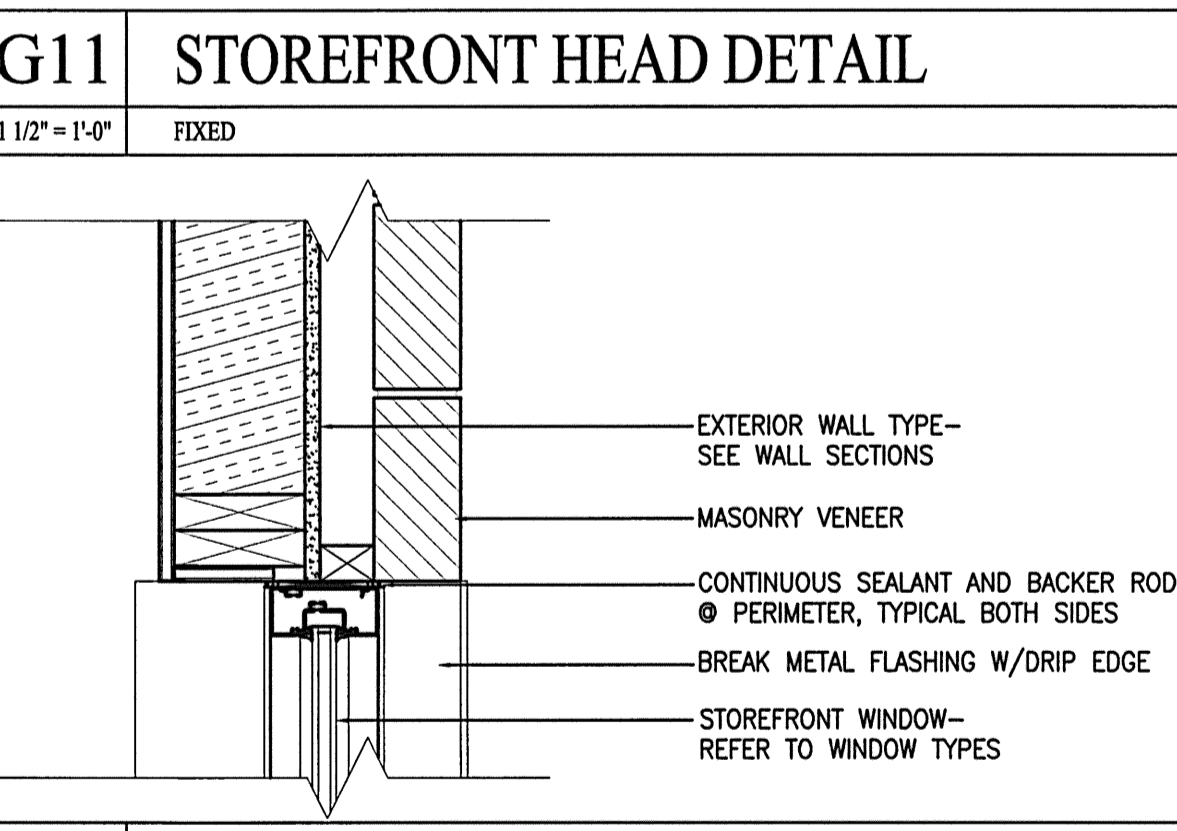
G15 DH HEAD DETAIL
 1 1/2" = 1'-0"



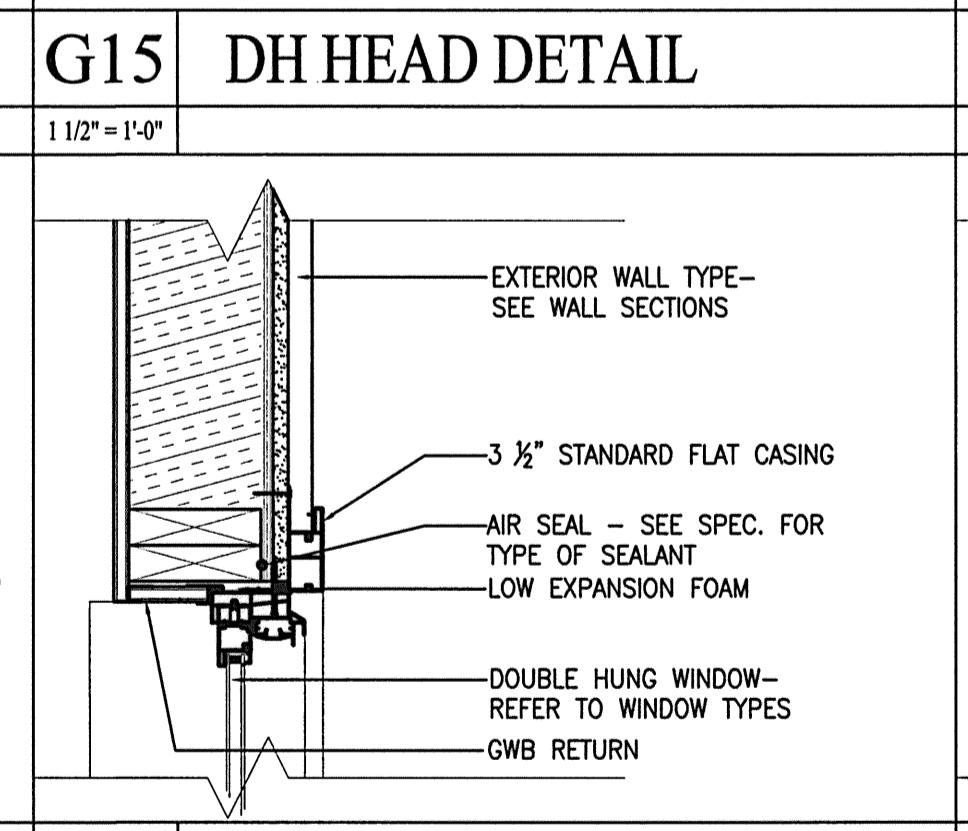
G18 AWNING HEAD DETAIL
 1 1/2" = 1'-0"



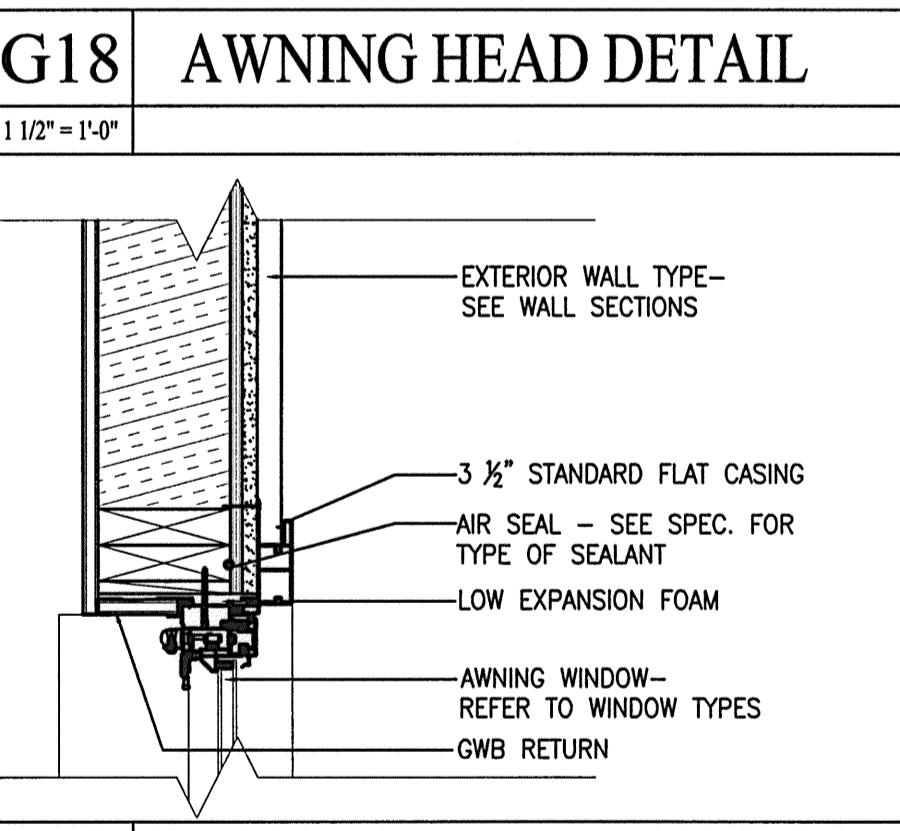
D8 STORE. JAMB DETAIL
 1 1/2" = 1'-0" OPERABLE



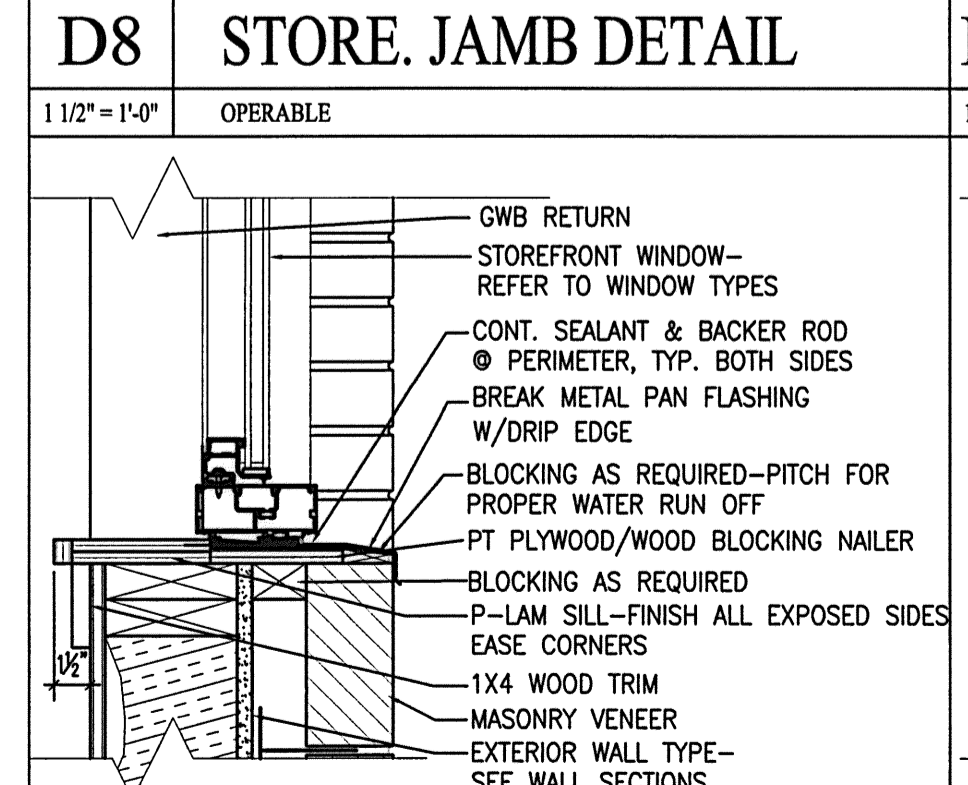
D11 STOREFRONT JAMB DETAIL
 1 1/2" = 1'-0" FIXED



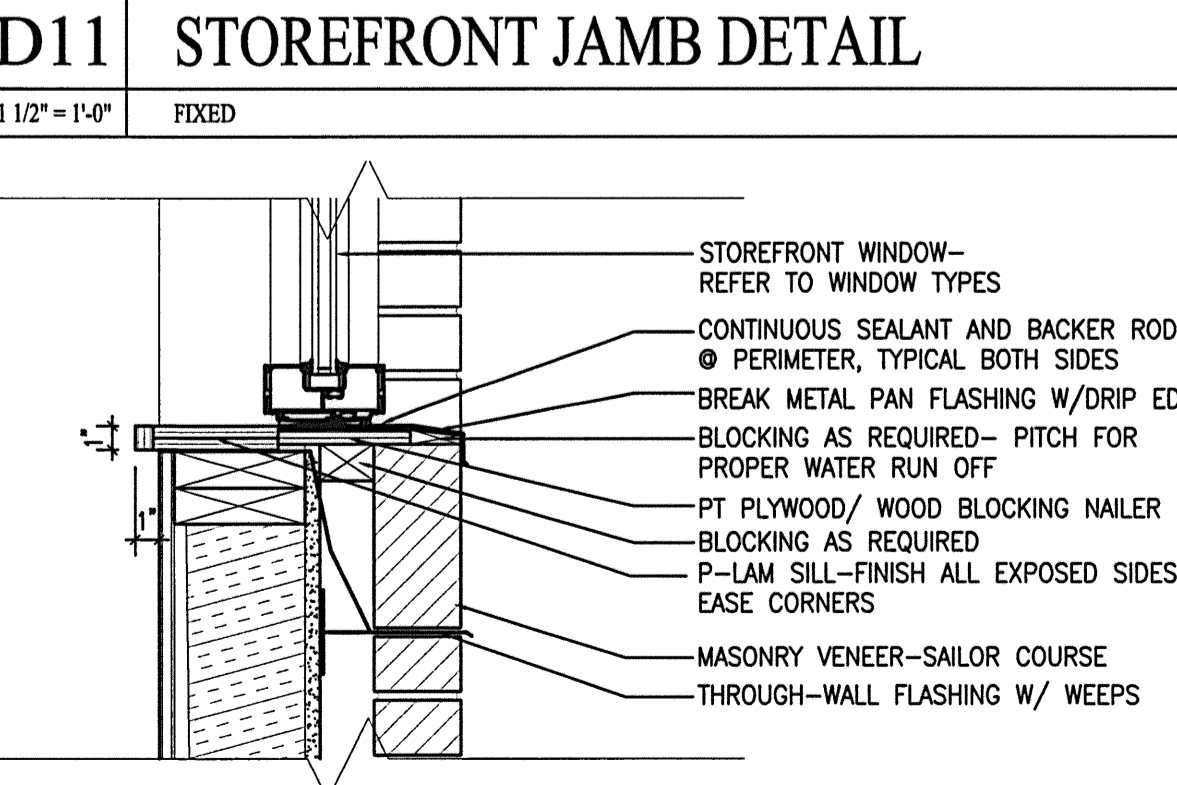
D15 DH JAMB DETAIL
 1 1/2" = 1'-0"



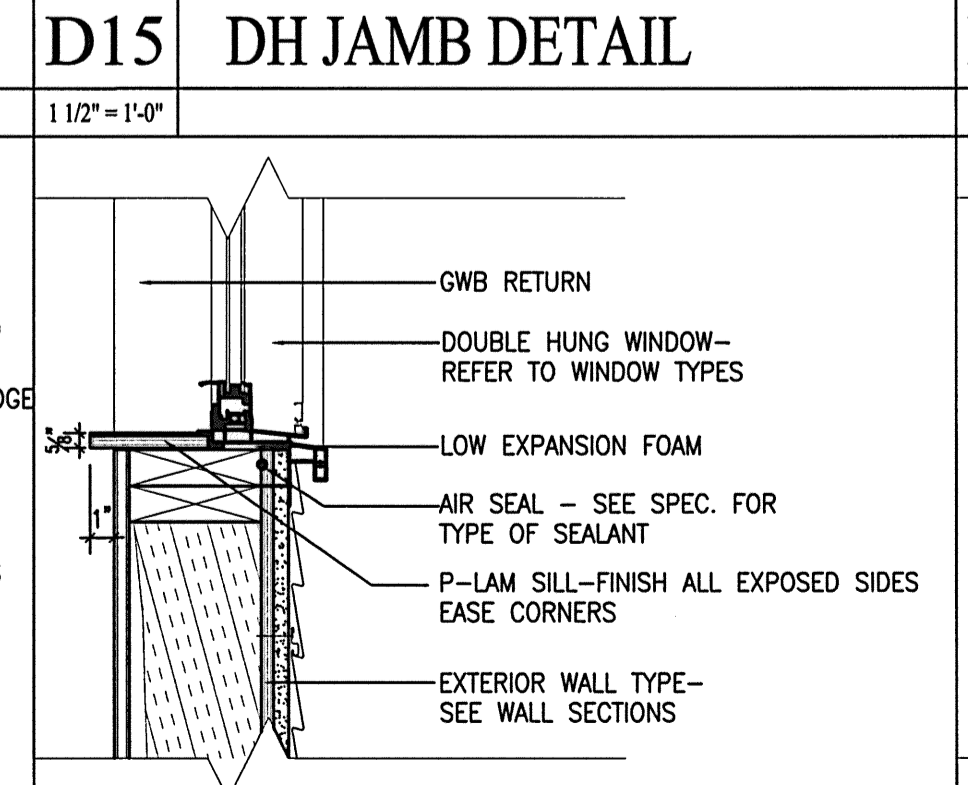
D18 AWNING JAMB DETAIL
 1 1/2" = 1'-0"



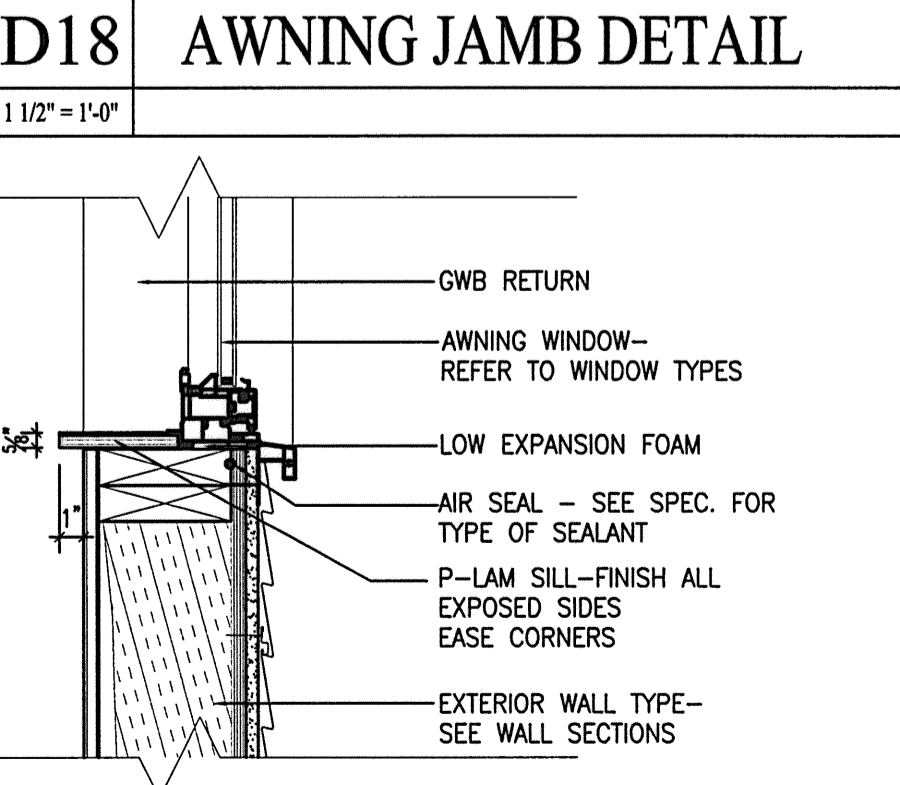
A8 STORE. SILL DETAIL
 1 1/2" = 1'-0" OPERABLE



A11 STOREFRONT SILL DETAIL
 1 1/2" = 1'-0" FIXED



A15 DH SILL DETAIL
 1 1/2" = 1'-0"



A18 AWNING SILL DETAIL
 1 1/2" = 1'-0"