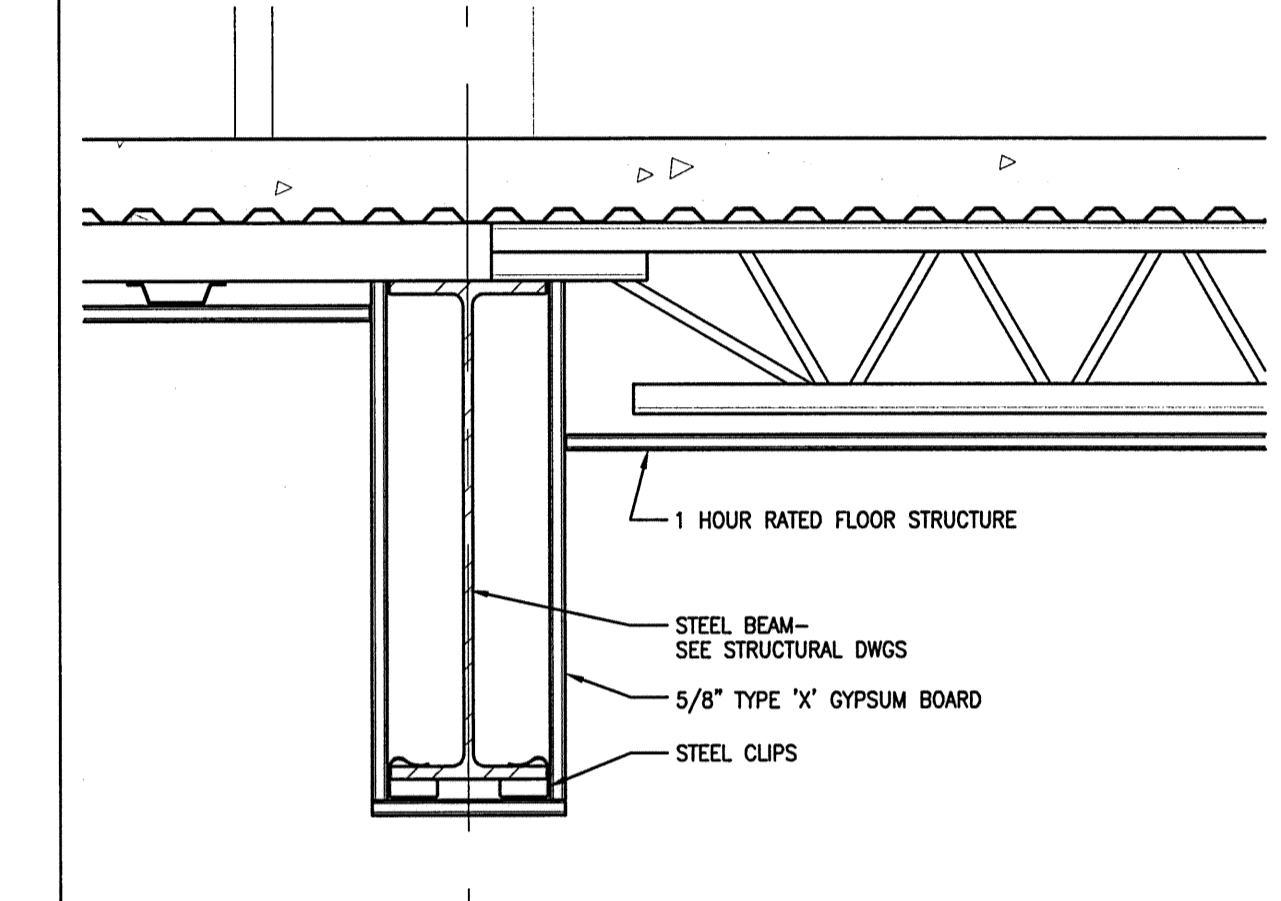
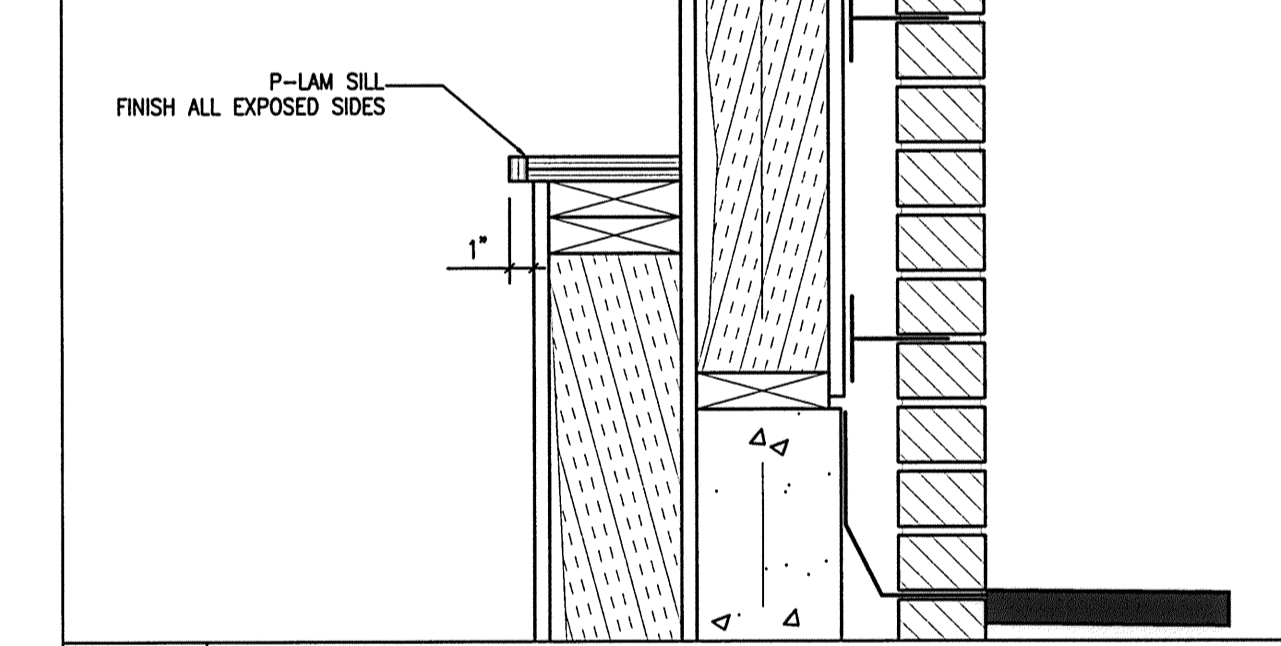


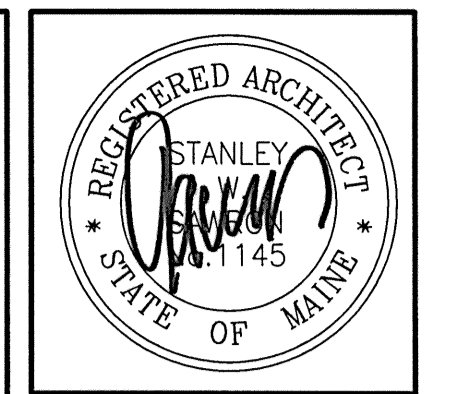
N17 BRACED FRAME- 1 HR RATED DETAIL
 1 1/2" = 1'-0" @ LOCATIONS NOT WITHIN RATED WALL ASSEMBLY



J17 STRUC BEAM- 1 HR RATED DETAIL
 1 1/2" = 1'-0" @ LOCATIONS NOT WITHIN WALL OR FLOOR ASSEMBLY; U.L. N501 SIM.



F17 SILL @ HALF WALL
 1 1/2" = 1'-0"



Gawron Turgeon ARCHITECTS
 29 Black Point Road
 Scarborough, Maine 04074
 www.gawronturgeon.com
 207-883-6307 tel. 207-883-0361 fax



FLORENCE HOUSE
 190 VALLEY STREET
 PORTLAND, MAINE



REVISIONS		
#	DATE	DESCRIPTION
1	4.03.07	CONTRACT ZONE SUBMISSION
2	5.01.07	CONTRACT ZONE SUBMISSION
3	7.10.07	CONTRACT ZONE SUBMISSION
4	9.04.07	SITE PLAN AND SUBDIVISION REVIEW
5	10.02.07	FINAL SITE PLAN REVIEW
6	11.15.07	50% REVIEW SET
7	12.04.07	50% MAINE HOUSING REVIEW SET
8	05.02.08	90% MAINE HOUSING REVIEW SET
9	07.31.08	100% MAINE HOUSING REVIEW SET
10	09.02.08	100% BID DOCUMENTS

DATE:	09/02/08
PROJECT #:	100405
DRAWN BY:	AEP
CHECKED BY:	RLD
DRAWING SCALE:	1/4" = 1'-0"

SHEET TITLE
 BUILDING SECTIONS

A501

© COPYRIGHT 1985-2008
 REPRODUCTION OR USE OF THIS DOCUMENT WITHOUT WRITTEN PERMISSION OF GAWRON TURGEON ARCHITECTS IS PROHIBITED

A1 BUILDING SECTION
 1/4" = 1'-0"

