



Gawron Turgeon ARCHITECTS
 29 Black Point Road
 Scarborough, Maine 04074
 www.gawronturgeon.com
 207-883-6307 ext. 207-883-0361 fax



FLORENCE HOUSE
 190 VALLEY STREET
 PORTLAND, MAINE



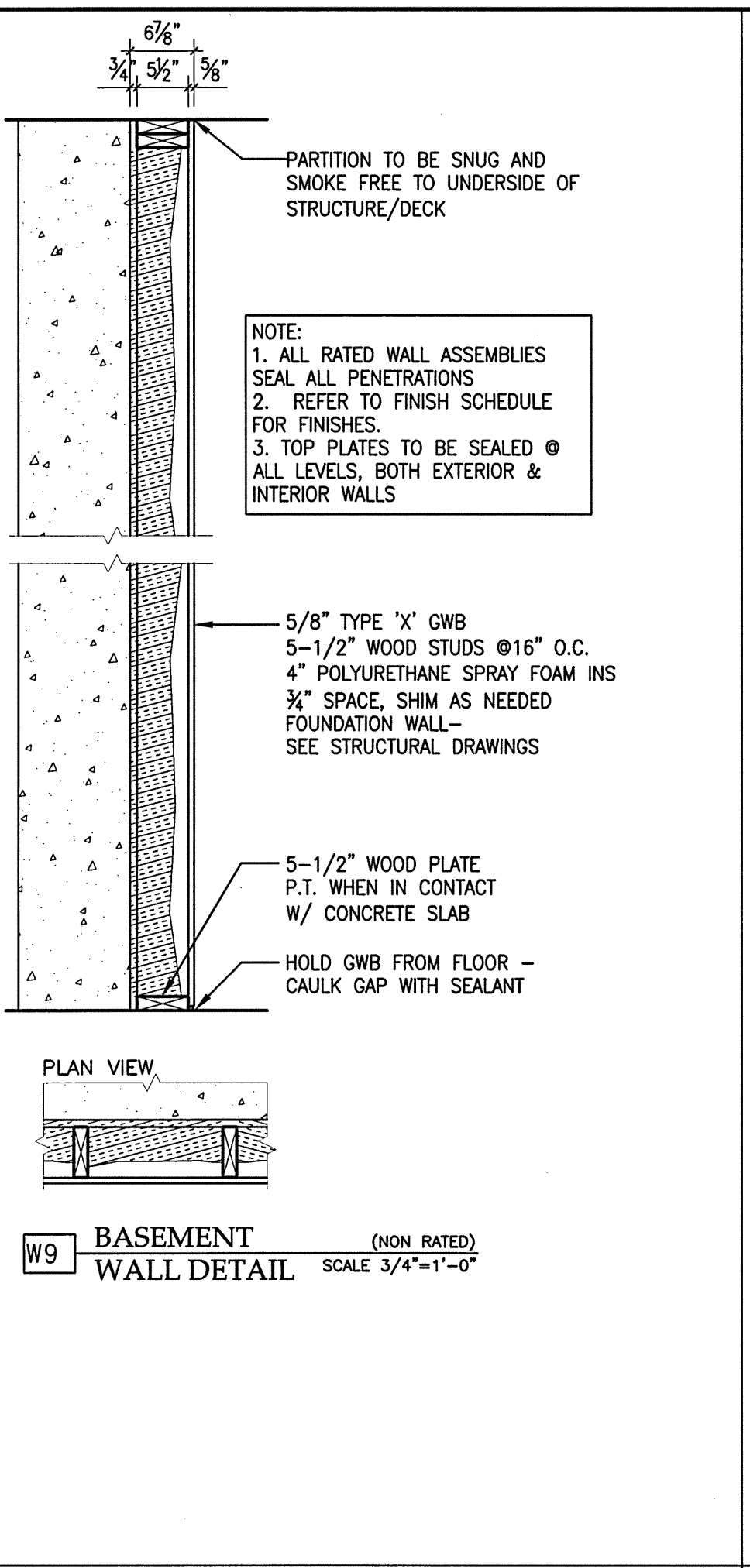
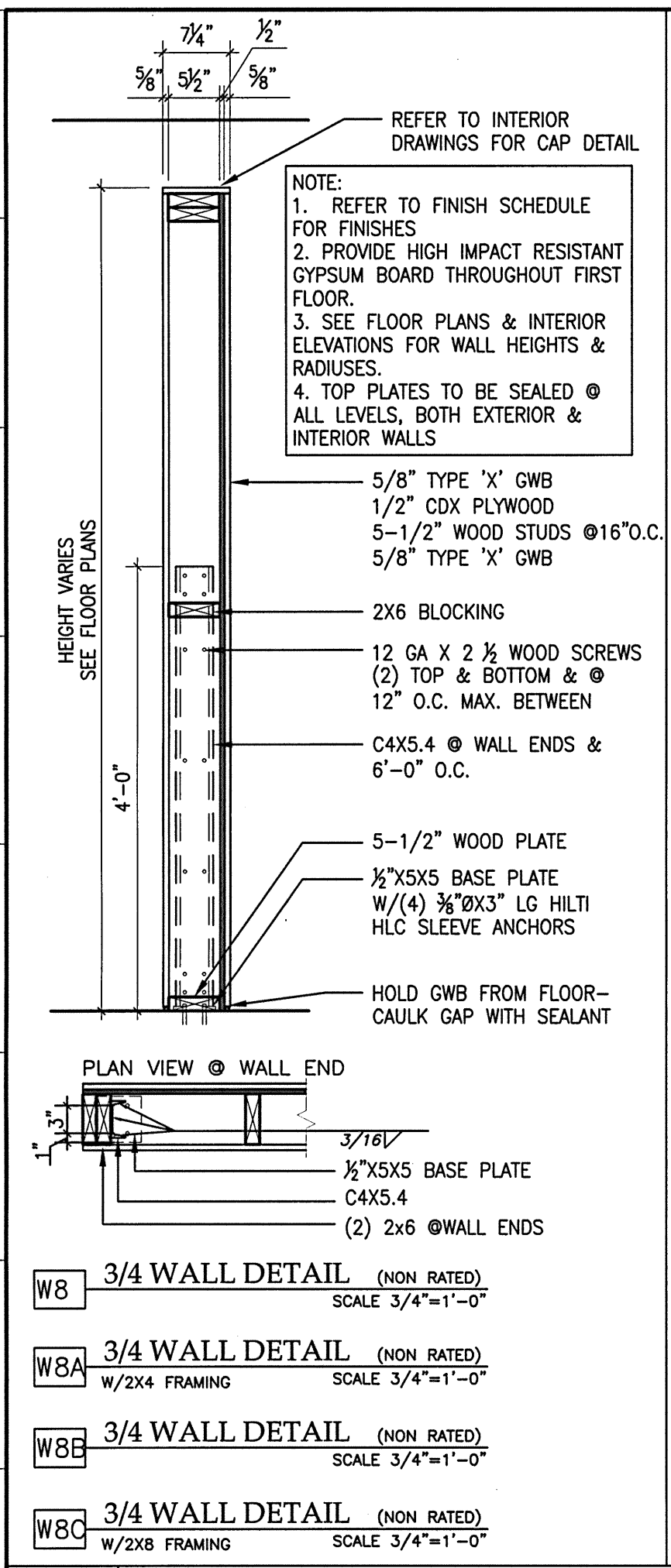
| REVISIONS | | |
|-----------|----------|----------------------------------|
| # | DATE | DESCRIPTION |
| 1 | 4.03.07 | CONTRACT ZONE SUBMISSION |
| 2 | 5.01.07 | CONTRACT ZONE SUBMISSION |
| 3 | 7.10.07 | CONTRACT ZONE SUBMISSION |
| 4 | 9.04.07 | SITE PLAN AND SUBDIVISION REVIEW |
| 5 | 10.02.07 | FINAL SITE PLAN REVIEW |
| 6 | 11.15.07 | 50% REVIEW SET |
| 7 | 12.04.07 | 50% MAINE HOUSING REVIEW SET |
| 8 | 05.02.08 | 90% MAINE HOUSING REVIEW SET |
| 9 | 07.31.08 | 100% MAINE HOUSING REVIEW SET |
| 10 | 09.02.08 | 100% BID DOCUMENTS |

| | |
|----------------|--------------|
| DATE: | 09/02/08 |
| PROJECT #: | 100405 |
| DRAWN BY: | AEP |
| CHECKED BY: | RLD |
| DRAWING SCALE: | 3/4" = 1'-0" |

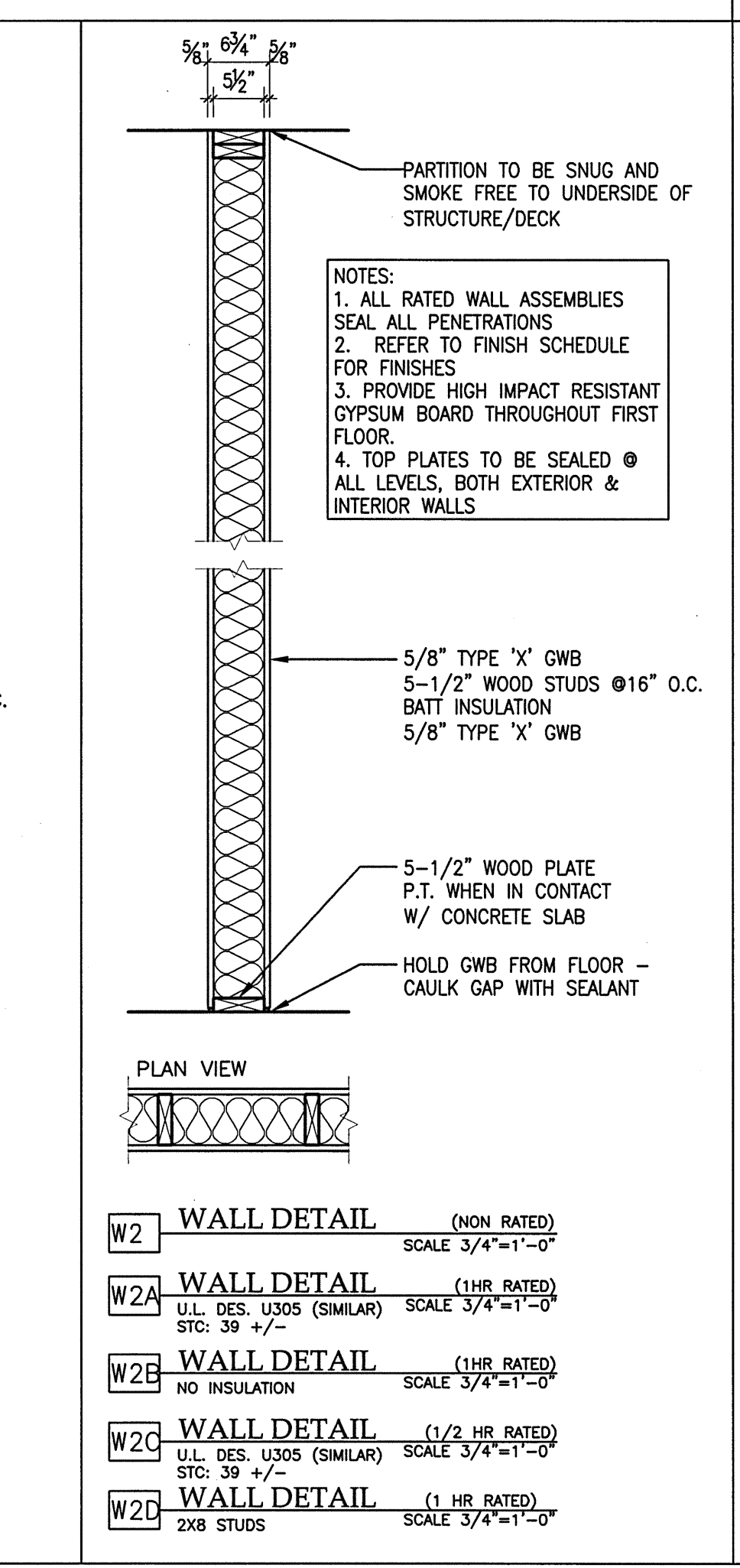
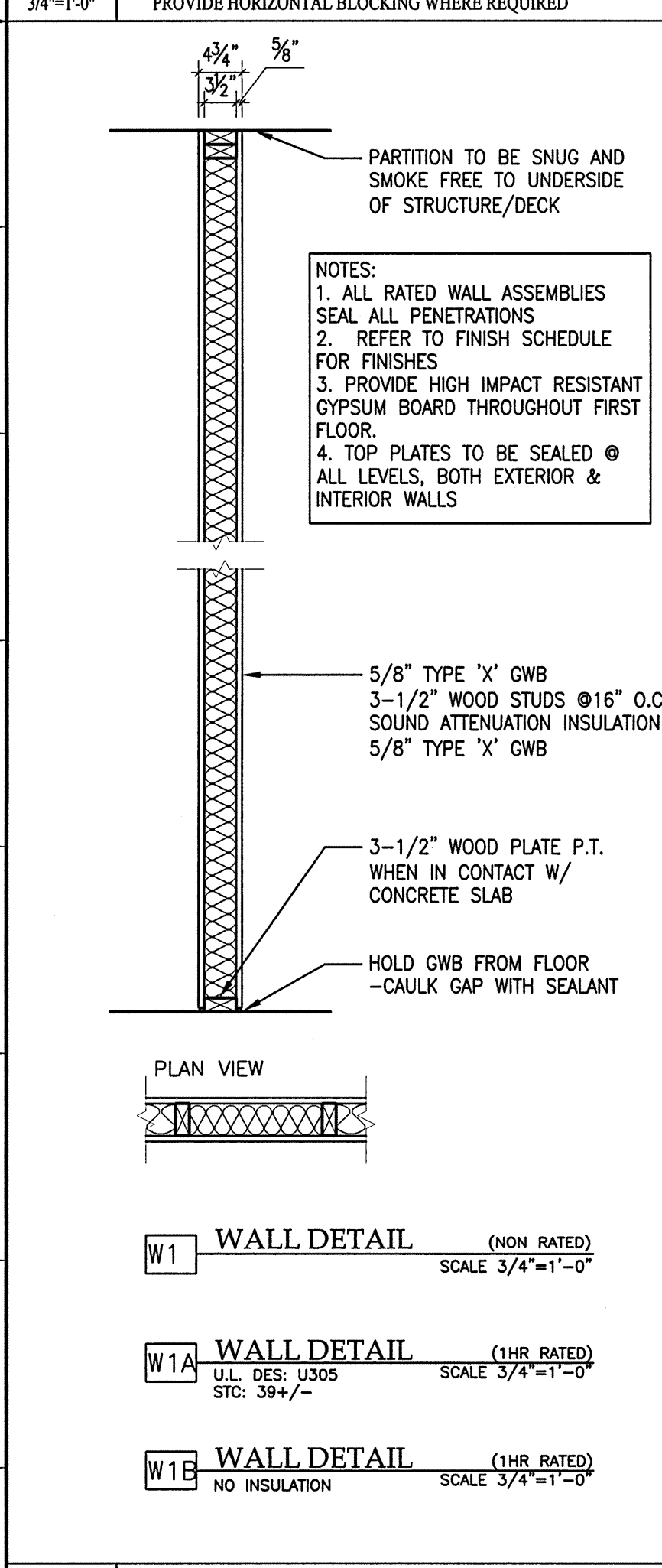
SHEET TITLE
 PARTITION TYPES & CEILING/FLOOR ASSEMBLIES

A 001

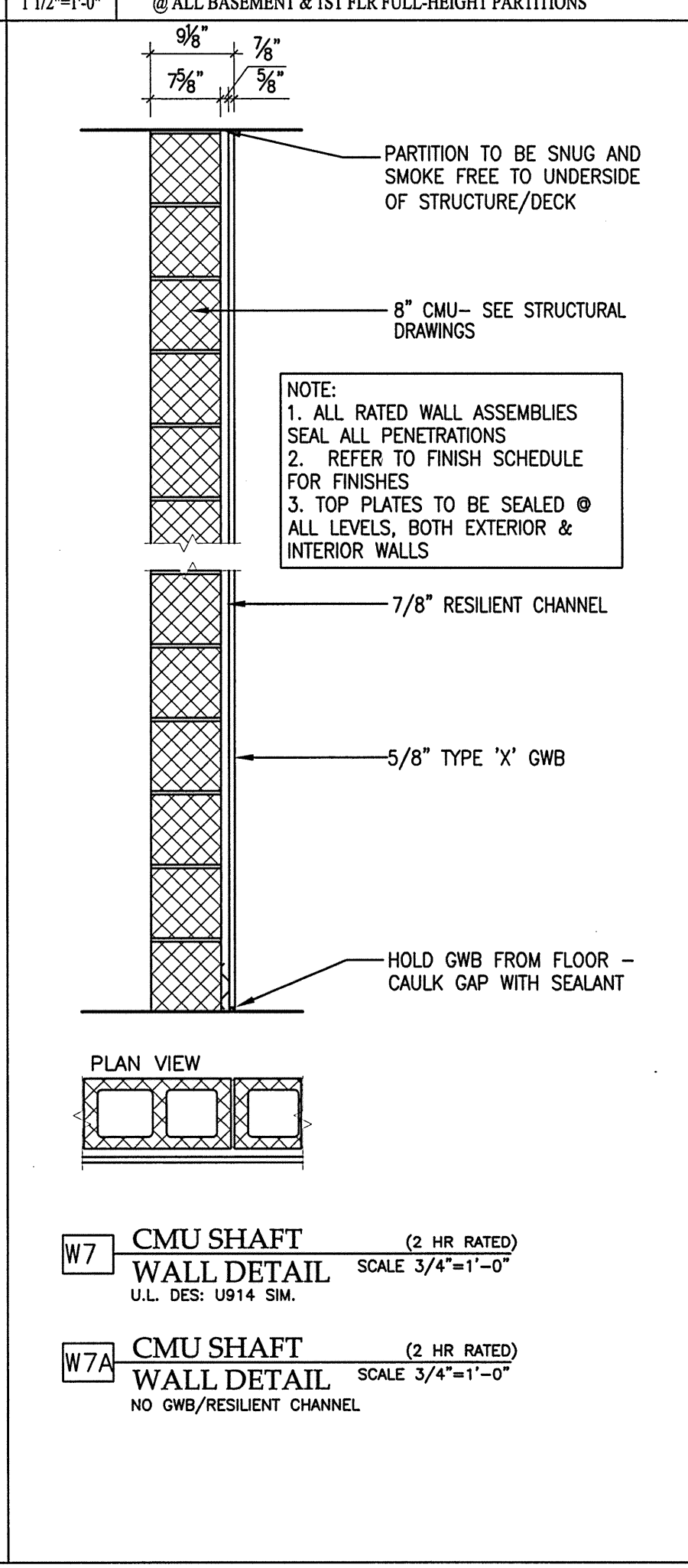
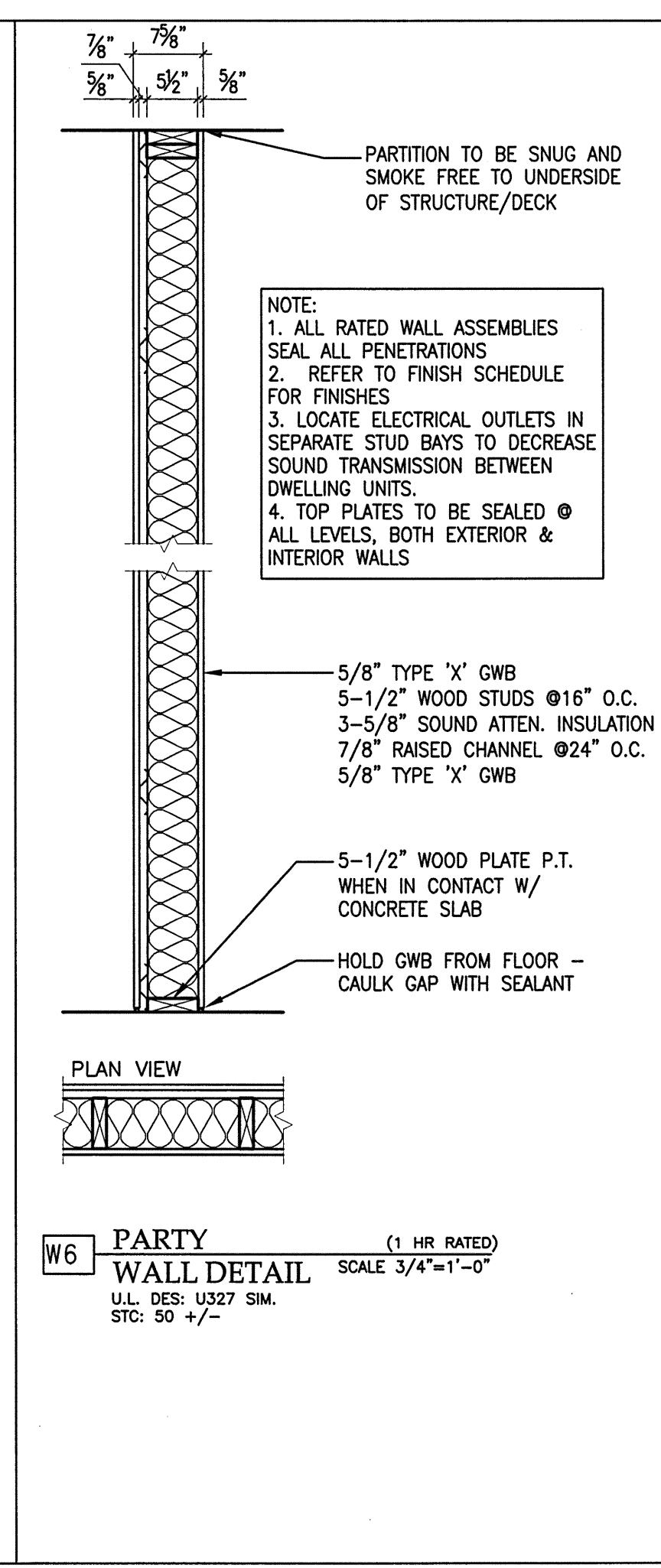
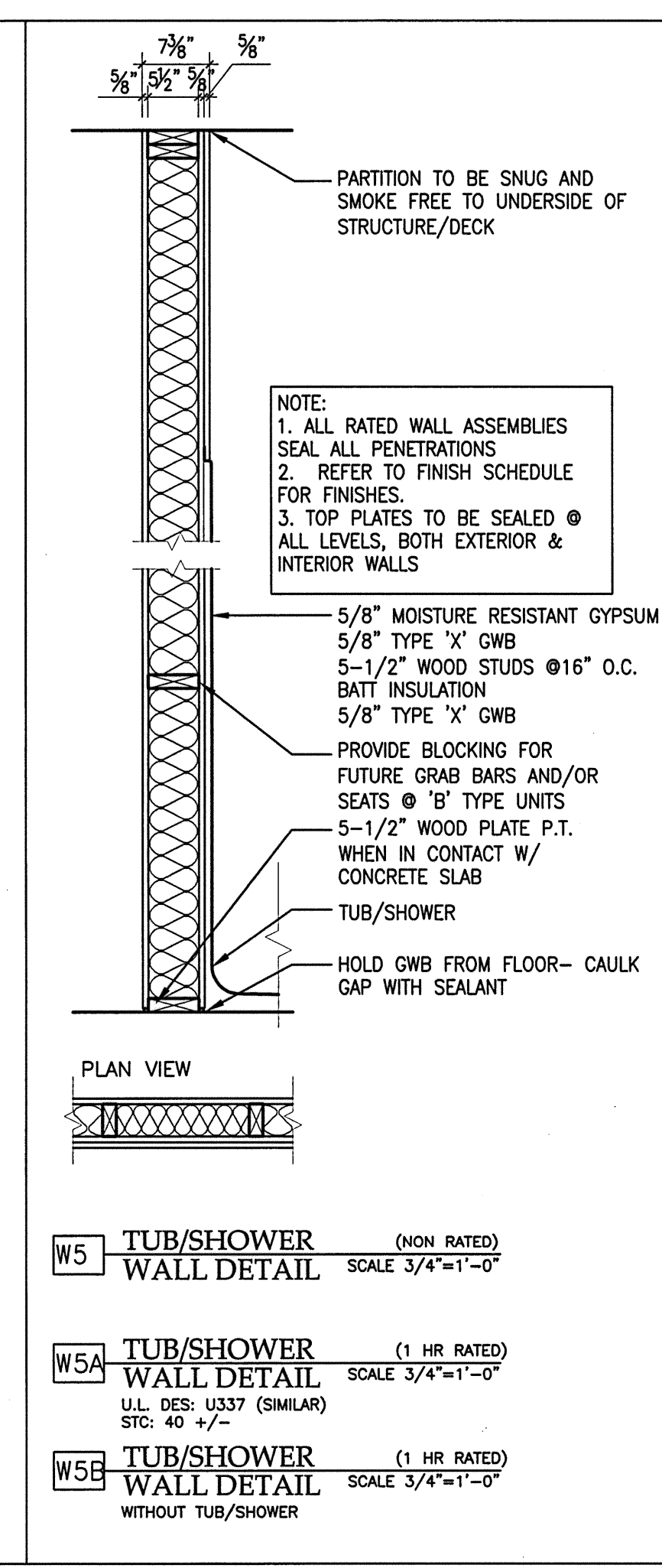
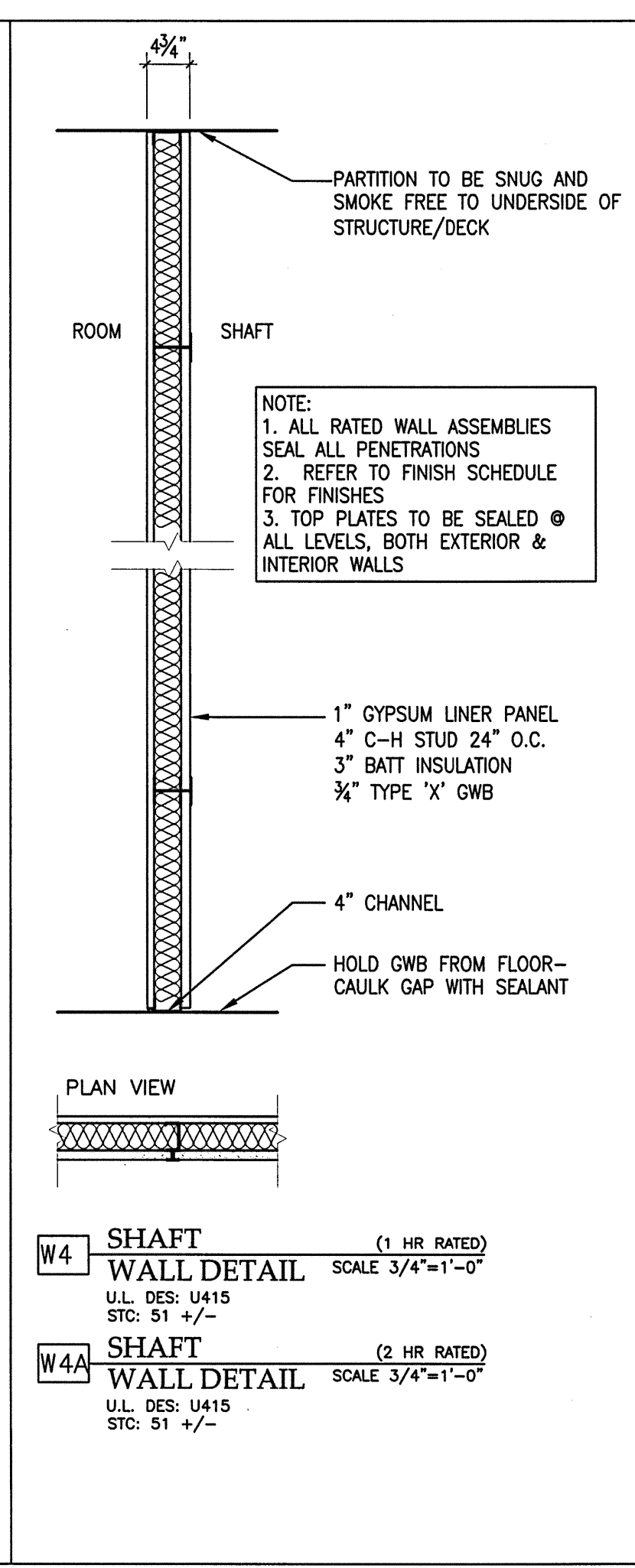
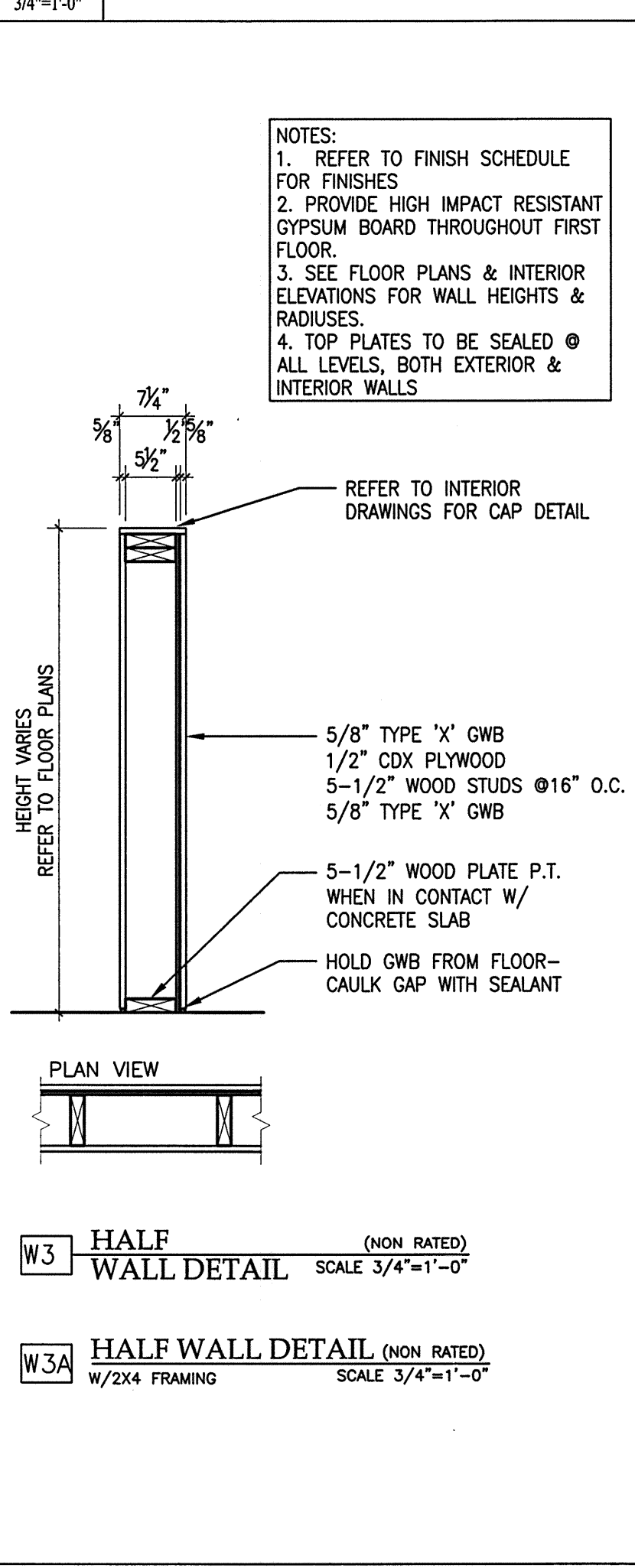
© COPYRIGHT 1985-2008
 REPRODUCTION OR USE OF THIS DOCUMENT WITHOUT WRITTEN PERMISSION OF GAWRON TURGEON ARCHITECTS IS PROHIBITED



J1 PARTITION TYPES
 3/4"=1'-0" PROVIDE HORIZONTAL BLOCKING WHERE REQUIRED



J7 FLOOR/CEILING ASSEMBLIES
 3/4"=1'-0"



A1 PARTITION TYPES
 3/4"=1'-0" PROVIDE HORIZONTAL BLOCKING WHERE REQUIRED

W1 WALL DETAIL (NON RATED) SCALE 3/4"=1'-0"
W1A WALL DETAIL (1 HR RATED) U.L. DES: U305 (SIMILAR) SCALE 3/4"=1'-0" STC: 39 +/-
W1B WALL DETAIL (1 HR RATED) NO INSULATION SCALE 3/4"=1'-0"

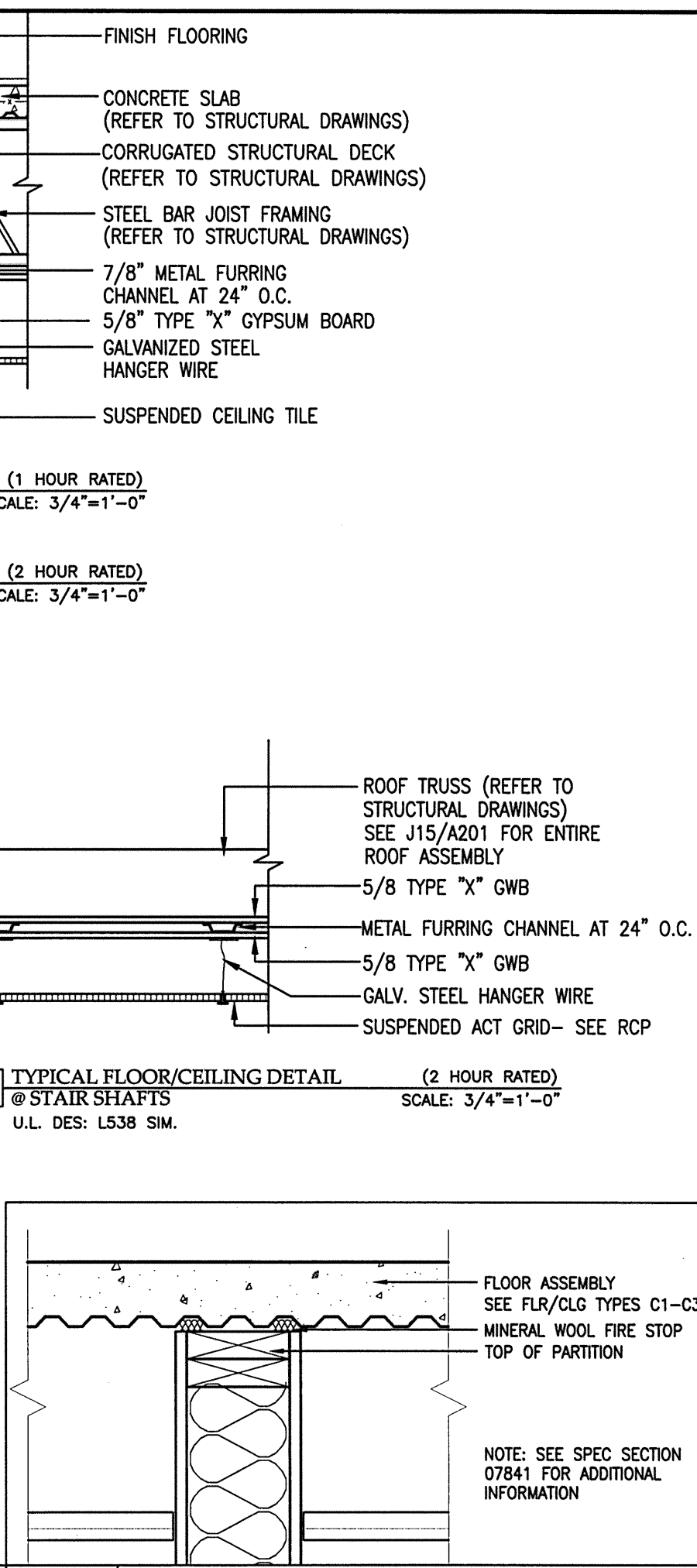
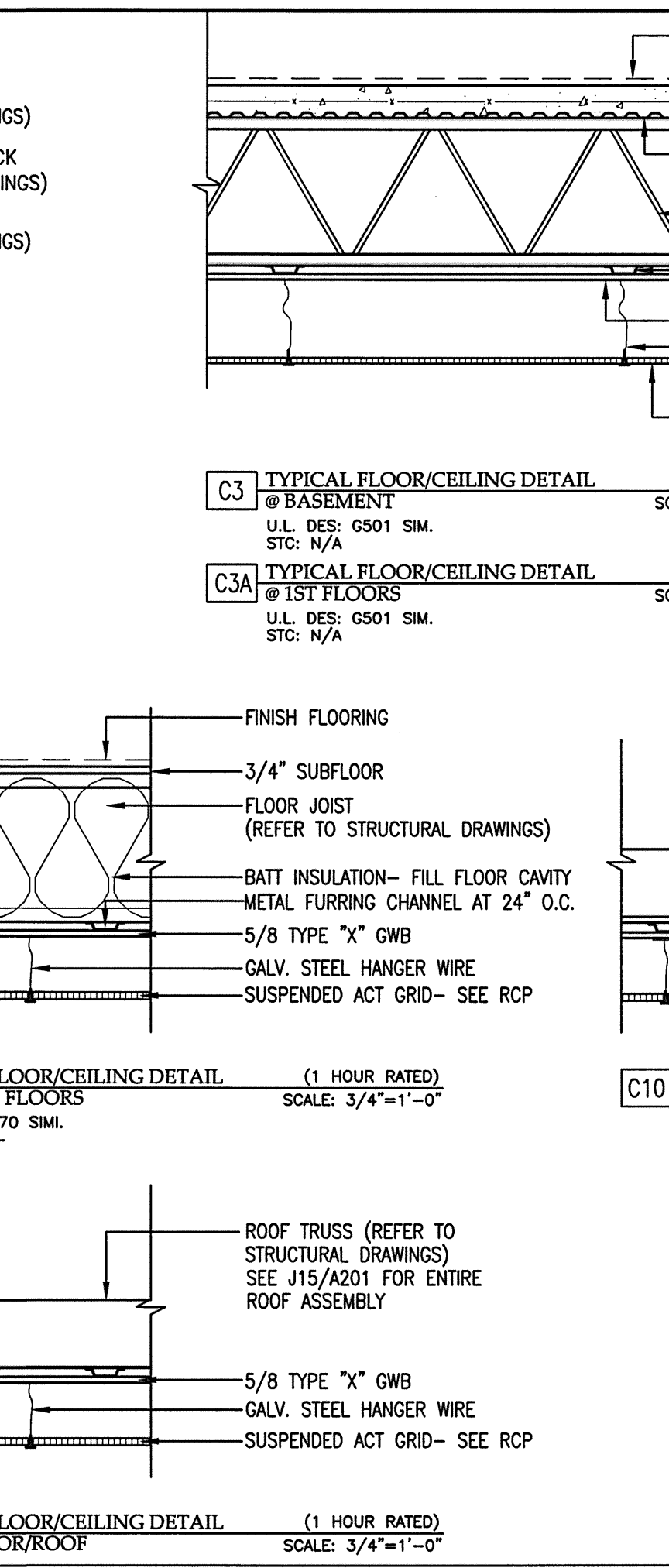
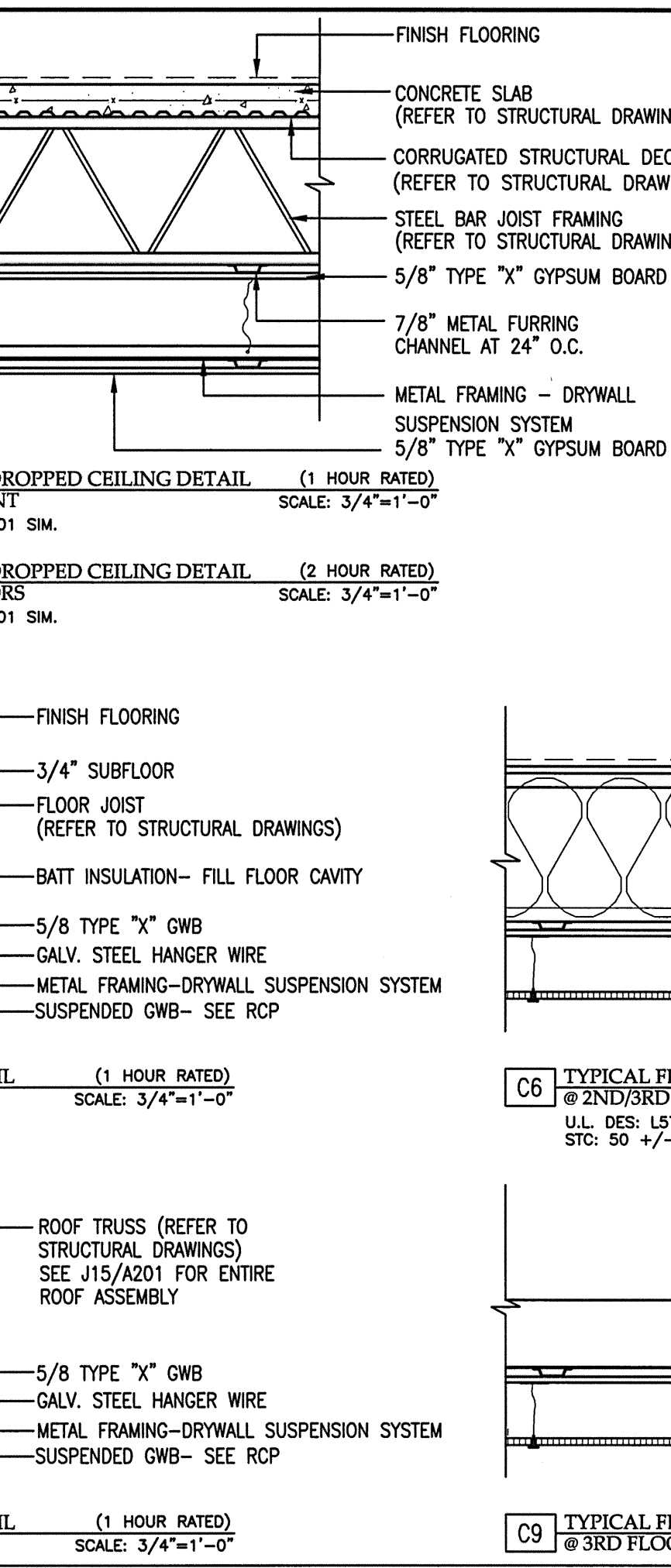
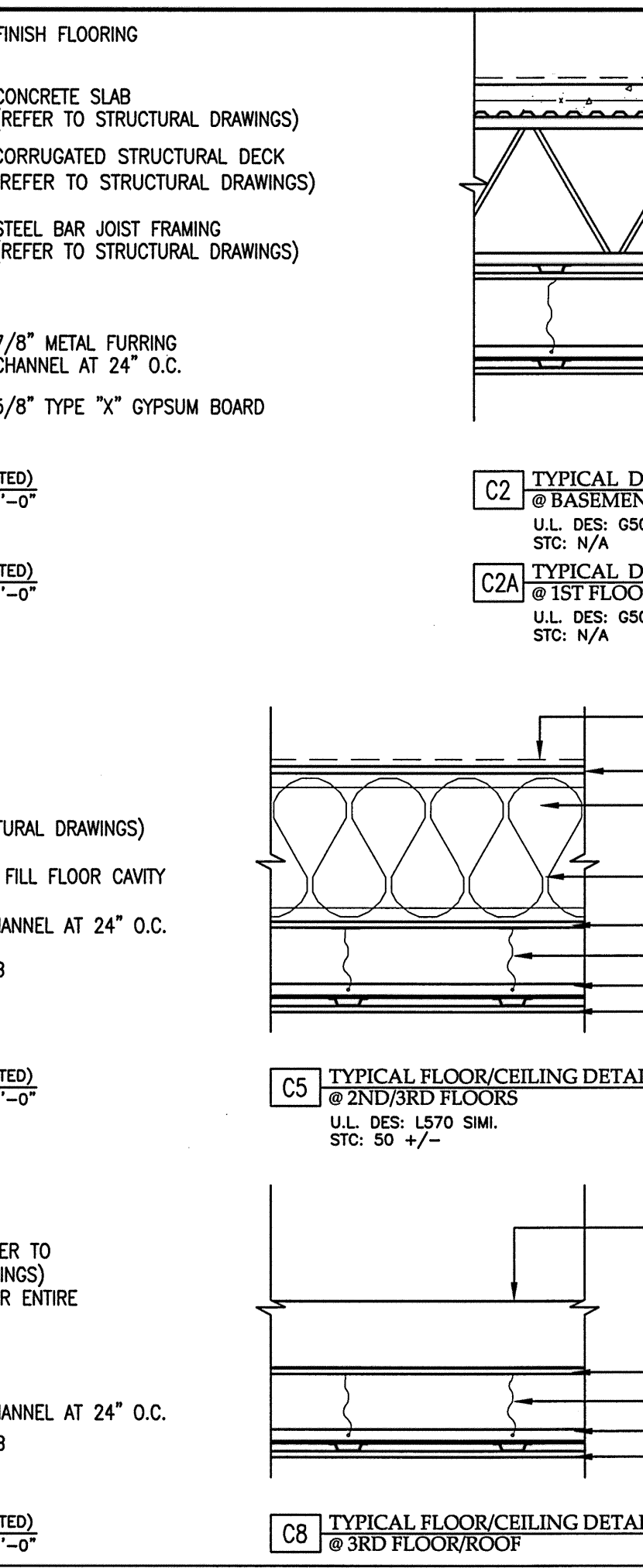
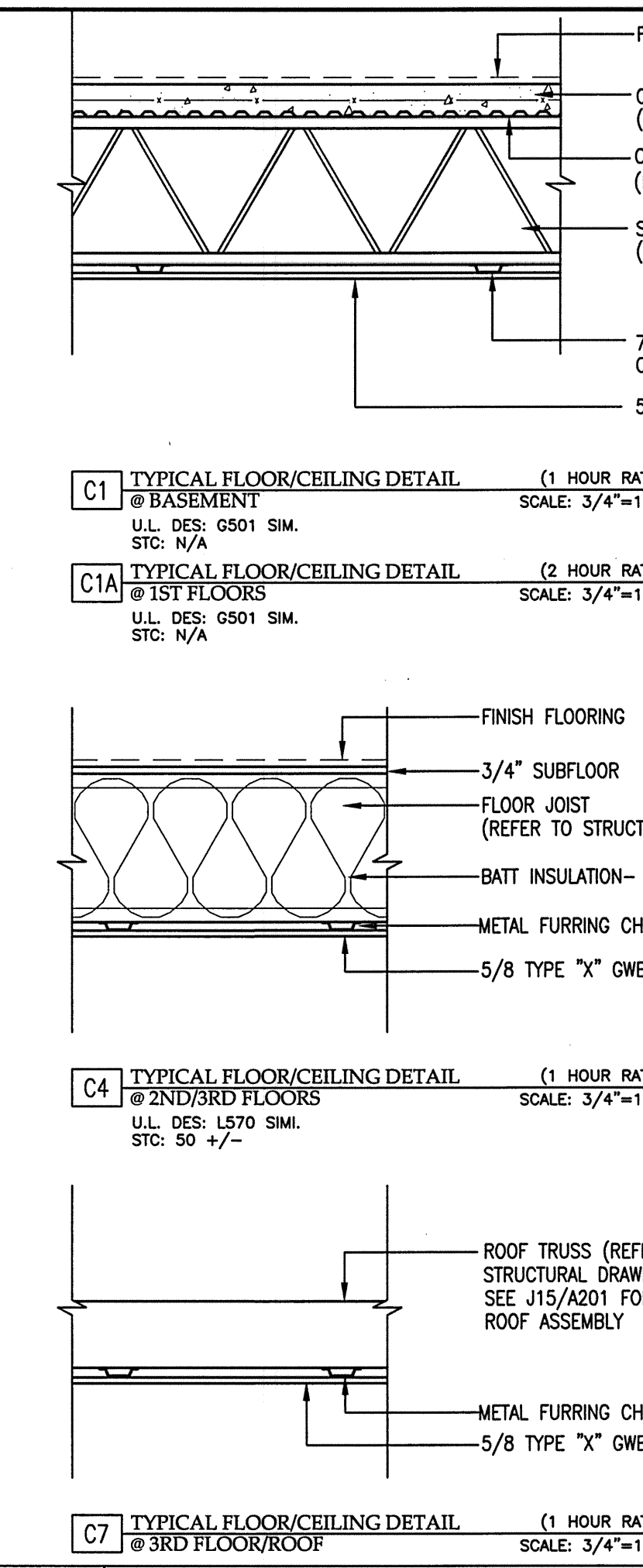
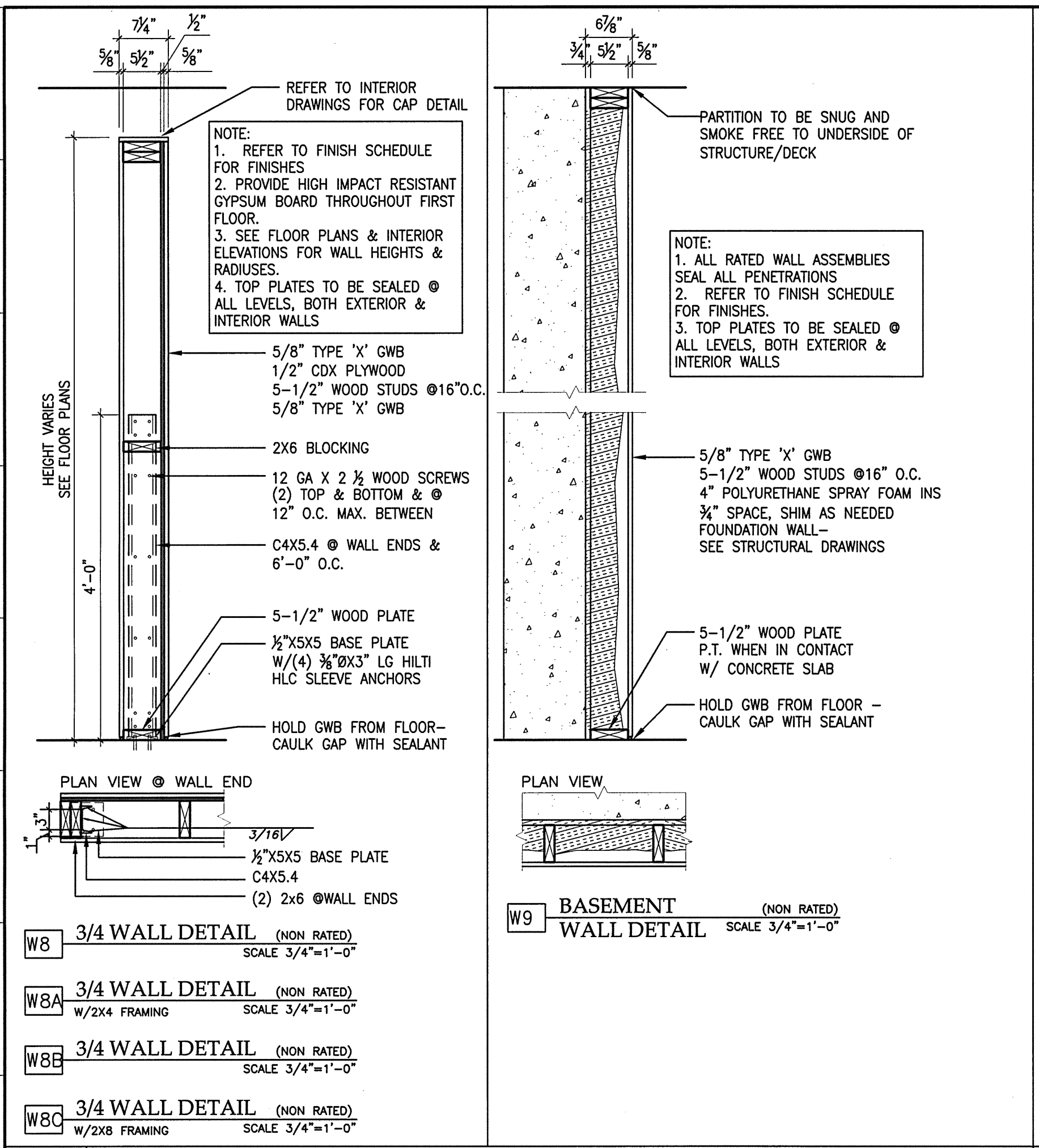
W2 WALL DETAIL (NON RATED) SCALE 3/4"=1'-0"
W2A WALL DETAIL (1 HR RATED) U.L. DES: U305 (SIMILAR) SCALE 3/4"=1'-0" STC: 39 +/-
W2B WALL DETAIL (1 HR RATED) NO INSULATION SCALE 3/4"=1'-0"
W2C WALL DETAIL (1/2 HR RATED) U.L. DES: U305 (SIMILAR) SCALE 3/4"=1'-0" STC: 39 +/-
W2D WALL DETAIL (1 HR RATED) 2X8 STUDS SCALE 3/4"=1'-0"

W3 HALF WALL DETAIL (NON RATED) SCALE 3/4"=1'-0"
W3A HALF WALL DETAIL (NON RATED) W/2X4 FRAMING SCALE 3/4"=1'-0"

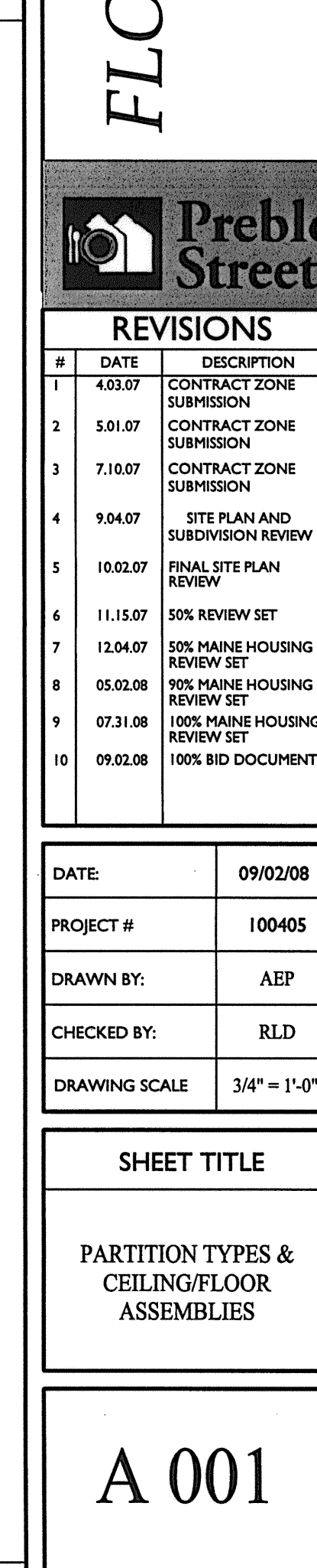
W4 SHAFT WALL DETAIL (1 HR RATED) U.L. DES: U415 STC: 51 +/-
W4A SHAFT WALL DETAIL (2 HR RATED) U.L. DES: U415 STC: 51 +/-

W5 TUB/SHOWER WALL DETAIL (NON RATED) SCALE 3/4"=1'-0"
W5A TUB/SHOWER WALL DETAIL (1 HR RATED) U.L. DES: U337 (SIMILAR) SCALE 3/4"=1'-0" STC: 40 +/-
W5B TUB/SHOWER WALL DETAIL (1 HR RATED) WITHOUT TUB/SHOWER SCALE 3/4"=1'-0"

W6 PARTY WALL DETAIL (1 HR RATED) U.L. DES: U327 SIM. STC: 50 +/-
W7 CMU SHAFT WALL DETAIL (2 HR RATED) U.L. DES: U914 SIM. SCALE 3/4"=1'-0"
W7A CMU SHAFT WALL DETAIL (2 HR RATED) NO GWB/RESILIENT CHANNEL SCALE 3/4"=1'-0"



J18 FIRE STOPPING DETAIL
 1 1/2"=1'-0" @ ALL BASEMENT & 1ST FLR FULL-HEIGHT PARTITIONS



C7 TYPICAL FLOOR/CEILING DETAIL (1 HOUR RATED) @ 3RD FLOOR/ROOF SCALE: 3/4"=1'-0"
C8 TYPICAL FLOOR/CEILING DETAIL (1 HOUR RATED) @ 3RD FLOOR/ROOF SCALE: 3/4"=1'-0"
C9 TYPICAL FLOOR/CEILING DETAIL (1 HOUR RATED) @ 3RD FLOOR/ROOF SCALE: 3/4"=1'-0"
C10 TYPICAL FLOOR/CEILING DETAIL (2 HOUR RATED) @ STAIR SHAFTS SCALE: 3/4"=1'-0"