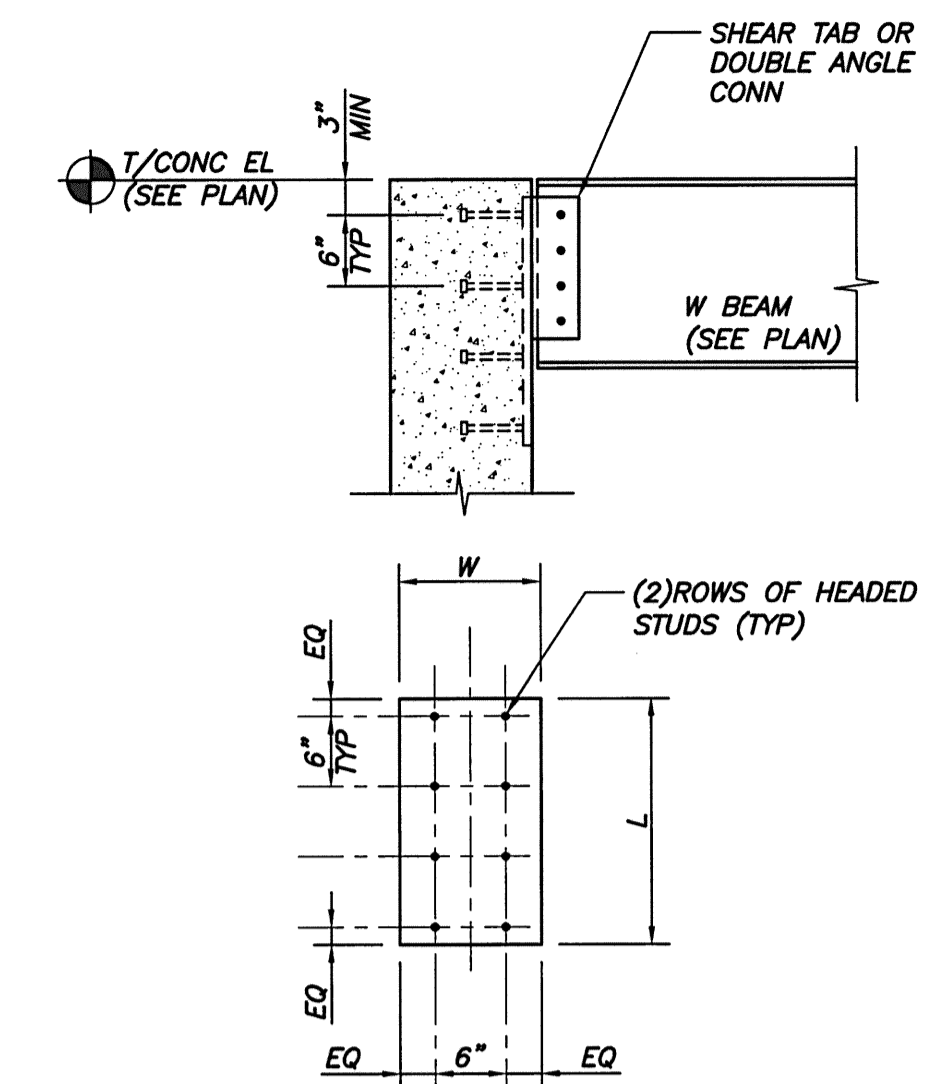
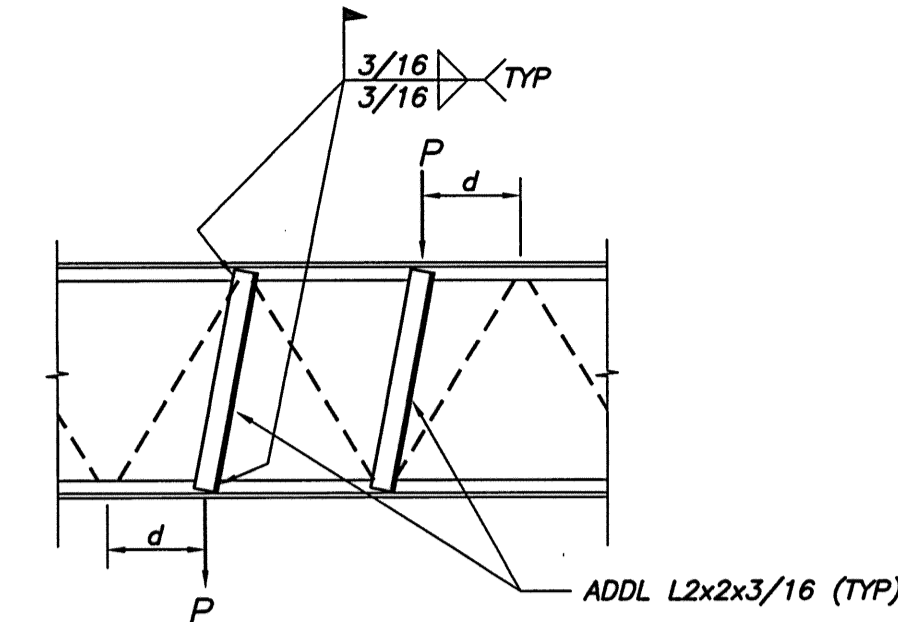
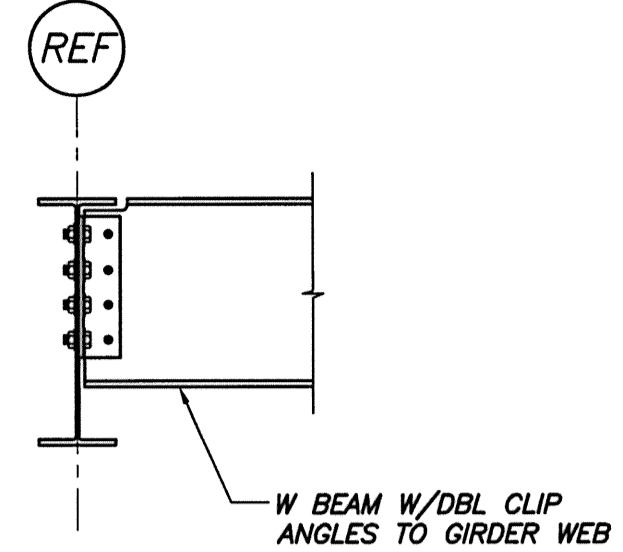


BEAM SIZE	DESIGN REACTION
W10x12, W10x15	10K
W10x22	20K
W12x14, W12x16	15K
W12x19	25K
W12x35	20K
W14x22	25K
W16x26	30K
W16x31	40K
W16x36	30K
W18x35	30K
W18x40	40K
W21x44, W21x50	55K
W24x55	45K
W24x84	65K



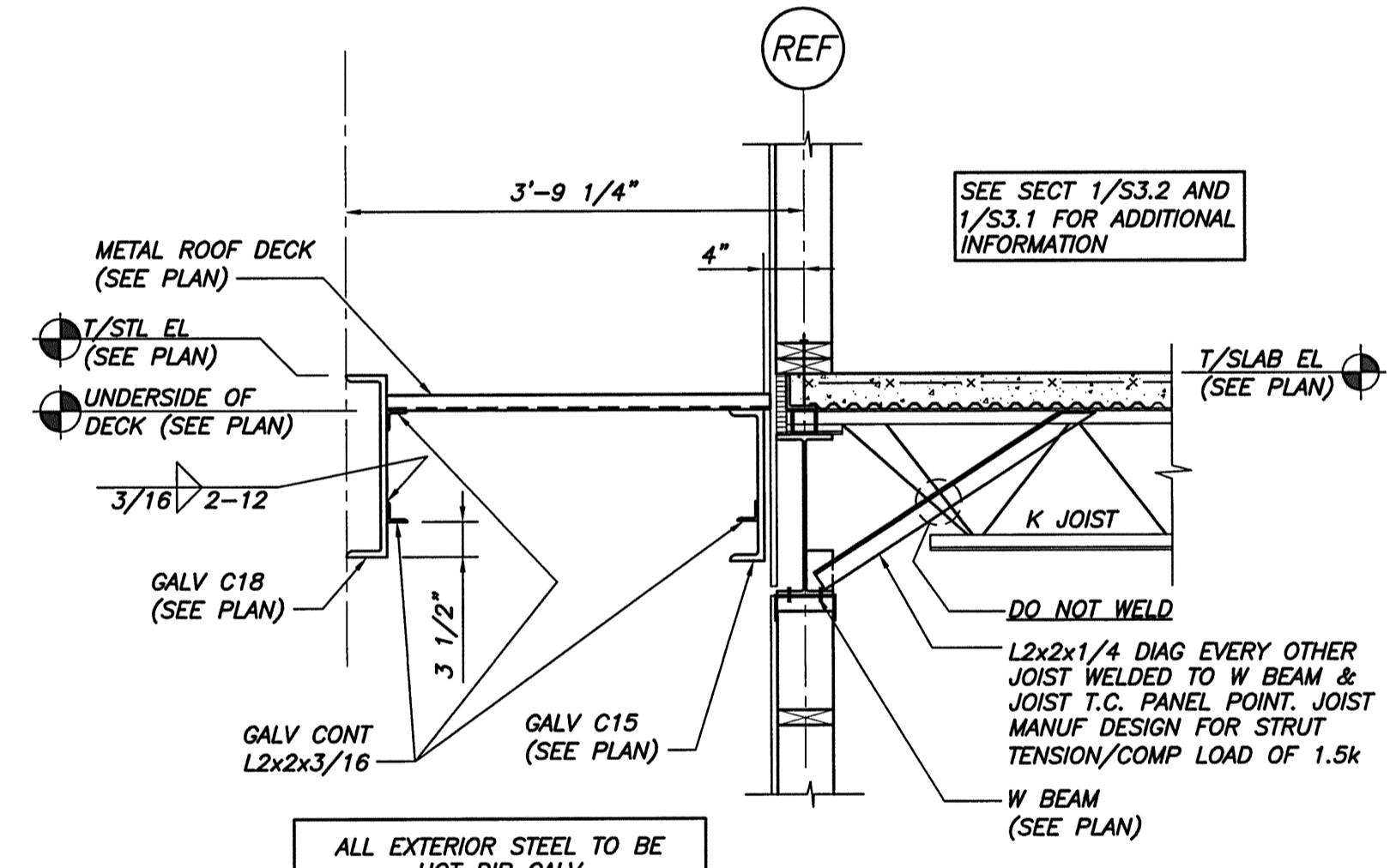
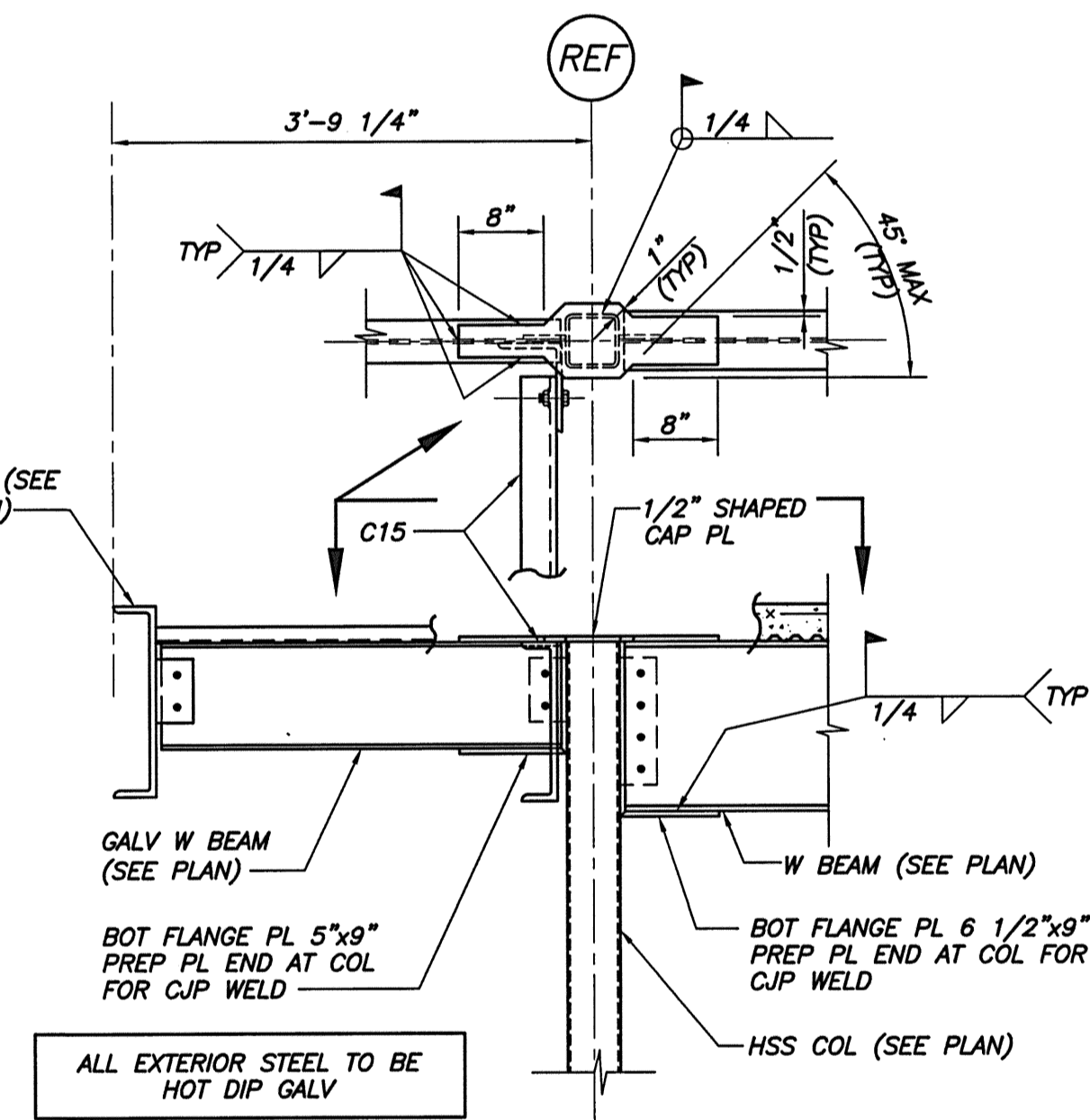
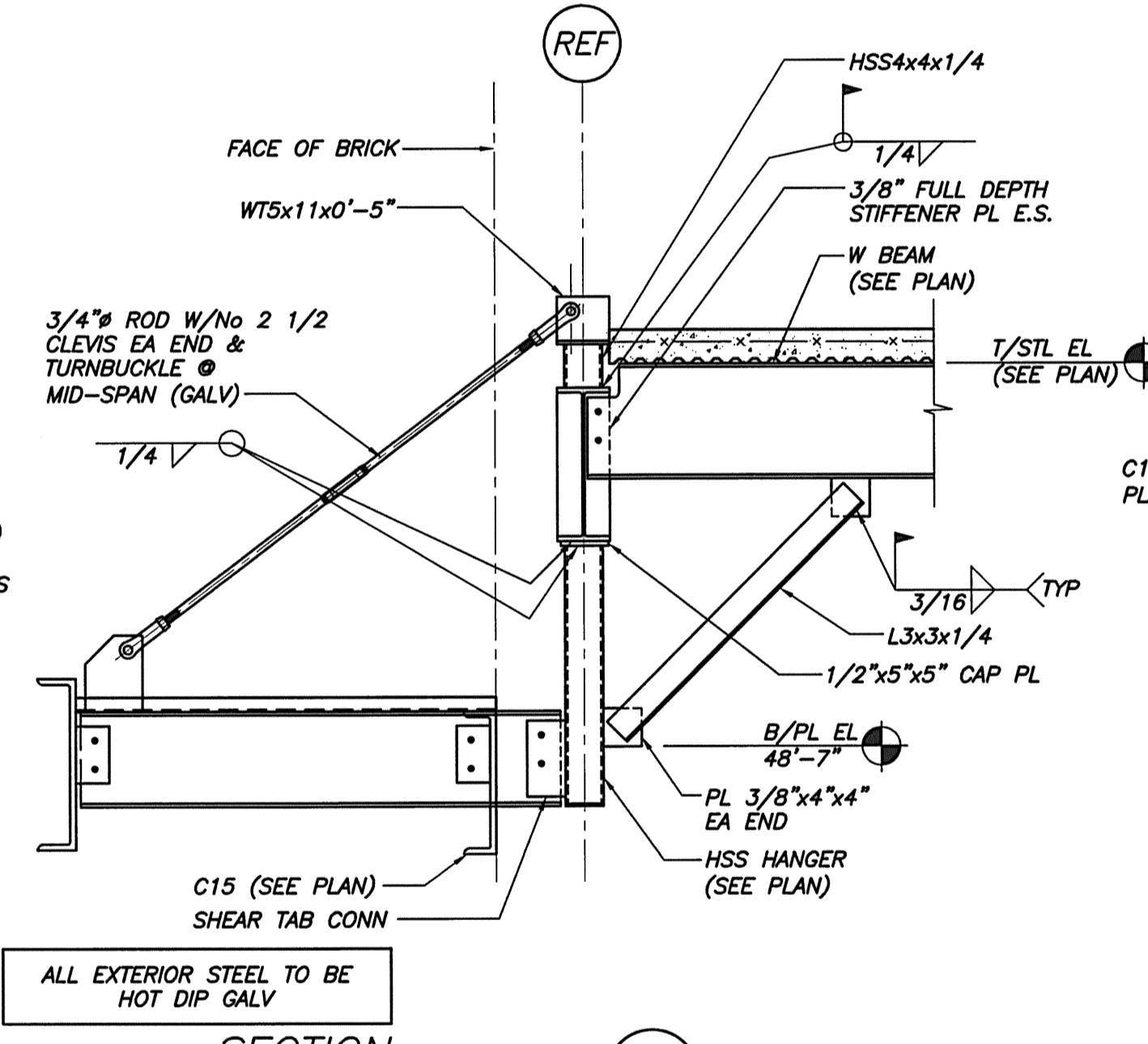
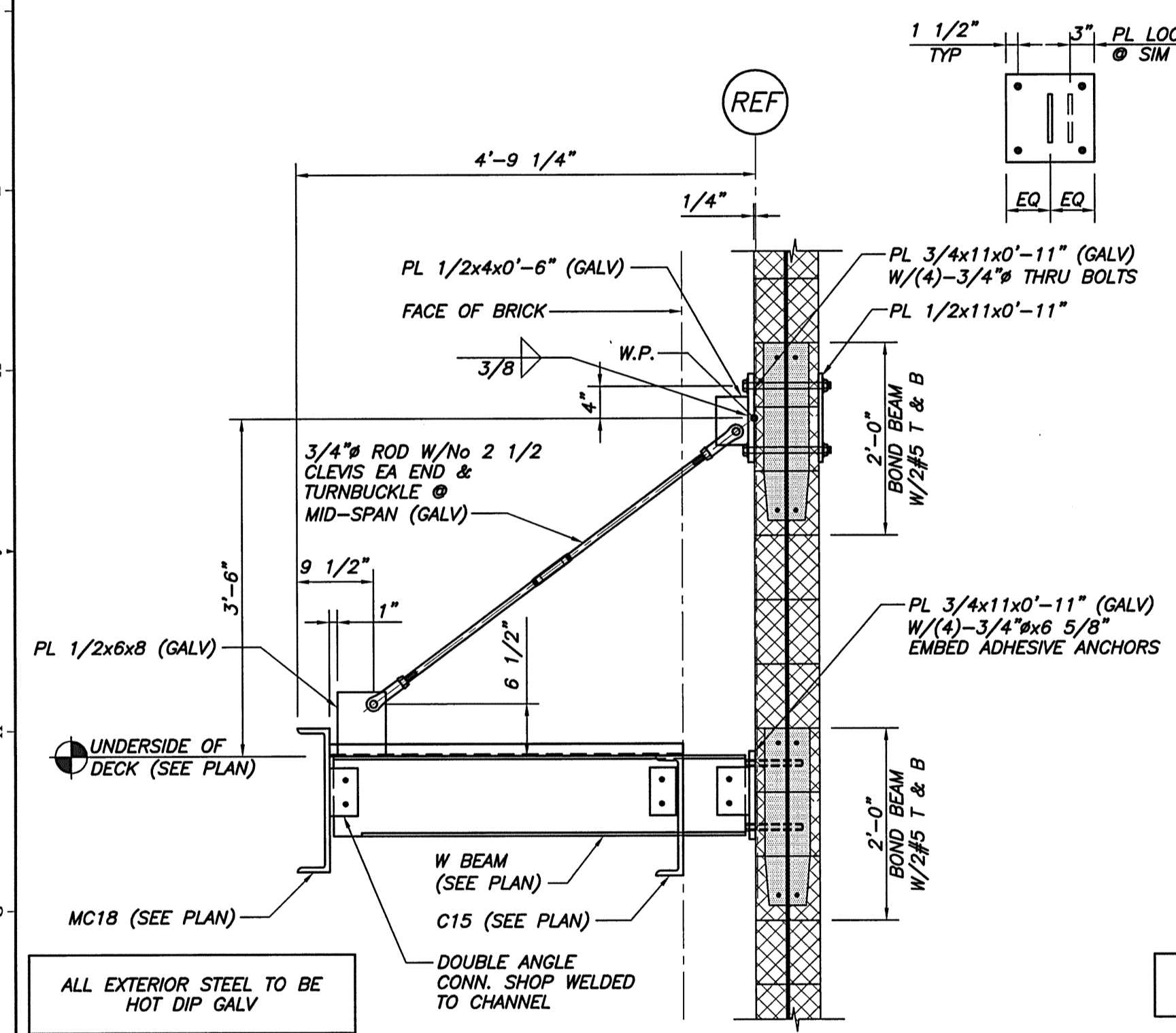
BEAM SIZE	PL SIZE (TxWxL)	No & SIZE OF HEADED STUDS
W10/W12	1/2x12x1'-3"	(6)-3/4"x6" LONG
W14	1/2x12x1'-3"	(6)-3/4"x6" LONG
W16	1/2x12x1'-9"	(8)-3/4"x6" LONG

TYP BEAM TO HSS COL CONN U.N.O. N.T.S.

TYP BEAM/BEAM CONN DETAIL N.T.S.

TYP JOIST REINF DETAIL N.T.S.

- FOR CONCENTRATED LOADS LOCATED A DISTANCE "d", 4" OR MORE FROM PANEL POINT, PROVIDE ADDITIONAL WEB MEMBERS AS SHOWN.
- P = 300# MAX LOAD.

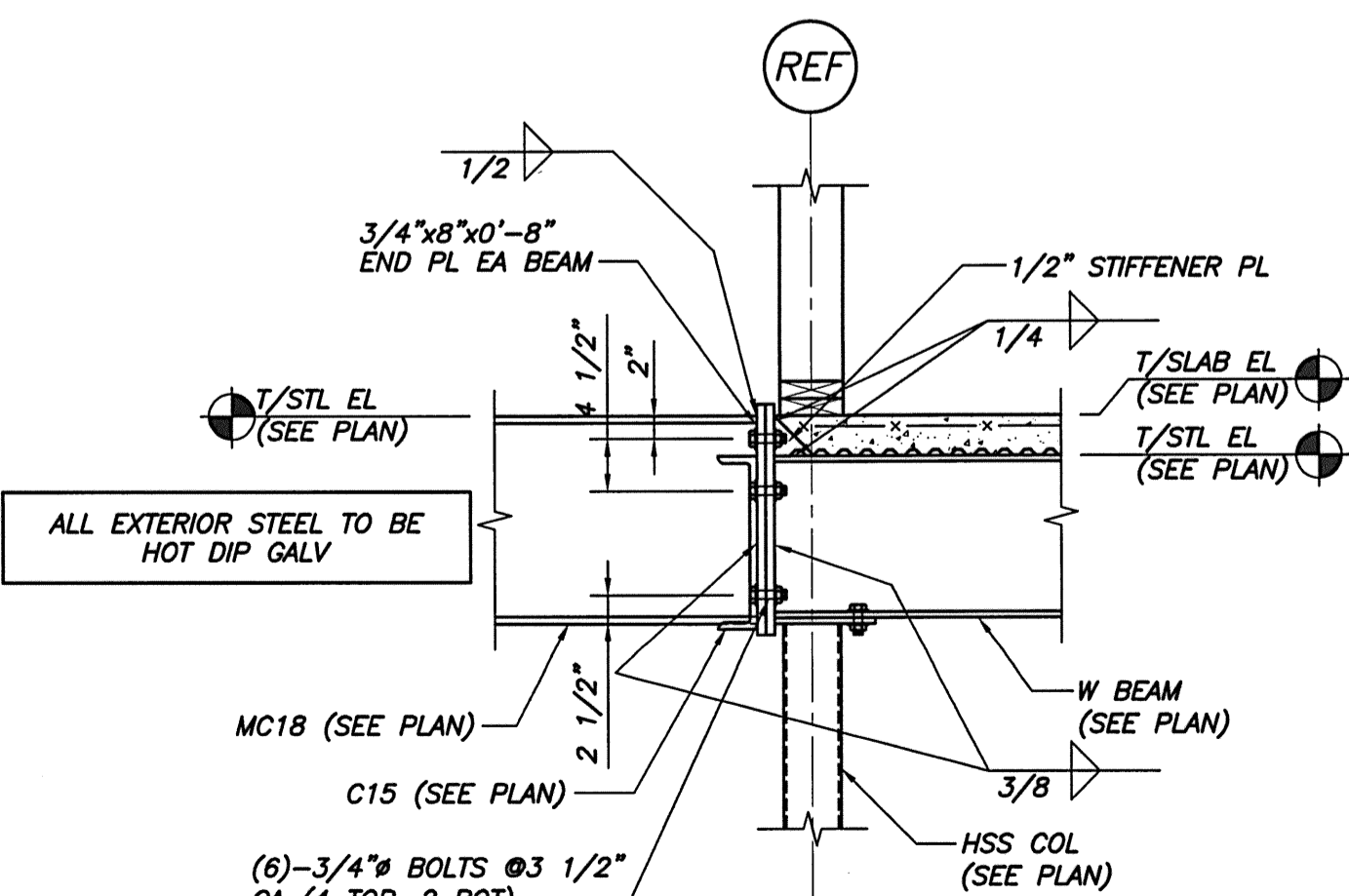
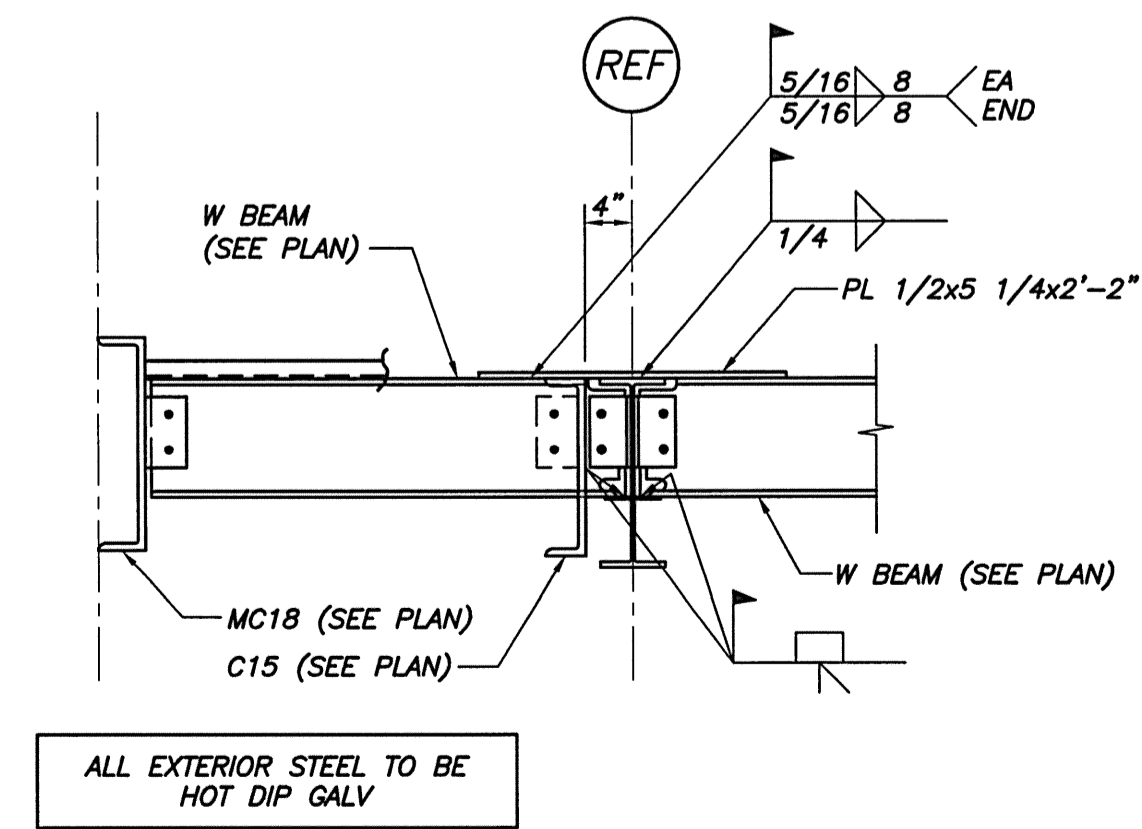


SECTION 1 3/4"=1'-0" S1.2

SECTION 2 3/4"=1'-0" S1.2

SECTION 3 3/4"=1'-0" S1.3

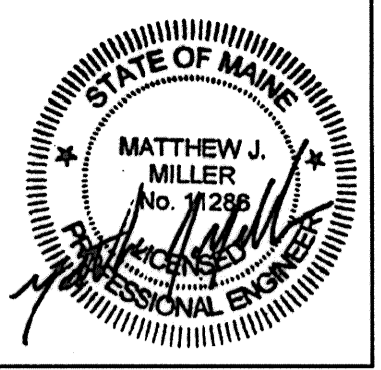
SECTION 4 3/4"=1'-0" S1.3



SECTION 5 3/4"=1'-0" S1.3

SECTION 6 3/4"=1'-0" S1.3

BECKER
STRUCTURAL ENGINEERS, INC.
75 York Street
Portland, ME 04101-4701
Tel. 207-679-1838
Fax. 207-679-1832
www.beckers.com



GAWRON TURGEON ARCHITECTS
29 Black Point Road
Scarborough, ME 04074
www.gawronturgeon.com
Tel. 207-883-6307
Fax. 207-883-0361

AVESTA HOUSING

FLORENCE HOUSE
PORTLAND, MAINE

Preble Street

REVISIONS	
#	DESCRIPTION

DATE:	09.02.08
PROJECT #:	1686
DRAWN BY:	MCN
CHECKED BY:	MJM
DRAWING SCALE:	AS NOTED

SHEET TITLE
TYPICAL FRAMING SECTIONS

S3.1

© COPYRIGHT 1985-2006
REPRODUCTION OR USE OF THIS DOCUMENT WITHOUT WRITTEN PERMISSION OF GAWRON TURGEON ARCHITECTS IS PROHIBITED