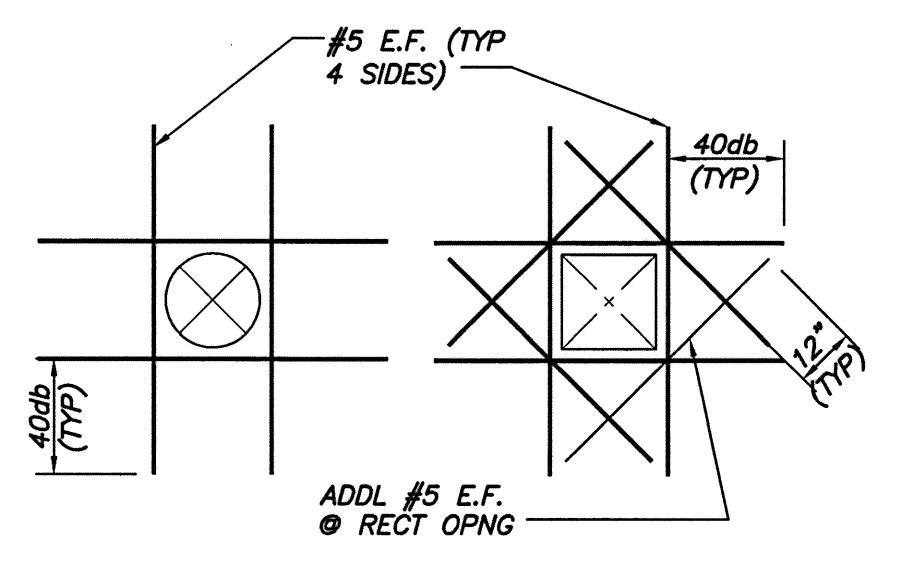
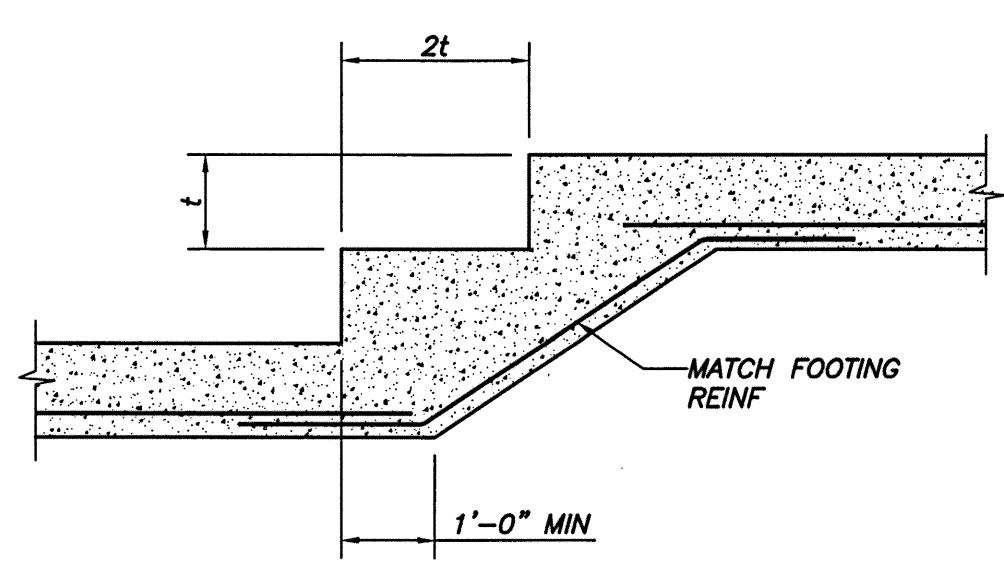


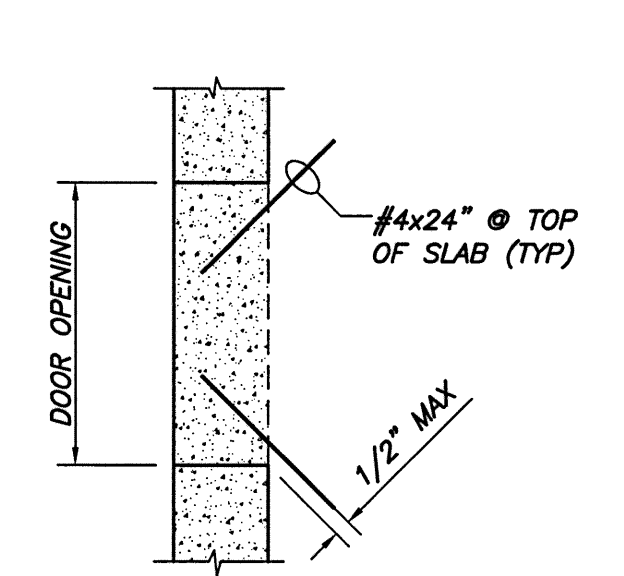
TYP WALL REINF DETAILS  
N.T.S.



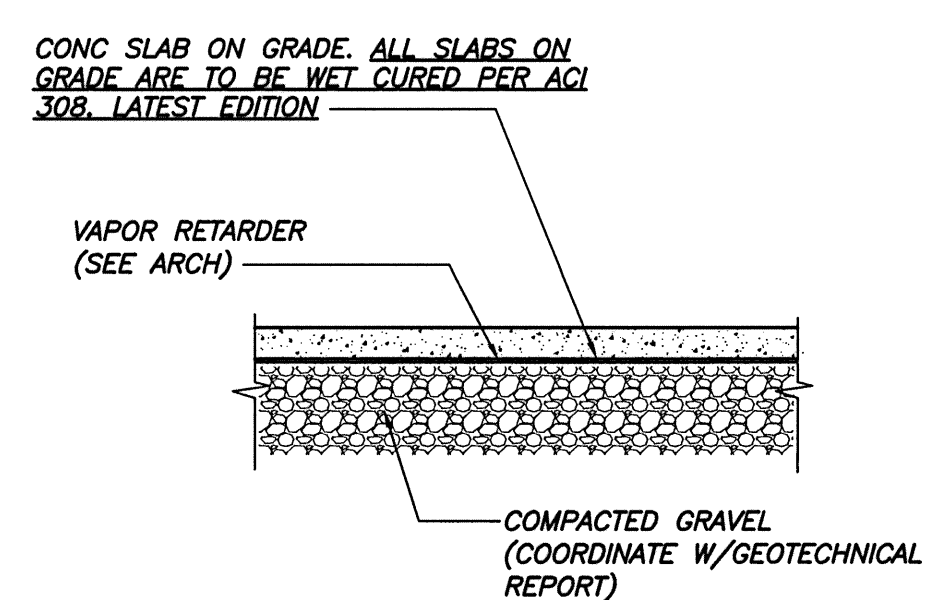
TYP OPENING IN WALL OR SLAB DETAIL  
N.T.S.



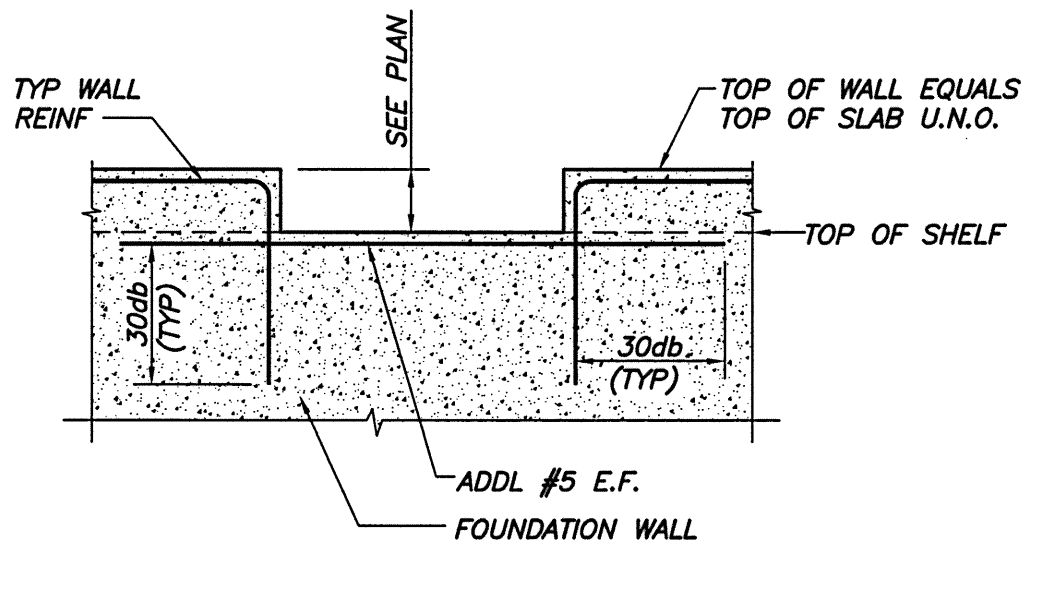
TYP STEP FOOTING DETAIL  
N.T.S.  
t = FOOTING THICKNESS



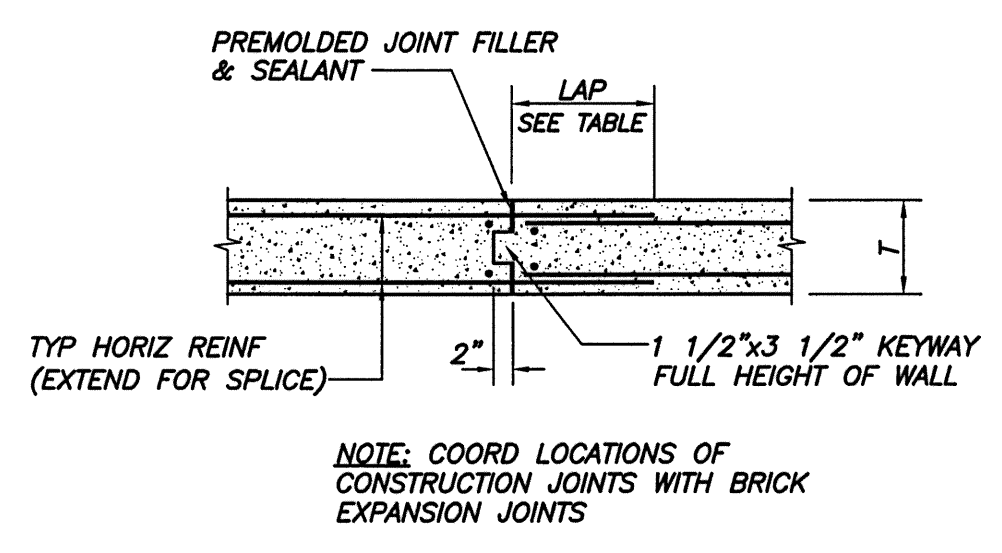
TYP SLAB CORNER DETAIL @ DOOR  
N.T.S.  
NOTE: ALSO PROVIDE #4x24" (TOP) IN SLAB @ INSIDE RE-ENTRANT CORNERS (SEE PLAN)



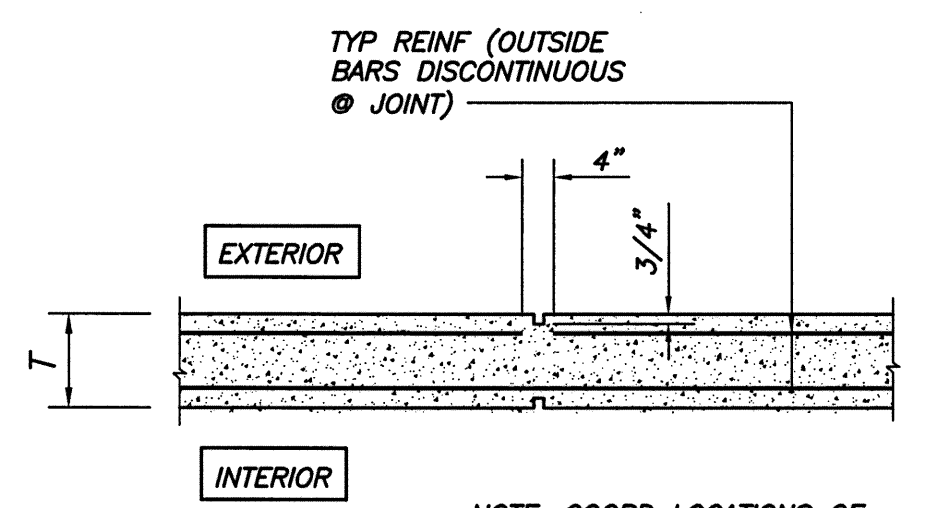
TYP SLAB DETAIL  
N.T.S.



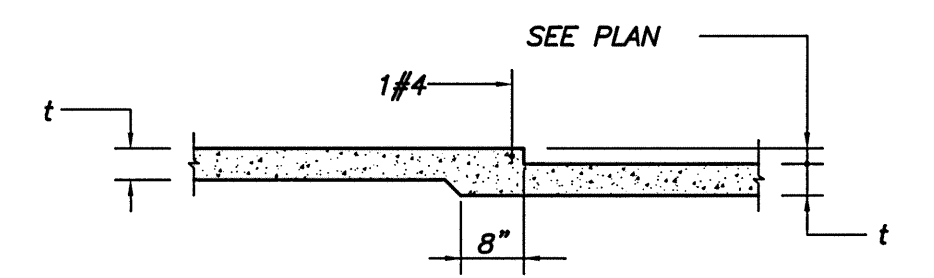
TYP WALL DEPRESSION DETAIL @ DOOR  
N.T.S.



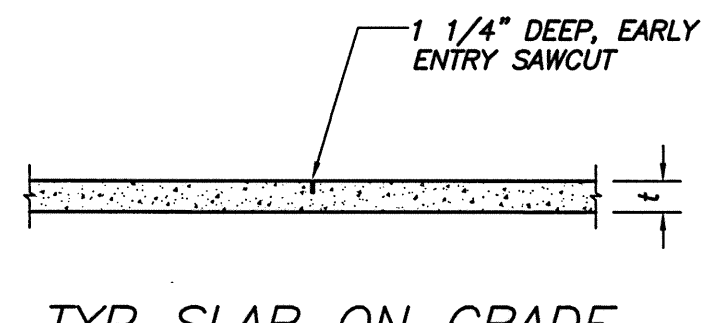
TYP CONSTRUCTION JOINT IN WALL  
N.T.S.  
T = WALL THICKNESS



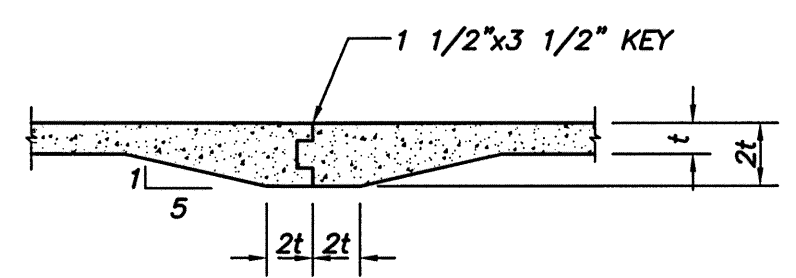
TYP CONTRACTION JOINT IN WALL  
N.T.S.  
T = WALL THICKNESS



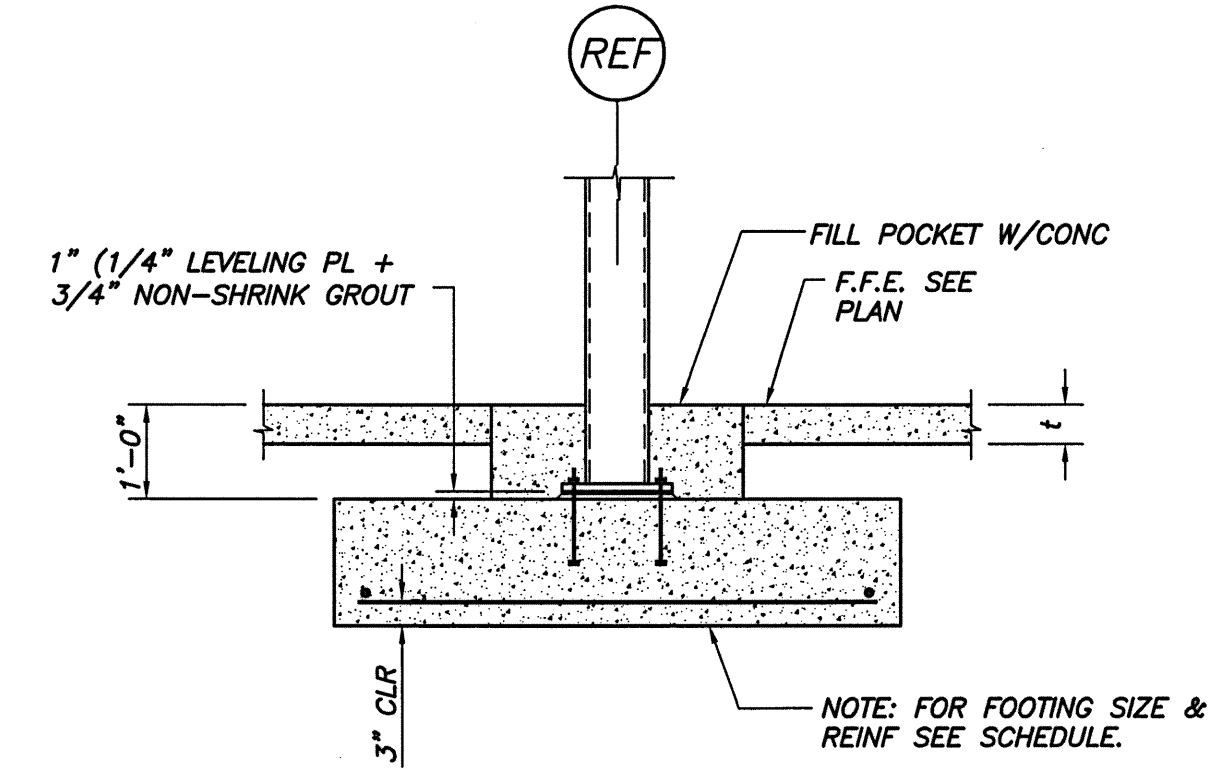
TYP SLAB ON GRADE DEPRESSION DETAIL  
N.T.S.  
t = SLAB THICKNESS



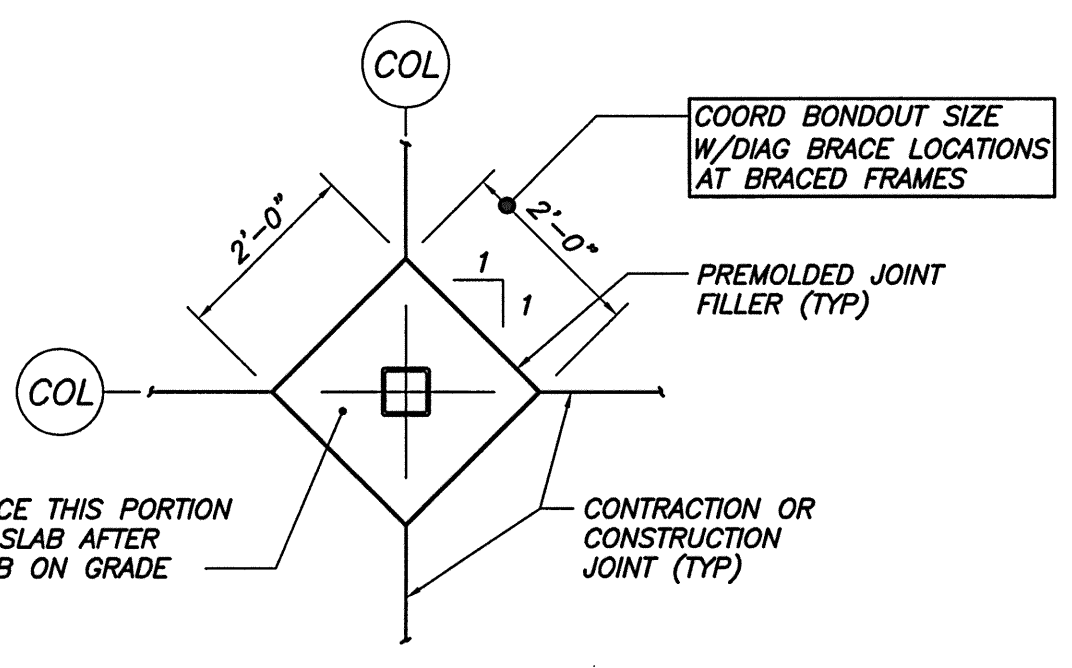
TYP SLAB ON GRADE CONTRACTION JOINT DETAIL  
N.T.S.  
t = SLAB THICKNESS



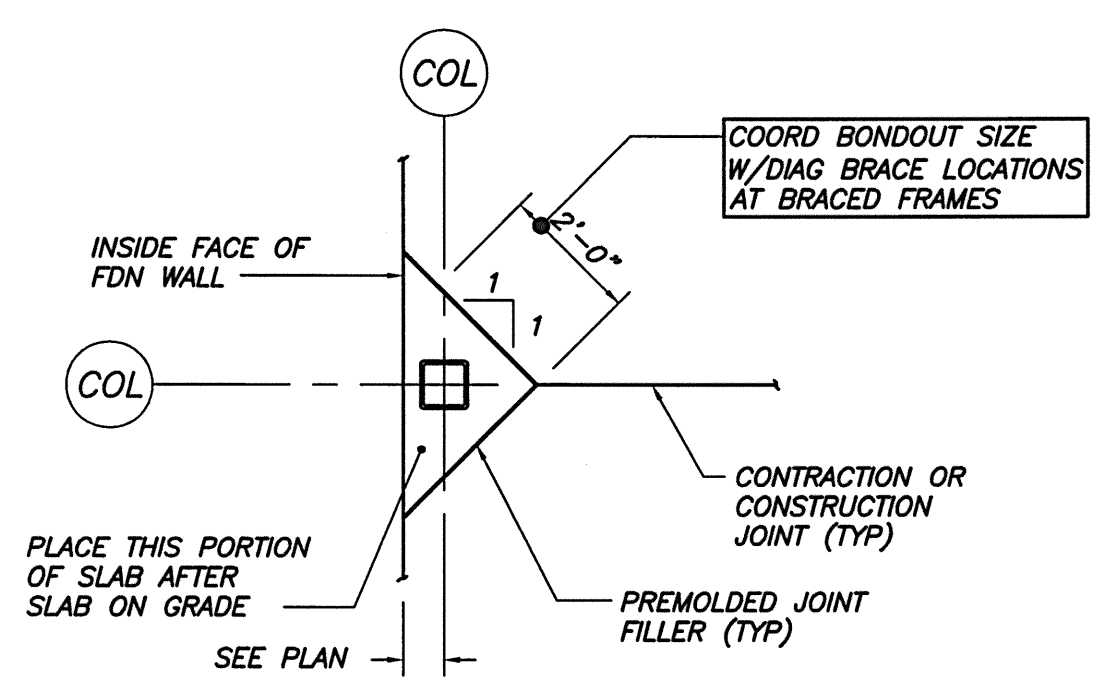
TYP SLAB ON GRADE CONST JOINT DETAIL  
N.T.S.  
t = SLAB THICKNESS



TYP INTERIOR FOOTING  
N.T.S.

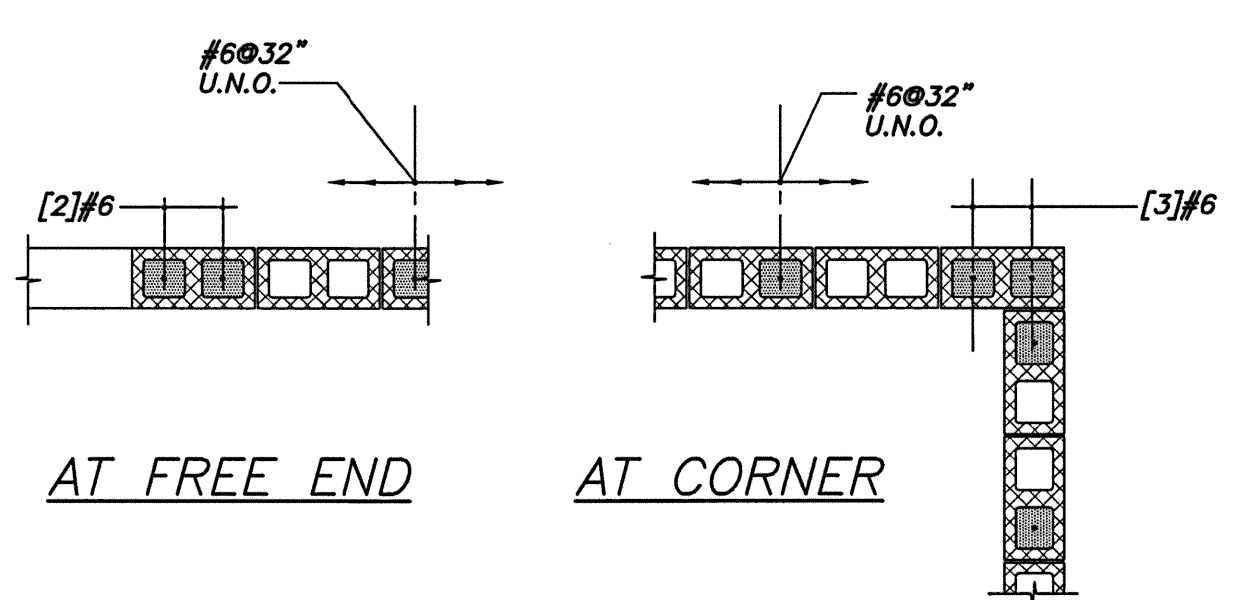


TYP INT COLUMN ISOLATION JOINT DETAIL  
N.T.S.

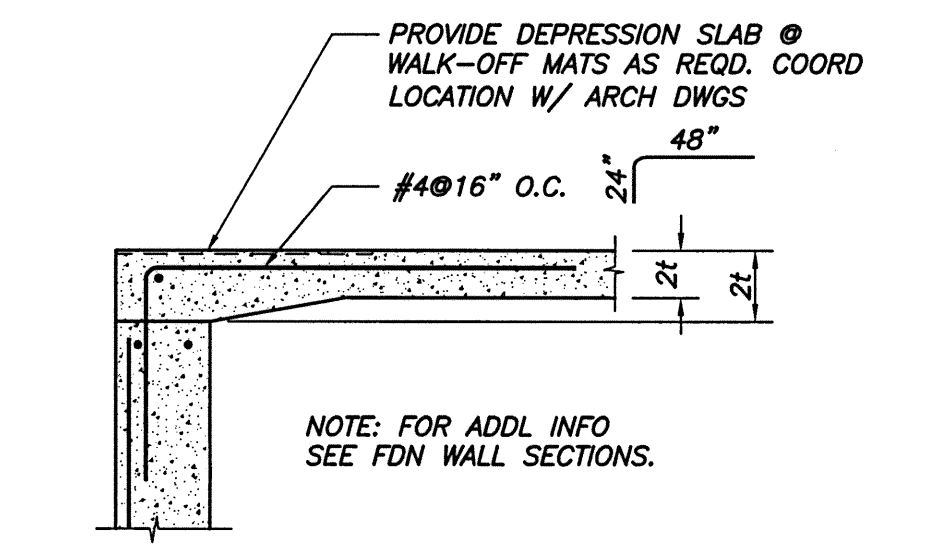


TYP EXT COLUMN ISOLATION JOINT DETAIL  
N.T.S.

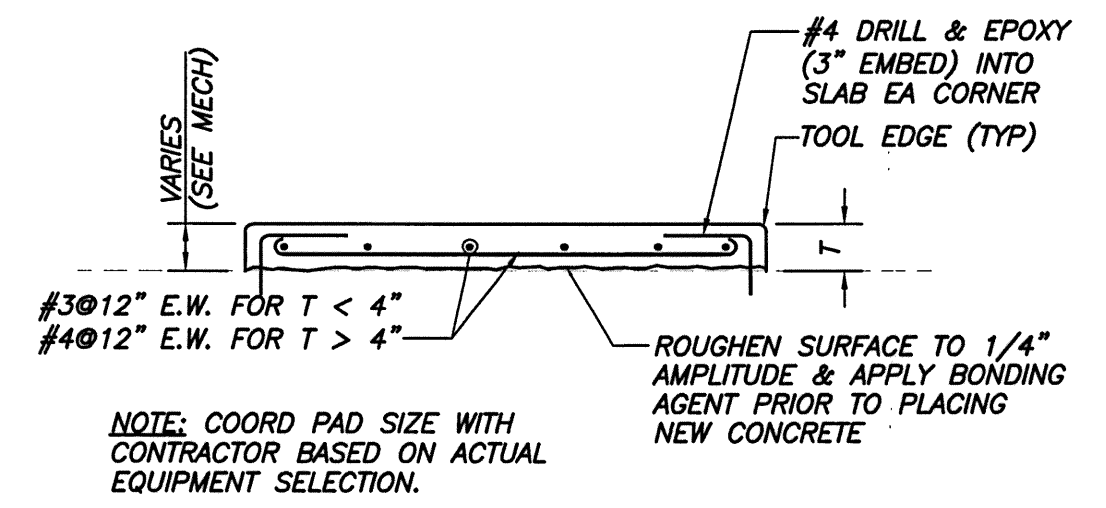
BAR SIZE	LAP LENGTH	
	3,000 PSI	4,000 PSI
#3	30"	24"
#4	36"	32"
#5	48"	42"
#6	64"	56"
#7	81"	72"
#8	93"	80"



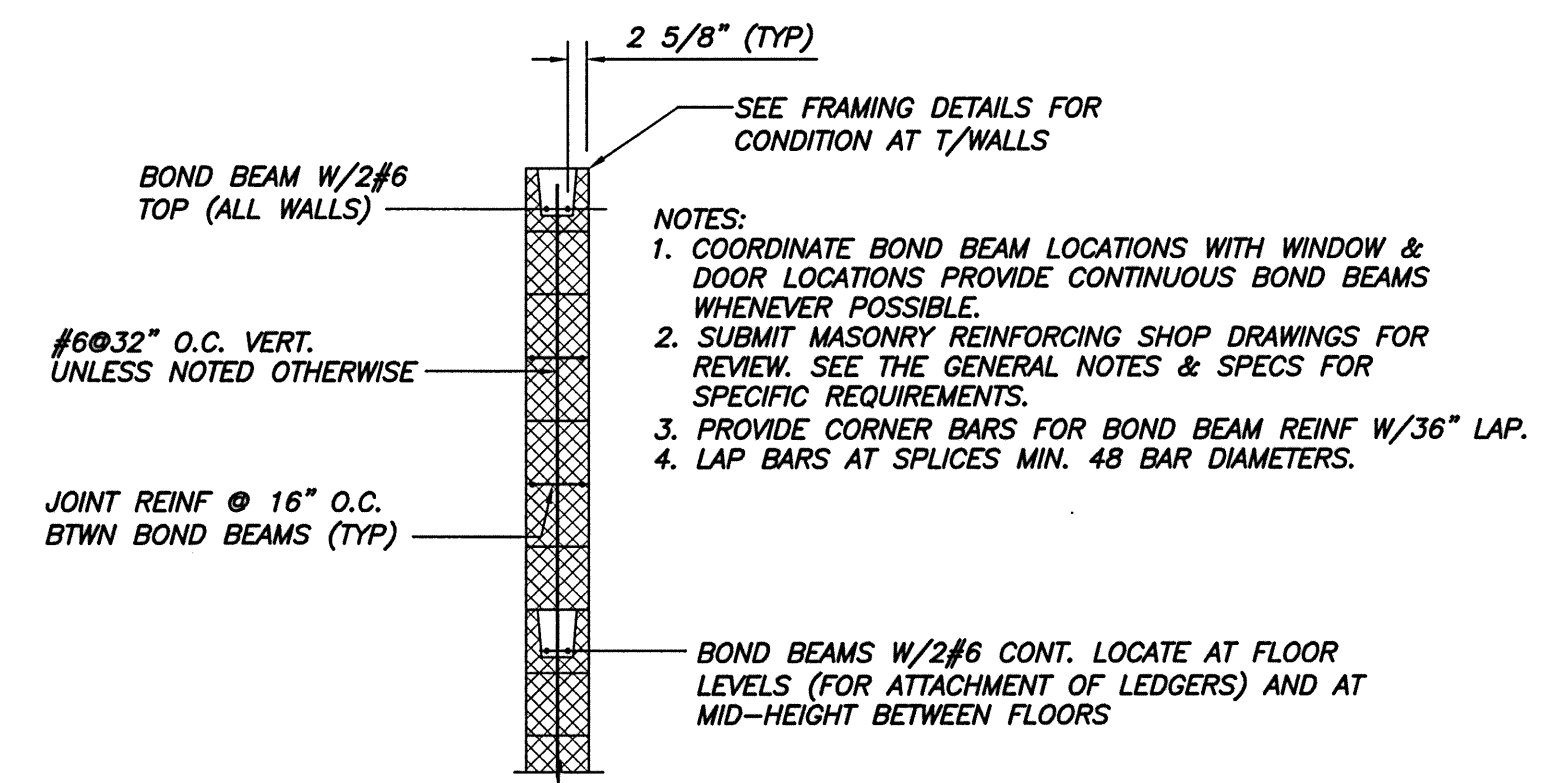
TYP PLAN DETAILS AT 8" CMU WALLS  
N.T.S.  
NOTES:  
1. PROVIDE LADUR TIE HORIZ REINF @16" O.C., U.N.O.  
2. PROVIDE BOND BEAMS W/2#5 CONT @ TOP OF ALL WALLS AT ALL FLOOR LEVELS & MID-HEIGHT BETWEEN FLOORS.  
3. ALL REINFORCED CELLS ARE TO BE GROUTED.  
4. LAP BARS AT SPLICES MIN. 48 BAR DIAMETERS.



TYP SLAB DETAIL @ DOOR  
N.T.S.  
t = SLAB THICKNESS



TYP EQUIPMENT HOUSEKEEPING PAD DETAIL  
1/2"=1'-0"

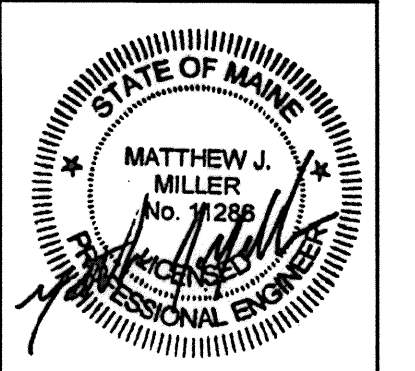


TYP 8" CMU WALL SECTION  
N.T.S.

CLEAR SPAN	WIDTH	DEPTH	REINF
< 6'-0"	8"	8"	2#5 CONT
6'-0" - 8'-0"	8"	16"	2#5 CONT

NOTE: SEE ARCH DWGS FOR LINTEL TYPE, NUMBER & LOCATIONS.

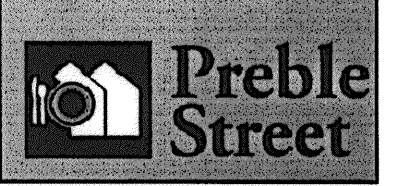
**BECKER**  
STRUCTURAL ENGINEERS, INC.  
27 York Street  
Portland, ME 04101-4701  
Tel: 207-879-1832  
Fax: 207-879-1822  
www.beckerinc.com



**GAWRON TURGEON ARCHITECTS**  
29 Black Point Road  
Scarborough, ME 04074  
www.gawronturgeon.com  
Tel: 207. 883. 6307  
Fax: 207. 883. 0361



**FLORENCE HOUSE**  
PORTLAND, MAINE



REVISIONS		
#	DATE	DESCRIPTION

DATE:	09.02.08
PROJECT #:	1686
DRAWN BY:	MCN
CHECKED BY:	MJM
DRAWING SCALE:	AS NOTED

SHEET TITLE  
TYPICAL FOUNDATION DETAILS

S2.1

© COPYRIGHT 1985-2006  
REPRODUCTION OR USE OF THIS DOCUMENT WITHOUT WRITTEN PERMISSION OF GAWRON TURGEON ARCHITECTS IS PROHIBITED.