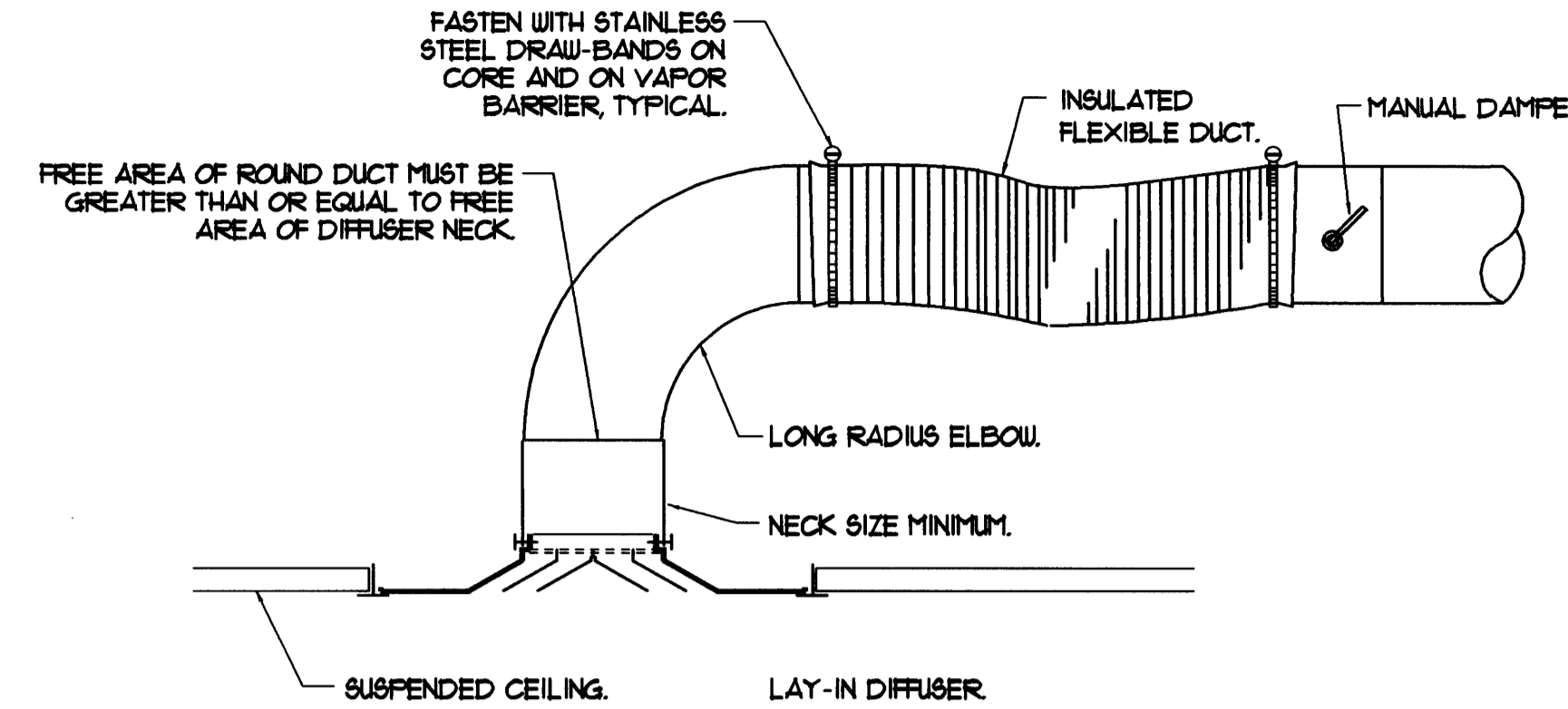


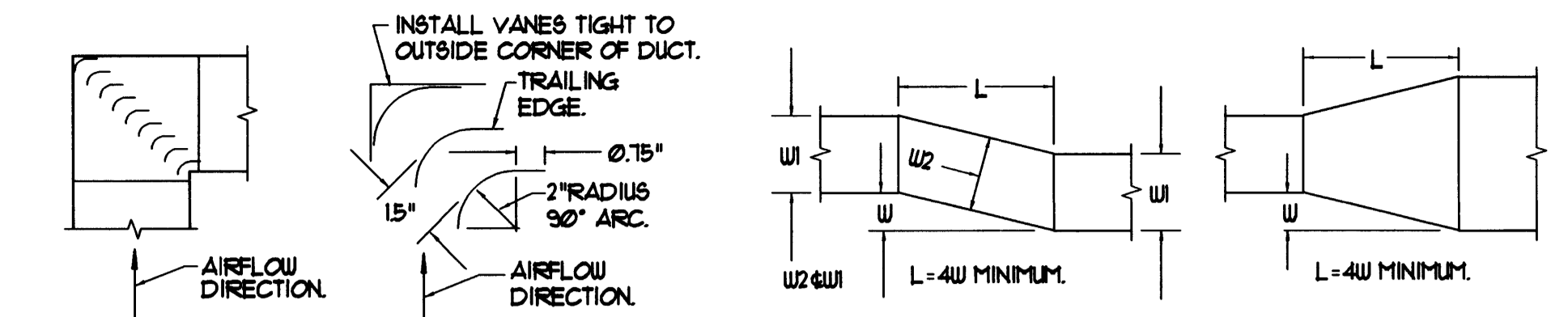
DIFFUSER/RETURN CONNECTION DETAIL
NTS

NOTE: DETAIL TYPICAL FOR CEILING GRILLES, REGISTERS AND LINEAR DIFFUSERS. FOR SURFACE-MOUNT DEVICES, SUPPORT FLENUM FROM CEILING GRID WITH STEEL ANGLES FASTENED TO FLENUM.



DIFFUSER/RETURN CONNECTION DETAIL
NTS

NOTE: DETAIL TYPICAL FOR CEILING GRILLES, REGISTERS AND LINEAR DIFFUSERS. FOR SURFACE-MOUNT DEVICES, SUPPORT FLENUM FROM CEILING GRID WITH STEEL ANGLES FASTENED TO FLENUM. FOR RETURN GRILLES, PROVIDE FLEXIBLE DUCT TO THE FLENUM WHERE INDICATED, 2 FEET LONG MINIMUM, 4 FEET MAXIMUM.

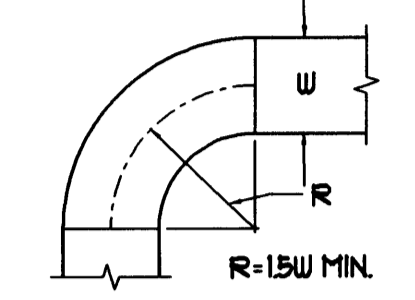


RECT. ELBOW W/TURNING VANES
NTS

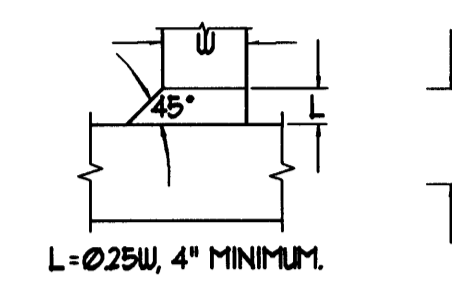
NOTE: INSTALL VANE EDGES TO PROJECT TANGENTS PARALLEL TO DUCT SIDES.

OFFSET TYPE 1 (ANGLED)
NTS

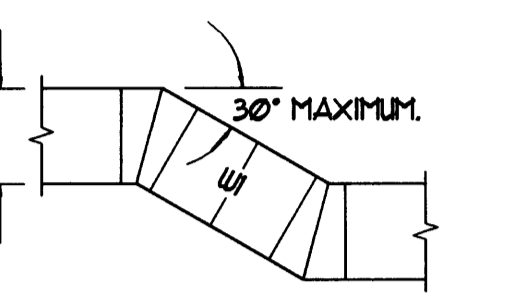
CONCENTRIC TRANSITION
NTS



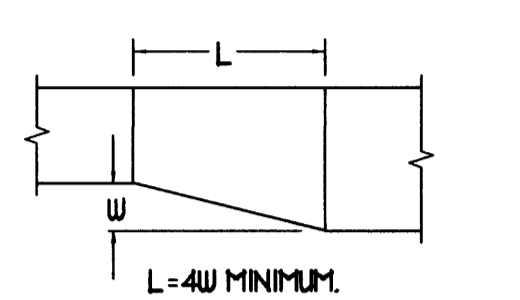
RADIUS ELBOW
NTS



RECTANGULAR TAP 45 DEGREE ENTRY
NTS

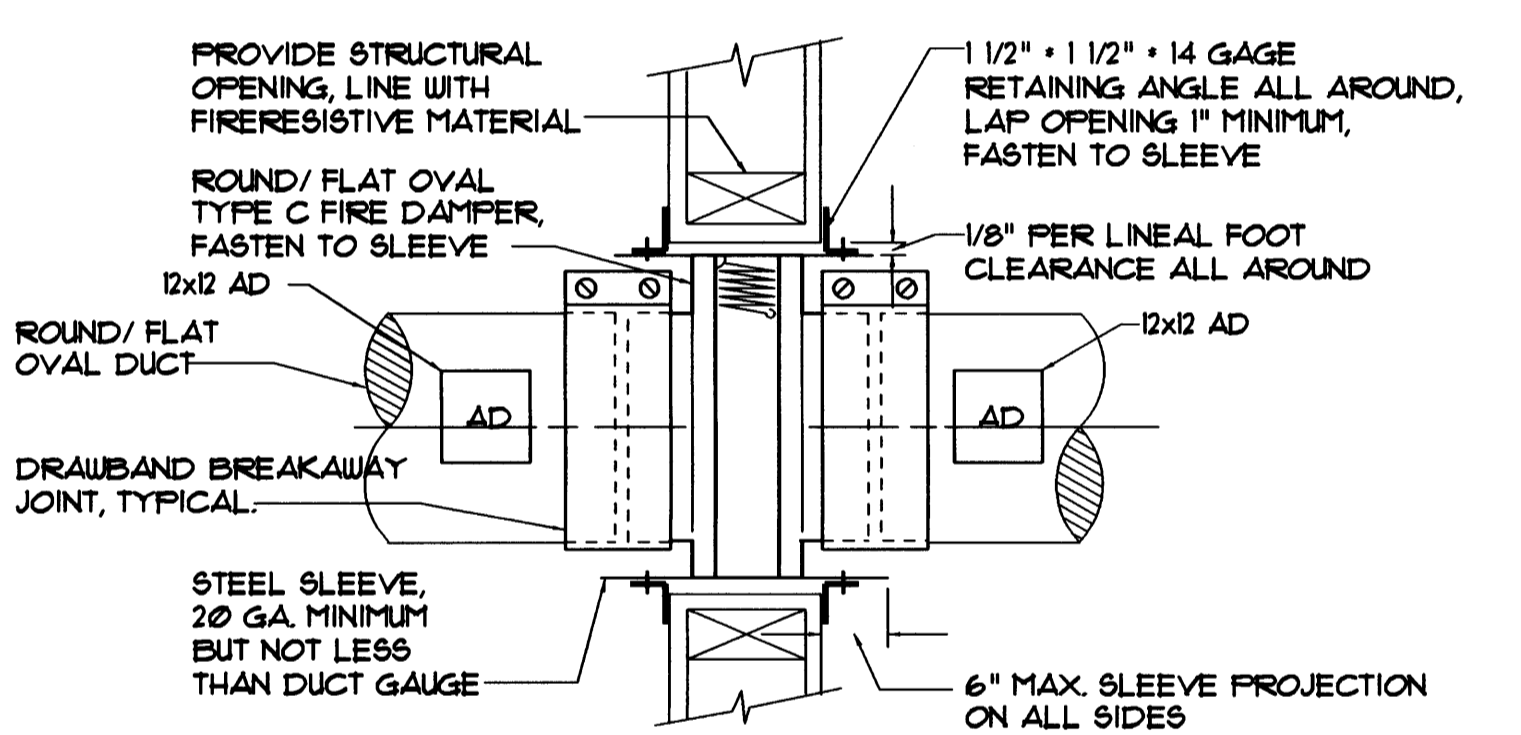


OFFSET TYPE 2 (MITERED)
NTS

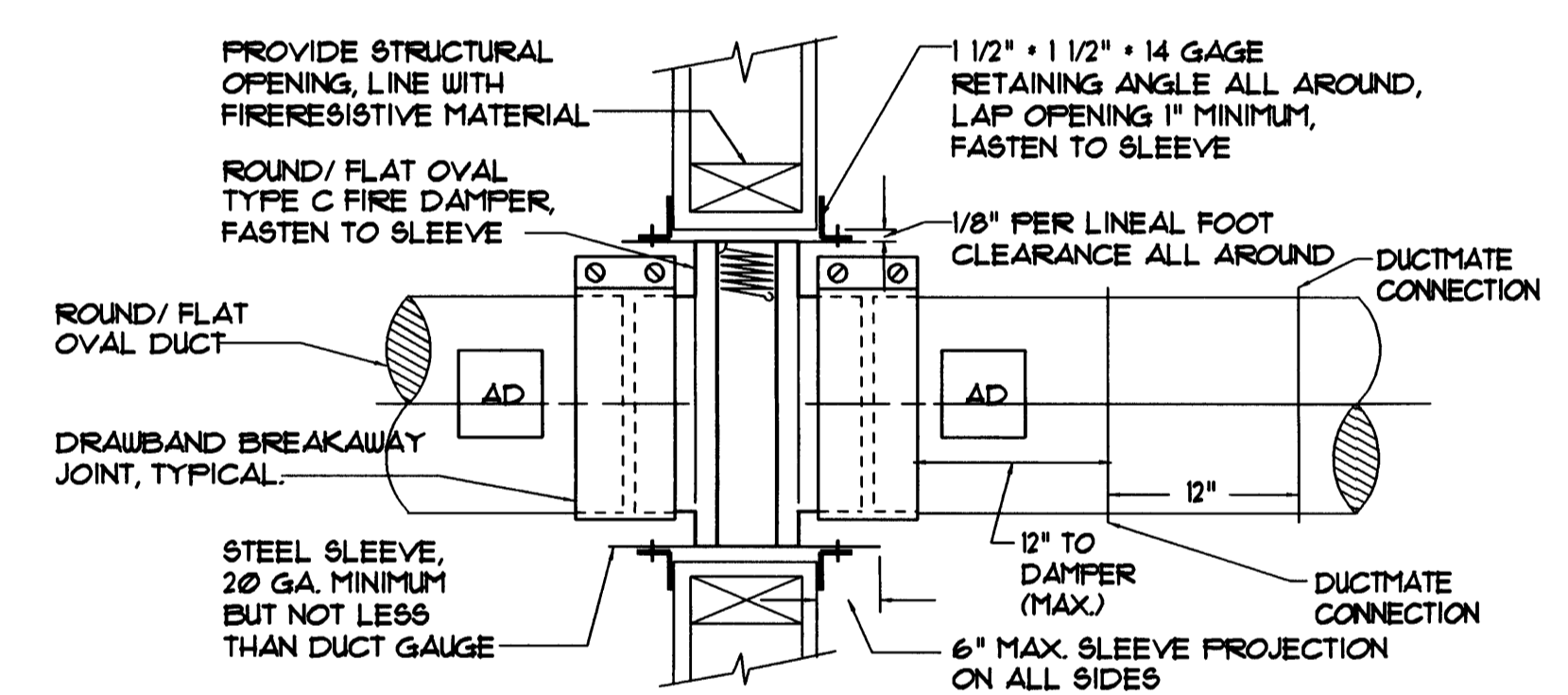


ECCENTRIC TRANSITION
NTS

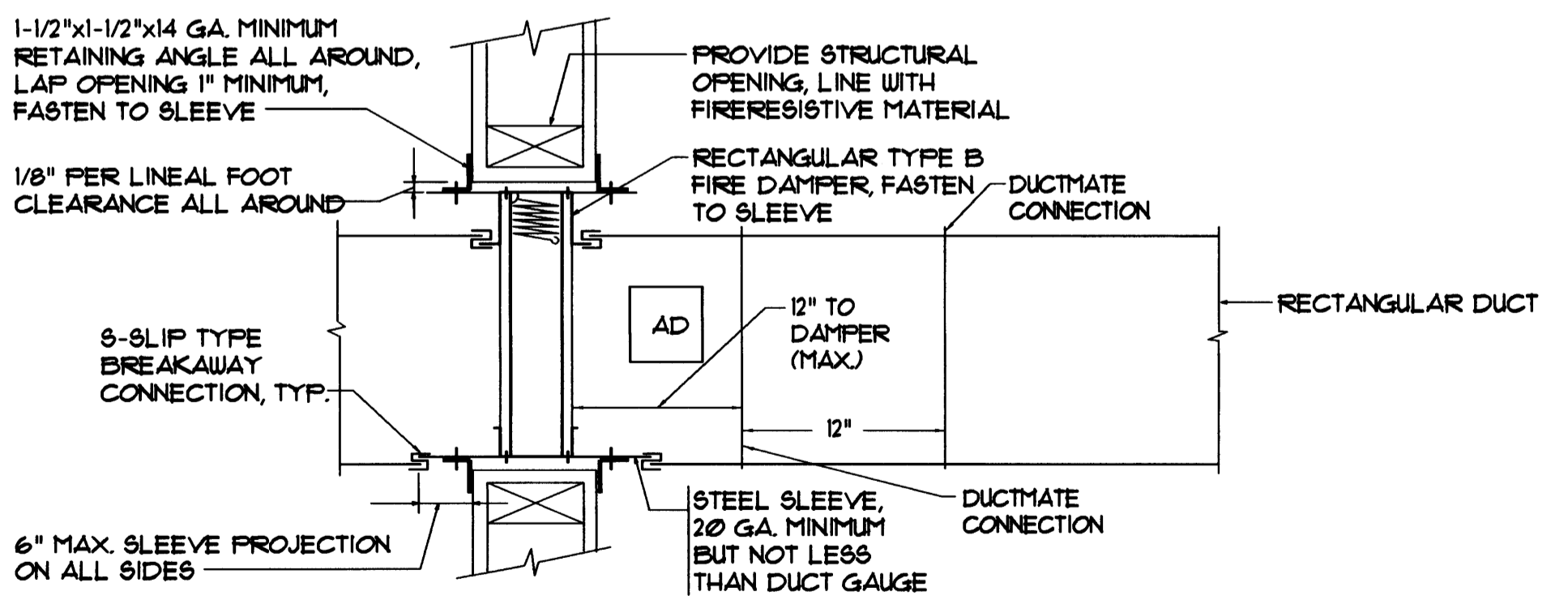
LOW PRESSURE DUCT CONSTRUCTION DETAILS - TYPICAL
NTS



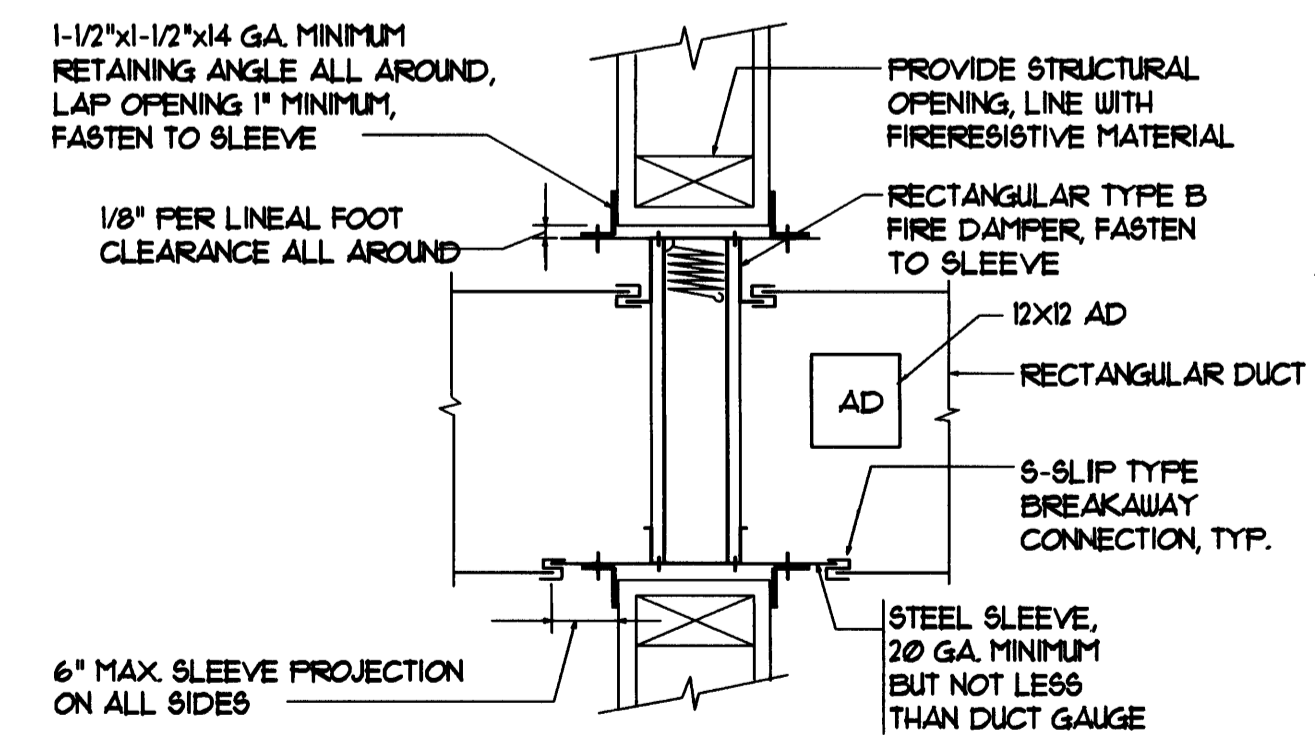
ROUND/FLAT OVAL FIRE DAMPER INSTALLATION DETAIL
NTS



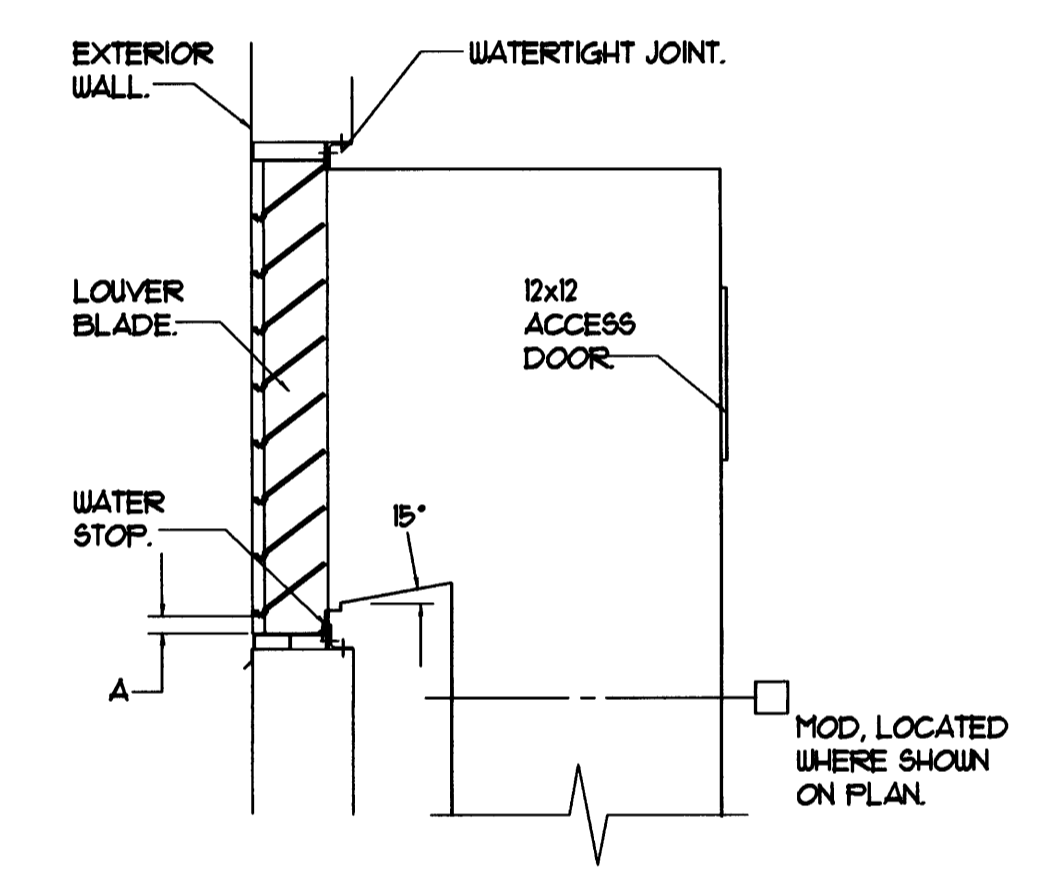
ROUND/FLAT OVAL FIRE DAMPER INSTALLATION DETAIL WHERE A 12x12 ACCESS DOOR IS NOT POSSIBLE
NTS



RECTANGULAR FIRE DAMPER INSTALLATION DETAIL WHERE 12x12 ACCESS DOOR IS NOT POSSIBLE
NTS

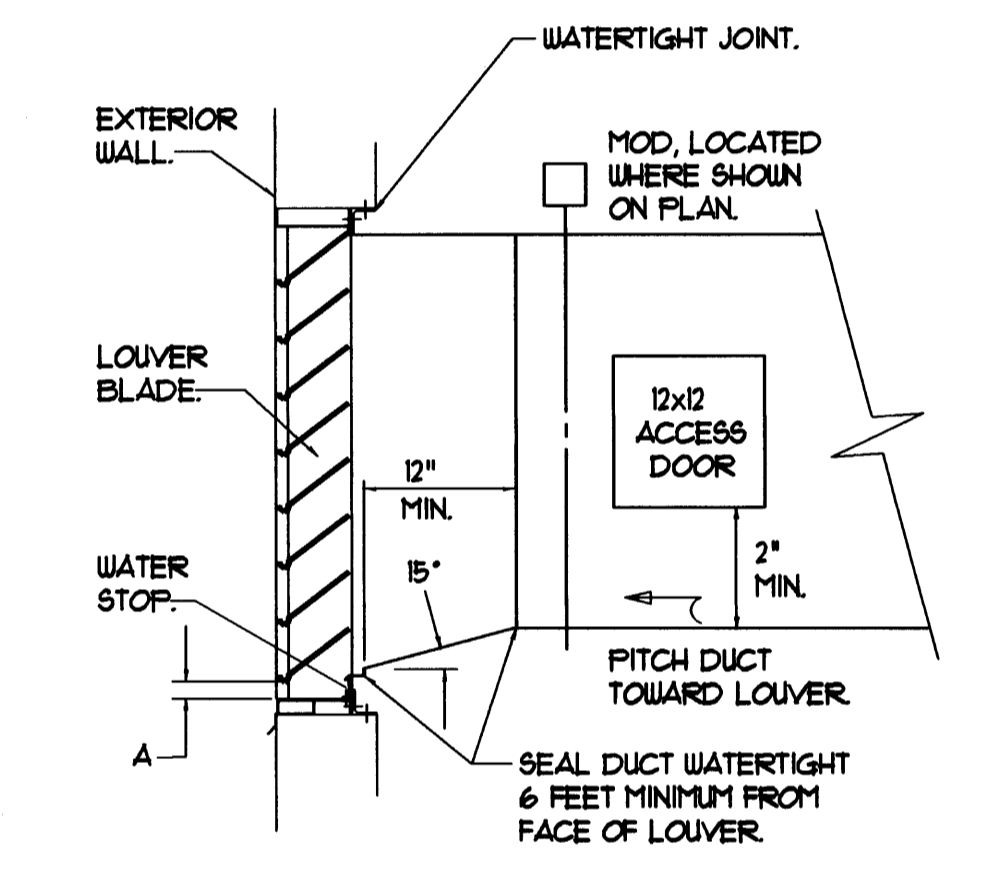


RECTANGULAR FIRE DAMPER INSTALLATION DETAIL
NTS



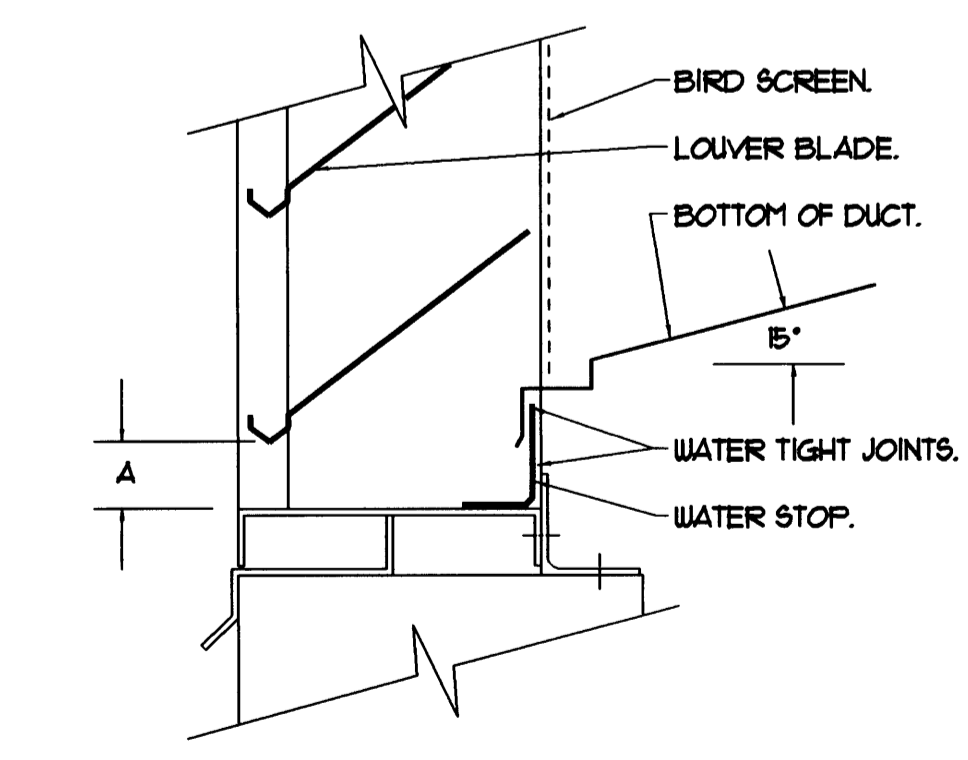
LOUVER DETAIL WITH DUCT FROM BELOW
NTS

NOTE: IF DIMENSION "A" IS LESS THAN 1 INCH SEE MODIFIED LOUVER DETAIL THIS SHEET.



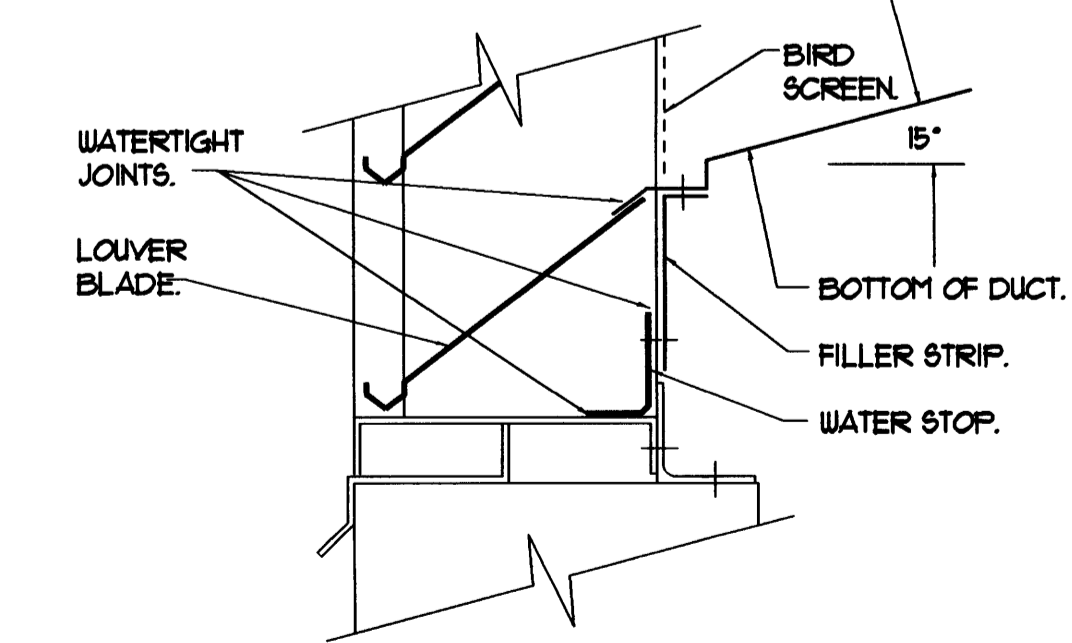
LOUVER DETAIL WITH HORIZONTAL DUCT
NTS

NOTE: IF DIMENSION "A" IS LESS THAN 1 INCH SEE MODIFIED LOUVER DETAIL THIS SHEET.



LOUVER CONNECTION DETAIL
NTS

NOTE: TYPICAL FOR LOUVERS AND BLOCK VENTS. IF DIMENSION "A" IS LESS THAN 1 INCH SEE MODIFIED LOUVER DETAIL AT RIGHT (LOUVERS ONLY).



MODIFIED LOUVER DETAIL
NTS

REVISIONS		
#	DATE	DESCRIPTION
1	4.03.07	CONTRACT ZONE SUBMISSION
2	5.01.07	CONTRACT ZONE SUBMISSION
3	7.10.07	CONTRACT ZONE SUBMISSION
4	9.04.07	SITE PLAN AND SUBDIVISION REVIEW
5	10.02.07	FINAL SITE PLAN REVIEW
6	11.15.07	50% REVIEW SET
7	12.04.07	50% MAINE HOUSING REVIEW SET
8	05.02.08	80% MAINE HOUSING REVIEW SET
9	07.31.08	100% MAINE HOUSING REVIEW SET
10	09.02.08	100% BID DOCUMENTS

DATE:	09/02/08
PROJECT #:	100405
DRAWN BY:	JMV
CHECKED BY:	SPD/el
DRAWING SCALE:	AS NOTED

SHEET TITLE
MECHANICAL DETAILS

M304