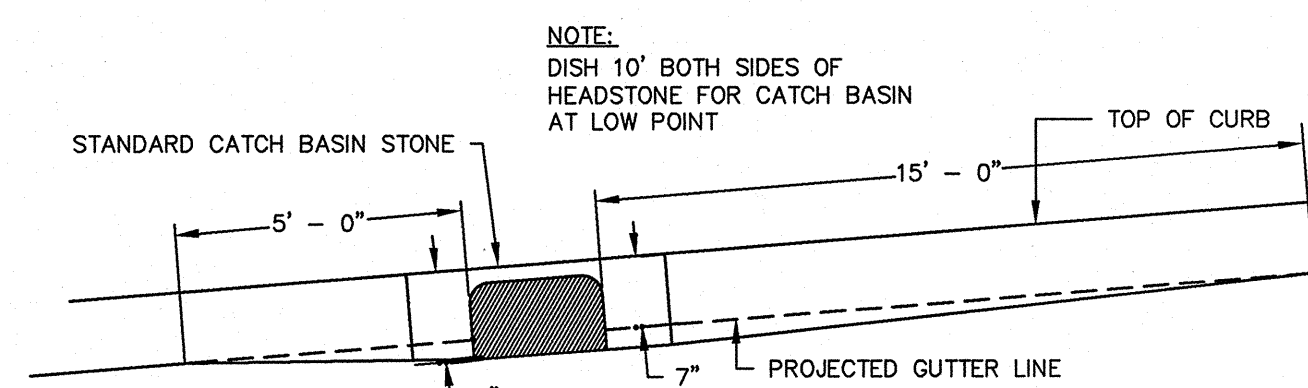


DESIGN NOTES:

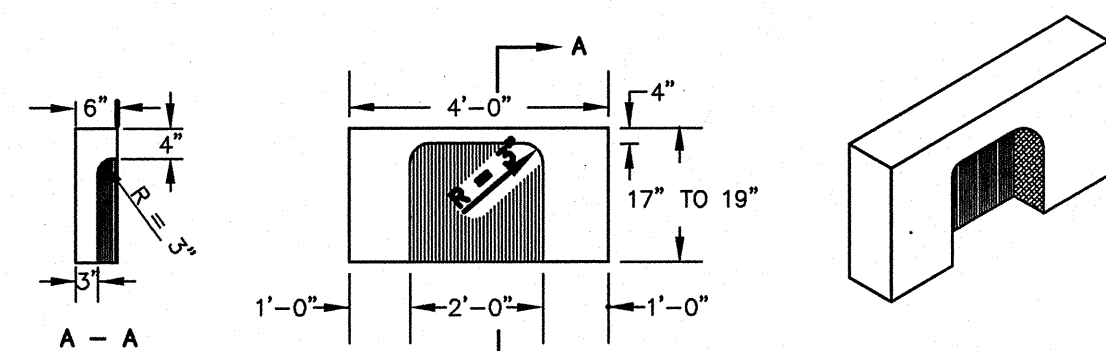
1. ALL CONCRETE TO HAVE A MIN. OF 4,000 PSI COMPRESSIVE STRENGTH AT 28 DAYS.
2. DESIGN LOAD FOR H-20 WHEEL LOAD.
3. CATCH BASIN TO CONFORM TO ASTM-C478 SPECIFICATIONS.
4. REINFORCE TO 0.12 IN SQ./LF.

NOTE:
1. INLET HOODS SHALL BE PROVIDED ON CATCH BASIN OUTLET PIPES LESS THAN 18"

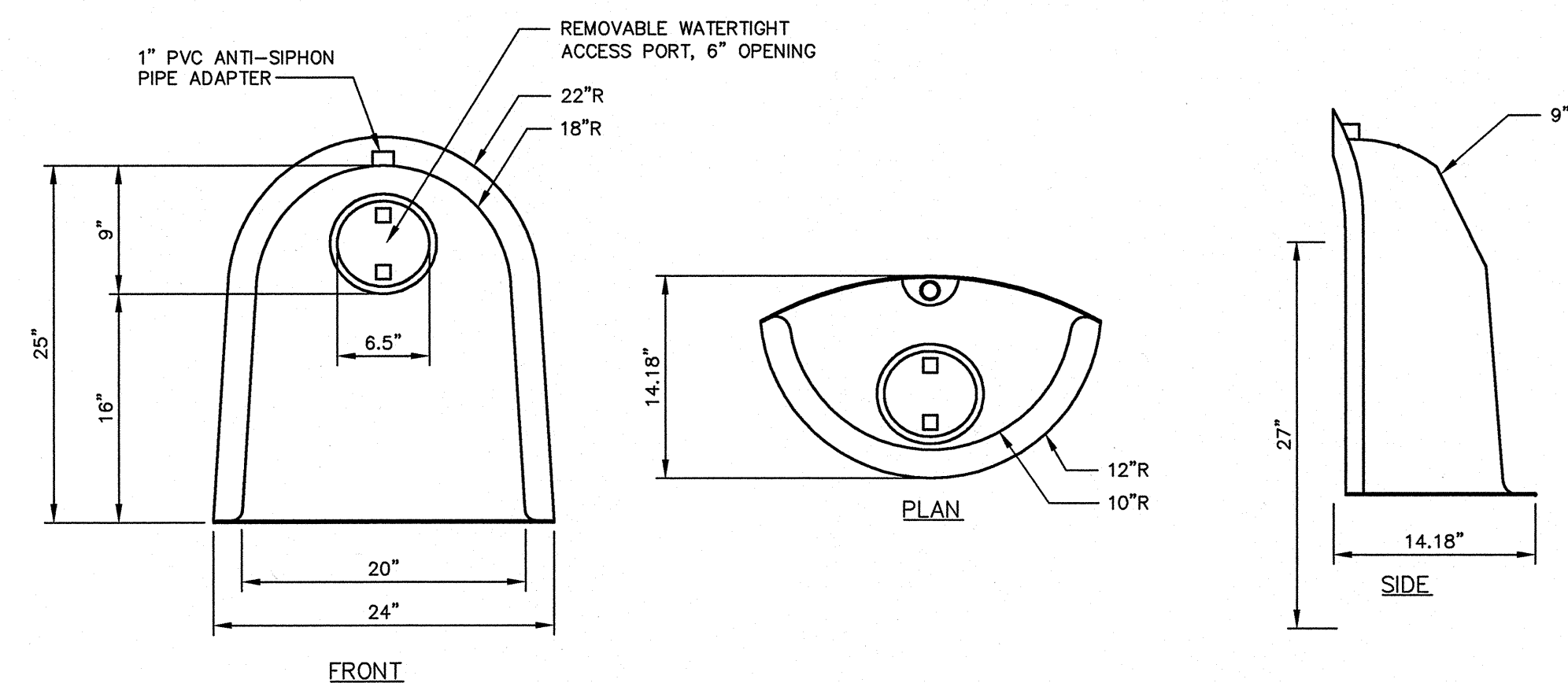
PRECAST CATCH BASIN
N.T.S.



TYPICAL PAVEMENT GRADING ON SLOPES FOR CATCH BASIN AND INLET

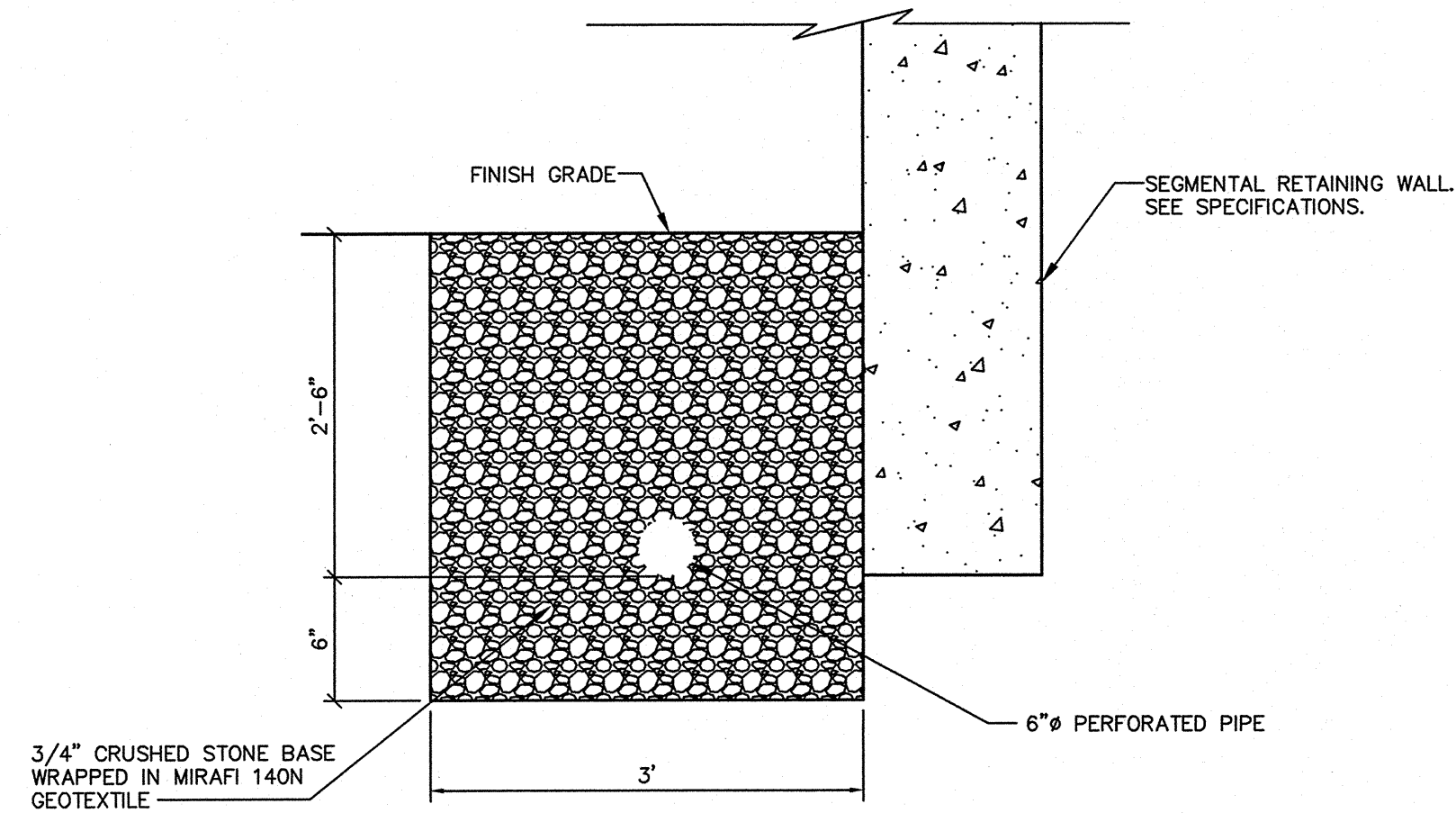


CATCH BASIN INLET STONE
N.T.S.

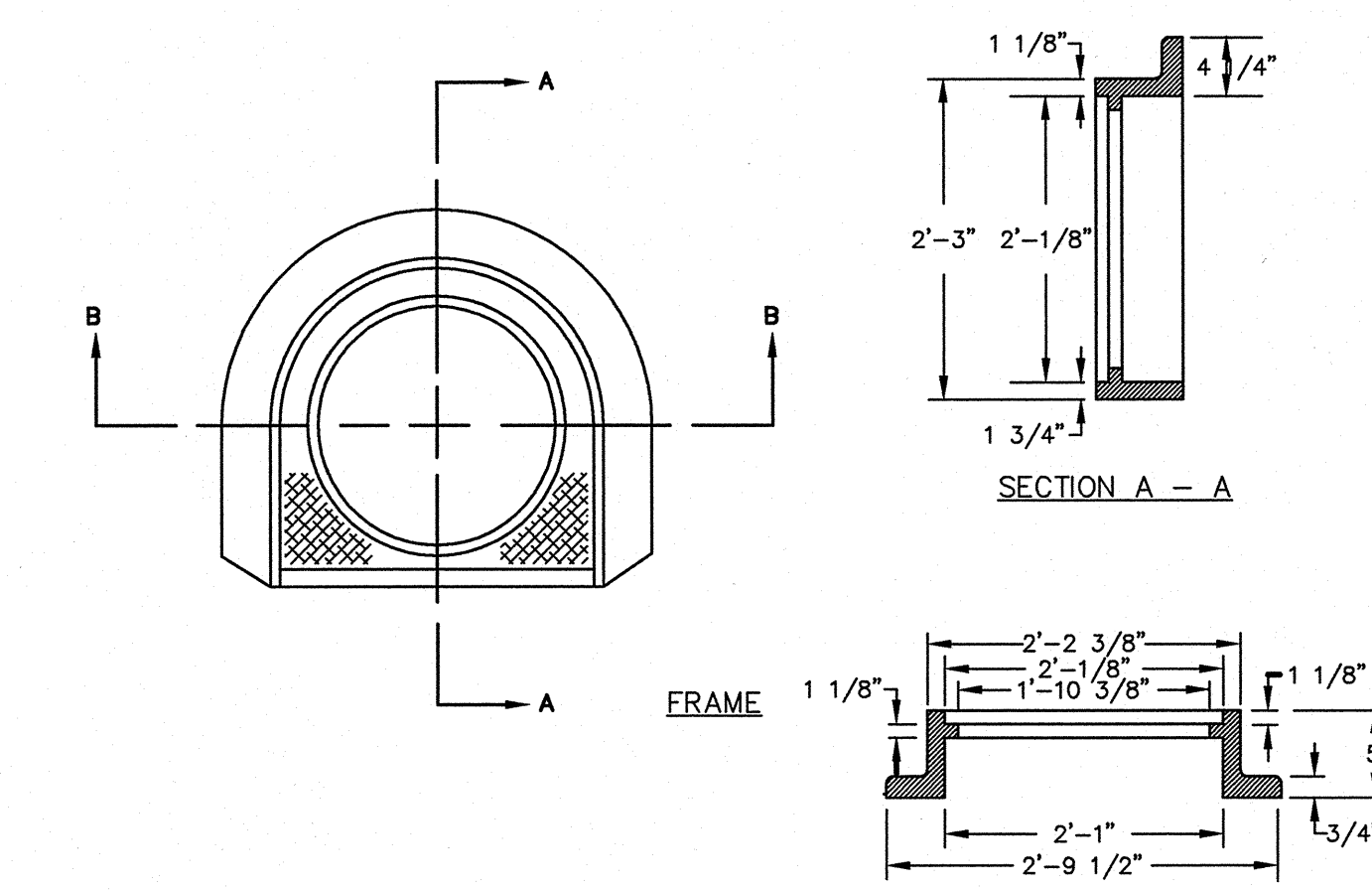
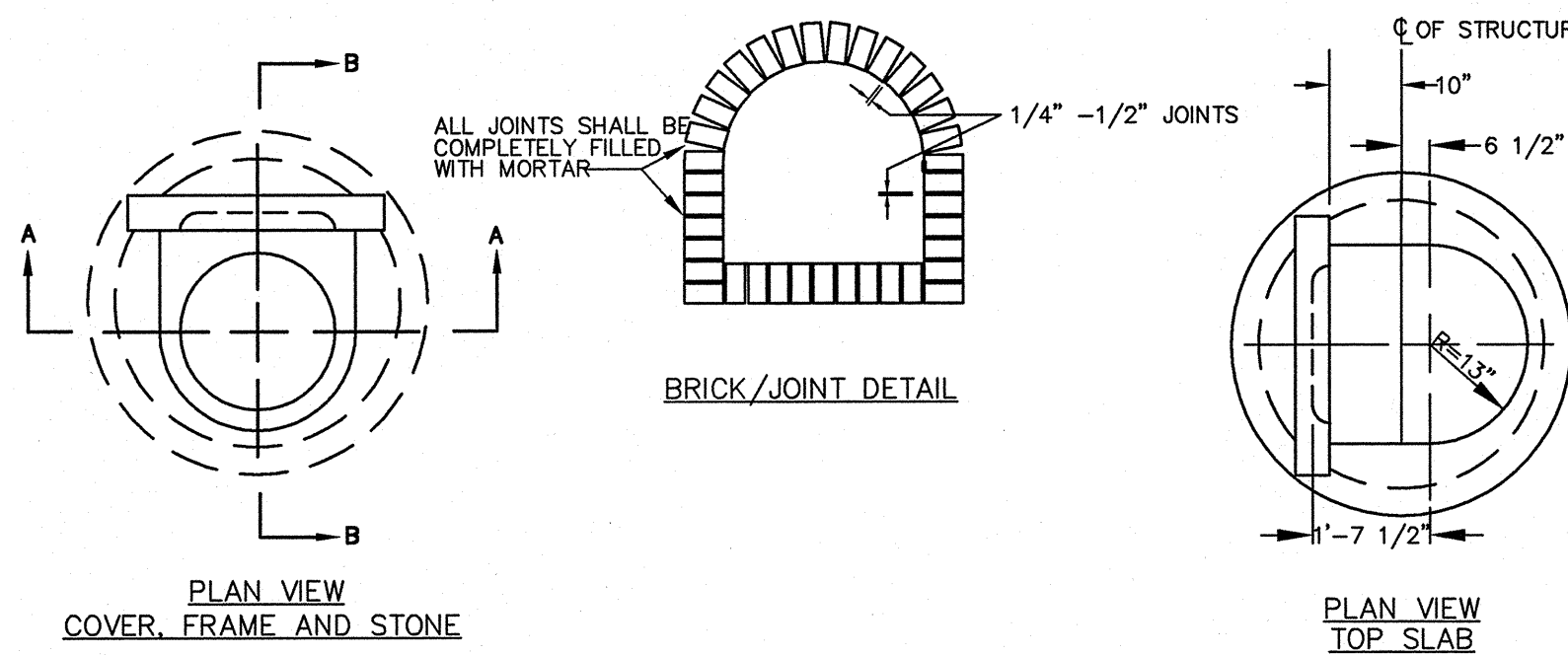
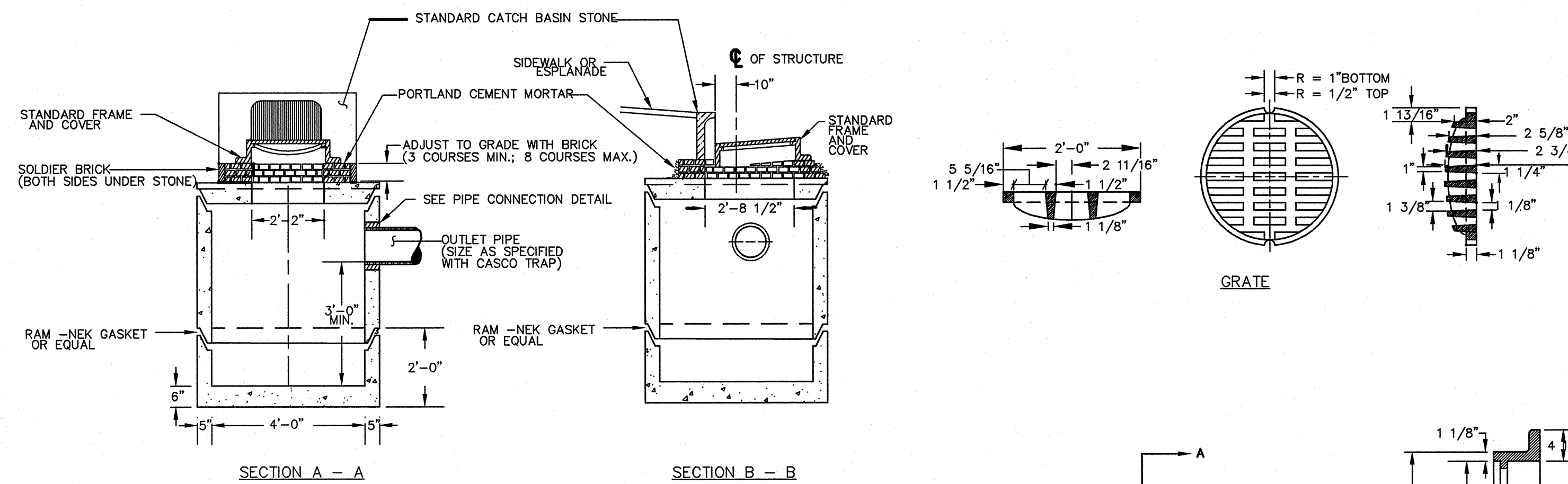


- NOTES:
1. FOR USE ON CATCH BASIN OUTLET PIPES LESS THAN 18" IN DIAMETER, BUT SHALL NOT BE INSTALLED OVER PIPES CONNECTING TO SUBSURFACE DETENTION SYSTEM.
 2. USE SNOOT MODEL #18R ON 12" & 15" PIPES TO PROVIDE UNRESTRICTED FLOW CAPACITY. INSTALL PER MANUFACTURER'S RECOMMENDATIONS.

THE SNOOT
N.T.S.



STONE DRIP STRIP
N.T.S.



- GENERAL NOTES**
1. ALL CONCRETE SHALL BE A CLASS "A" AND HAVE A MINIMUM ULTIMATE STRENGTH OF 4000 LBS. PER SQ. INCH AT THE END OF 28 DAYS, UNLESS OTHERWISE NOTED.
 2. PRECAST REINFORCED CONE BARREL MANUFACTURE PER ASTM SPEC. C-478-67
 3. SEWER BRICK TO CONFORM TO ASTM SPEC. DESIGNATE ON C-32-63, GRADE MA AND SA.
 4. ALL MANHOLES SHALL HAVE A BITUMINOUS WATERPROOFING APPLIED TO THE EXTERIOR SURFACE. IF CONSTRUCTION OF BRICK MASONRY, THE SMOOTH MORTAR SURFACE SHALL BE PLASTERED WITH A SMOOTH MORTAR FINISH 3/8" THICK. AFTER THE MORTAR HAS SET, THE SURFACE SHALL BE WATERPROOFED AS REQUIRED BY SUPPLEMENTAL SPECIFICATIONS SECTION 604.
 5. CASTINGS SHALL CONFORM TO ASTM DESIGNATION A48-CLASS 35. ALL PARTS OF CASTINGS, EXCEPT FINISHED SURFACE, SHALL RECEIVE A COAT OF COAL TAR PITCH VARNISH OR ASPHALTUM PAINT WHICH SHALL BE SMOOTH AND TOUGH BUT NOT BRITTLE.
 6. MANHOLES MAY BE CONSTRUCTED OF MASONRY, PRECAST REINFORCED CONCRETE, OR CAST IN PLACE.
 7. ALL PRECAST MANHOLES AND CATCH BASINS SHALL BE IDENTIFIED BY STATION AND OFFSET PAINTED ON THE SIDE OF THE STRUCTURE BY THE MANUFACTURER.
 8. STORM AND SEWER MANHOLES SHALL HAVE SOLID COVERS WITH ONE DRILLED HOLE.
 9. EXISTING MANHOLE AND CATCH BASIN FRAMES AND COVERS SHALL BE SALVAGED BY THE CONTRACTOR, AND REMAIN THE PROPERTY OF THE CITY OF PORTLAND.
 10. CASCO TRAPS SHALL BE PROVIDED WITHIN ALL CATCH BASINS WITH 12" OUTLETS.

Mitchell & Associates
LANDSCAPE ARCHITECTS

The Staples School
70 Center Street
Portland, Maine 04101

Tel: (207) 774-4427
Fax: (207) 874-2460
www.mitchellassociates.biz

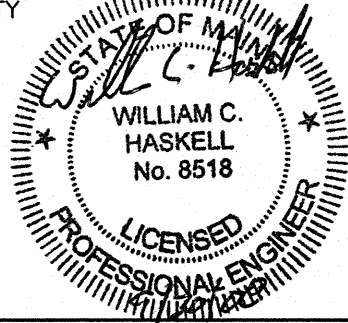
GP Gorrill-Palmer
Consulting Engineers, Inc.

Traffic and Civil
Engineering Services

P.O. Box 1237
15 Shaker Road
Cray, ME 04039

E-Mail: mailboz@gorrillpalmer.com

Tel: 207-657-6910
Fax: 207-657-6912



REVISIONS

#	DATE	DESCRIPTION
1	12.7.07	MAIN HOUSING 50% REVIEW SET
2	5.2.08	90% MAIN HOUSING REVIEW SET
3	7.31.08	100% MAIN HOUSING REVIEW SET
4	9.2.08	100% BID DOCUMENTS

DATE:	12.7.07
PROJECT #	100405
DRAWN BY:	CAP
CHECKED BY:	WH
DRAWING SCALE	N.T.S.

SHEET TITLE
UTILITY AND DRAINAGE DETAILS

C 305

© COPYRIGHT 1985-2008
REPRODUCTION OR USE OF THIS DOCUMENT WITHOUT WRITTEN PERMISSION OF GAWRON TURGEON ARCHITECTS IS PROHIBITED.

Gawron Turgeon ARCHITECTS

29 Black Point Road
Scarborough, Maine 04074
www.gawronturgeon.com
207-883-6307 or 207-883-0961 fax

AVESTA HOUSING

FLORENCE HOUSE
190 VALLEY STREET
PORTLAND, MAINE

Preble Street