

City of Portland, Maine - Building or Use Permit Application

389 Congress Street, 04101 Tel: (207) 874-8703, Fax: (207) 874-8716

Permit No: 05-0038	Issue Date: PERMIT ISSUED	GBL: 064 D014001
-----------------------	-------------------------------------	---------------------

Location of Construction: 240 Valley St	Owner Name: Spring Stephen D	Owner Address: 240 Valley St	Phone: JAN 18 2005
Business Name:	Contractor Name: Frost N Flame	Contractor Address: 629 Main St Portland	Phone:
Lessee/Buyer's Name	Phone:	Permit Type: HVAC	Zone: CITY OF PORTLAND

Past Use: Single Family Home	Proposed Use: Single Family Home / Lopi Pioneer Pellet stove on 1st flr	Permit Fee: \$75.00	Cost of Work: \$5,469.20	CEO District: 2
FIRE DEPT: <input type="checkbox"/> Approved <input checked="" type="checkbox"/> Denied INSPECTION: Use Group: U Type: Heating Signature: [Signature] Signature: [Signature]				

Proposed Project Description:
Lopi Pioneer Pellet stove on 1st flr

PEDESTRIAN ACTIVITIES DISTRICT (P.A.D.)
 Action: Approved Approved w/Conditions Denied
 Signature: _____ Date: _____

Permit Taken By: Idobson	Date Applied For: 01/10/2005	Zoning Approval
-----------------------------	---------------------------------	------------------------

1. This permit application does not preclude the Applicant(s) from meeting applicable State and Federal Rules. 2. Building permits do not include plumbing, septic or electrical work. 3. Building permits are void if work is not started within six (6) months of the date of issuance. False information may invalidate a building permit and stop all work..	Special Zone or Reviews <input type="checkbox"/> Shoreland <input type="checkbox"/> Wetland <input type="checkbox"/> Flood Zone <input type="checkbox"/> Subdivision <input type="checkbox"/> Site Plan Maj <input type="checkbox"/> Minor <input type="checkbox"/> MM <input type="checkbox"/> Date: _____	Zoning Appeal <input type="checkbox"/> Variance <input type="checkbox"/> Miscellaneous <input type="checkbox"/> Conditional Use <input type="checkbox"/> Interpretation <input type="checkbox"/> Approved <input type="checkbox"/> Denied Date: _____	Historic Preservation <input type="checkbox"/> Not in District or Landmark <input type="checkbox"/> Does Not Require Review <input type="checkbox"/> Requires Review <input type="checkbox"/> Approved <input type="checkbox"/> Approved w/Conditions <input type="checkbox"/> Denied Date: _____
--	--	--	--

CERTIFICATION

I hereby certify that I am the owner of record of the named property, or that the proposed work is authorized by the owner of record and that I have been authorized by the owner to make this application as his authorized agent and I agree to conform to all applicable laws of this jurisdiction. In addition, if a permit for work described in the application is issued, I certify that the code official's authorized representative shall have the authority to enter all areas covered by such permit at any reasonable hour to enforce the provision of the code(s) applicable to such permit.

SIGNATURE OF APPLICANT	ADDRESS	DATE	PHONE
RESPONSIBLE PERSON IN CHARGE OF WORK, TITLE		DATE	PHONE

City of Portland, Maine - Building or Use Permit

389 Congress Street, 04101 Tel: (207) 874-8703, Fax: (207) 874-8716

Permit No: 05-0038	Date Applied For: 01/10/2005	CBL: 064 D014001
------------------------------	--	----------------------------

Location of Construction: 240 Valley St	Owner Name: Spring Stephen D	Owner Address: 240 Valley St	Phone:
Business Name:	Contractor Name: Frost N Flame	Contractor Address: 629 Main St. Portland	Phone:
Lessee/Buyer's Name	Phone:	Permit Type: HVAC	

Proposed Use: Single Family Home / Lopi Pioneer Pellet stove on 1st flr	Proposed Project Description: Lopi Pioneer Pellet stove on 1st flr
---	--

Dept: Zoning **Status:** Approved **Reviewer:** Tammy Munson **Approval Date:** 01/14/2005
Note: **Ok to Issue:**

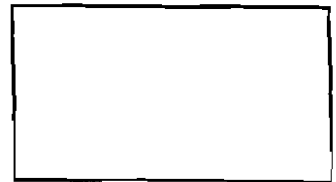
Dept: Building **Status:** Approved with Conditions **Reviewer:** Tammy Munson **Approval Date:** 01/14/2005
Note: **Ok to Issue:**

1) The installation must comply with the State of Maine Gas Regulations.



FILL IN AND SIGN WITH INK

APPLICATION FOR PERMIT HEATING OR POWER EQUIPMENT



64D44-

To the INSPECTOR OF BUILDINGS, PORTLAND, ME.

The undersigned hereby applies for a permit to install the following heating, cooking or power equipment in accordance with the Laws of Maine, the Building Code of the City of Portland, and the following specifications:

Location / CBL 240 Valley St Use of Building Residential Date 1/5/05
 Name and address of owner of appliance 240 Valley St. Portland Me 04102
 Installer's name and address Stephen Spring Dennis Knudsen Frost + Plume Gorham Me
 Telephone 956-7000

Location of appliance:

Basement

Floor pellet

Attic

Roof

2nd Floor Gas

Type of Fuel:

Gas

Oil

Solid pellet

Appliance Name: Natural Lopi Pioneer Pellet

U.L. Approved Yes No

Lopi Sturbridge Gas Stove

Will appliance be installed in accordance with the manufacture's installation instructions? Yes No

IF NO Explain:

The Type of License of Installer:

Master Plumber # _____

Solid Fuel # _____

Oil # _____

Gas # PNT1606

Other _____

Type of Chimney:

Masonry Lined pellet stove pellet pipe

Factory built _____

Metal

Factory Built U.L. Listing # _____

Direct Vent Gas Stove unit

Type Simpson

UL# 3N98

Type of Fuel Tank

Oil

Gas Natural Gas

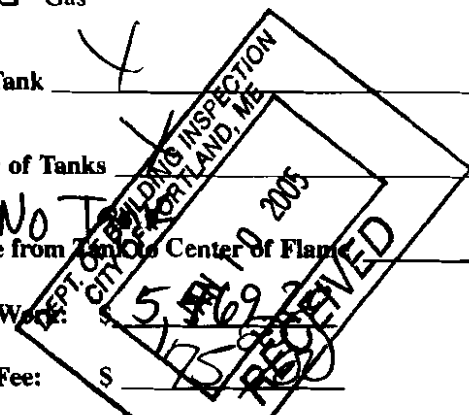
Size of Tank X

Number of Tanks 1

Distance from _____ feet.

Cost of Work: NO T

Permit Fee: \$ 175



Approved

Approved with Conditions

Fire: _____

Ele.: _____

Bldg.: _____

See attached letter or requirement

Inspector's Signature _____

Date Approved _____

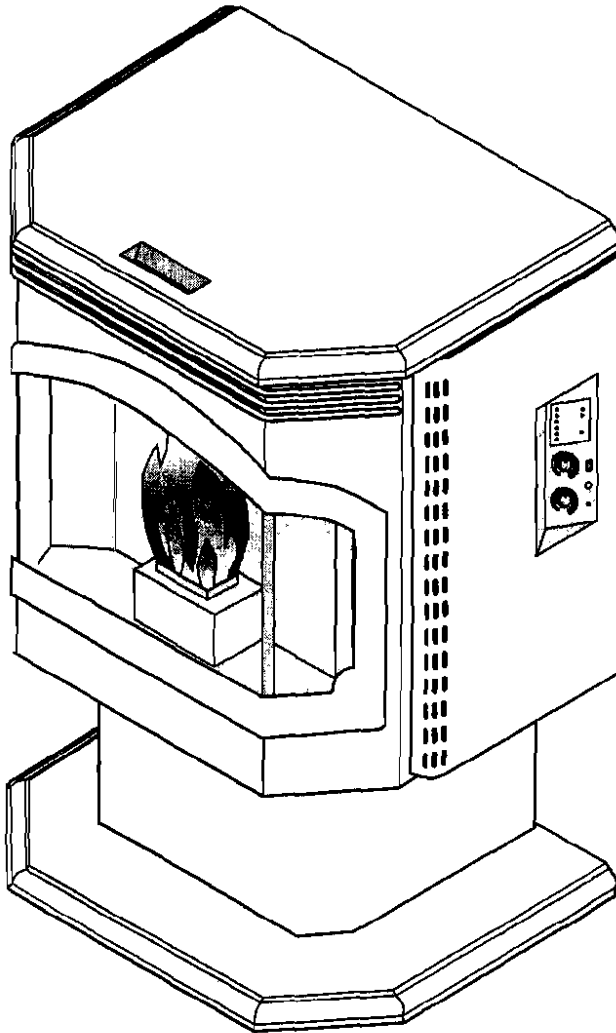
Signature of Installer M. C. [Signature]

White - Inspection

Yellow - File

Pink - Applicant's

Gold - Assessor's Copy




Pioneer (Heritage Bay PS) Pellet Stove

- *Horizontal Or Vertical Vent*
- *Freestanding Stove*
- *Mobile Home Approved*
- *Class A Chimney Retrofit*
- **Please read this entire manual before installation and use of this pellet fuel-burning room heater. Failure to follow these instructions could result in property damage bodily injury or even death.**
- **Contact local building or fire officials about restrictions and installation inspection requirements in your area.**
- **Save these instructions**

- May, 2001 -

 **Travis Industries, Inc.**
10850 117th Place N.E. Kirkland, WA 98033
Part # 93508050 - \$10.00

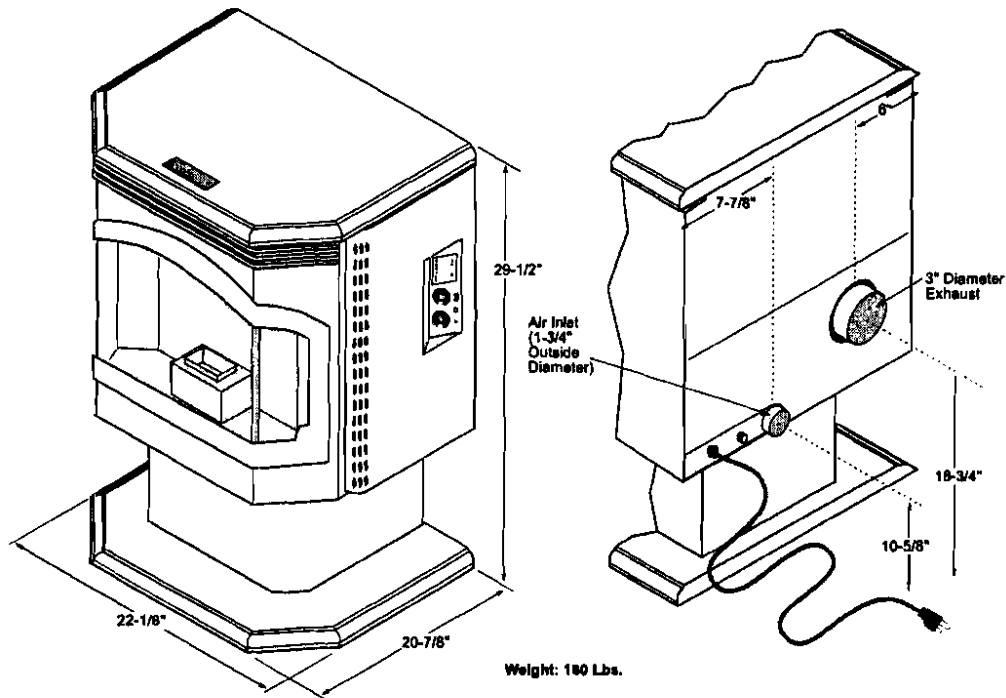
 **Listed**
Tested to U.L. 1482 (1994), ASTM E1509 (1995),
ULCS627-03, CSA B366.2, and Oregon
Administration Rules 814-23-900-909 (Mob. Home)

Heating Specifications:

Approximate Maximum Heating Capacity (in square feet)*	800 to 1,600 Sq. Feet
Burn Rate (Pounds per Hour)**	1.0 to 3.5
Maximum Burn Time on Low Burn**	15 - 50 Hours
Hopper Capacity	55 Pounds

- * Heating capacity will vary depending on the home's floor plan, degree of insulation, and the outside temperature. It is also affected by the fuel size, quality, and moisture level.
- ** Small pellets will increase or decrease the stated burn rates and burn times. Differences of plus or minus 20% depending on fuel quality may occur.

Dimensions:



Electrical Specifications:

Electrical Rating	115 Volts, 3.6 Amps, 60 Hz
Watts During Start-Up Sequence	400 (approximately)
Watts During Operation	180 (approximately)

Fuel:

The unit is designed for wood pellets that comply with the standards set by the Association of Pellet Fuel Industry (density of at least 40 lbs. per cubic foot, 1/4" to 5/16" diameter, length no greater than 1-1/2", 8200 BTU's/lb., moisture under 8% by weight, ash under 1% by weight, and salt under 300 parts per million). If the fuel does not comply to this standard, the unit may not operate as designed.

EPA Compliance:

This heater is EPA exempt from Phase II requirements, but has been tested for emissions using EPA test methods by OMNI Test Labs.

Before You Begin

READ THIS ENTIRE MANUAL BEFORE YOU INSTALL AND USE THIS HEATER. FAILURE TO FOLLOW THE INSTRUCTIONS MAY RESULT IN PROPERTY DAMAGE, BODILY INJURY, OR EVEN DEATH.

Check with local building officials for any permits required for installation of this pellet heater and notify your insurance company before proceeding with installation.

Packing List

- Pioneer (Heritage Bay PS)
- Owner's Manual
- Door Latch Tool
- Fuses (2)
- Lag Bolts (2)

Installation Options:

- Residential or Mobile Home (see the section "Mobile Home Requirements")
- Alcove Compatible (see the section "Alcove Installation")
- Horizontal or Vertical Vent
- Outside Air Compatible
- Vent with L-Vent, L-Vent Fireplace Liner, or Type A Chimney (with adapter)

Planning The Installation

- HINT:** Have an authorized Travis Industries dealer install this heater. If you install the heater yourself, have your dealer review your installation plans.
- HINT:** Sketch out a detailed plan of the installation including dimensions. Then verify the dimensions with the requirements listed in this manual.
- HINT:** When determining the location of the stove, locate the wall studs (for horizontal penetrations) and ceiling trusses (for vertical penetrations). You may wish to adjust the stove position slightly to ensure the vent does not intersect with a framing member.
- HINT:** Place the heater outside and load 10 pounds of pellets inside the hopper. Plug the heater in and let it run on HIGH until the pellets run out. This will cure the paint and burn off any oil on the steel, eliminating any smell inside the home.

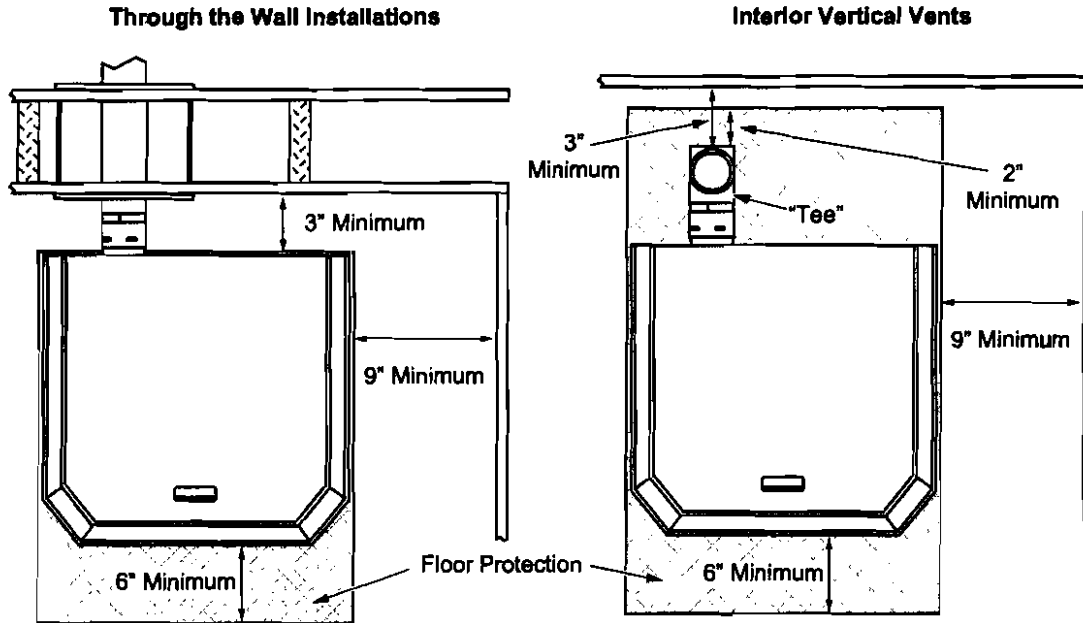
Stove Placement

- Stove must be placed so that no combustibles are within, or can swing within (e.g. drapes, doors), 36" of the front of the heater.
- ? If the stove is placed in a location where the ceiling height is less than 7', it must follow the requirements in the section "Alcove Installation Requirements".
- HINT:** REDUCING CLEARANCES - Clearances may be reduced by methods specified in NFPA 211, listed wall shields, pipe shields, or other means approved by local building or fire officials.
- Heater and floor protection must be installed on a level, secure floor.

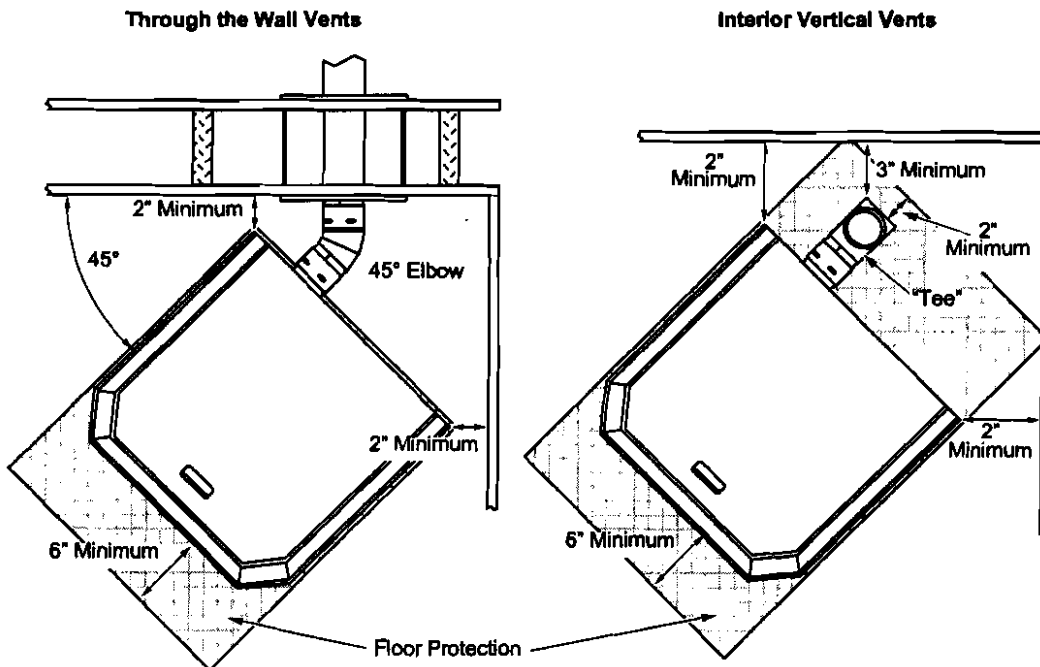
Floor Protection Requirements

- The heater must be installed on a non-combustible floor protector extending the full width and depth of the heater and extending 6" in front (Minimum 21-5/8" wide by 26-7/8" deep) (minimum .018" thick - 26 gauge).
- Must extend under and 2" to each side and rear of a chimney "Tee" (if used).

Clearances - Straight Installation



Clearances - Corner Installation



Note: If interior vertical pellet vent is used, the clearance to the backwall is determined by the upward-turning elbow or "Tee". It will vary in depth depending on the brand of pellet vent used (it is approximately 5"). Before placing the heater, connect the elbow or "Tee" and measure off the 3" clearance.

Venting the Pellet Stove

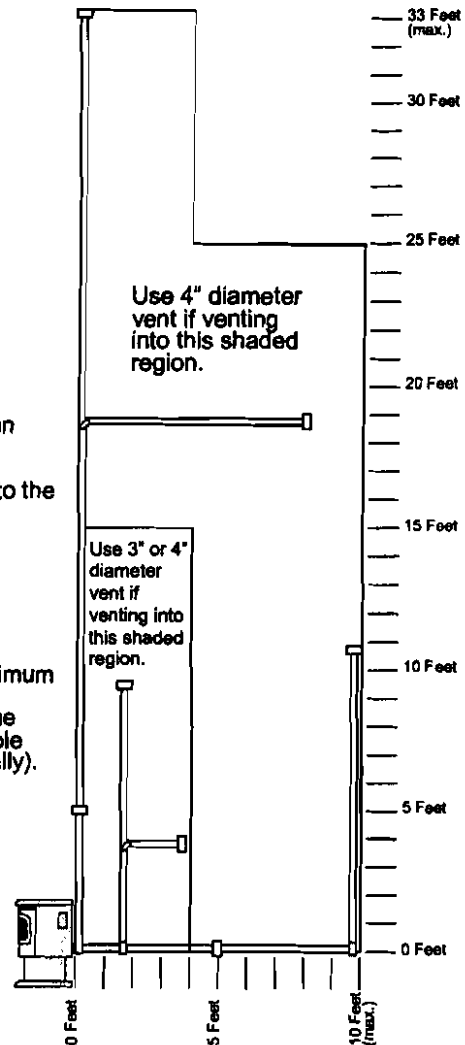
- PELLET VENT MUST MAINTAIN A MINIMUM 3" CLEARANCE TO ANY COMBUSTIBLE (INSTALL VENT AT CLEARANCES SPECIFIED BY THE VENT MANUFACTURER).
- DO NOT CONNECT THE PELLET VENT TO A VENT SERVING ANY OTHER APPLIANCE OR STOVE.
- DO NOT INSTALL A FLUE DAMPER IN THE EXHAUST VENTING SYSTEM OF THIS UNIT.
- USE AN APPROVED WALL THIMBLE WHEN PASSING THE VENT THROUGH WALLS AND A CEILING SUPPORT/FIRE STOP SPACER WHEN PASSING THE VENT THROUGH CEILINGS (MAKE SURE TO MAINTAIN 3" CLEARANCE TO ANY COMBUSTIBLES).
- No more than 180° of elbows (two 90° elbows, or two 45° & one 90° elbow, etc.).

Maximum Venting Distance:

- Vent must have a support bracket every 5' of pellet vent when exterior of structure
- If the heater is installed at an altitude over 4,000' use 4" diameter for all applications

The vent height and run must not exceed the distance shown in the shaded region shown to the right.

NOTE: To achieve optimum performance, we recommend keeping the vent as short as possible (horizontal run especially).



Pellet Vent Type

- Must be Type "L" (except for masonry fireplace installations) - or - connect the vent to a factory built type "A" chimney (use an adapter and seal all joints).

Installing the Pellet Vent



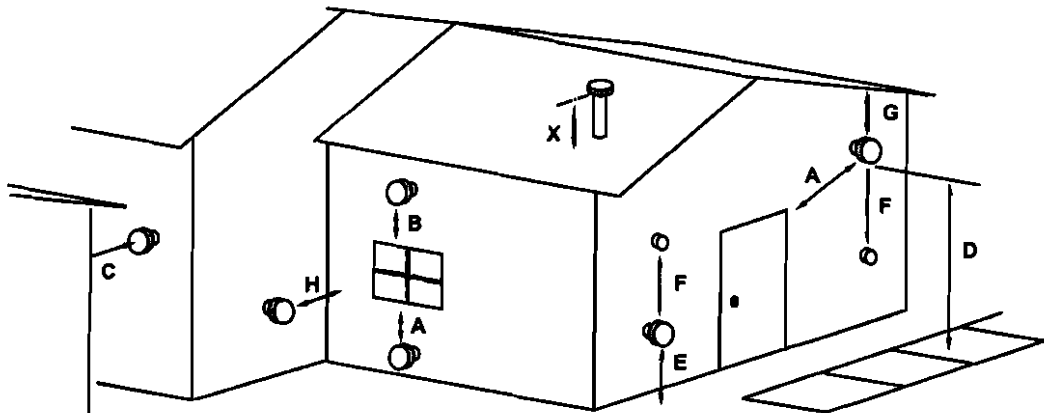
Seal each vent section by injecting a liberal amount of 500° F. RTV silicone into the gap between sections.

- Horizontal sections must have a 1/4" rise every 12" of travel.
- Pellet vent connections must be sealed airtight with 500° F. RTV silicone and screwed together with at least three sheet metal screws.

HINT: The Travis Industries Center Flue Adapter has less depth than a standard "tee" and centers the flue, easing installation.. See the instructions on page 35 in this manual.

Pellet Vent Termination (See the illustration below)

- Must have an approved cap (to prevent water from entering) or a 45° downturn.
- If the termination is located on a windy side of the house, an approved house shield is recommended to prevent soot from building up on the side of the house.
- Must not be located where it will become plugged by snow or other material.
- Horizontal terminations must protrude 12" from the wall, vertical terminations require 24".



NOTE: Measure clearances to the nearest edge of the exhaust hood.

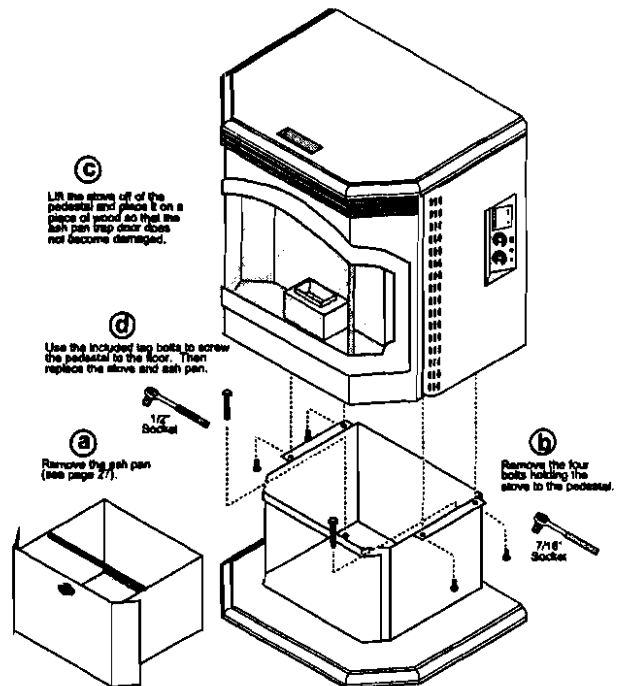
- A Minimum 4' clearance below or beside any door or window that opens
- B Minimum 1' clearance above any door or window that opens
- C Minimum 2' clearance from any adjacent building
- D Minimum 7' clearance above any grade when adjacent to public walkways
NOTE: Vent may not terminate in covered walkway or breezeway.
- E Minimum 2' clearance above any grass, plants, or other combustible materials
- F Minimum 3' clearance from any forced air intake of any other appliance
- G Minimum 2' clearance below eaves or overhangs
- H Minimum 1' clearance horizontally from combustible wall
- X Must be a minimum of 2' above the roof

Mobile Home Requirements

- Outside air is required (used for combustion) - see the directions below.
- The heater must be bolted to the floor (Some states do not require this; check with your local building department). See the illustration to the right.
- The heater must be grounded to the steel chassis of the mobile home (Some states do not require this; check with your local building department).

WARNING: DO NOT INSTALL IN SLEEPING ROOM.

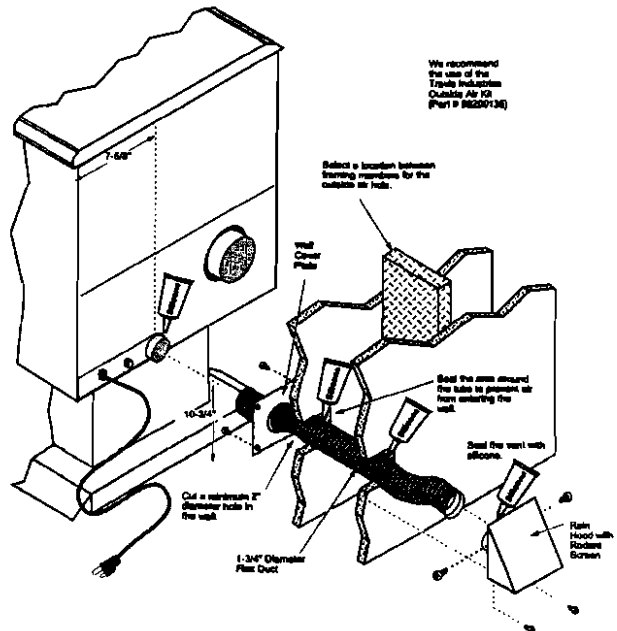
CAUTION: THE STRUCTURAL INTEGRITY OF THE MANUFACTURED HOME FLOOR, WALL, AND CEILING/ROOF MUST BE MAINTAINED.

**Outside Air (used for combustion)**

- Must not be drawn from an enclosed space (garage, unventilated crawl space).
- HINT:** Travis Industries strongly suggests outside air for all residential installations, especially for those that are energy efficient, air tight homes.

WARNING: During a power outage there is a possibility of some smoke entering the room if an outside air connection is not used.

- Must not be over 15' long.
- Must be made with 1 3/4" diameter or larger metal or aluminum duct with a metal screen attached to the end to keep out rodents (P.V.C. or other combustible materials may not be used). Use the Travis Industries Outside Air Kit (part # 99200136).
- Must not terminate above or within 1' of the chimney termination.
- Must have a rain cap or down-turned elbow to prevent water from entering.
- Must be located so that it will not become plugged by snow or other material.



Alcove Installation Requirements

Whenever the pellet stove is placed in a location where the ceiling height is less than 7' tall, it is considered an alcove installation. Because of the reduced height, the installation requirements listed below must be met.

- Minimum height is 60"
- Minimum width is 42"
- Maximum depth is 48"
- Minimum clearance of 9" on each side and 3" on back

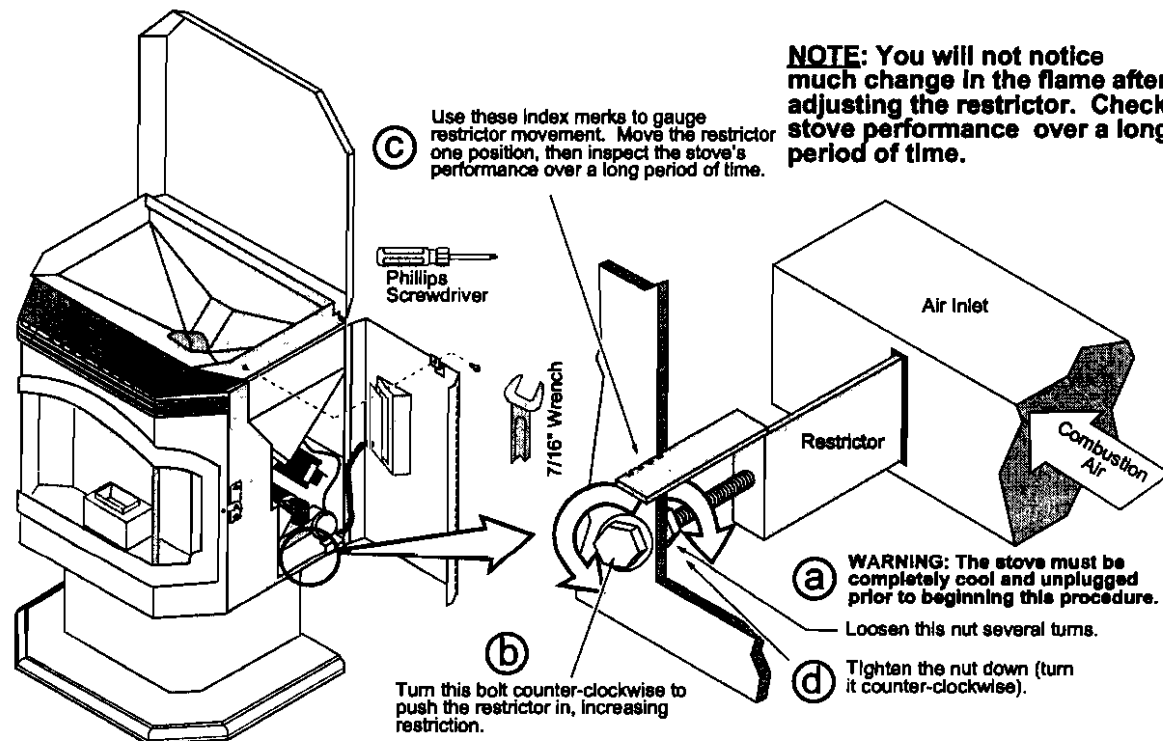
Setting the Restrictor

In extremely rare cases the vent will produce too much draft for the stove. This leads to an inefficient burn, and in some cases, the flame going out. This typically happens in tall vertical installations or very short horizontal installations. The factory setting is wide open.

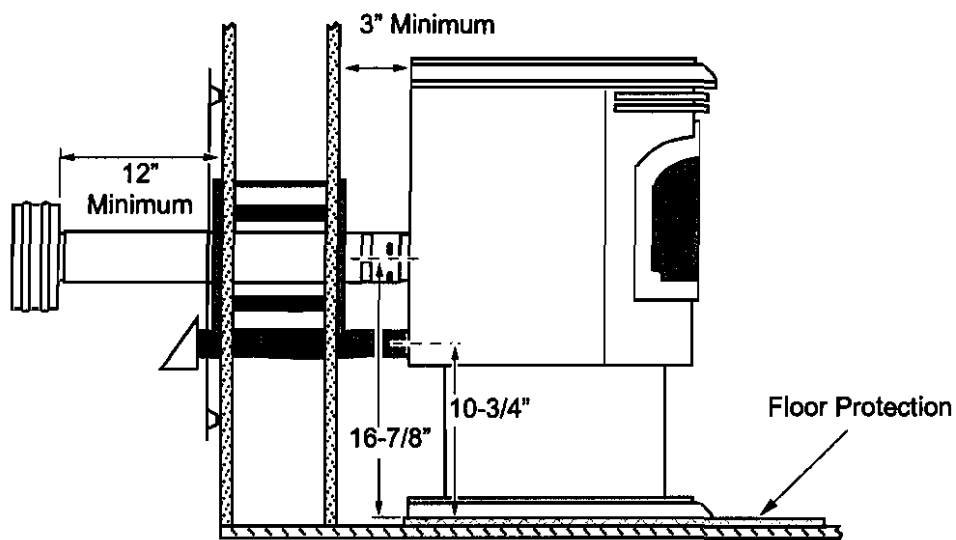
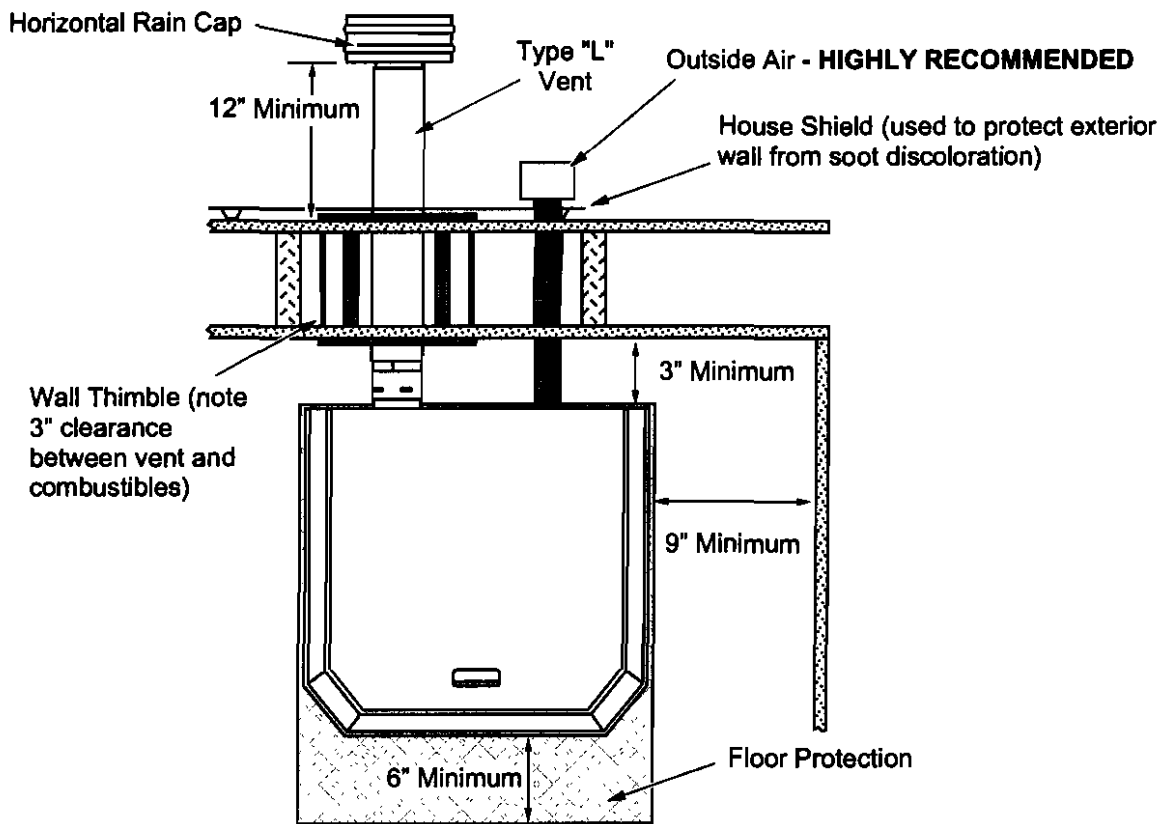
When to Adjust the Restrictor (for qualified installers only):

- If un-burned pellets are expelled from the firepot often (make sure they are un-burned, not just cylindrical embers), the restrictor needs adjustment.
- If on LOW the pellets burn too quickly and the flame goes out, the restrictor needs adjustment.

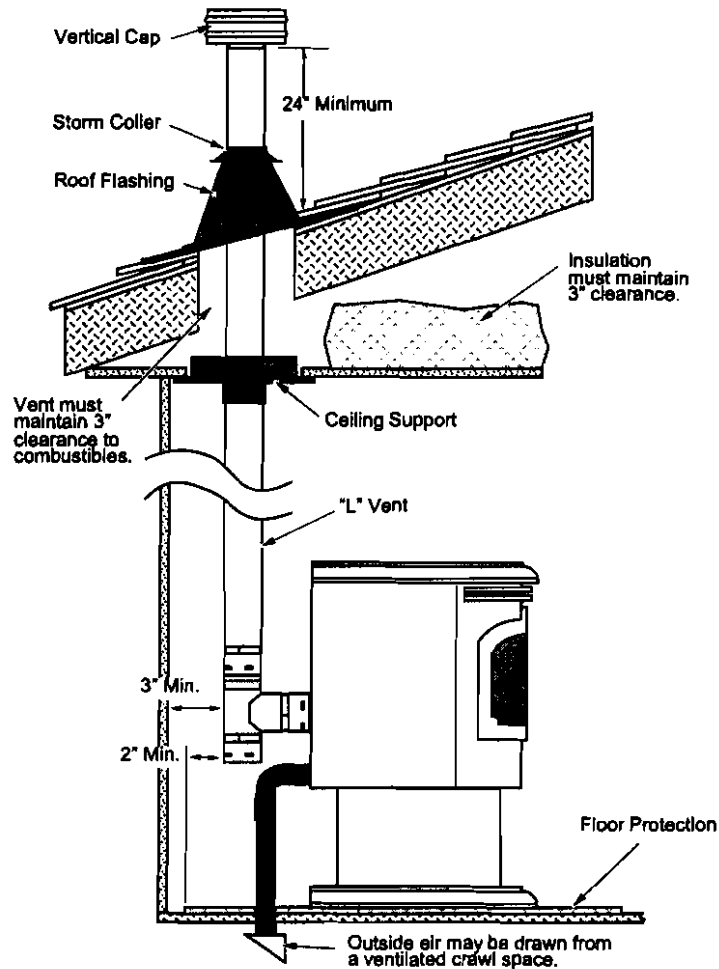
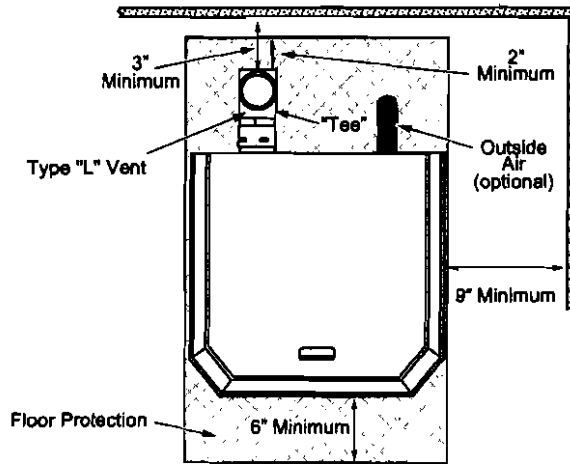
How to Adjust the Restrictor (for qualified installers only):



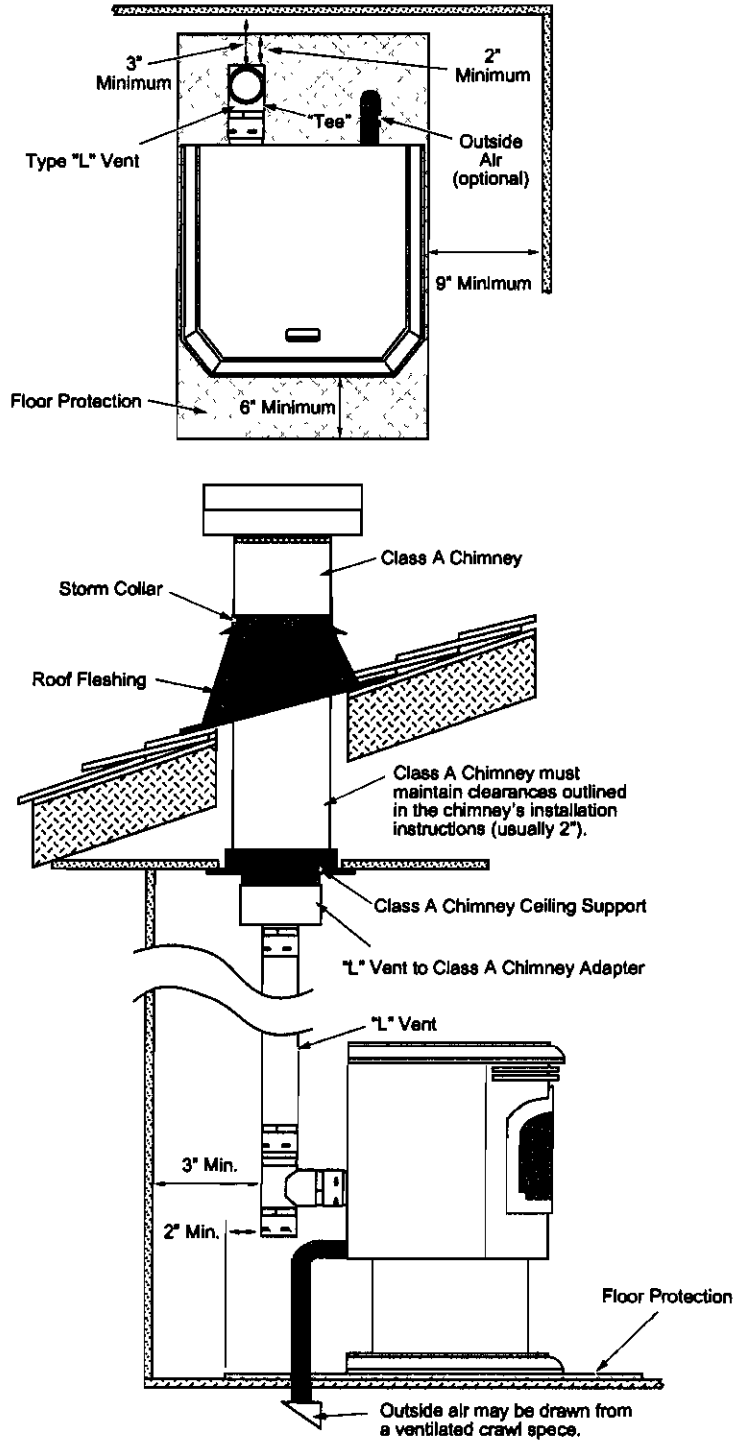
Installation Example: Direct "Through-the-wall" Installation



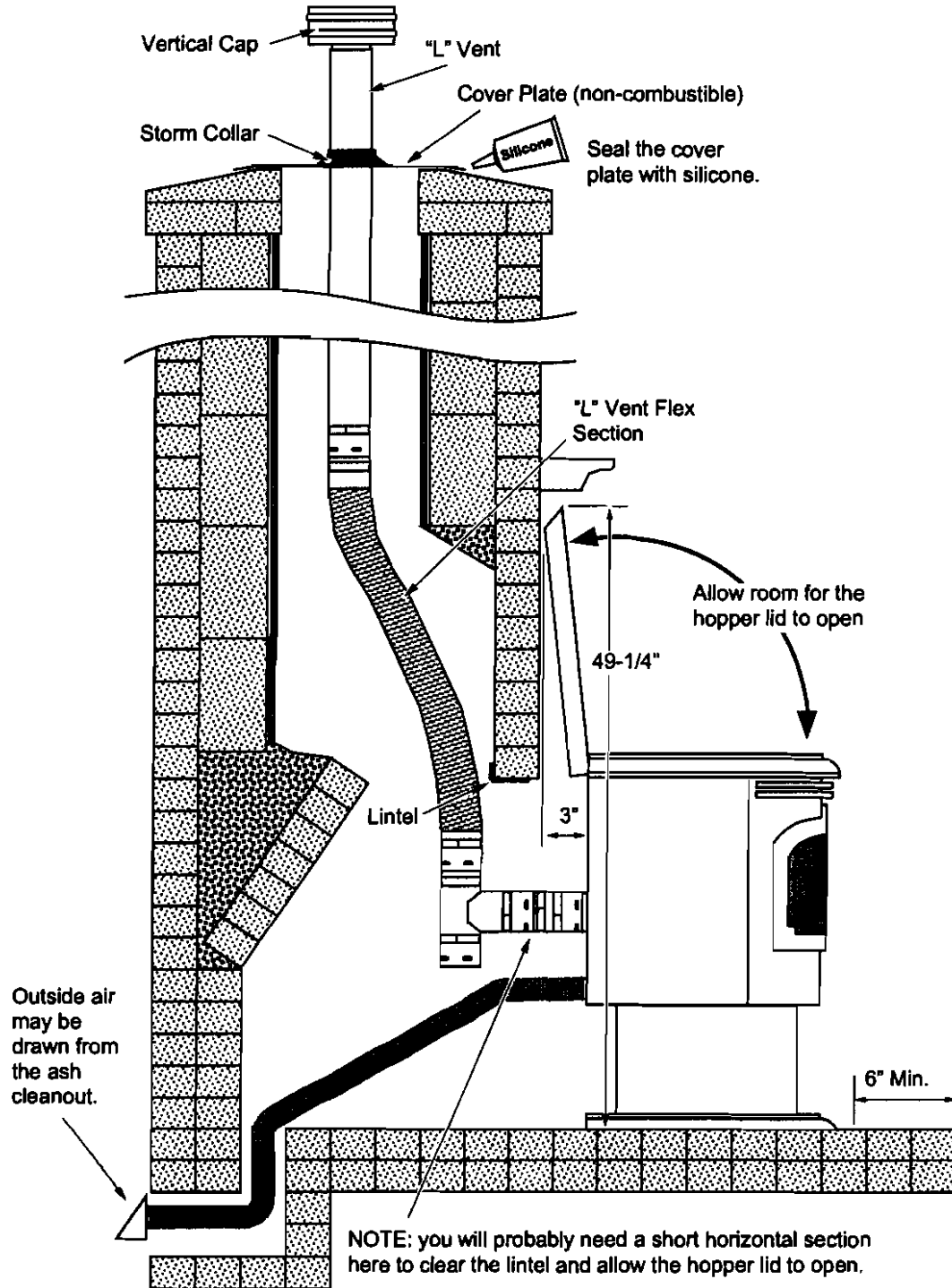
Installation Example: Interior Vertical Installation



Installation Example: Class A Chimney Retrofit



Installation Example: Hearth Fireplace (Masonry or Z.C. (metal))



WARNING - DO NOT REMOVE OR COVER THIS LABEL

Warnock Hersey



Listed Pelletized
Solid Fuel Burning Appliance
Also for Use in Mobile Homes
Model: Heritage Bay PS

Serial No: XXXXXXXXXX

Report No. 476-1407-00 (May, 1997)

Tested to: UL 1482/ULC S627/CSA B366.2/ASTM E 1509-85

Maximum Input Rating: 3.5 lbs (1.60kg)/hr

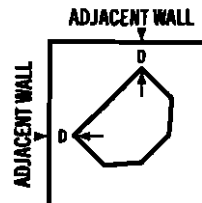
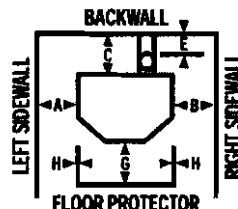
Electrical Rating: 115V, 60Hz, 3 Amp

This pellet fired appliance has been tested and listed for use in manufactured homes in accordance with Oregon Administrative Rules 814-23-900 through 814-23-909.

Install and use only in accordance with the manufacturer's installation and operating instructions. Contact local building or fire officials about restrictions and installation inspection in your area. Use only listed 3 in./75 mm or 4 in./100 mm diameter listed type "L" Vent complete with components. See manufacturer's installation instructions for precautions required for passing a vent through a combustible wall or ceiling. Do not connect this appliance to a vent serving another appliance.

Minimum Clearance to Combustible Materials (Measured to Stove Top)

	Interior Vertical Flue Installation	Horizontal Through the Wall Installation
Left Sidewall	A 9"	9"
Right Sidewall	B 9"	9"
Backwall	C **	3"
Corner	D 2"	2"
Flue Vent	E 3"	3"



Maximum alcove depth 48 in/1220 mm, min ceiling height 60 in/1525 mm.

Combustible floor must be protected by a non-combustible material, extending to the front (G) 6 in/150 mm and to the sides (H) 0 in/0 mm.

** This dimension will vary depending on brand of listed type "L" vent. See manual for details.

For use with 1/4 in/6 mm to 5/16 in/7 mm diameter pelletized wood fuels only.

Replace glass only with 5 mm ceramic glass.

Do not route power cord beneath heater. The space beneath the heater must not be obstructed. Outside combustion air is mandatory for mobile home installation. Do not obstruct combustion air openings. Operate only with viewing door and ash removal tray tightly closed. Keep all furnishings well away from heater.

Mfg. by TRAVIS INDUSTRIES, INC.
10850 117th PI N.E.
Kirkland, WA 98033

Lopi



CAUTION: HOT WHILE IN OPERATION. DO NOT TOUCH. CONTACT MAY CAUSE A CONSIDERABLE DISTANCE AWAY. SEE NAMEPLATE AND INSTRUCTIONS. DO NOT OVERFIRE. IF HEATER OR CHIMNEY CONNECTOR GLOWS, YOU ARE OVERFIRING. INSPECT AND CLEAN CHIMNEY AND CONNECTOR FREQUENTLY. UNDER CERTAIN CONDITIONS OF USE, CREOSOTE BUILDUP MAY OCCUR RAPIDLY. DO NOT OVERFIRE. IF UNIT SHUTS DOWN OFTEN YOU ARE OVERFIRING.

TYPE OF FUEL: PELLETIZED WOOD FUEL ONLY.