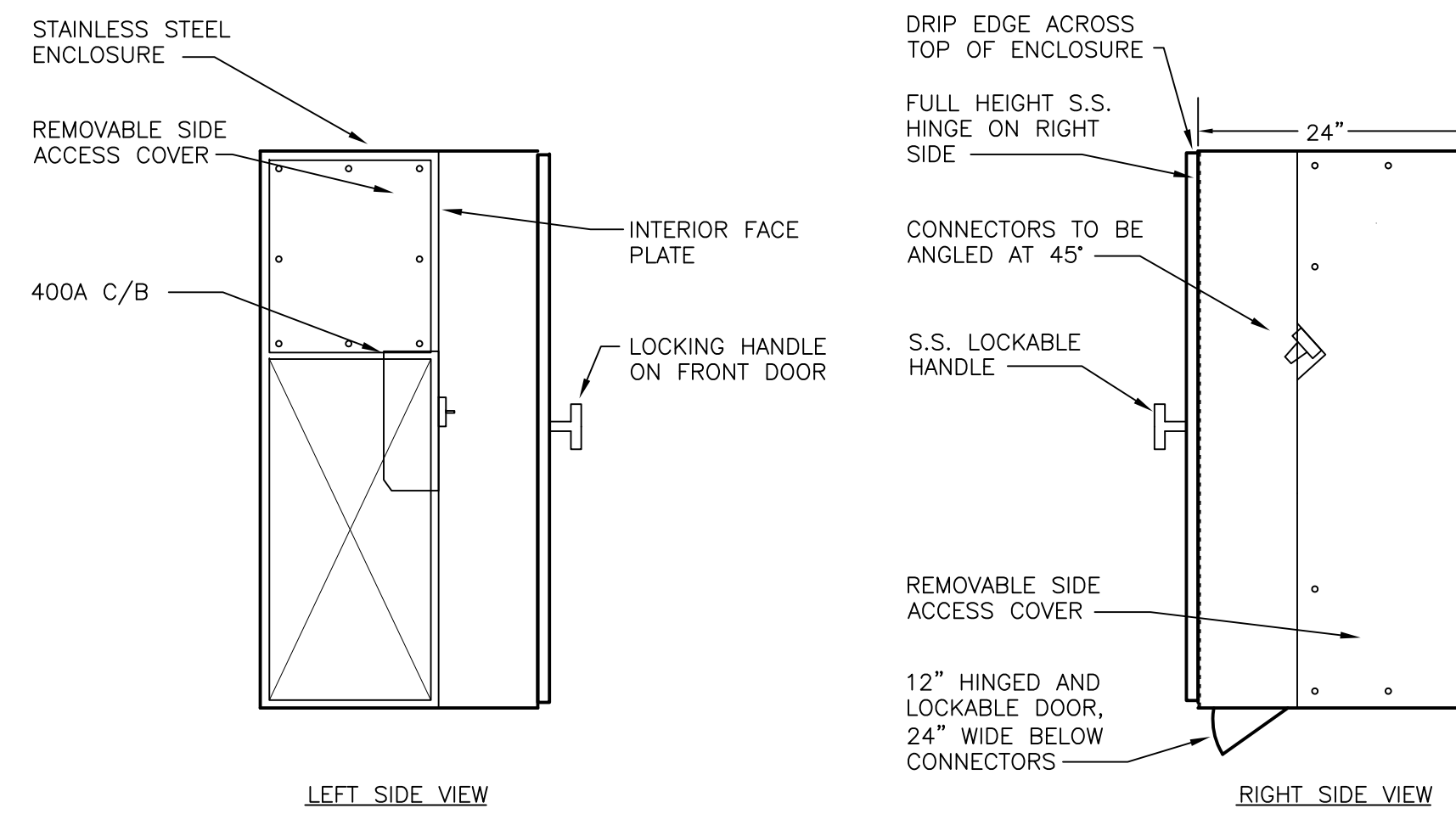


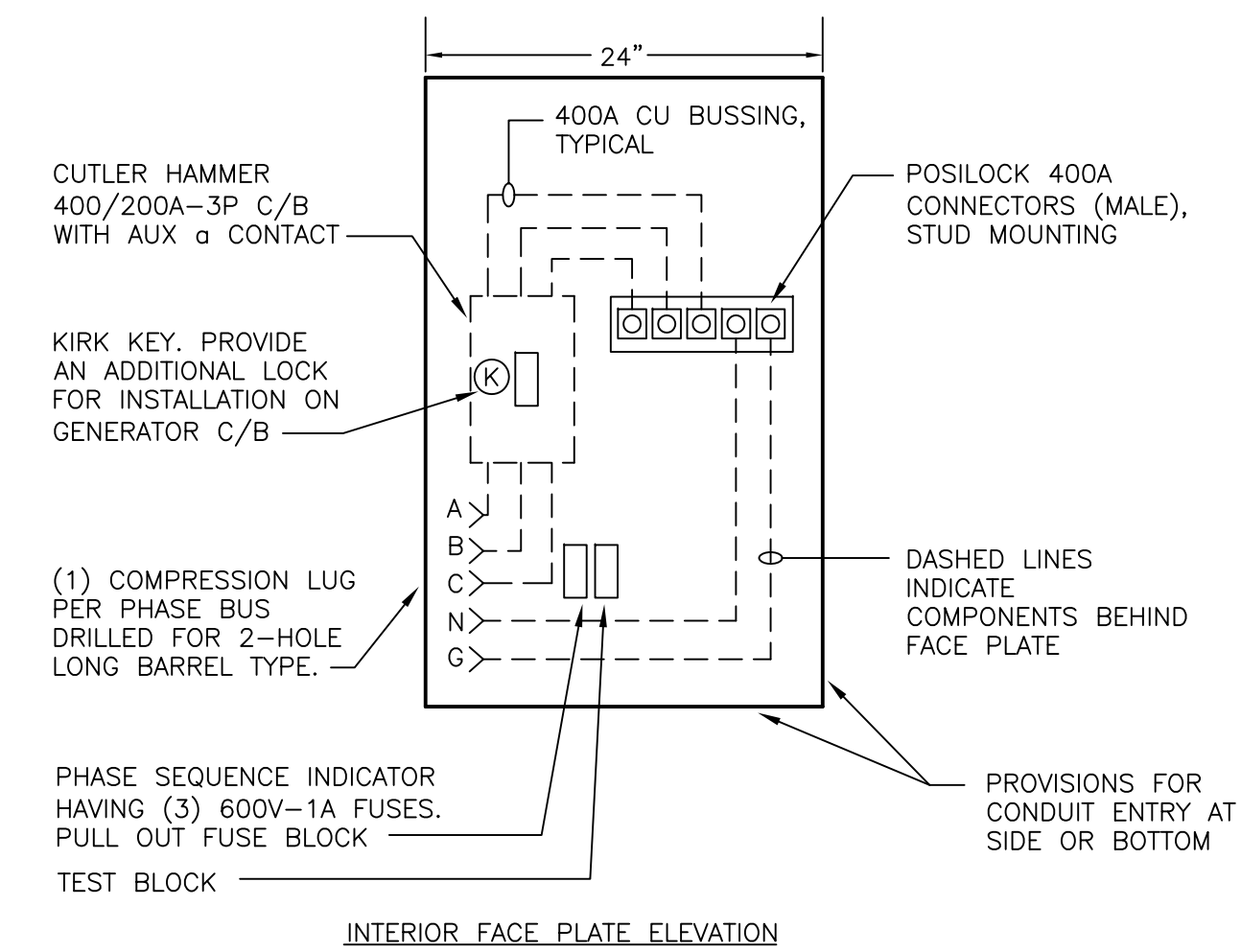
- NOTES:
1. ALL WIRING SHALL BE RUN IN 3/4" CONDUIT MINIMUM, NUMBER LABELED AT EACH END.
 2. COORDINATE CONDUIT ENTRY POINTS FOR GENERATOR WITH MANUFACTURERS DRAWING AND BASE FUEL TANK DETAILS.
 3. GENERATOR EQUIPMENT SHALL BE INSTALLED PER THE MANUFACTURERS GUIDELINES.

1
E804 GENERATOR CONDUIT RISER
NOT TO SCALE

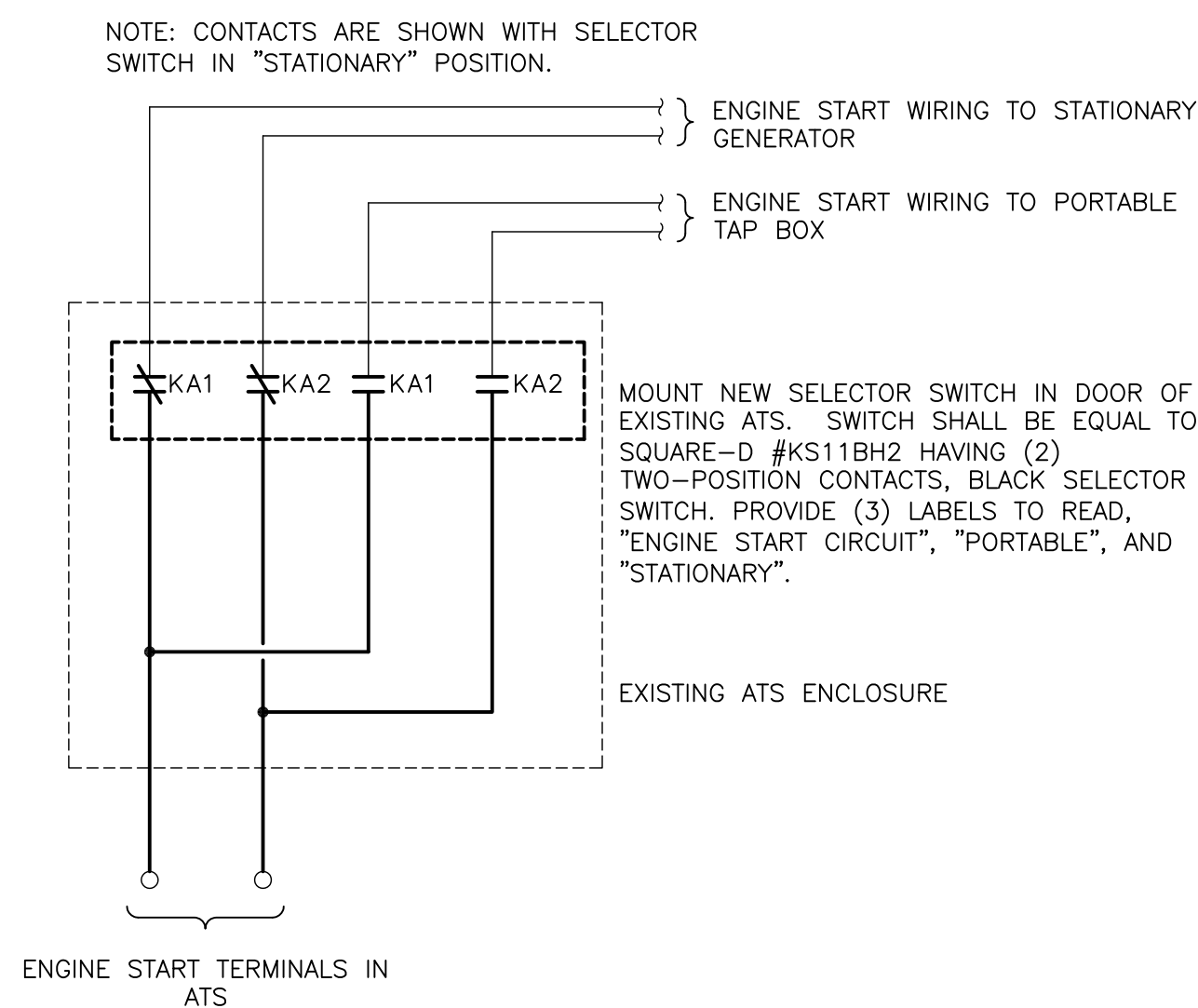


- NOTES:
1. SUBMIT SHOP DRAWINGS OF QUICK CONNECT PANEL TO ENGINEER FOR REVIEW.
 2. ENCLOSURE SHALL HAVE NEMA 4X RATING. BOTH ENCLOSURE AND HARDWARE SHALL BE TYPE 304 STAINLESS STEEL, 14 GAUGE (DESIGNATED SS ON THIS DETAIL).
 3. PANEL SHALL HAVE WARNING LABEL INDICATING VOLTAGE MAY BE PRESENT WITH BREAKER OPEN OR CLOSED.
 4. PROVIDE RECEPTACLES FOR THE ENGINE START CIRCUIT: BRYANT #70620-MB (MALE WITH LIFT COVER), AND ENGINE BLOCK HEATER; BRYANT #CS6369 (FEMALE).
 5. GENERATOR CONNECTION BOX SHALL BE FURNISHED BY A COMPANY SPECIALIZING IN FABRICATING CUSTOM BUILT SWITCHGEAR. A&M ASSOCIATES AND KINNEY ARE APPROVED VENDORS.
 6. PROVIDE METAL NAMEPLATE SHOWING RATING: 208/120V-200A-3 PH-4 WIRE PROVIDE ARC-FLASH WARNING LABEL.
 7. PROVIDE LABEL READING: "THIS CIRCUIT BREAKER MAY BE ENERGIZED FROM THE PORTABLE OR BUILDING GENERATOR. LOCK OUT ALL GENERATOR SOURCES BEFORE PERFORMING ANY WORK WITHIN CABINET."
 8. PHASE SEQUENCE INDICATOR SHALL BE RATED 208V. METER SHALL BE CROMPTON #077 SERIES. MODIFY CARD TO SWAP "CORRECT" AND "INCORRECT" NOTATION IF BUILDING HAS CCW 1-3-2 SEQUENCE.

1
E804 PORTABLE TAP BOX DETAILS
N.T.S.



PHYSICAL LAYOUT
NOT TO SCALE



2
E804 ENGINE START SELECTOR SWITCH
NOT TO SCALE

2015.01.083

REVISIONS / AUTHORIZATIONS		
NO.	REVISIONS / AUTHORIZATIONS	DATE
BID SET		08/30/17

PROPRIETARY AT&T INFORMATION
NOT FOR GENERAL USE OR DISCLOSURE OUTSIDE OF AT&T
THIS INFORMATION MAY ONLY BE USED BY AUTHORIZED PERSONNEL OF THE LOCAL GOVERNMENT AGENCY IN CONNECTION WITH APPLICATION FOR PERMITS AND AUTHORIZATIONS FOR BUILDINGS, CONSTRUCTION, AND/OR ZONING CHANGES.

DRAWINGS PREPARED FOR
AT&T CORPORATE REAL ESTATE

PROJECT TITLE:
TELECOMMUNICATIONS HUT
UNION STATION PLAZA
240-280 SAINT JOHN ST
PORTLAND

PTLFME01 Archoid AAB7WJ

SHEET TITLE:
ELECTRICAL DETAILS

AT&T PROJECT NUMBER: E15823	DATE: 08/30/2017	SCALE: AS NOTED
DRAWN BY: JAP	CHECKED BY: SJM	
SHEET: 13	OF: 15 SHEETS	SHEET NO. E804
AT&T DRAWING NO.:		
GREGG MIRANDO		