

ALPHAarchitects
 17 CHESTNUT STREET
 PORTLAND, ME 04101
 PHONE: 207.761.9500
 FAX: 207.761.9595
 design@alphaarchitects.com

© COPYRIGHT

Reuse or reproduction of the contents of this document is not permitted without written permission of ALPHA ARCHITECTS



Coastal Trading-U.S.P.
 264 St. John Street
 Portland, ME 04102

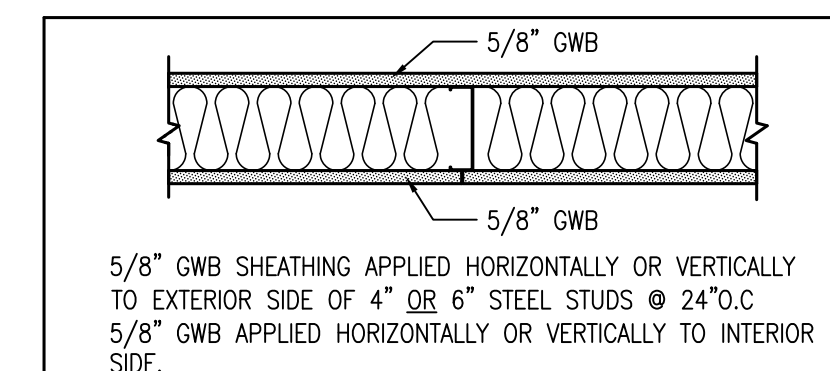
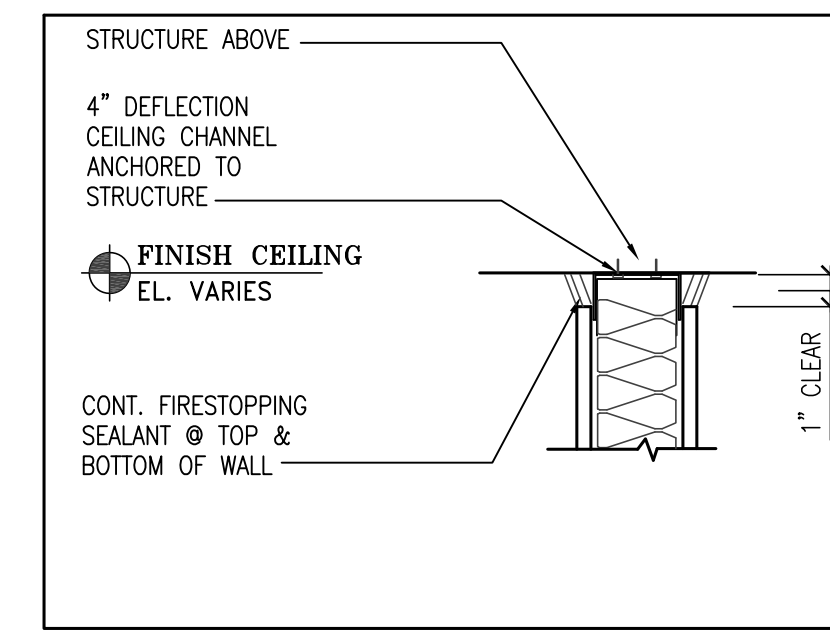
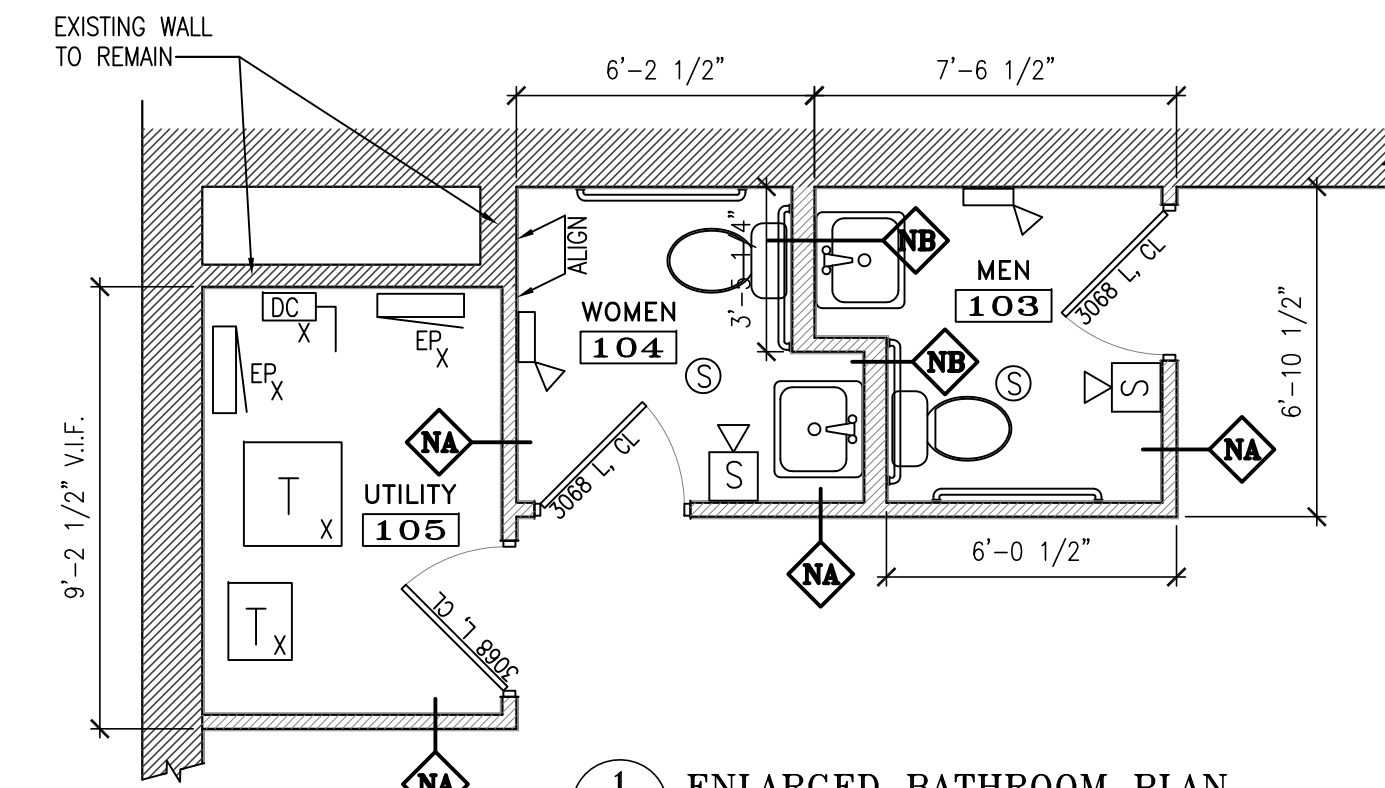
JOB: 15124

ISSUE DATE

PRELIM	03-25-15
P BOARD	-
SFMO	-
CD's	-
REV. 1	-
PRINT	04-06-15

FLOOR & LIFE SAFETY PLANS

A1.1



- 4" METAL STUDS NOT RATED NA
- 6" METAL STUDS NOT RATED NB

PARTITION TYPES:
 SCALE: NTS

FIRE PROTECTION LEGEND

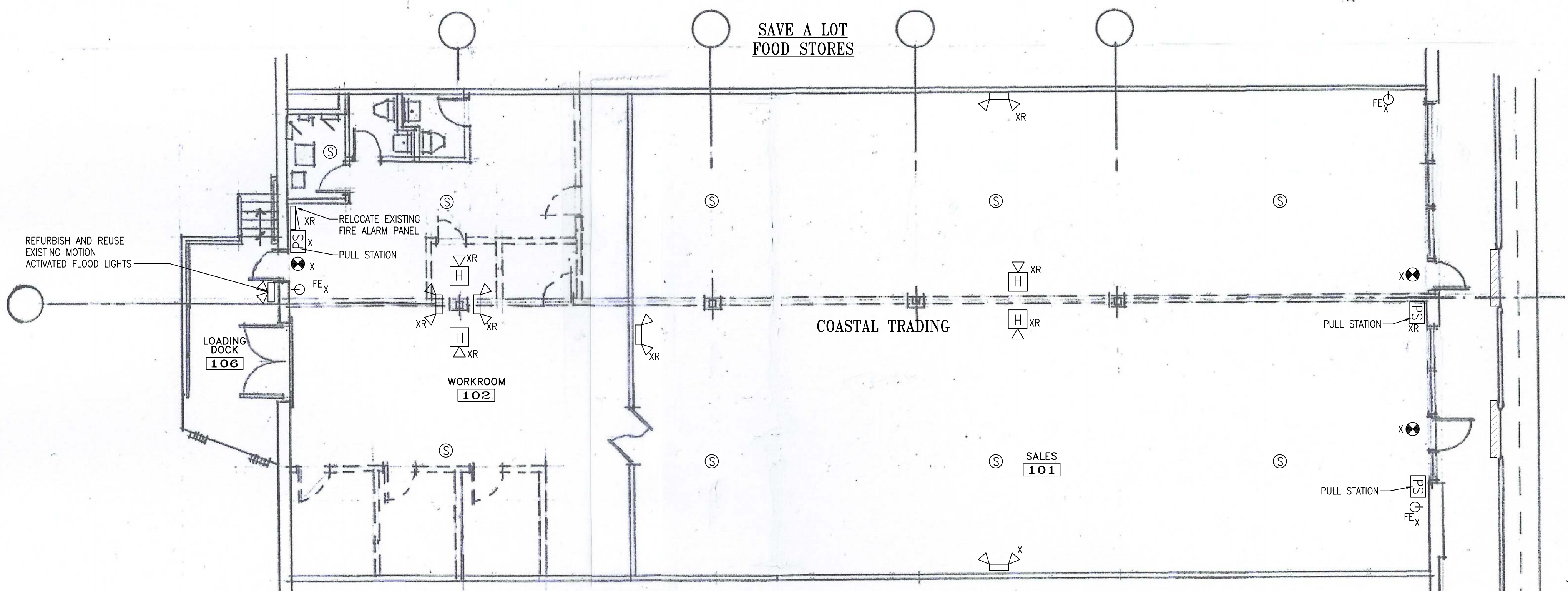
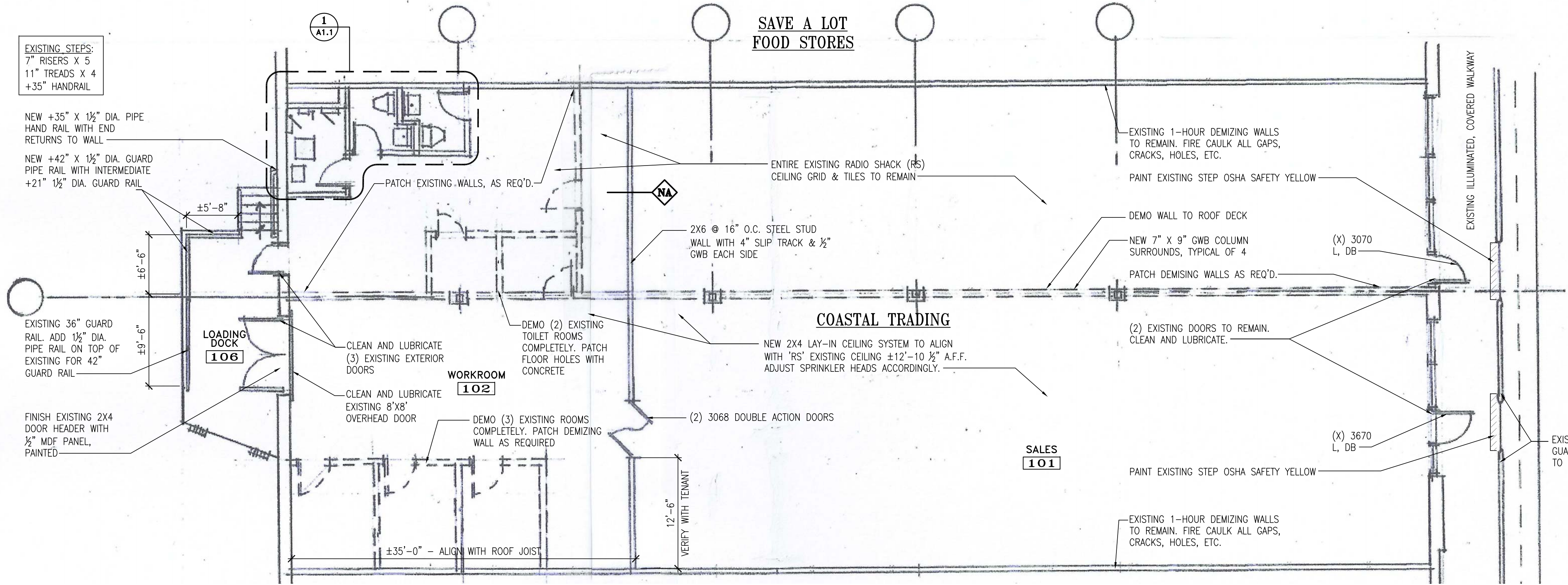
- FE FIRE EXTINGUISHER 10# ABC
- FE-K FIRE EXTINGUISHER 10# K
- EXIT LIGHT
- STROBE ONLY WITH CANDELLA RATING AS NOTED
- HORN STROBE WITH CANDELLA RATING AS NOTED
- DUAL EMERGENCY LIGHT
- SINGLE EMERGENCY LIGHT
- SMOKE DETECTOR (CEILING)
- HEAT DETECTOR (CEILING)
- COMBINATION LIGHT/EXHAUST FAN
- FIRE ALARM MASTER CONTROL PANEL
- PULL STATION
- EXTERIOR EGRESS LIGHT
- NAE NOT AN EXIT SIGN W RAISED BRILLE
- VAP VAN ACCESSIBLE

NOTES:

- ALL EMERGENCY LIGHTS MUST BE POWERED BY BATTERY BACK-UP OR GENERATOR PER NFPA 101.
- HVAC PER NFPA 90A
- EMERGENCY LIGHTS TO AVERAGE 1 FOOTCANDLE AND .1 FOOTCANDLE MINIMUM.

ABBREVIATIONS:

- C.O = CASER OPENING
- CL = DOOR CLOSER
- WS = WEATHER STRIPPING SYSTEM
- DB = DEAD BOLT WITH THUMBTURN
- L = ADA LEVER
- X = EXISTING
- XR = EXISTING TO BE RELOCATED



04-06-15