

Reuse or reproduction of the contents of this document is not permitted without written permission of ALPHA ARCHITECTS



Portland Gear
244 St. John Street - Union Station Plaza
Portland, ME 04101

JOB: 15122

ISSUE DATE	
P BOARD	-
SFMO	-
CD's	
REV. 2	
REV 3	
PRINT	03/27/2015

FLOOR PLAN

A1.1

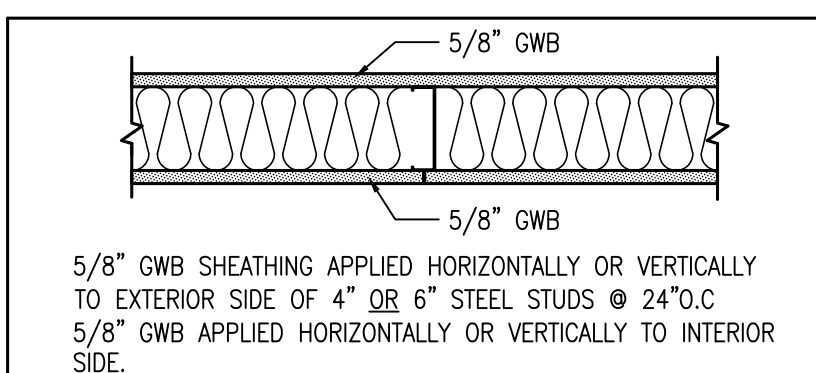
FIRE PROTECTION LEGEND

	FIRE EXTINGUISHER 10# ABC
	FIRE EXTINGUISHER 10# K
	EXIT LIGHT
	STROBE ONLY WITH CANDELLA RATING AS NOTED
	HORN STROBE WITH CANDELLA RATING AS NOTED
	DUAL EMERGENCY LIGHT
	SINGLE EMERGENCY LIGHT
	SMOKE DETECTOR (CEILING)
	HEAT DETECTOR (CEILING)
	COMBINATION LIGHT/EXHAUST FAN
	FIRE ALARM MASTER CONTROL PANEL
	PULL STATION
	EXTERIOR EGRESS LIGHT
	'NOT AN EXIT' SIGN W RAISED BRAILLE
	VAN ACCESSIBLE

- NOTES:**
- ALL EMERGENCY LIGHTS MUST BE POWERED BY BATTERY BACK-UP OR GENERATOR PER NFPA 101.
 - HVAC PER NFPA 90A
 - EMERGENCY LIGHTS TO AVERAGE 1 FOOTCANDLE AND .1 FOOTCANDLE MINIMUM.

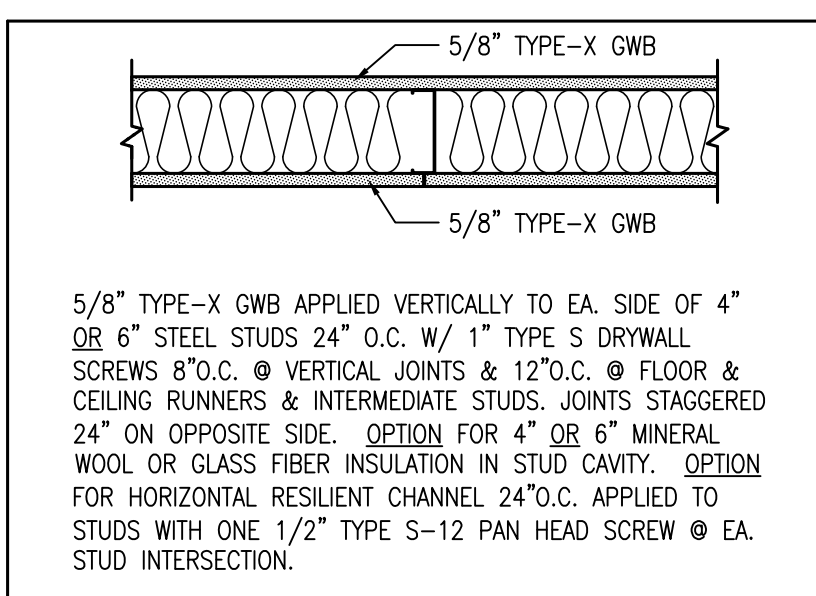
ABBREVIATIONS:

C.O	= CASER OPENING
CL	= DOOR CLOSER
WS	= WEATHER STRIPPING SYSTEM
DB	= DEAD BOLT
L	= ADA LEVER
X	= EXISTING



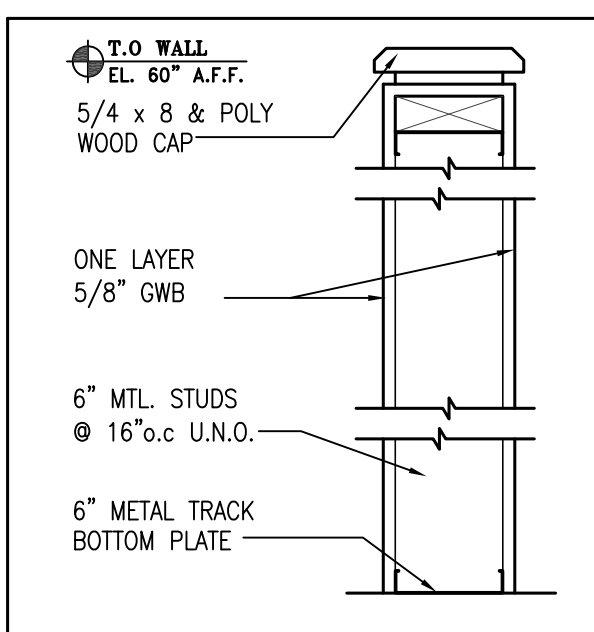
4" METAL STUDS
NOT RATED

6" METAL STUDS
NOT RATED



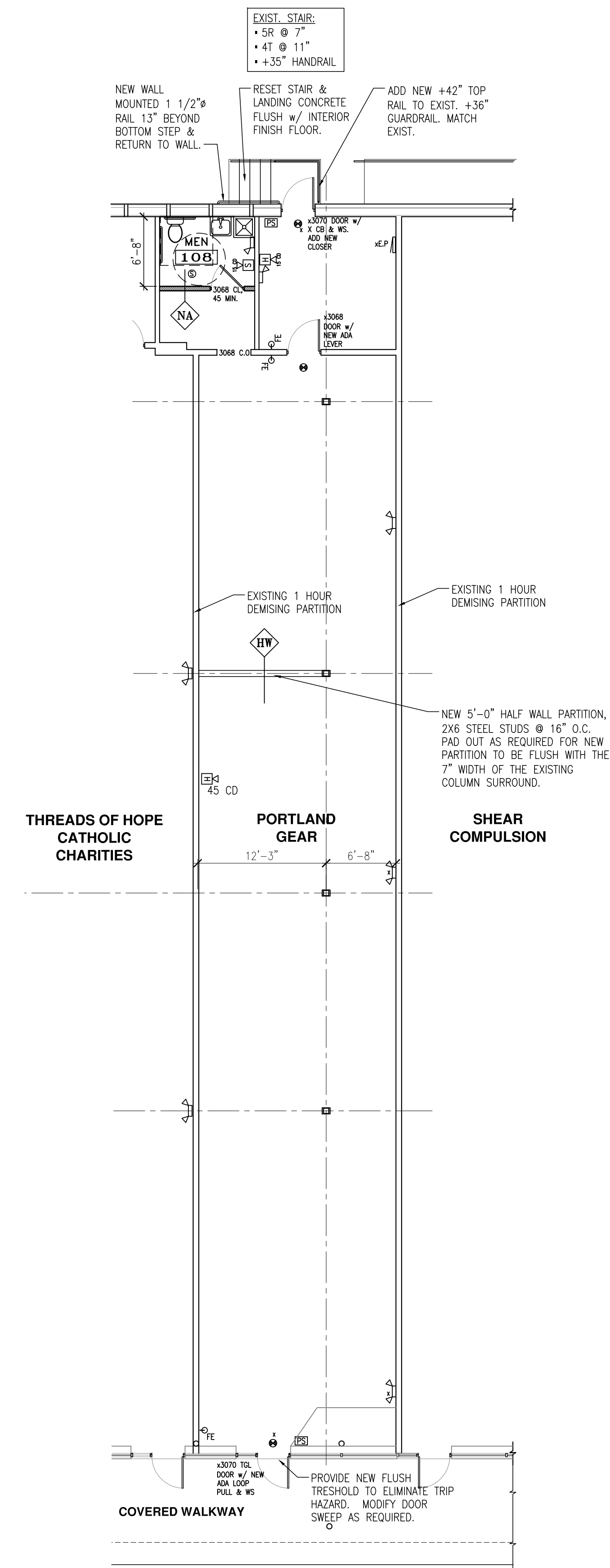
4" METAL STUDS
1 HOUR WALL - UL #V438

6" METAL STUDS
1 HOUR WALL - UL #V438



HALF WALL DETAIL
NOT RATED

PARTITION TYPES:
SCALE: NTS



FLOOR PLAN
SCALE: 1/8" = 1'-0"

03/27/2015