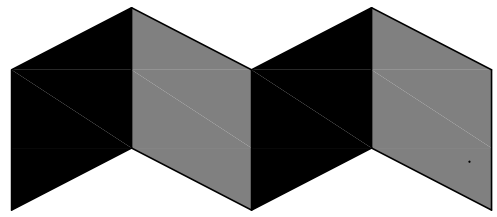


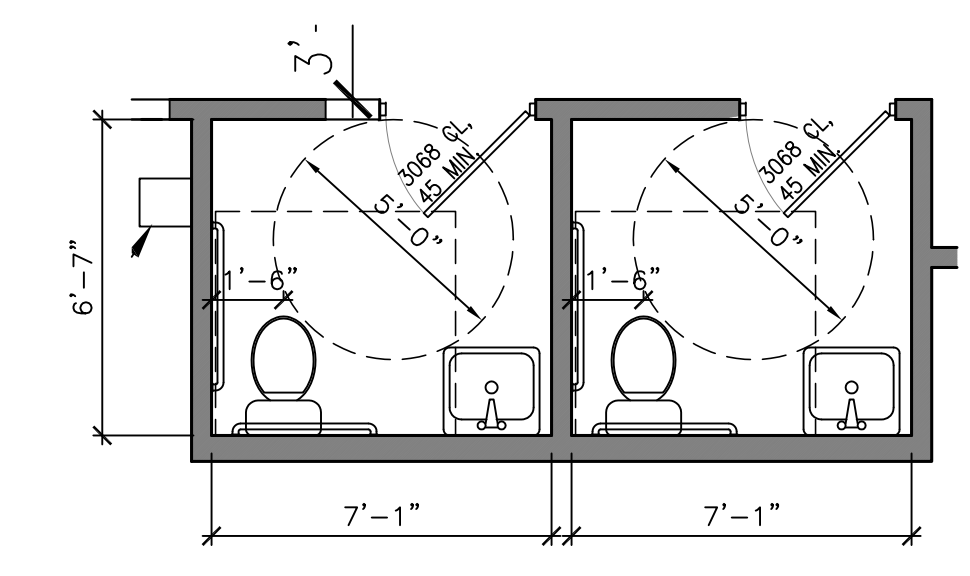
Jan Mee Restaurant



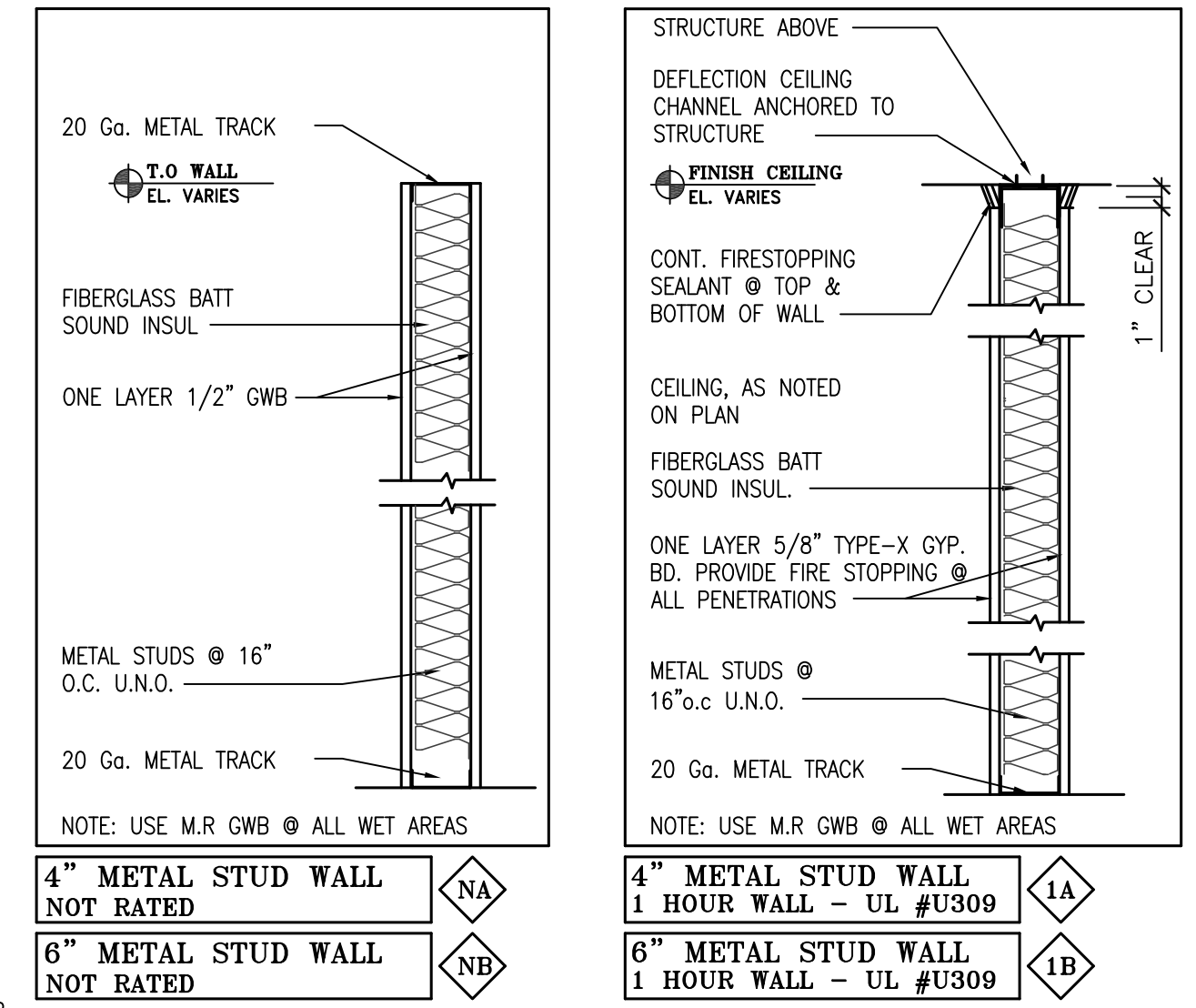
ALPHAarchitects
 17 CHESTNUT STREET
 PORTLAND, ME 04101
 PHONE: 207.761.9500
 FAX: 207.761.9595
 design@alphaarchitects.com

COPYRIGHT
 Reuse or reproduction of the contents of this document is not permitted without written permission of ALPHA ARCHITECTS

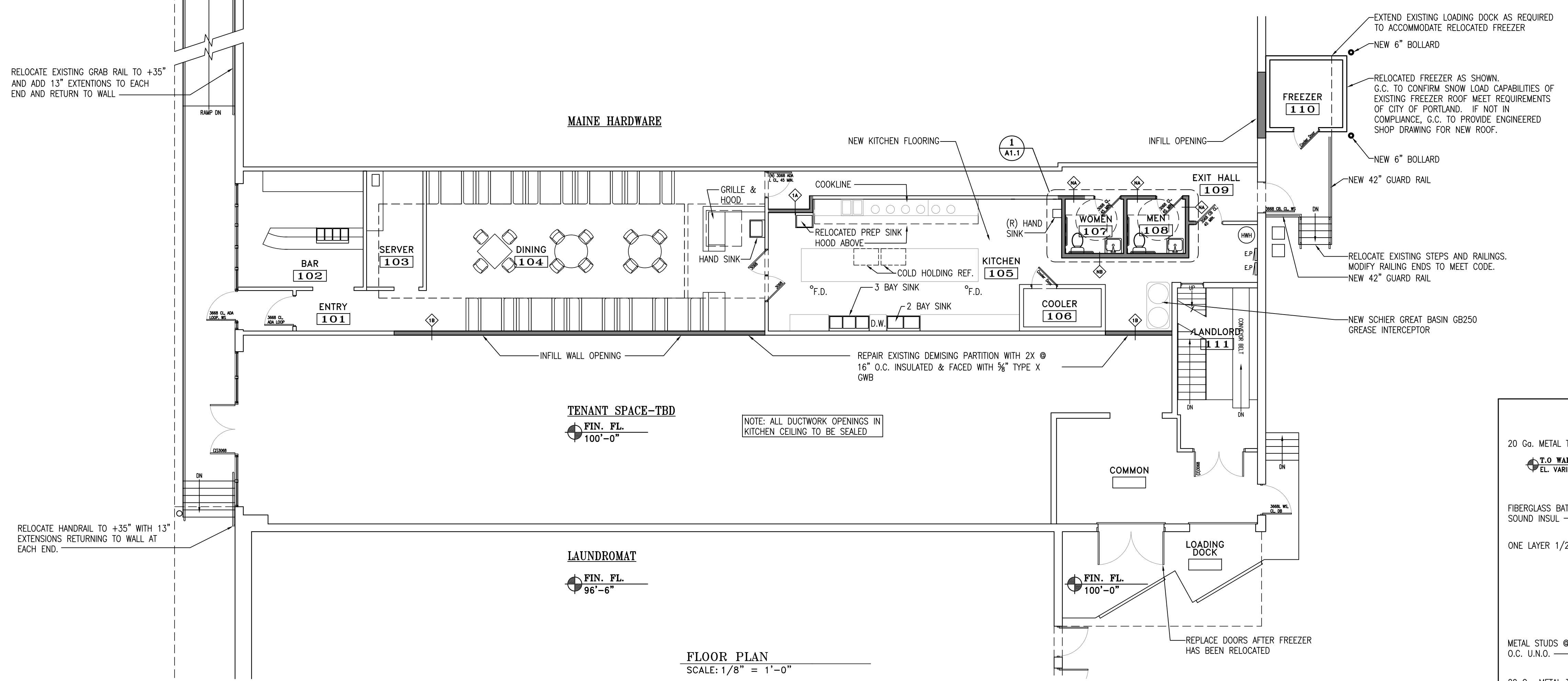
FOR CONSTRUCTION



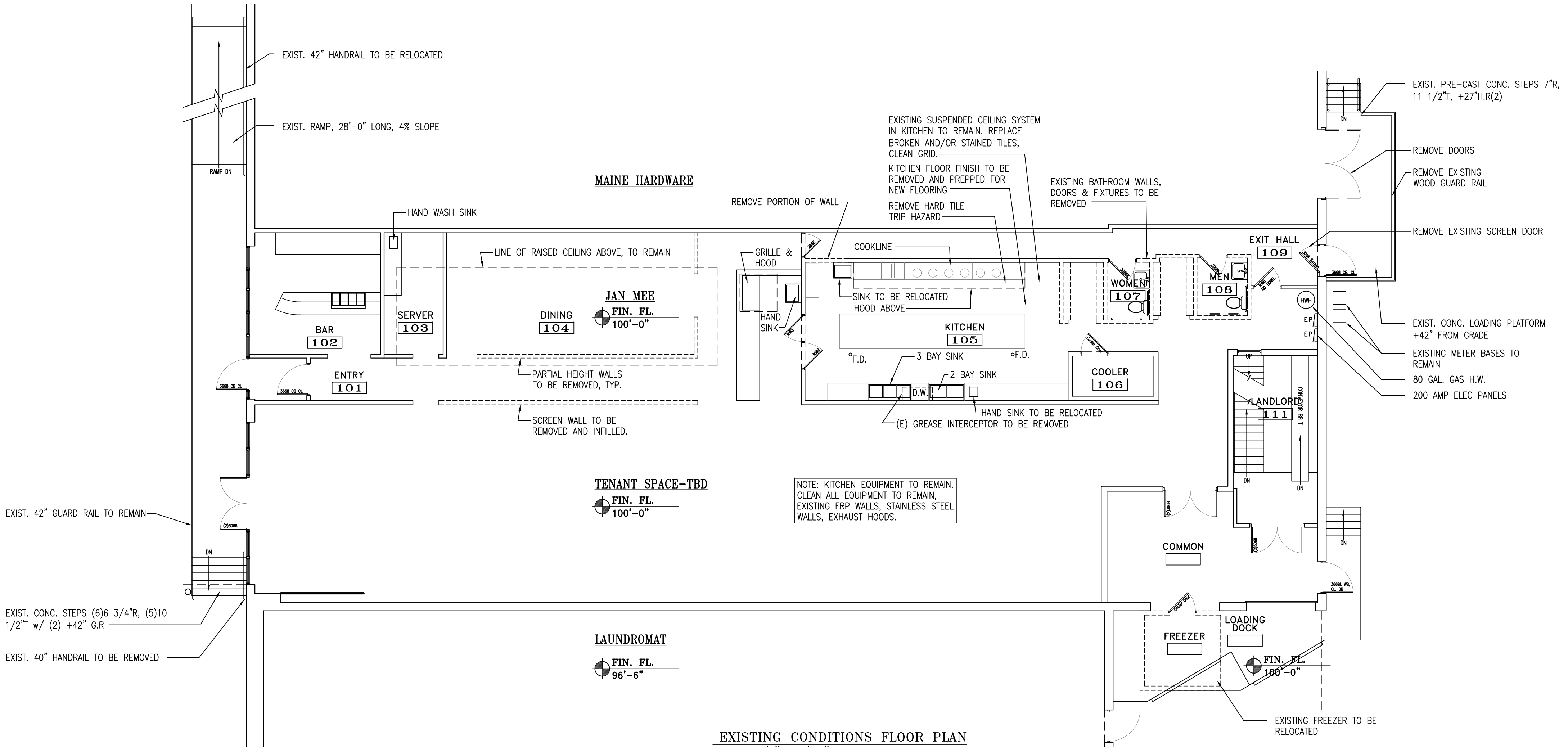
1 DETAIL BATHROOM FLOOR PLANS
 A1.1 SCALE: 1/4" = 1'-0"



PARTITION TYPES:
 SCALE: NTS



FLOOR PLAN
 SCALE: 1/8" = 1'-0"



EXISTING CONDITIONS FLOOR PLAN
 SCALE: 1/8" = 1'-0"

Restaurant fka JAN MEE

280 St. John Street - Union Square Plaza
 Portland, ME 04101

JOB: 14132

ISSUE DATE	
P BOARD	NR
SFMO	NR
CD's	
REV. 2	
REV 3	
PRINT	09/15/2014

EXISTING CONDITIONS AND FLOOR PLAN

A1.1

09-15-14