

ISSUE DATE	-	PRELIM.	-	FINAL	-
------------	---	---------	---	-------	---

JOB: Ø3224

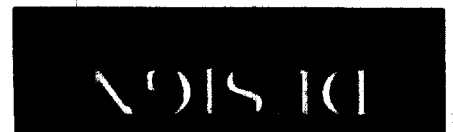
LEASE SPACE # 256

Union Station Plaza
Portland, Maine

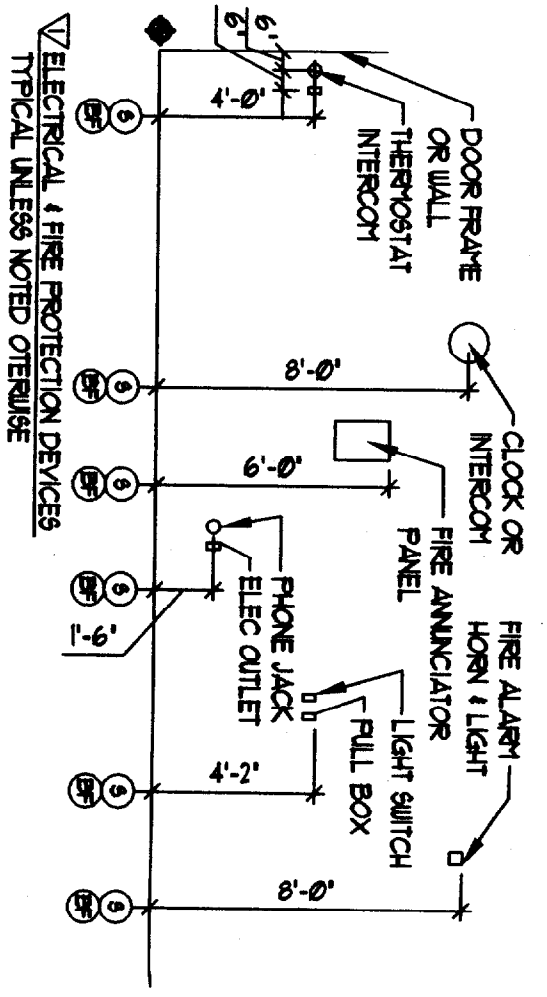


© COPYRIGHT
Reuse or reproduction of the contents of this document is not permitted without written permission of PORT CITY DESIGN

43 DEERING STREET
PORTLAND, ME 04101
PHONE: 207.761.9500
FAX: 207.761.9595
design@portcitydesign.net



TYPICAL UNLESS OTHERWISE NOTED

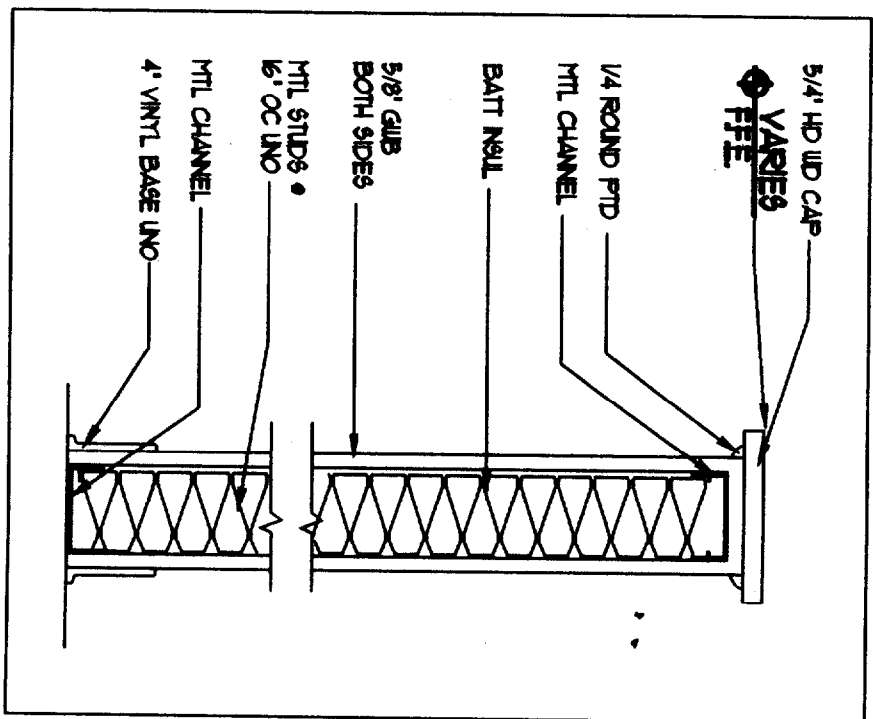


LEGEND

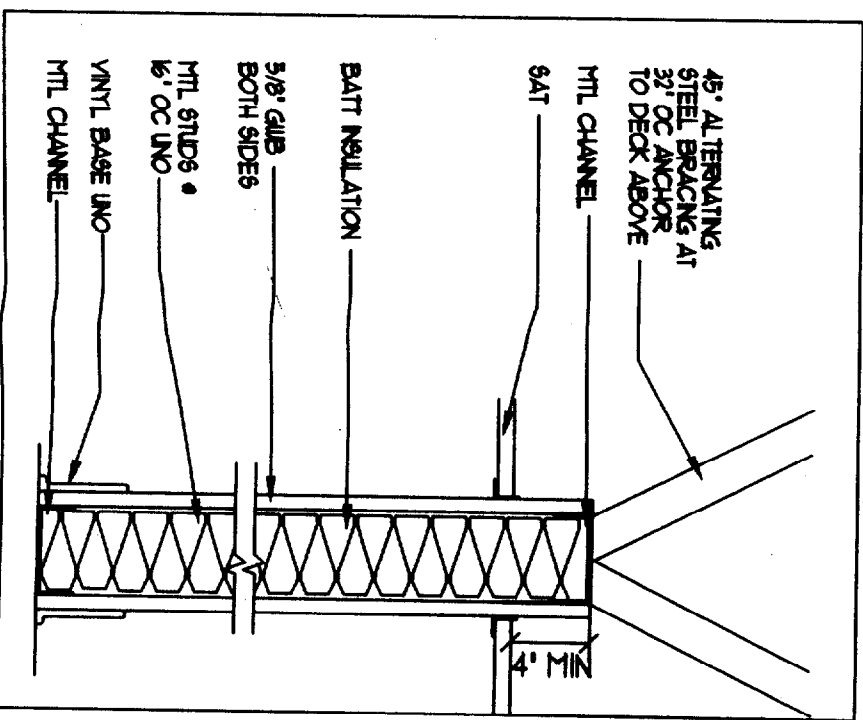
- ③ STANDARD MOUNTING HEIGHT
- Ⓟ BARRIER FREE ADULT MOUNTING HEIGHT
- ◆ FINISH FLOOR LINE

- NOTE**
1. MOUNT ALL FIXTURES AT STANDARD MOUNTING HEIGHT UNLESS INDICATED ON PLAN BY A S SYMBOL. A B SYMBOL AT ANY ROOM SHALL INCLUDE ONE OF ANY FIXTURE AND ACCESSORY WITHIN THE ROOM.
 2. ALL SINKS TO HAVE ADA LEVER HANDLES.
 3. WRAP ALL EXPOSED PIPES BELOW SINKS.

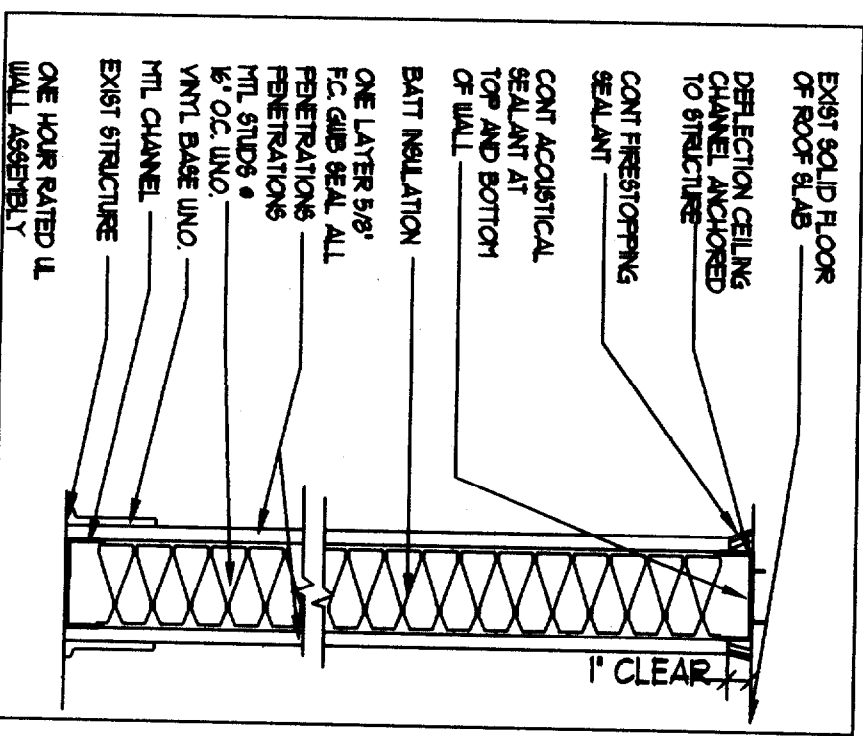
TYP BARRIER FREE REQUIREMENTS



3 5/8" MTL STUD HALF WALL HW



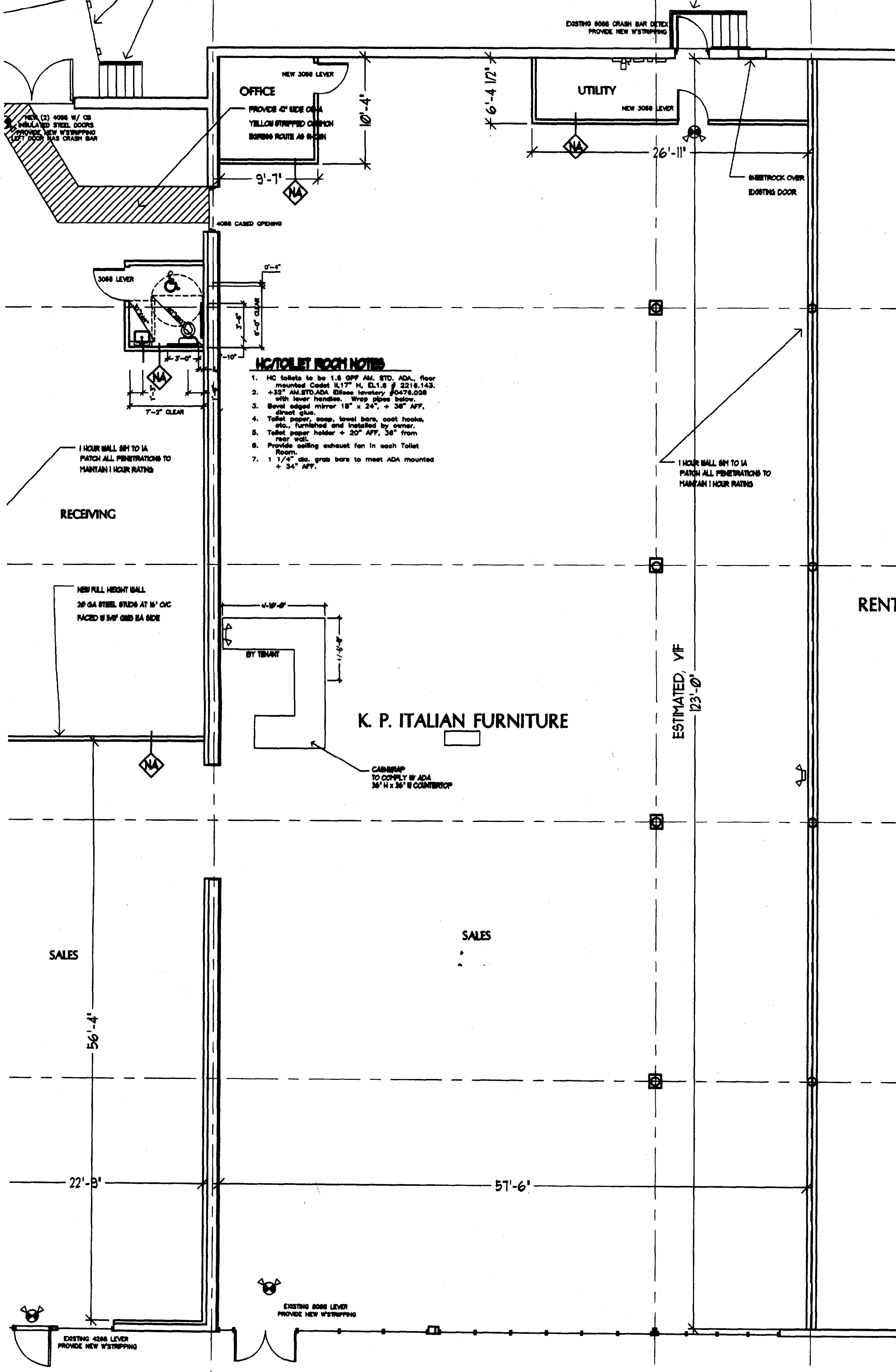
3 5/8" METAL STUD WALL NOT RATED NA



3 5/8" METAL STUD-FULL HGT ONE HOUR RATED 1A

LEGEND

- ⚡ EMERGENCY LIGHT
- ⊖ FE FIRE EXTINGUISHER
- ⊖ EXIT SIGN
- ⚡ EXIT SIGN W/ E. LIGHTS
- NAE NOT AN EXIT SIGN
- W VAN ACCESSIBLE
- VAN ACCESSIBLE



EXISTING 3088 CRASH BAR DETEX
PROVIDE NEW W/STRIPPING

OFFICE

UTILITY

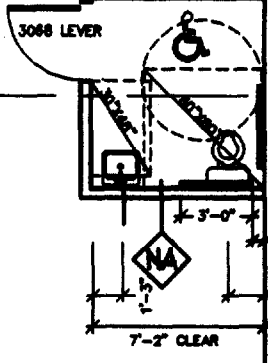
NEW (2) 4088 W/ CB
INSULATED STEEL DOORS
PROVIDE NEW W/STRIPPING
LEFT DOOR HAS CRASH BAR

NEW 3088 LEVER
PROVIDE 4" WIDE ORANGE
YELLOW STRIPPED CORNER
BORNSO ROUTE 46 84-281

NEW 3088 LEVER

SHETROCK OVER
EXISTING DOOR

4088 CASSED OPENING



HC/TOILET ROOM NOTES

1. HC toilets to be 1.6 GPF AM. STD. ADA., floor mounted Cadet II, 17" H, EL. 1.6 # 2216.143.
2. +32" AM. STD. ADA. Elifese lavatory #0478.028 with lever handles. Wrap plex below.
3. Bevel edged mirror 18" x 24", + 36" AFF, direct glue.
4. Toilet paper, soap, towel bars, coat hooks, etc., furnished and installed by owner.
5. Toilet paper holder + 20" AFF, 36" from rear wall.
6. Provide ceiling exhaust fan in each Toilet Room.
7. 1 1/4" dia. grab bars to meet ADA mounted + 34" AFF.

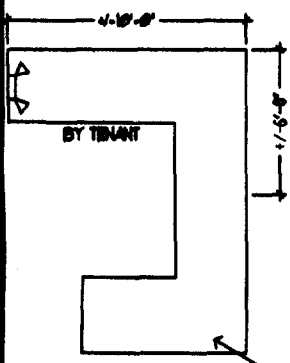
1 HOUR WALL 8M TO IA
PATCH ALL PENETRATIONS TO
MAINTAIN 1 HOUR RATINGS

RECEIVING

1 HOUR WALL 8M TO IA
PATCH ALL PENETRATIONS TO
MAINTAIN 1 HOUR RATINGS

NEW FULL HEIGHT WALL
20 GA STEEL STUDS AT 16" O.C
FACED W/ 5/8" GMB EA SIDE

RENT



K. P. ITALIAN FURNITURE

CABINETS
TO COMPLY W/ ADA
36" H x 36" W COUNTERTOP

ESTIMATED, VIF
123'-0"

SALES

SALES

56'-4"

22'-8"

57'-6"

EXISTING 3088 LEVER
PROVIDE NEW W/STRIPPING

EXISTING 4288 LEVER
PROVIDE NEW W/STRIPPING

SIDEWALK

- EXISTING STAIR

ADE

EXISTING 6088 LEVEL

EXIST'G STAIR AND HANDRAIL

EXIST'G ELEC. PANELS AND TRANSFORMER

EXIST'G DOOR BOLTED SHUT

1'-4 1/2" VERIFY HEAD

X

EXISTING CEILING MOUNTED VERIFY LOCATION

STOCK

3088 LEVEL 45 MIN DOOR SYSTEM

EXISTING 3' RAISED CONCRETE SLAB OVERFOUR

K. P. ITALIAN FURNITURE

RENTAL ZC

57'-6"

ESTIMATED VIF 123'-0"

EXISTING 6088 LEVEL PROVIDE NEW W/STRIPPING

X ⊗ CL

